

US00D690790S

(12) **United States Design Patent**  
**Wortley et al.**

(10) **Patent No.:** **US D690,790 S**  
(45) **Date of Patent:** **\*\* Oct. 1, 2013**

(54) **APPLICATOR**

(75) Inventors: **Russell B. Wortley**, Kenosha, WI (US);  
**Michael E. Klinkhammer**, Racine, WI  
(US); **Douglas A. Soller**, Racine, WI  
(US); **William J. Rice**, Antioch, IL (US);  
**Tanya M. Jacobs**, Deforest, WI (US)

(73) Assignee: **S.C. Johnson & Son, Inc.**, Racine, WI  
(US)

(\*\*) Term: **14 Years**

(21) Appl. No.: **29/424,844**

(22) Filed: **Jun. 15, 2012**

(51) **LOC (9) Cl.** ..... **23-01**

(52) **U.S. Cl.**  
USPC ..... **D23/208**

(58) **Field of Classification Search**  
USPC ..... D23/207, 208; D9/424; 206/0.5;  
4/223, 225.1, 227.1, 227.2; 239/34, 53  
See application file for complete search history.

(56) **References Cited**

U.S. PATENT DOCUMENTS

|           |     |         |                |         |
|-----------|-----|---------|----------------|---------|
| 3,386,793 | A   | 6/1968  | Stanton        |         |
| 3,424,380 | A * | 1/1969  | Curran         | 239/60  |
| 3,618,143 | A * | 11/1971 | Hill et al.    | 4/227.1 |
| 3,860,348 | A   | 1/1975  | Doyle          |         |
| 4,040,515 | A * | 8/1977  | Hessel et al.  | 206/0.5 |
| 4,254,871 | A   | 3/1981  | Poore          |         |
| 4,362,000 | A   | 12/1982 | Poore          |         |
| D293,263  | S * | 12/1987 | Ronayne        | D23/208 |
| 4,963,045 | A   | 10/1990 | Willcox        |         |
| 5,019,346 | A   | 5/1991  | Richter et al. |         |
| 5,312,624 | A   | 5/1994  | Richter et al. |         |
| D400,642  | S * | 11/1998 | Morice et al.  | D23/208 |
| 6,037,319 | A   | 3/2000  | Dickler et al. |         |
| 6,136,776 | A   | 10/2000 | Dickler et al. |         |
| D436,532  | S   | 1/2001  | Richardson     |         |

|           |      |         |                    |         |
|-----------|------|---------|--------------------|---------|
| 6,378,274 | B1   | 4/2002  | Harbour            |         |
| 6,499,597 | B2   | 12/2002 | Edwards et al.     |         |
| D479,097  | S    | 9/2003  | Willis             |         |
| 6,667,286 | B1   | 12/2003 | Dettinger et al.   |         |
| 6,898,921 | B2   | 5/2005  | Duffield           |         |
| 6,948,193 | B2 * | 9/2005  | Hsu                | 4/227.1 |
| 7,105,478 | B2   | 9/2006  | Guzmann et al.     |         |
| 7,108,440 | B1   | 9/2006  | Gruenbacher et al. |         |
| 7,189,686 | B2   | 3/2007  | Burt et al.        |         |
| 7,243,798 | B2   | 7/2007  | Buss               |         |
| 7,273,841 | B2   | 9/2007  | Colurciello et al. |         |
| 7,424,797 | B2   | 9/2008  | Duffield           |         |

(Continued)

FOREIGN PATENT DOCUMENTS

|    |         |    |        |
|----|---------|----|--------|
| EP | 2141221 | A1 | 1/2010 |
| EP | 1901972 | B1 | 3/2010 |

(Continued)

OTHER PUBLICATIONS

PCT/US2011/001411 International Search Report dated Nov. 30, 2011.

*Primary Examiner* — Robin V Webster

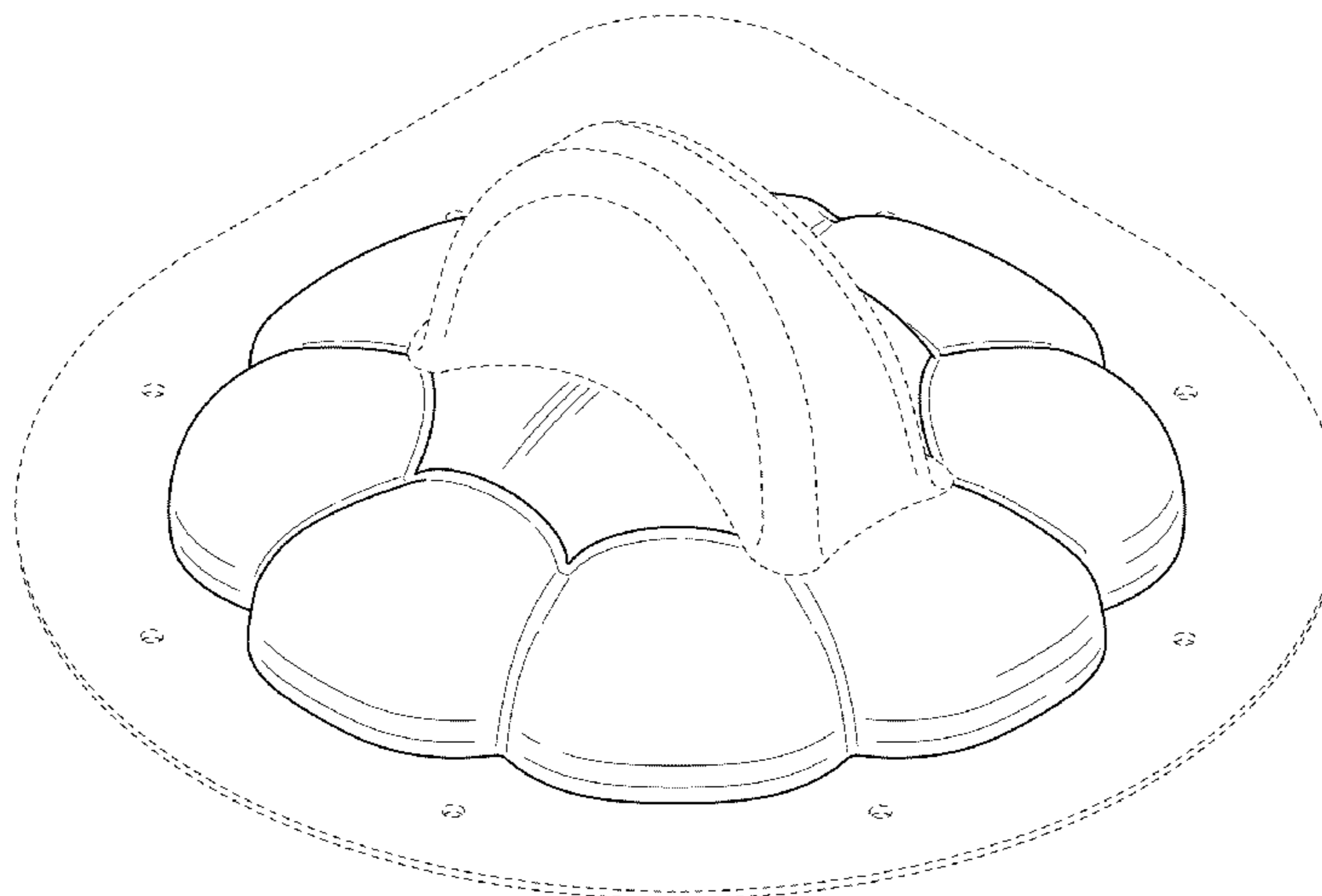
(57) **CLAIM**

The ornamental design for an applicator, as shown and described.

**DESCRIPTION**

FIG. 1 is a top, front perspective view of an applicator showing our new design; FIG. 2 is a front view thereof; FIG. 3 is a rear view thereof; FIG. 4 is a right side view thereof; FIG. 5 is a left side view thereof; and, FIG. 6 is a top view thereof. The broken lines are for environmental purposes only and form no part of the claimed design.

**1 Claim, 6 Drawing Sheets**



(56)

**References Cited**

U.S. PATENT DOCUMENTS

|              |     |         |                            |
|--------------|-----|---------|----------------------------|
| 7,448,496    | B2  | 11/2008 | Williams-Hartman           |
| 7,469,519    | B2  | 12/2008 | Barthel et al.             |
| 7,520,406    | B2  | 4/2009  | Jaichandra et al.          |
| 7,625,856    | B2  | 12/2009 | Burt et al.                |
| D623,798     | S   | 9/2010  | Huynh                      |
| D628,675     | S * | 12/2010 | Newman et al. .... D23/210 |
| 2002/0195369 | A1  | 12/2002 | Bergman                    |
| 2004/0011693 | A1  | 1/2004  | Prenger et al.             |
| 2004/0065679 | A1  | 4/2004  | Peuker et al.              |
| 2006/0213801 | A1  | 9/2006  | Karaoren et al.            |
| 2006/0260973 | A1  | 11/2006 | Macinnes et al.            |
| 2007/0053737 | A1  | 3/2007  | Morris et al.              |
| 2008/0003052 | A1  | 1/2008  | Lee et al.                 |
| 2008/0057020 | A1  | 3/2008  | Evers et al.               |
| 2008/0058239 | A1  | 3/2008  | Evers et al.               |

|              |    |         |                   |
|--------------|----|---------|-------------------|
| 2008/0058240 | A1 | 3/2008  | Evers et al.      |
| 2008/0058241 | A1 | 3/2008  | Sarcinelli et al. |
| 2008/0092282 | A1 | 4/2008  | Altmann et al.    |
| 2008/0099041 | A1 | 5/2008  | Evers et al.      |
| 2008/0255017 | A1 | 10/2008 | Dettinger et al.  |
| 2008/0313795 | A1 | 12/2008 | Lu                |
| 2009/0188831 | A1 | 7/2009  | Blackman          |
| 2009/0194451 | A1 | 8/2009  | Leiner et al.     |
| 2009/0235443 | A1 | 9/2009  | Arora et al.      |
| 2012/0037301 | A1 | 2/2012  | Rice et al.       |
| 2013/0095238 | A1 | 4/2013  | Delgigante et al. |

FOREIGN PATENT DOCUMENTS

|    |              |    |         |
|----|--------------|----|---------|
| EP | 2281756      | A1 | 2/2011  |
| WO | WO03097947   | A1 | 11/2003 |
| WO | WO2012017276 | A1 | 2/2012  |
| WO | WO2013054124 |    | 4/2013  |

\* cited by examiner

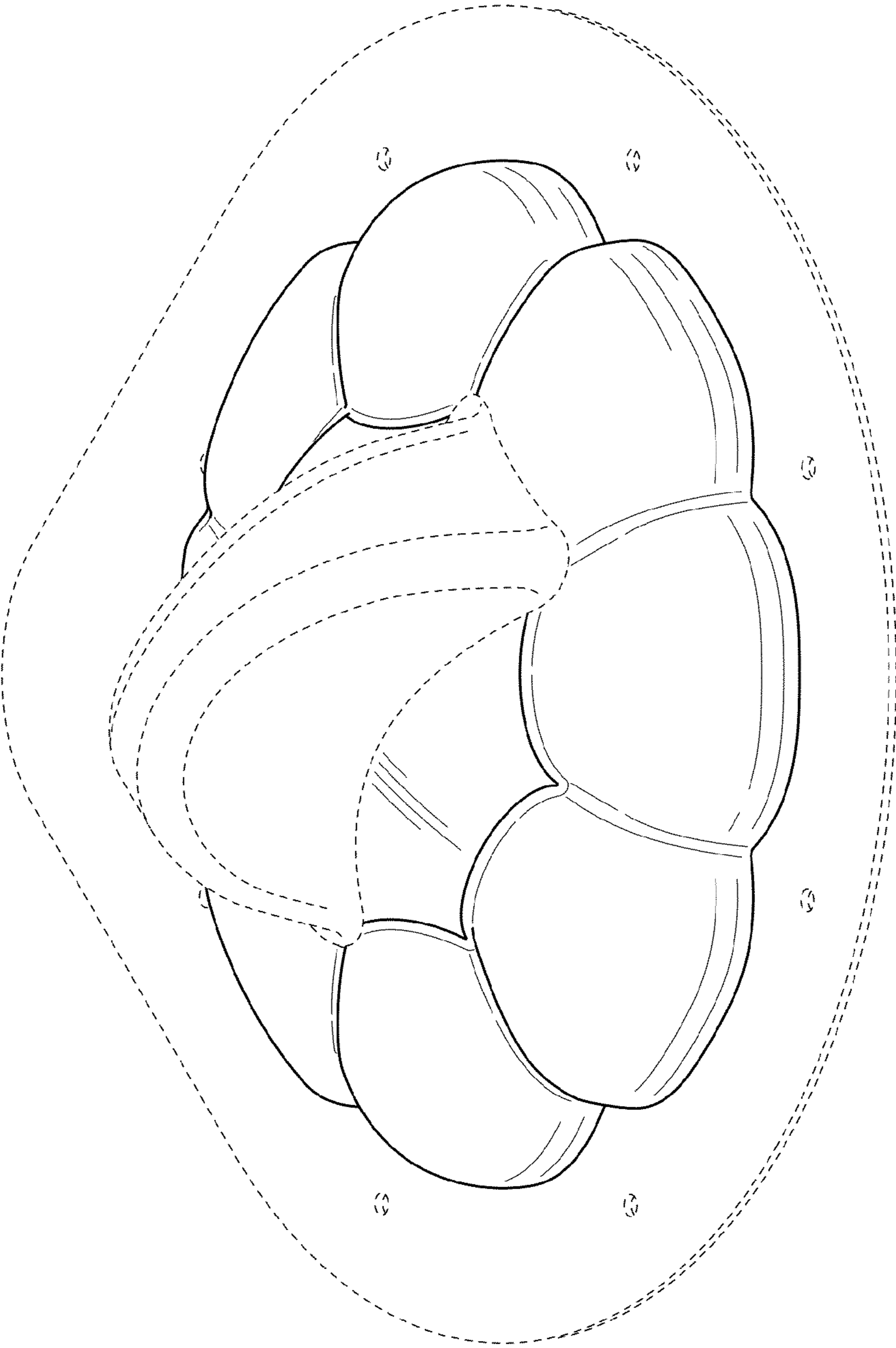


FIG. 1

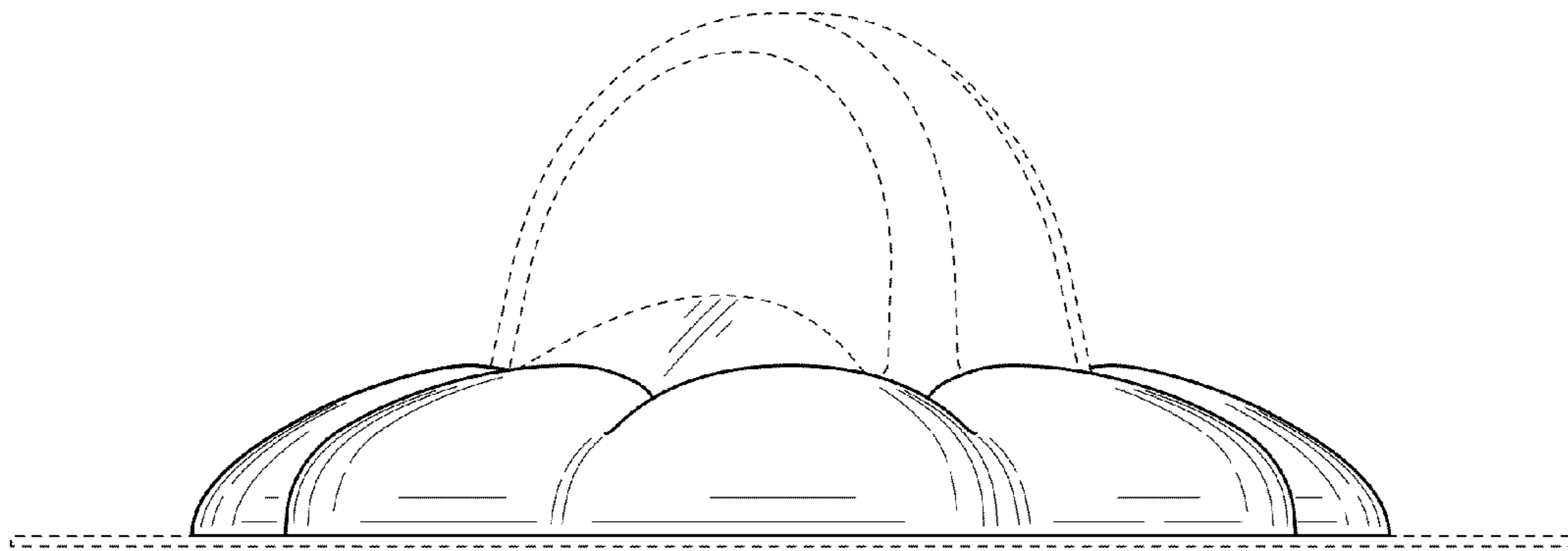


FIG. 2

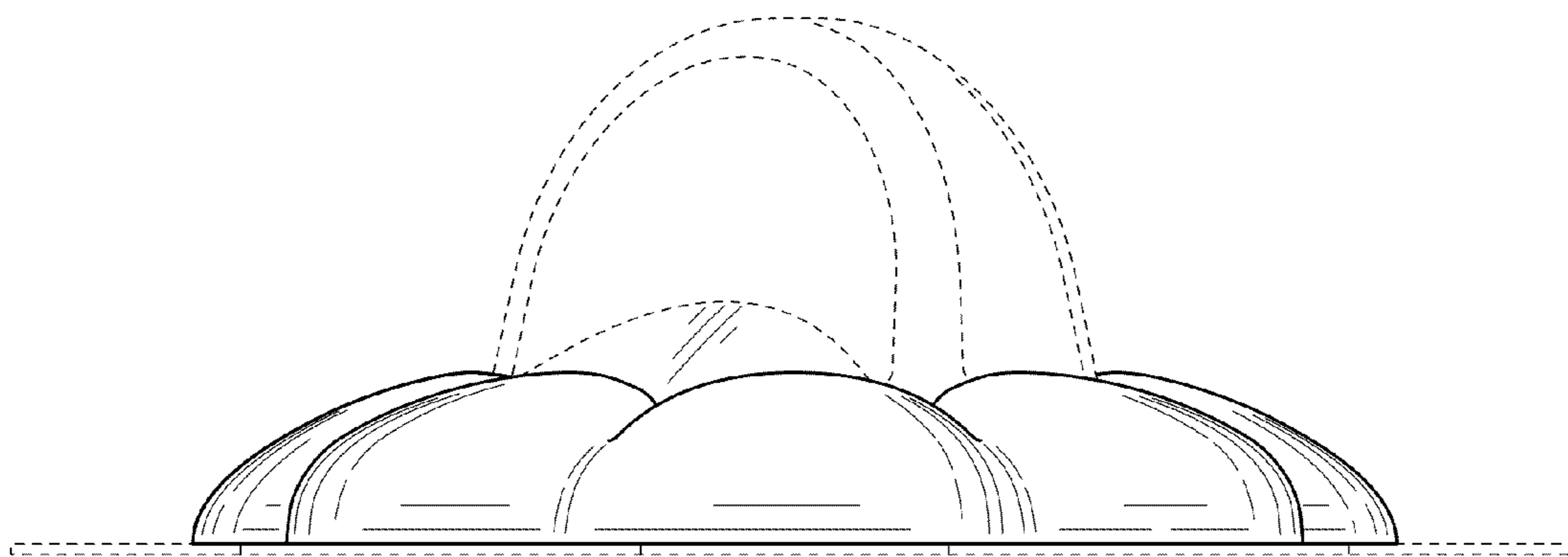


FIG. 3

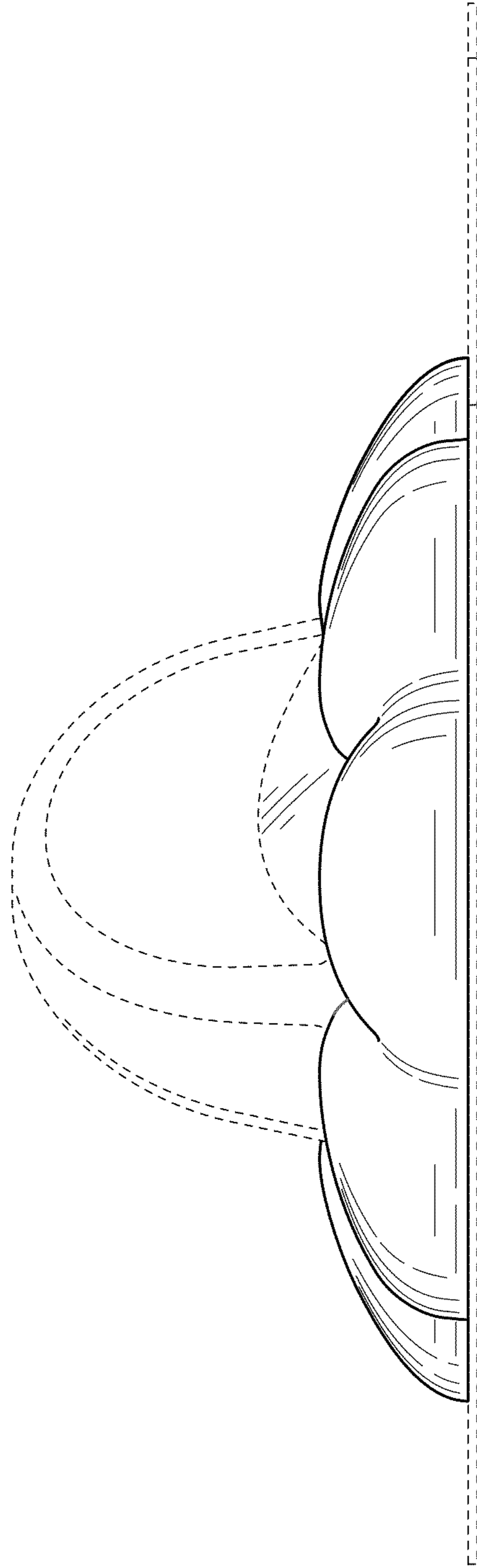


FIG. 4

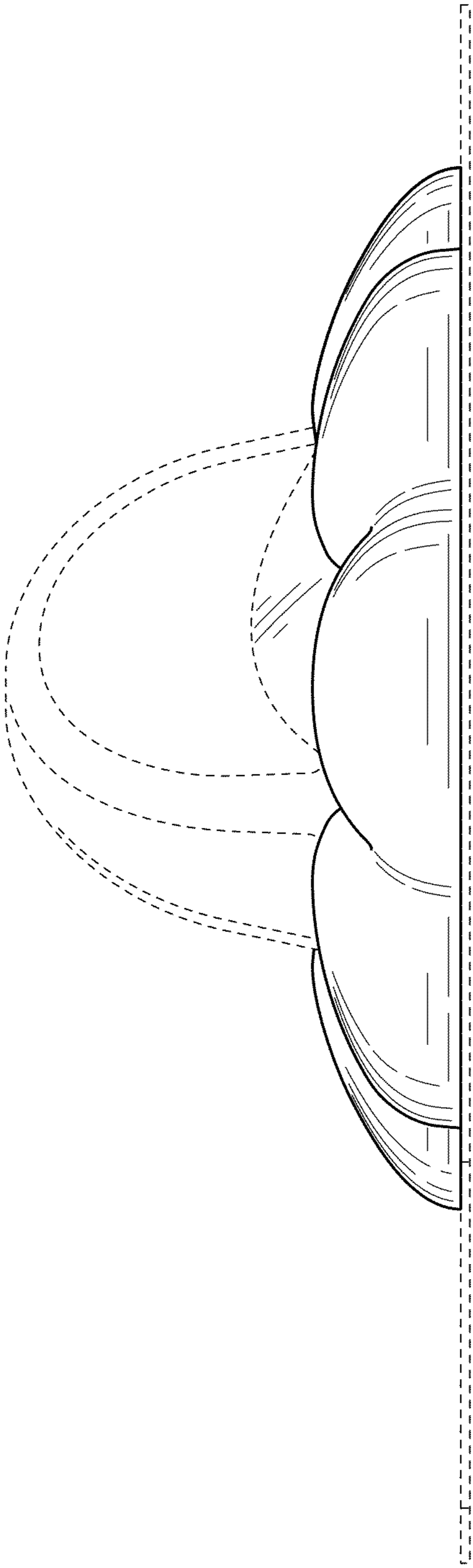


FIG. 5

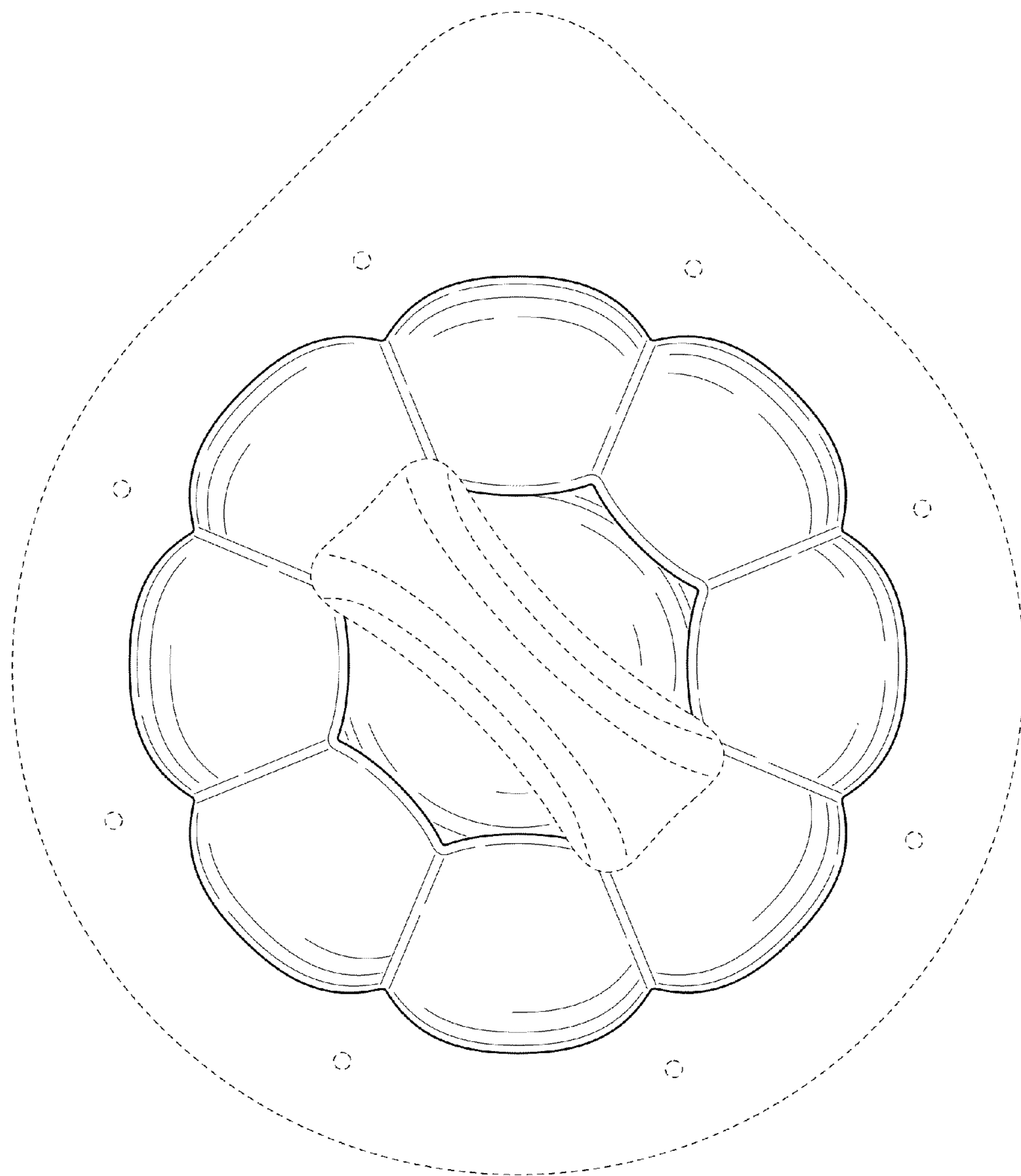


FIG. 6