

US00D690788S

(12) **United States Design Patent**
Acarreta

(10) **Patent No.:** **US D690,788 S**

(45) **Date of Patent:** **** Oct. 1, 2013**

(54) **DISPLAY DEVICE FOR FIREARMS**

(76) Inventor: **Raúl Delgado Acarreta**, Navarra (ES)

(**) Term: **14 Years**

(21) Appl. No.: **29/377,594**

(22) Filed: **Oct. 22, 2010**

(51) **LOC (9) Cl.** **22-01**

(52) **U.S. Cl.**
USPC **D22/108**

(58) **Field of Classification Search**
USPC D22/100–111, 199
See application file for complete search history.

(56) **References Cited**

U.S. PATENT DOCUMENTS

D244,285 S *	5/1977	Sofinowski	D22/108
D266,783 S *	11/1982	Stratman	D22/109
D378,936 S *	4/1997	DePaoli	D22/109
D561,864 S *	2/2008	Rigler	D22/110
D562,428 S *	2/2008	Peters et al.	D22/108
D578,177 S *	10/2008	Norberg et al.	D22/110
D597,165 S *	7/2009	Moody et al.	D22/109
D615,143 S *	5/2010	Fitzpatrick et al.	D22/108
D619,195 S *	7/2010	Bengtsson	D22/110

D644,293 S *	8/2011	Fitzpatrick et al.	D22/108
D645,113 S *	9/2011	Fitzpatrick et al.	D22/108
D654,551 S *	2/2012	Williams	D22/107
D659,220 S *	5/2012	Foltz	D22/108

* cited by examiner

Primary Examiner — David Muller

(74) *Attorney, Agent, or Firm* — Blank Rome LLP

(57) **CLAIM**

I claim an ornamental design for a display device for firearms, as shown and described.

DESCRIPTION

FIG. 1 is a perspective view of a display device for firearms of my new design;

FIG. 2 is a second perspective view thereof from a different angle;

FIG. 3 is a top plan view thereof;

FIG. 4 is a side elevation view thereof;

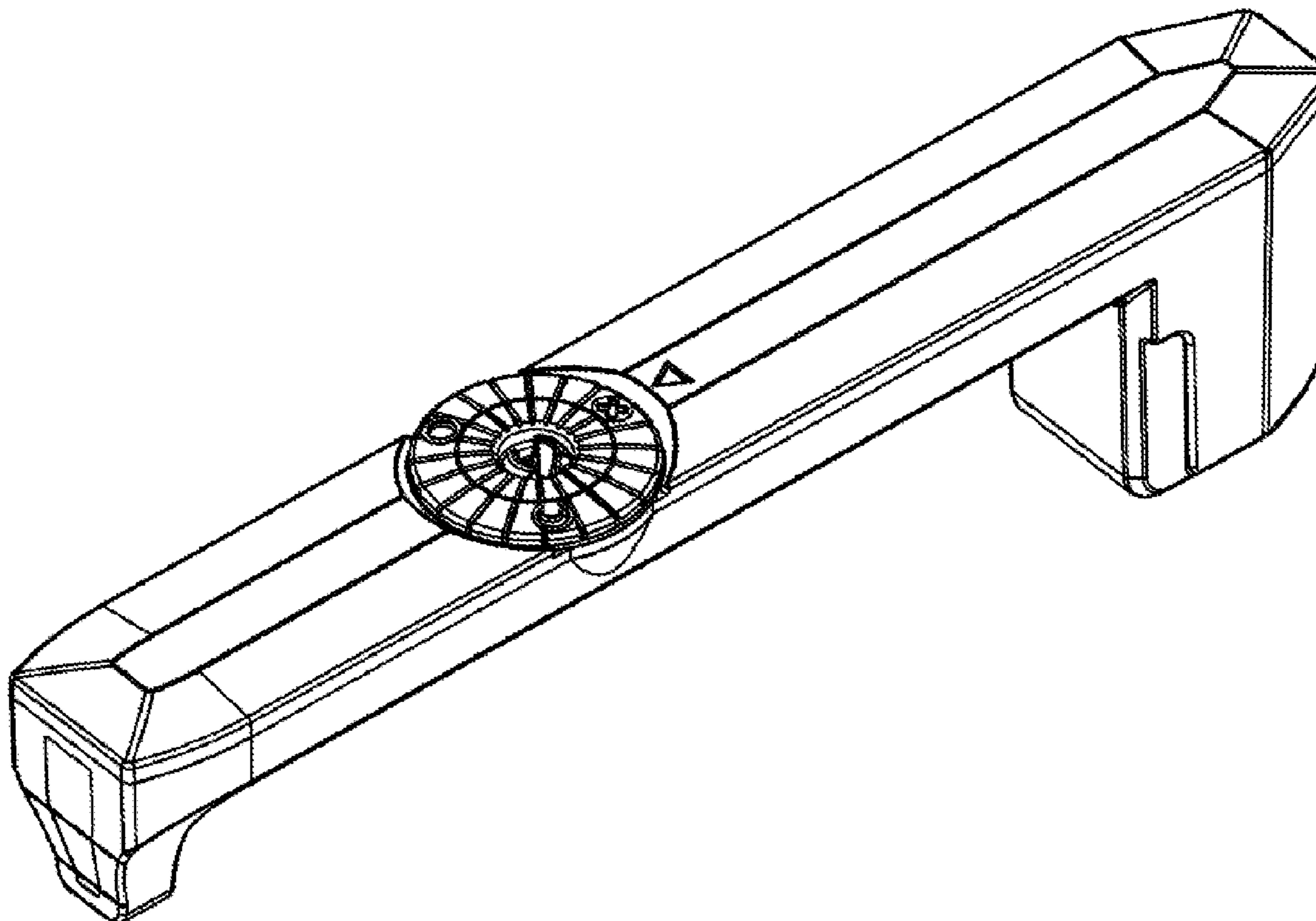
FIG. 5 is an opposite side elevation view thereof;

FIG. 6 is a bottom plan view thereof;

FIG. 7 is an end elevation view thereof; and,

FIG. 8 is an opposite end elevation view thereof.

1 Claim, 8 Drawing Sheets



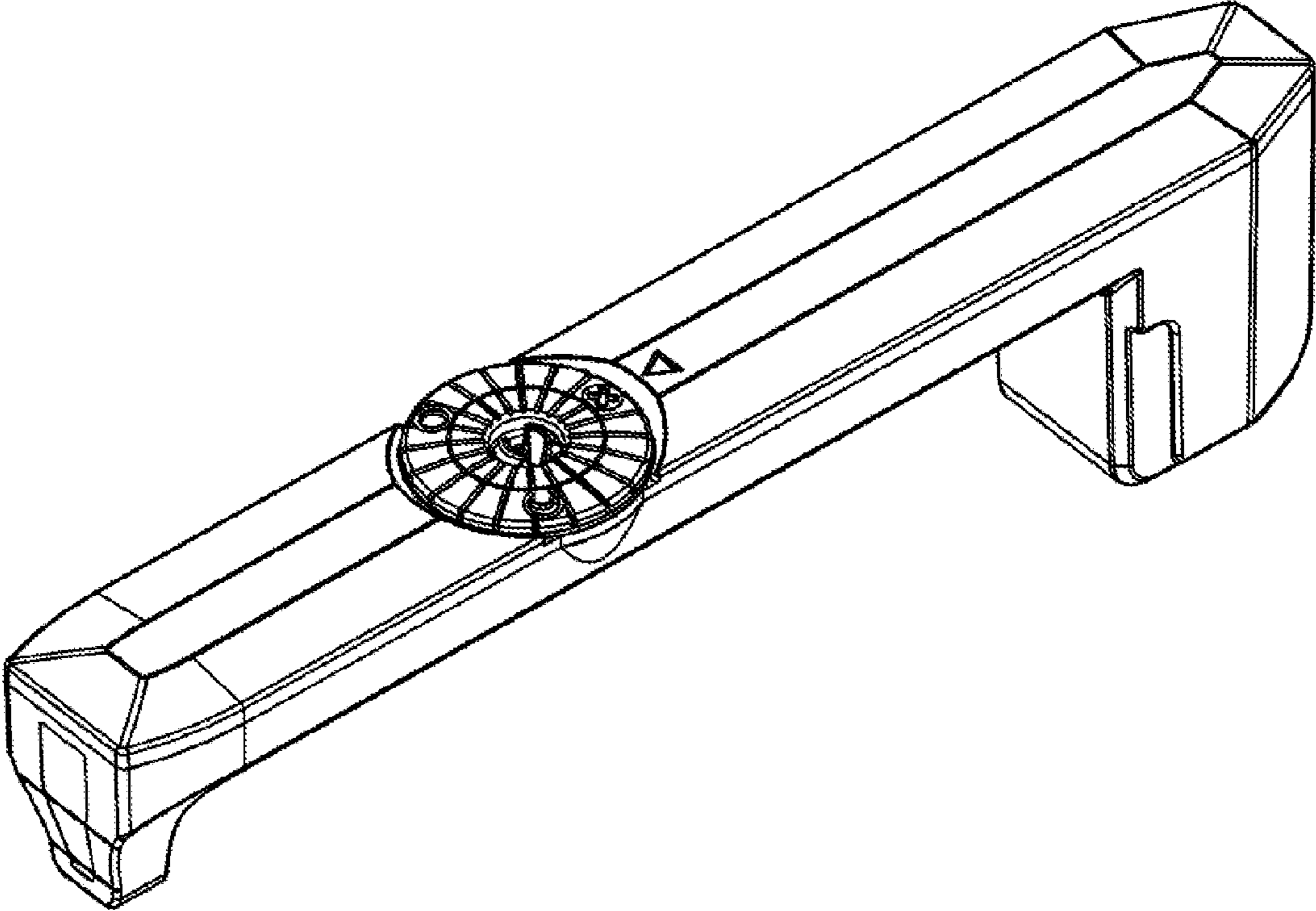


FIG. 1

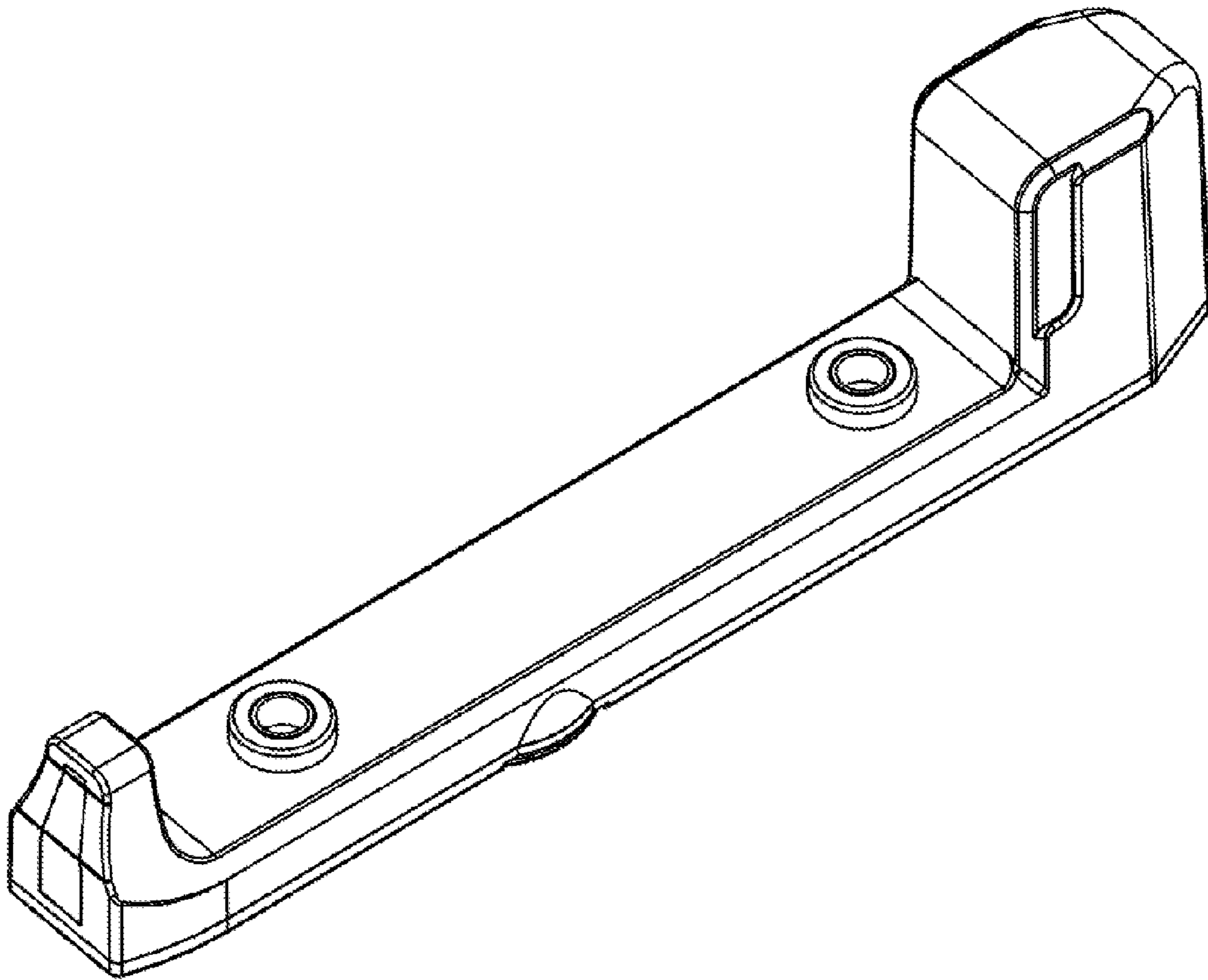


FIG. 2

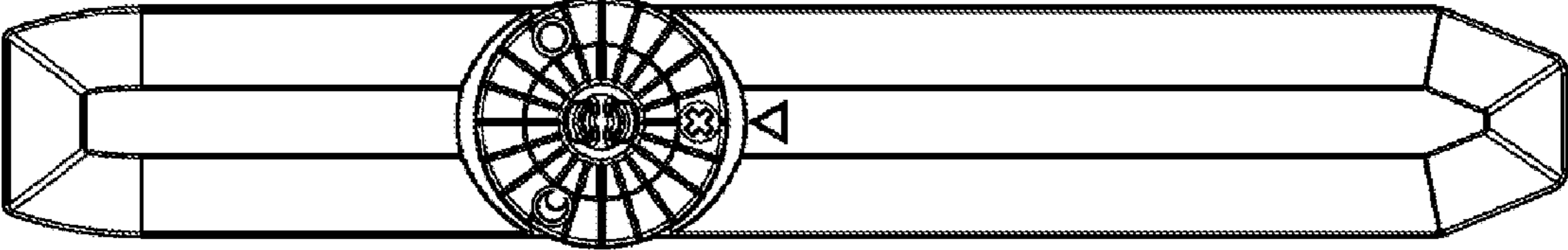


FIG. 3

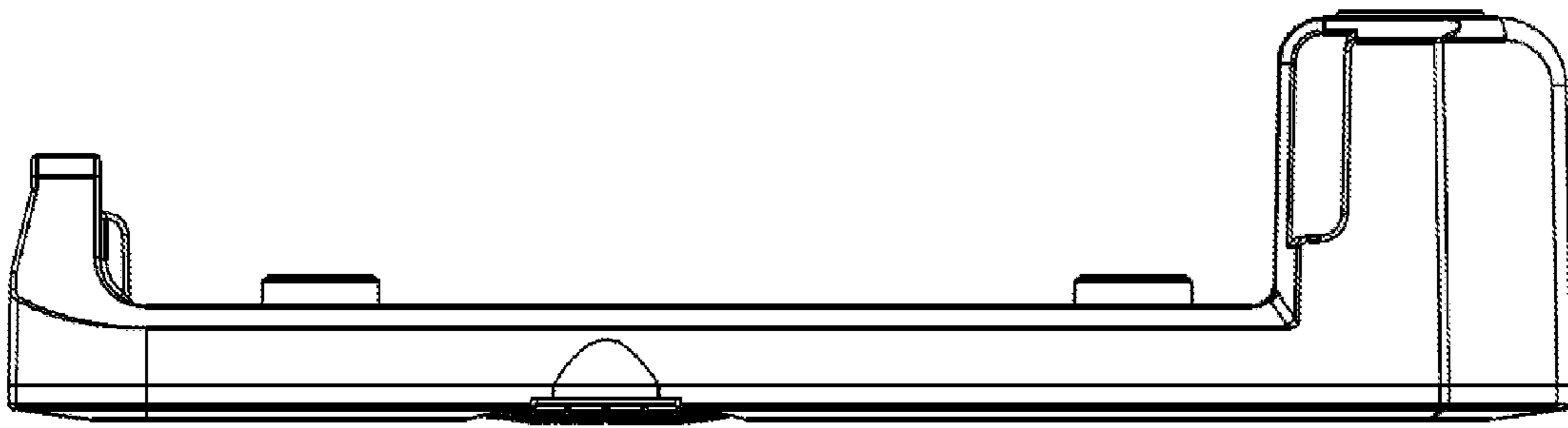


FIG. 4

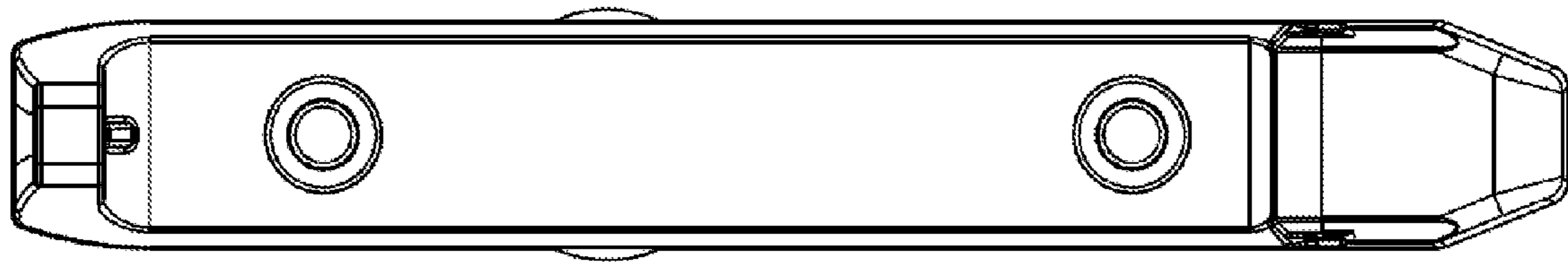


FIG. 5

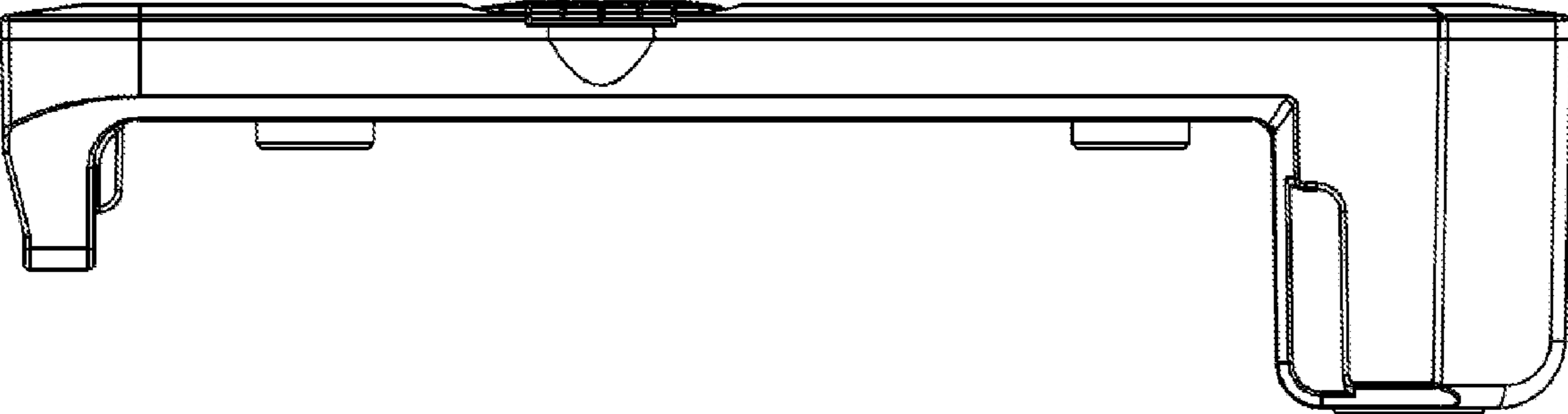


FIG. 6

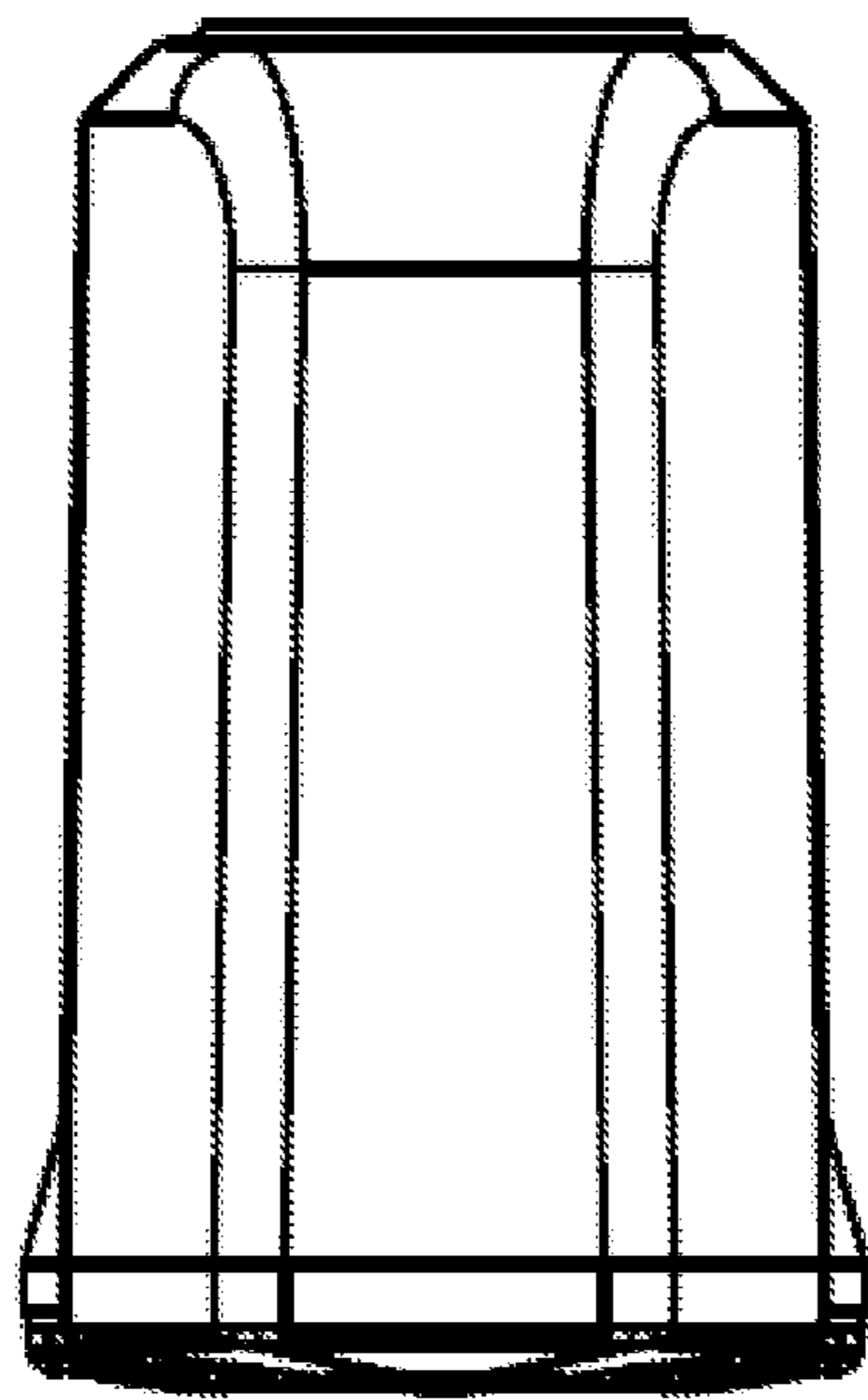


FIG. 7

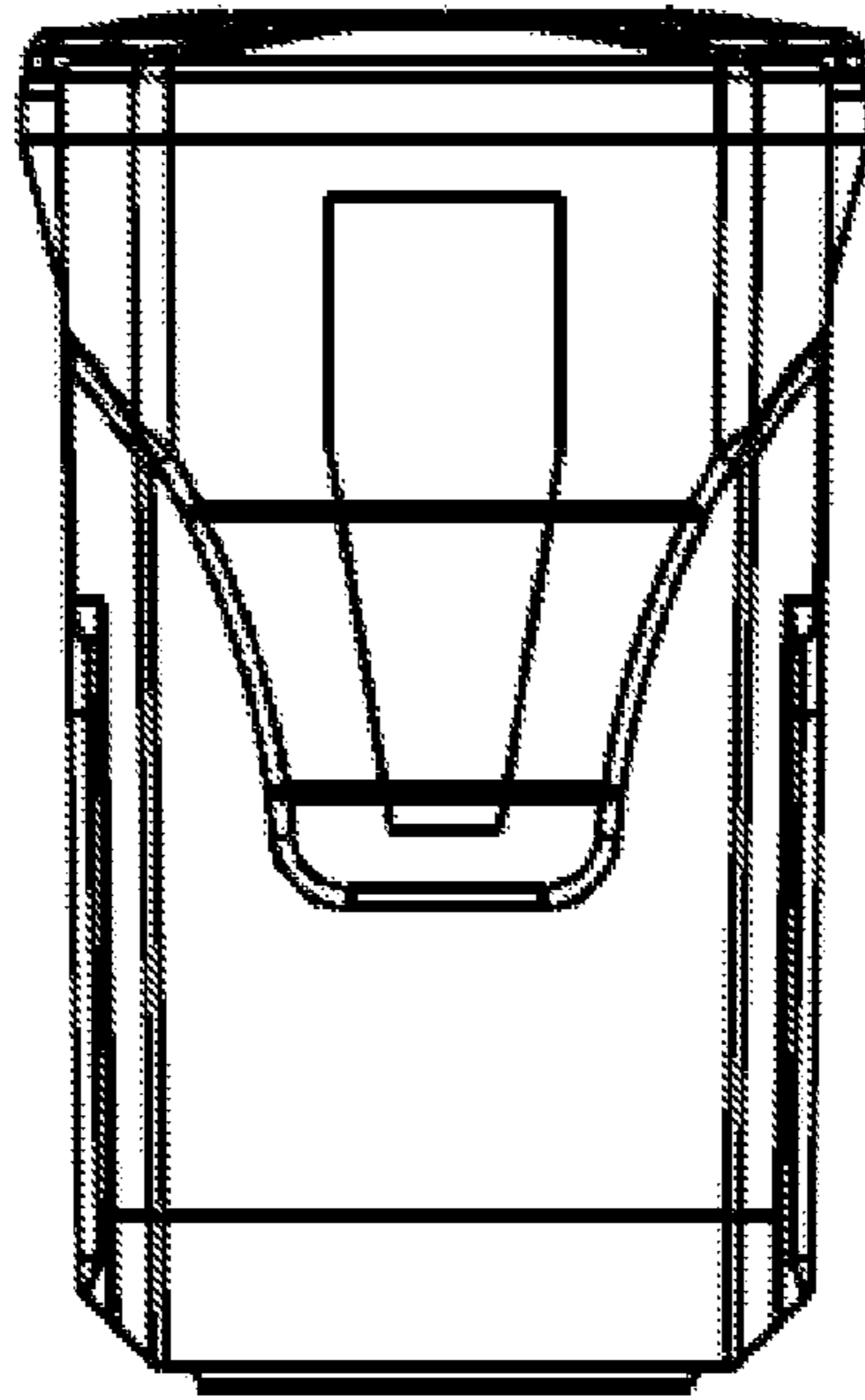


FIG. 8