



US00D690787S

(12) **United States Design Patent**
Barnett

(10) **Patent No.:** **US D690,787 S**
(45) **Date of Patent:** **** Oct. 1, 2013**

(54) **BLOW GUN**

(71) Applicant: **Barnett Outdoors, LLC**, Tarpon Springs, FL (US)

(72) Inventor: **David A. Barnett**, Tarpon Springs, FL (US)

(73) Assignee: **Barnett Outdoors, LLC**, Tarpon Springs, FL (US)

(**) Term: **14 Years**

(21) Appl. No.: **29/457,447**

(22) Filed: **Jun. 10, 2013**

Related U.S. Application Data

(62) Division of application No. 29/413,098, filed on Feb. 10, 2012, now Pat. No. Des. 686,293.

(51) **LOC (9) Cl.** **22-01**

(52) **U.S. Cl.**
USPC **D22/102**

(58) **Field of Classification Search**
USPC D22/102, 108; 124/62, 73, 83, 85;
42/76.01, 77, 78; 248/62; 239/DIG. 2; 24/45
See application file for complete search history.

(56) **References Cited**

U.S. PATENT DOCUMENTS

D686,293 S * 7/2013 Barnett D22/102

* cited by examiner

Primary Examiner — Michael A Pratt

(74) *Attorney, Agent, or Firm* — Jones Walker LLP

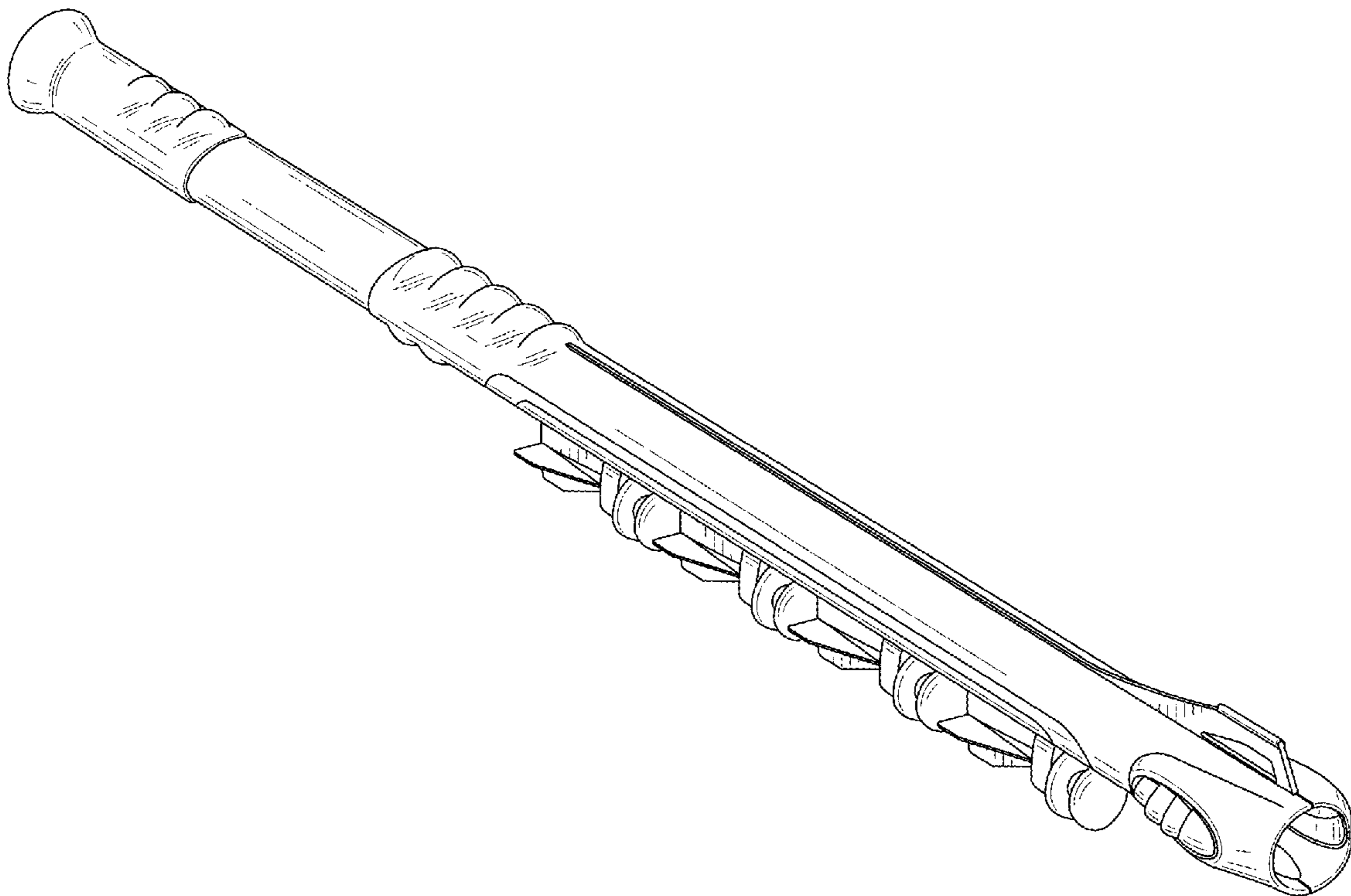
(57) **CLAIM**

I claim the ornamental design for a blow gun, as shown and described.

DESCRIPTION

FIG. 1 is a right perspective view of my new design;
FIG. 2 is a left side view thereof;
FIG. 3 is a right side view thereof;
FIG. 4 is a top view thereof;
FIG. 5 is a bottom view thereof;
FIG. 6 is a front view thereof; and,
FIG. 7 is a rear view thereof.

1 Claim, 6 Drawing Sheets



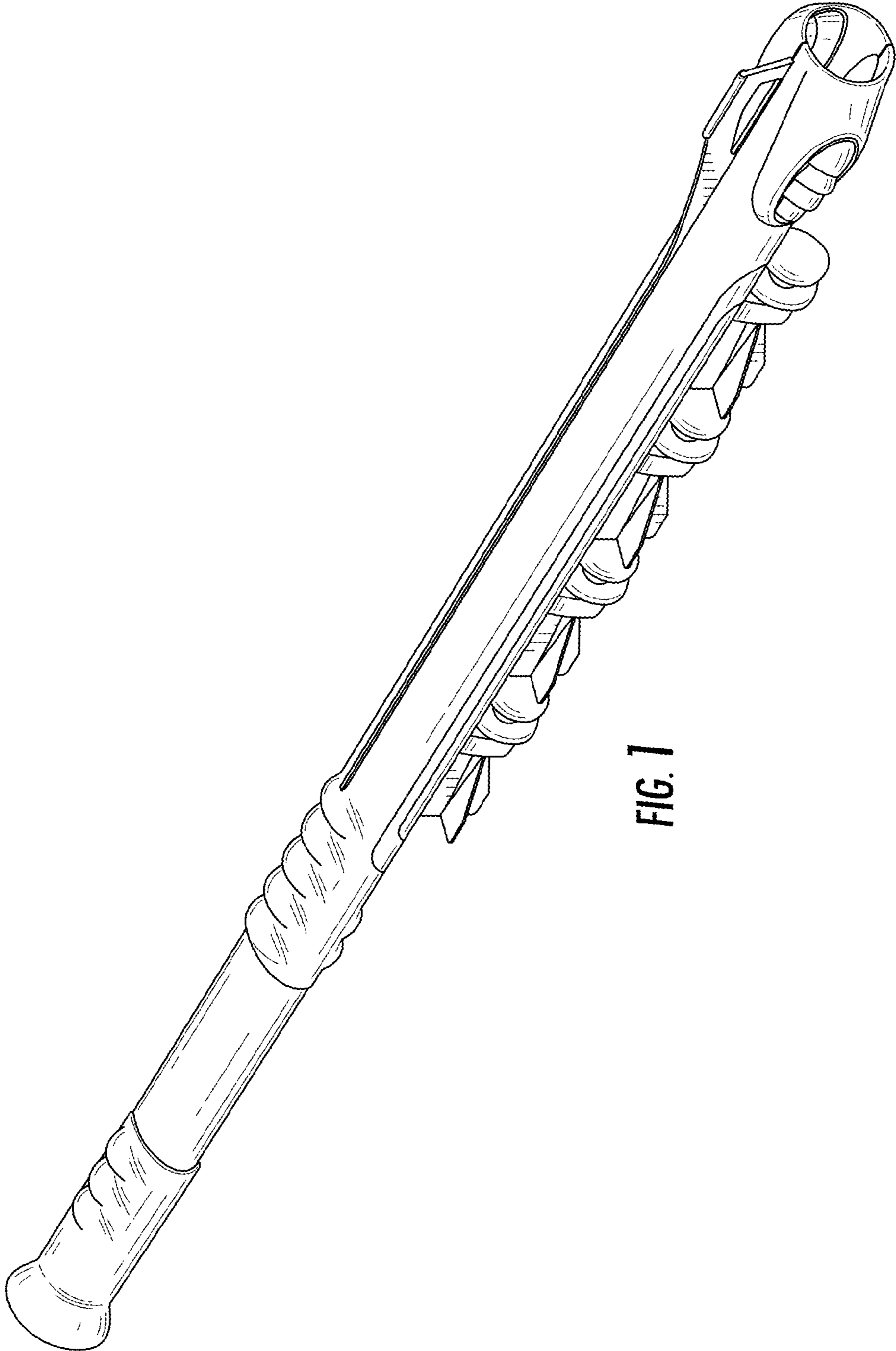


FIG. 1

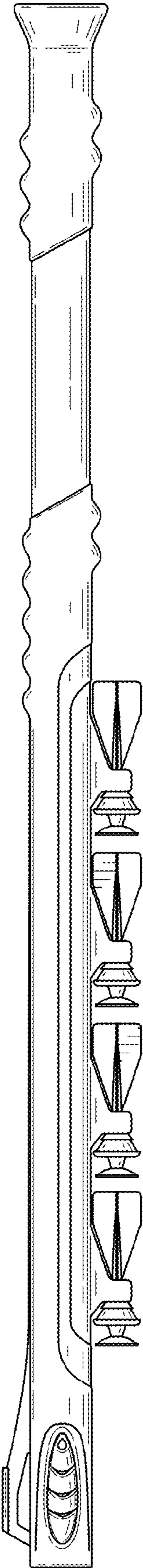


FIG. 2

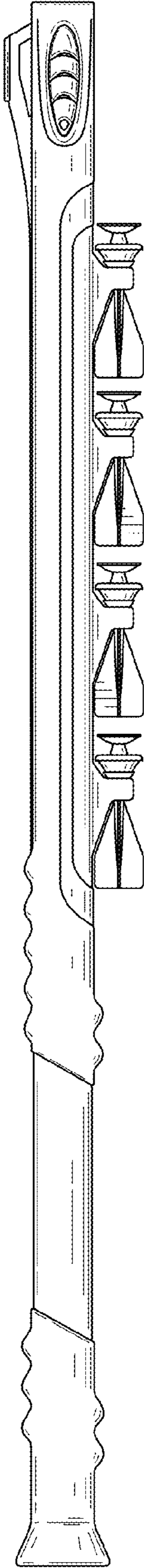


FIG. 3

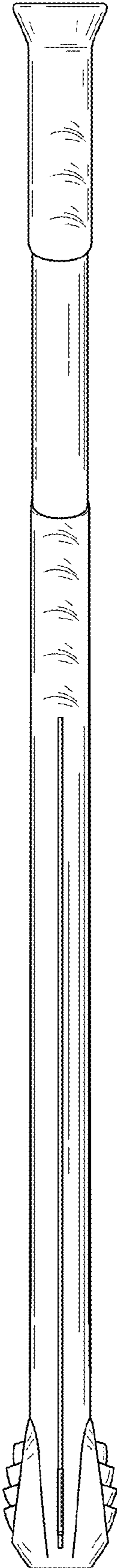


FIG. 4

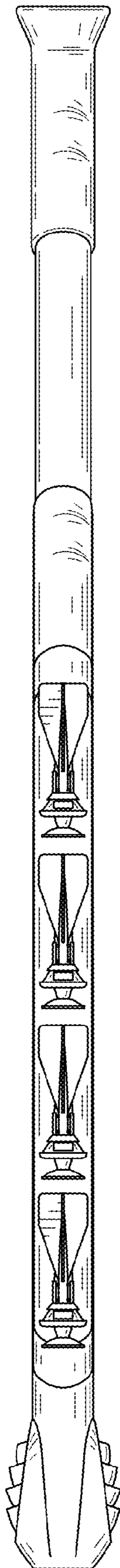


FIG. 5

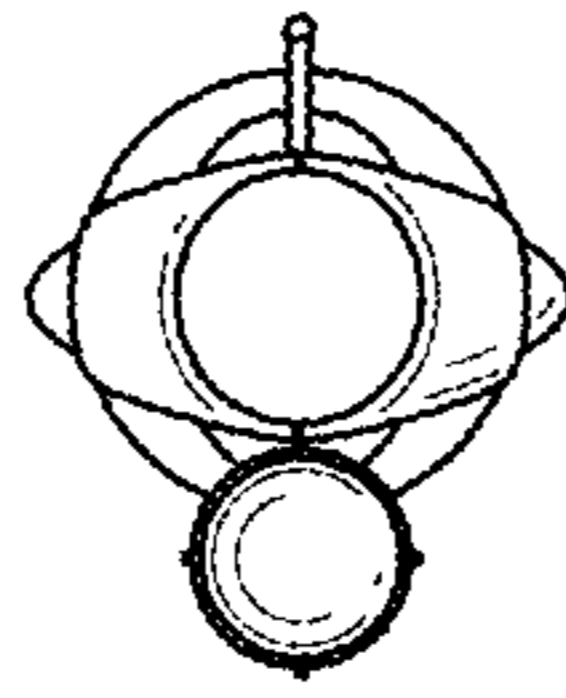


FIG. 6

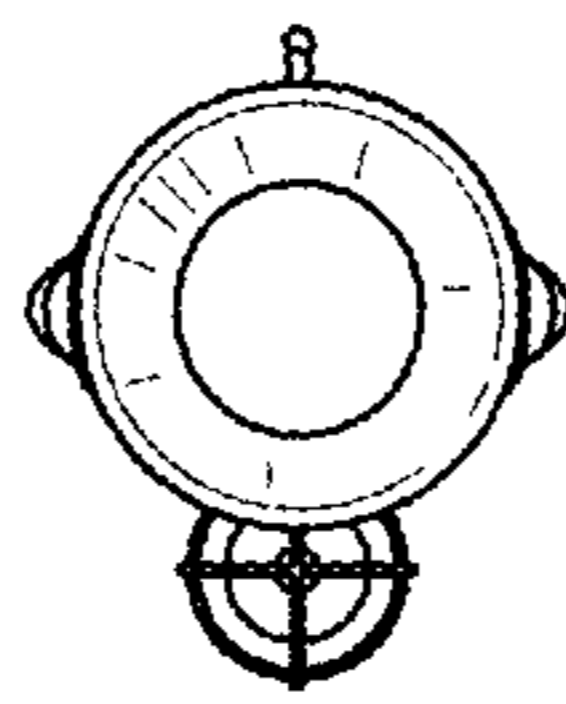


FIG. 7