



US00D690784S

(12) **United States Design Patent**
Horita

(10) **Patent No.:** **US D690,784 S**
(45) **Date of Patent:** **** Oct. 1, 2013**

- (54) **EXERCISE DEVICE**
- (75) Inventor: **Sean Horita**, Woodinville, WA (US)
- (73) Assignee: **Precor Incorporated**, Woodinville, WA (US)
- (**) Term: **14 Years**
- (21) Appl. No.: **29/414,379**
- (22) Filed: **Feb. 28, 2012**
- (51) **LOC (9) Cl.** **21-02**
- (52) **U.S. Cl.**
USPC **D21/694; D21/670**
- (58) **Field of Classification Search**
USPC D21/662, 663, 666, 667, 668, 670,
D21/671, 686, 689, 691, 694, 697; 482/4,
482/5, 51, 52, 57, 59, 60, 62, 63, 71, 72,
482/73, 118, 133, 137, 138, 142
See application file for complete search history.

7,641,598 B2	1/2010	Rodgers, Jr.	482/52
7,678,025 B2	3/2010	Rodgers, Jr.	482/52
7,708,668 B2	5/2010	Rodgers, Jr.	482/51
7,708,669 B2	5/2010	Rodgers, Jr.	482/52
7,811,208 B2	10/2010	Rodgers, Jr.	482/52
7,828,698 B2	11/2010	Rodgers, Jr.	482/52
7,833,133 B2	11/2010	Stewart et al.	482/52
7,874,963 B2	1/2011	Grind	482/71
7,878,947 B1	2/2011	Rodgers, Jr.	482/52
7,887,465 B2	2/2011	Uffelman	482/52
7,922,625 B2	4/2011	Grind	482/52
7,988,600 B2	8/2011	Rodgers, Jr.	482/52
8,021,275 B2	9/2011	Rodgers, Jr.	482/52
8,092,351 B1	1/2012	Rodgers, Jr.	482/52
8,105,213 B2	1/2012	Stewart et al.	482/52
2008/0161163 A1	7/2008	Stewart et al.	482/51
2010/0167877 A1	7/2010	Grind	482/52
2010/0204017 A1	8/2010	Uffelman	482/52
2010/0267524 A1	10/2010	Stewart et al.	482/52

* cited by examiner

Primary Examiner — Susan E Krakower

(74) Attorney, Agent, or Firm — Terence P. O'Brien

(56) **References Cited**

U.S. PATENT DOCUMENTS

D254,638 S *	4/1980	Bay, Jr.	D29/109
D331,820 S *	12/1992	Scanlon	D29/110
D349,362 S *	8/1994	Russell	D29/110
D408,477 S *	4/1999	Arnold et al.	D21/668
D472,946 S *	4/2003	Wu	D21/665
D520,083 S *	5/2006	Lu	D21/685
7,267,639 B2 *	9/2007	Kuo	482/62
D565,130 S *	3/2008	Olson	D21/670
D567,314 S	4/2008	Horita	D21/694
D570,430 S	6/2008	Horita	D21/694
D575,837 S	8/2008	Horita	D21/694
7,507,184 B2	3/2009	Rodgers, Jr.	482/52
D590,033 S *	4/2009	Wang et al.	D21/694
7,520,839 B2	4/2009	Rodgers, Jr.	482/52
7,530,926 B2	5/2009	Rodgers, Jr.	482/52

(57) **CLAIM**

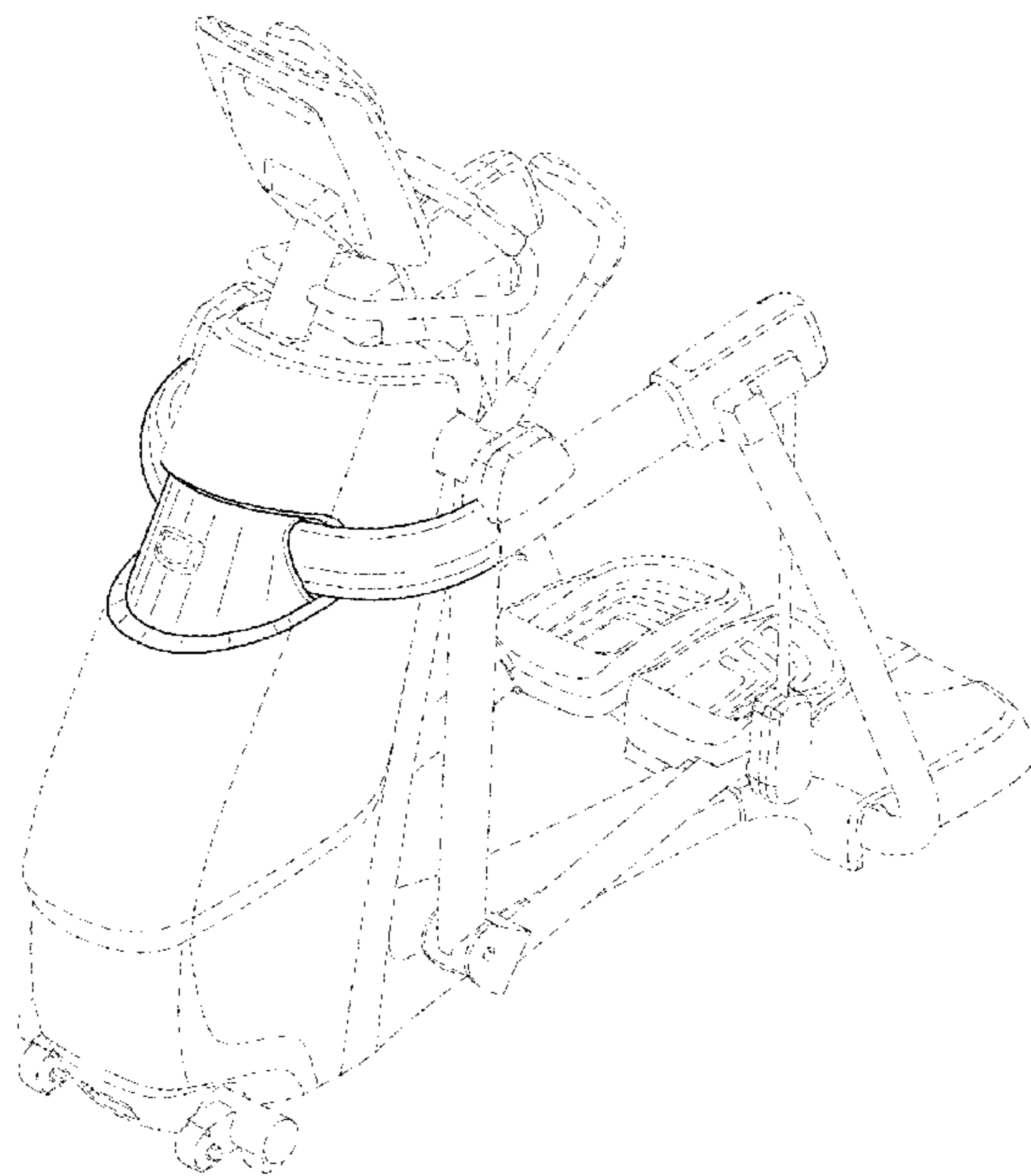
The ornamental design for an exercise device, as shown and described.

DESCRIPTION

FIG. 1 is a front side perspective view of an exercise device; FIG. 2 is a side view of the exercise device of FIG. 1; FIG. 3 is a top view of the exercise device of FIG. 1; and, FIG. 4 is a front view of the exercise device of FIG. 1.

The dash-dash-dash broken lines illustrate environmental structure and form no part of the claimed design. The dash-dot-dash broken lines define the boundaries of the claimed design and form no part thereof.

1 Claim, 4 Drawing Sheets



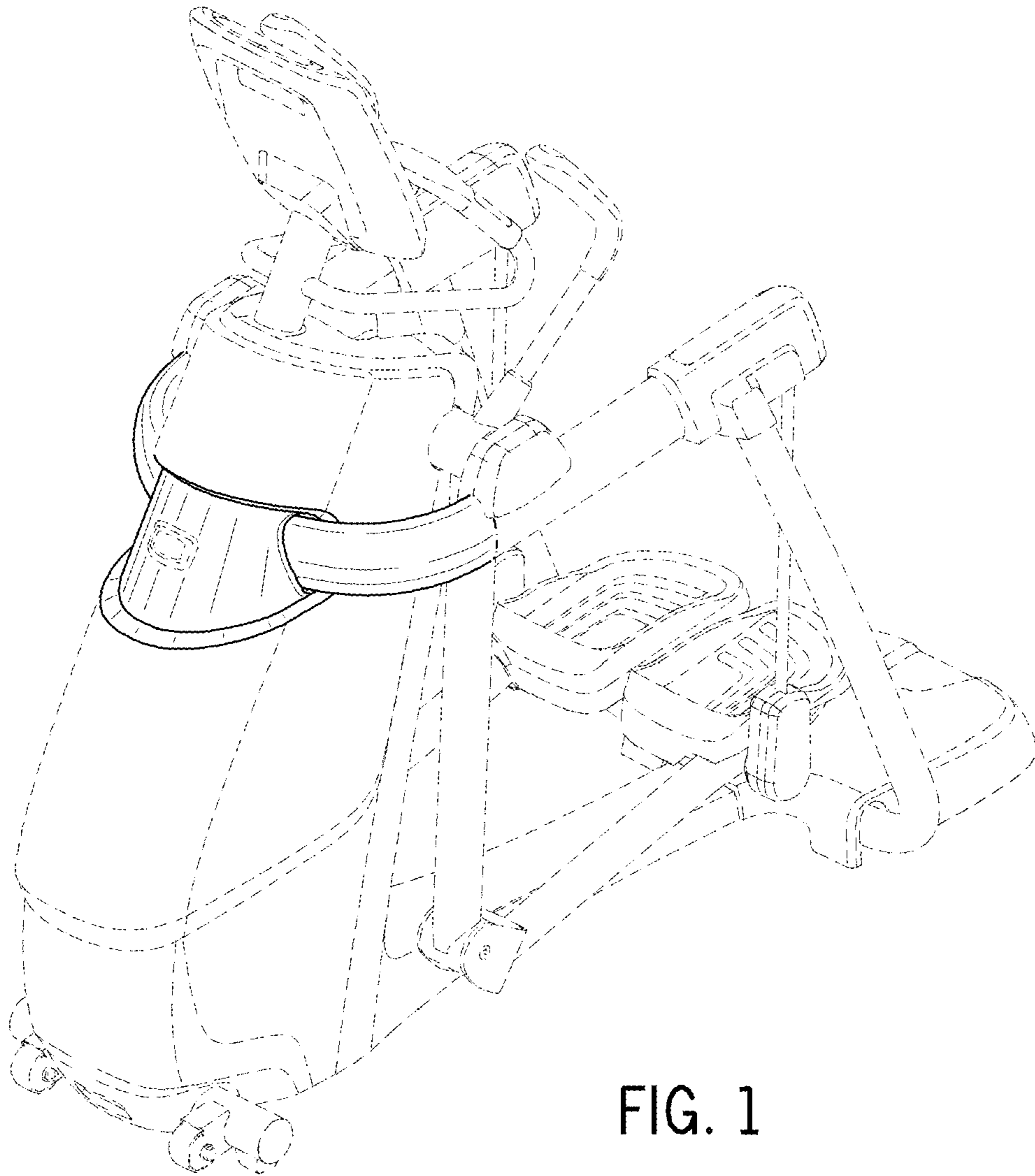


FIG. 1

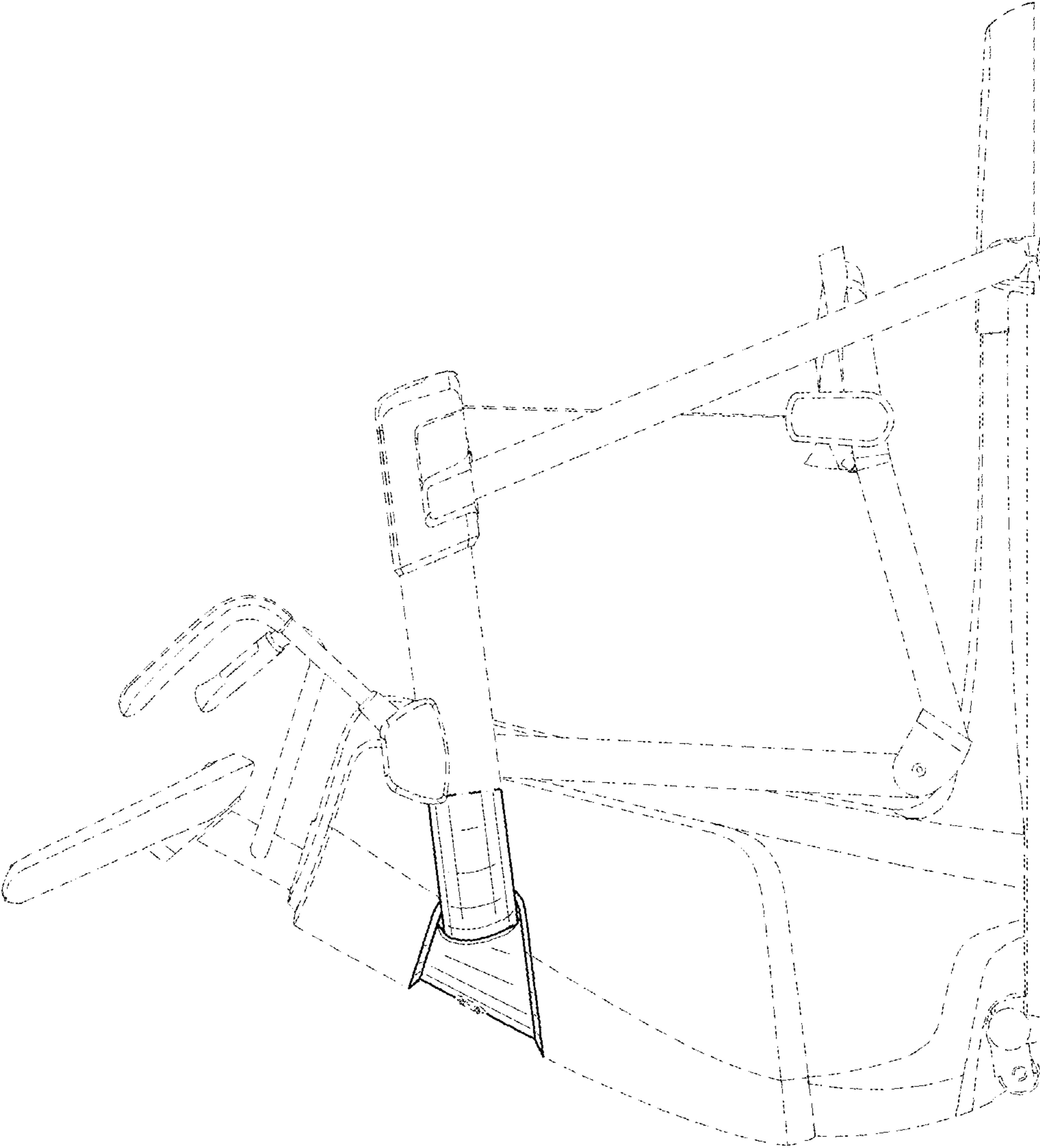


FIG. 2

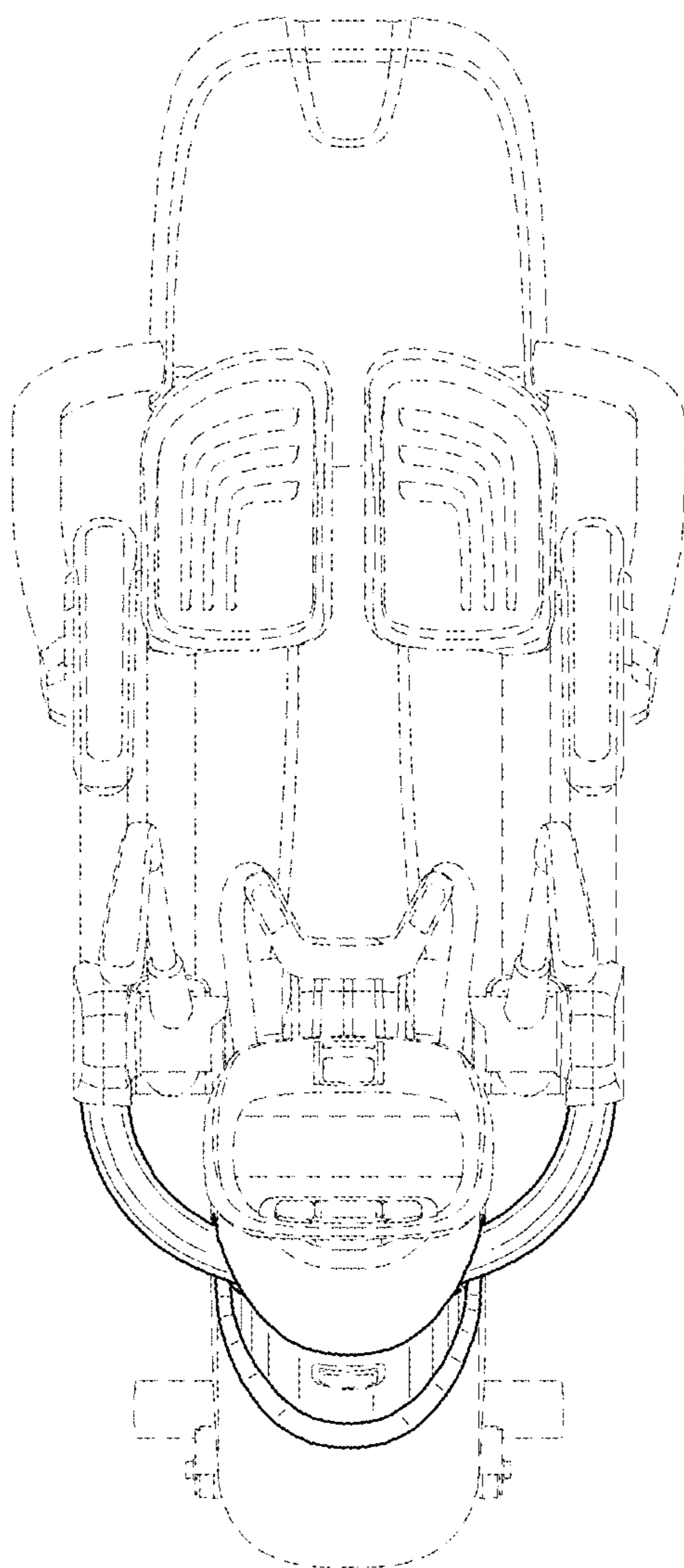


FIG. 3

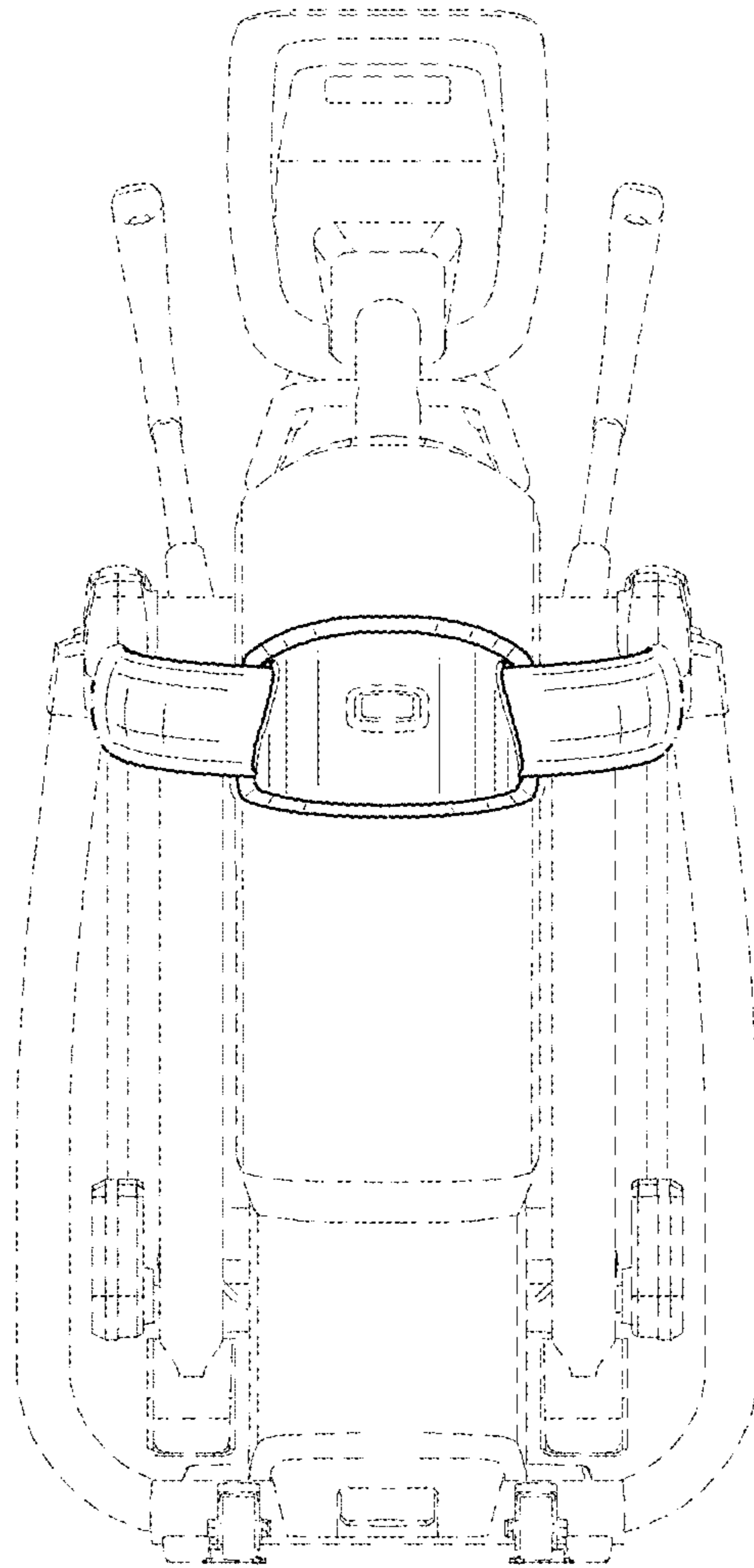


FIG. 4