



US00D690782S

(12) **United States Design Patent**
Perkins

(10) **Patent No.:** **US D690,782 S**

(45) **Date of Patent:** **** Oct. 1, 2013**

(54) **TREADMILL WITH DISPLAY**

(71) Applicant: **Thomas Perkins**, Claremont, NH (US)

(72) Inventor: **Thomas Perkins**, Claremont, NH (US)

(**) Term: **14 Years**

(21) Appl. No.: **29/445,645**

(22) Filed: **Feb. 14, 2013**

(51) **LOC (9) Cl.** **21-02**

(52) **U.S. Cl.**
USPC **D21/669**

(58) **Field of Classification Search**
USPC D21/662, 668, 669, 670, 694; 482/4,
482/8, 9, 51, 54, 70; 119/700
See application file for complete search history.

(56) **References Cited**

U.S. PATENT DOCUMENTS

D289,668	S	*	5/1987	Gremonprez et al.	D21/669
D299,258	S	*	1/1989	De Lorenzo	D21/669
D303,414	S	*	9/1989	Armstrong et al.	D21/669
D306,468	S	*	3/1990	Watterson	D21/669
D321,734	S	*	11/1991	Dunham et al.	D21/669
D333,330	S	*	2/1993	Clem	D21/669
D361,807	S	*	8/1995	Bartlett	D21/669
D416,298	S	*	11/1999	Onuma et al.	D21/669
D421,779	S	*	3/2000	Piaget et al.	D21/669
D437,900	S	*	2/2001	Dick et al.	D21/669

D445,152	S	*	7/2001	Wang et al.	D21/669
D447,780	S	*	9/2001	Arnold et al.	D21/669
D450,792	S	*	11/2001	Kuo	D21/669
6,645,126	B1	*	11/2003	Martin et al.	482/54
D496,699	S	*	9/2004	Dobson	D21/669
6,857,988	B2	*	2/2005	Kiiski et al.	482/54
7,585,255	B1	*	9/2009	Chen	482/54
7,604,571	B2	*	10/2009	Wilkins et al.	482/8
7,736,273	B2	*	6/2010	Cox et al.	482/8
D630,686	S	*	1/2011	Flick et al.	D21/669
7,892,149	B2	*	2/2011	Wu	482/54
8,444,533	B2	*	5/2013	Robinson	482/54

* cited by examiner

Primary Examiner — Susan E Krakower

(74) *Attorney, Agent, or Firm* — Thomas Frost

(57) **CLAIM**

The ornamental design for a treadmill with display, as shown.

DESCRIPTION

FIG. 1 is a frontal perspective view of a treadmill with display showing my new design;

FIG. 2 is a right side elevational view;

FIG. 3 is a left side elevational view;

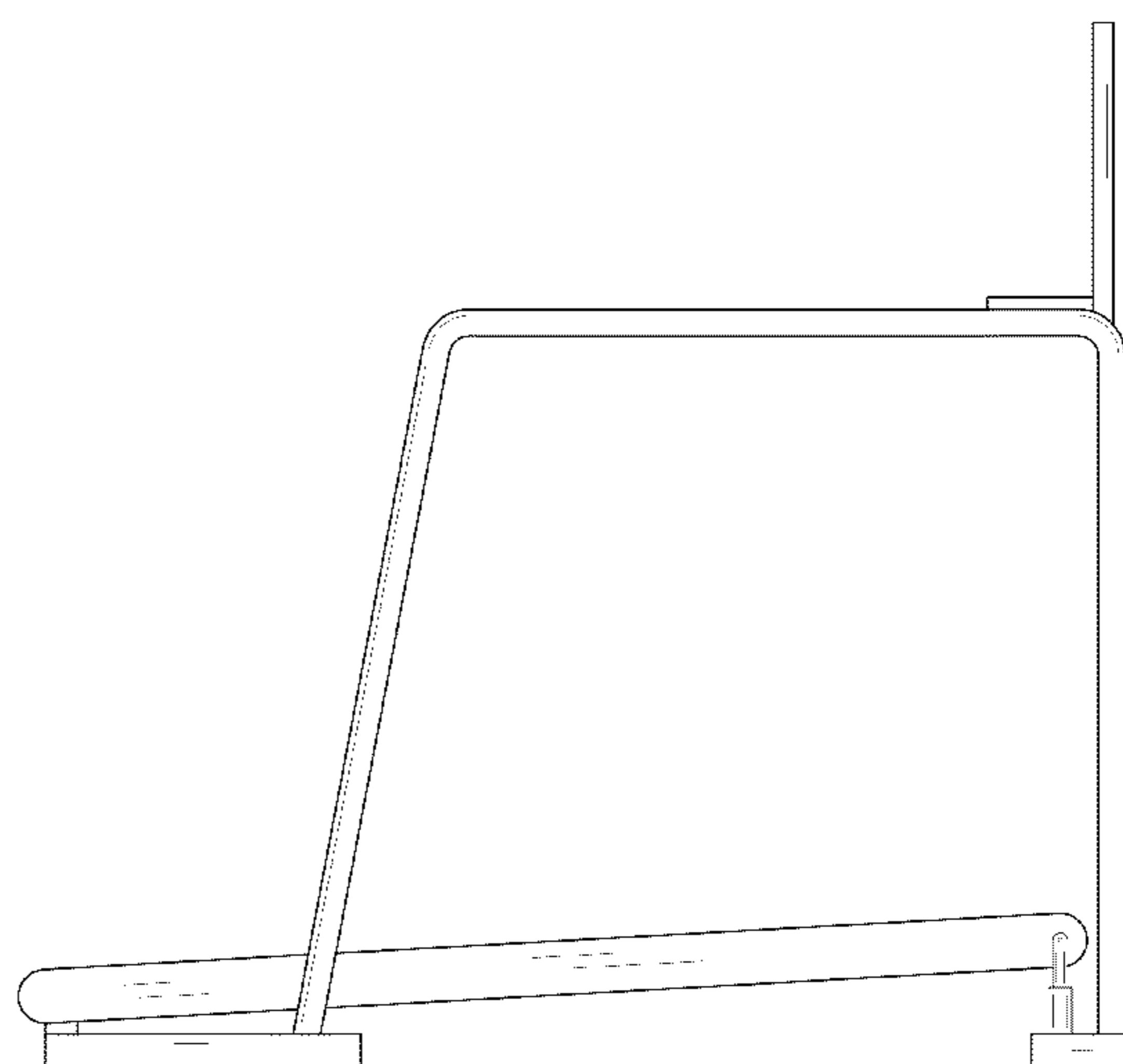
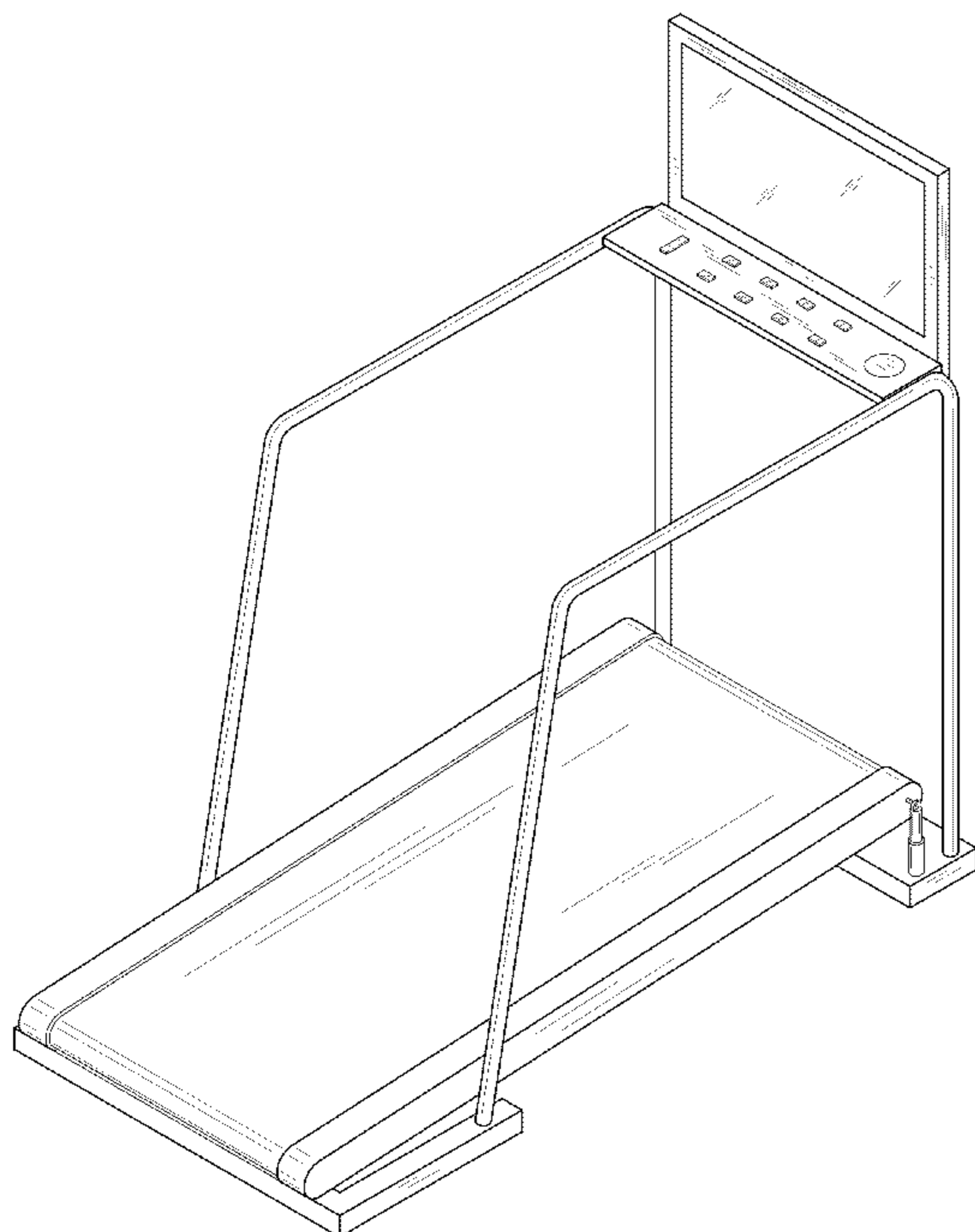
FIG. 4 is a front elevation view thereof;

FIG. 5 is a rear elevation view thereof;

FIG. 6 is a top plan view thereof; and,

FIG. 7 is a bottom plan view thereof.

1 Claim, 6 Drawing Sheets



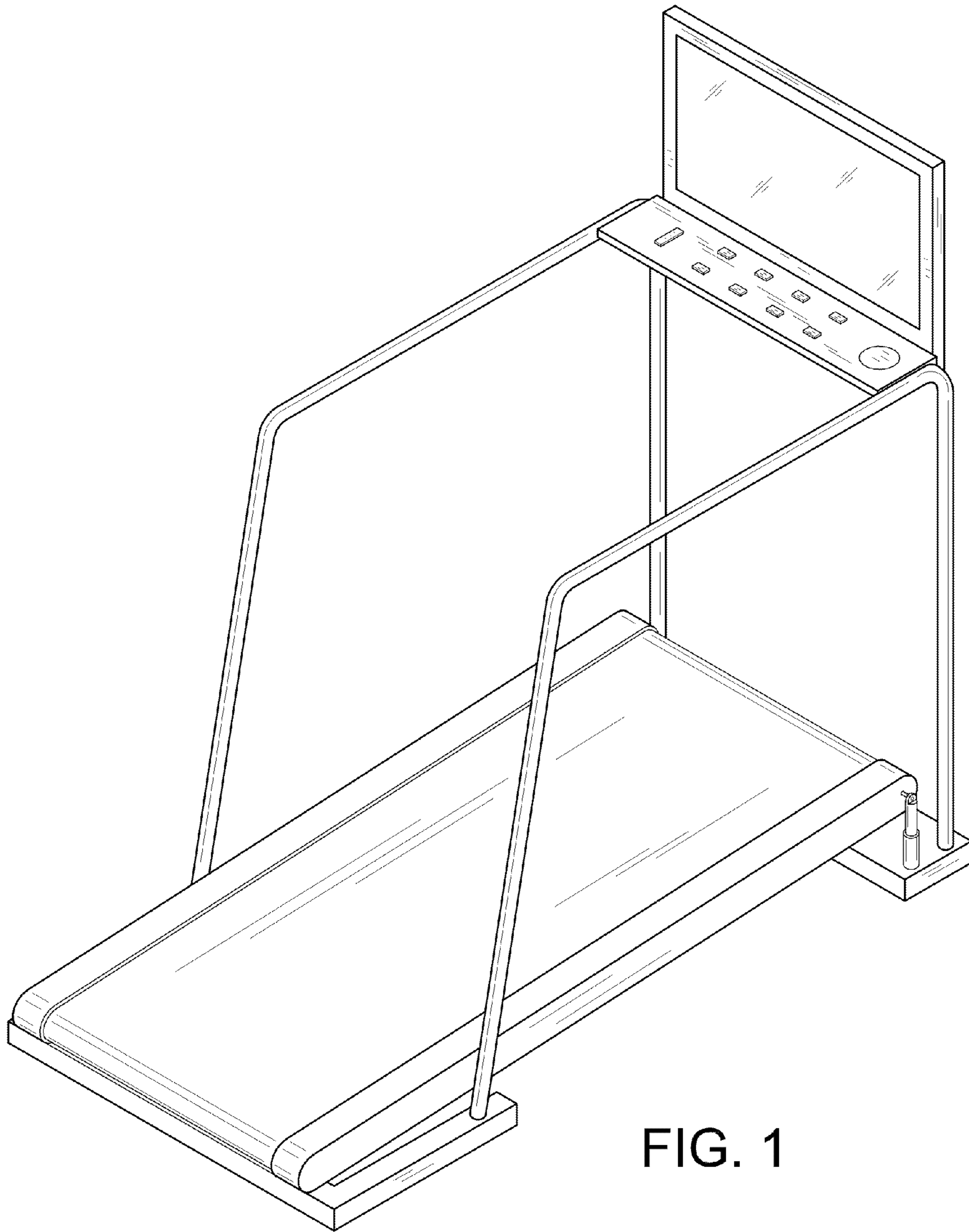


FIG. 1

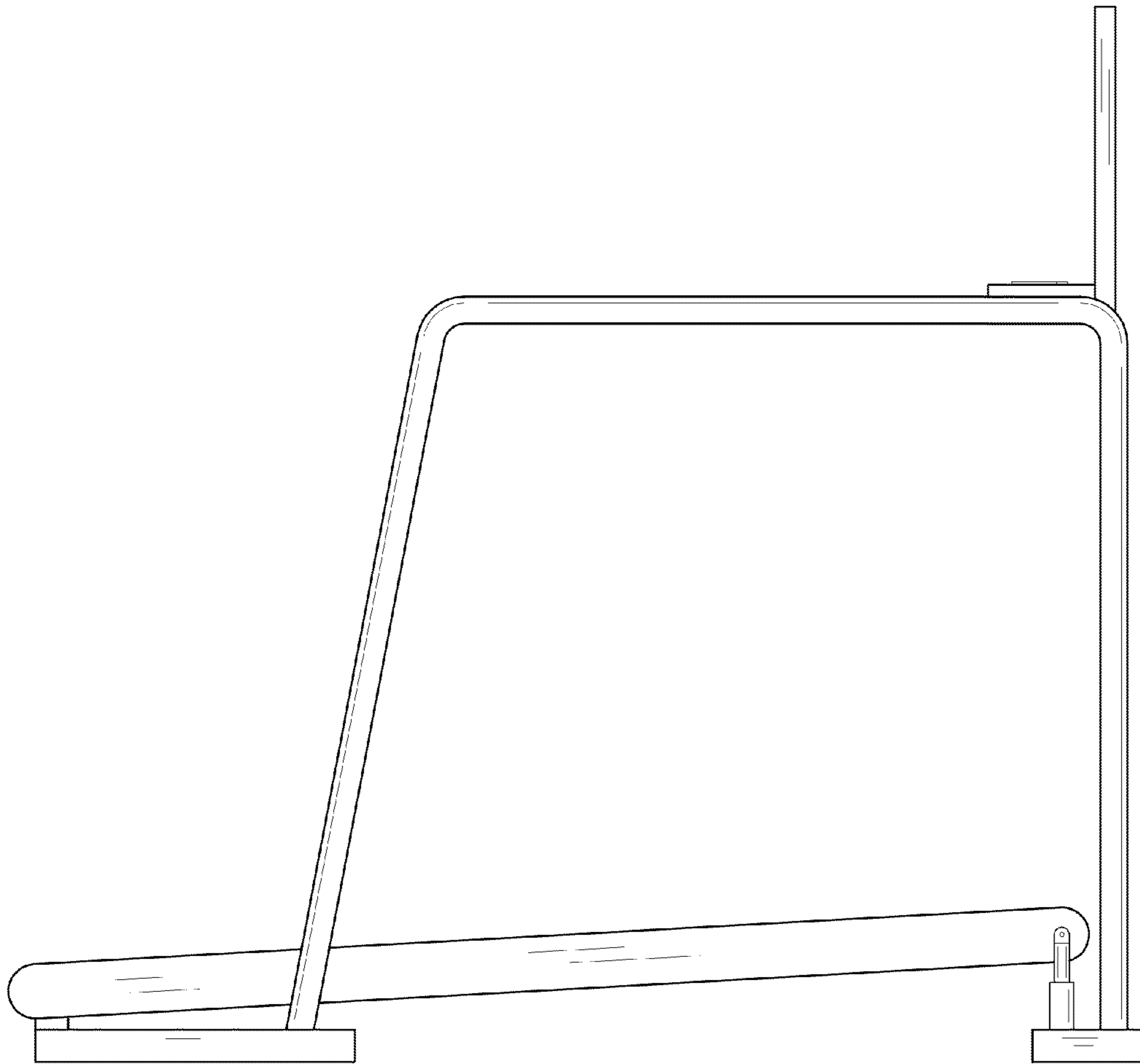


FIG. 2

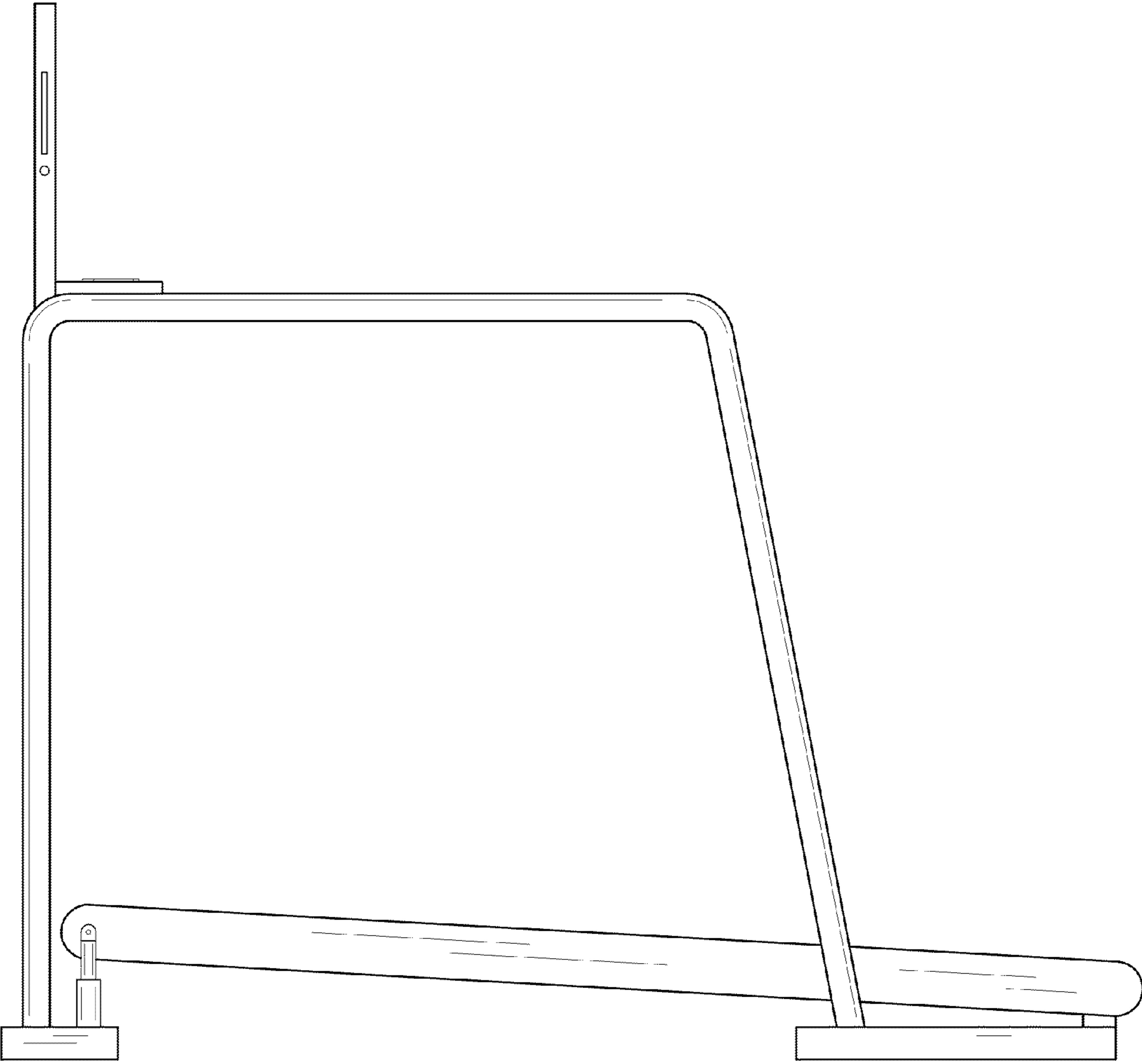


FIG. 3

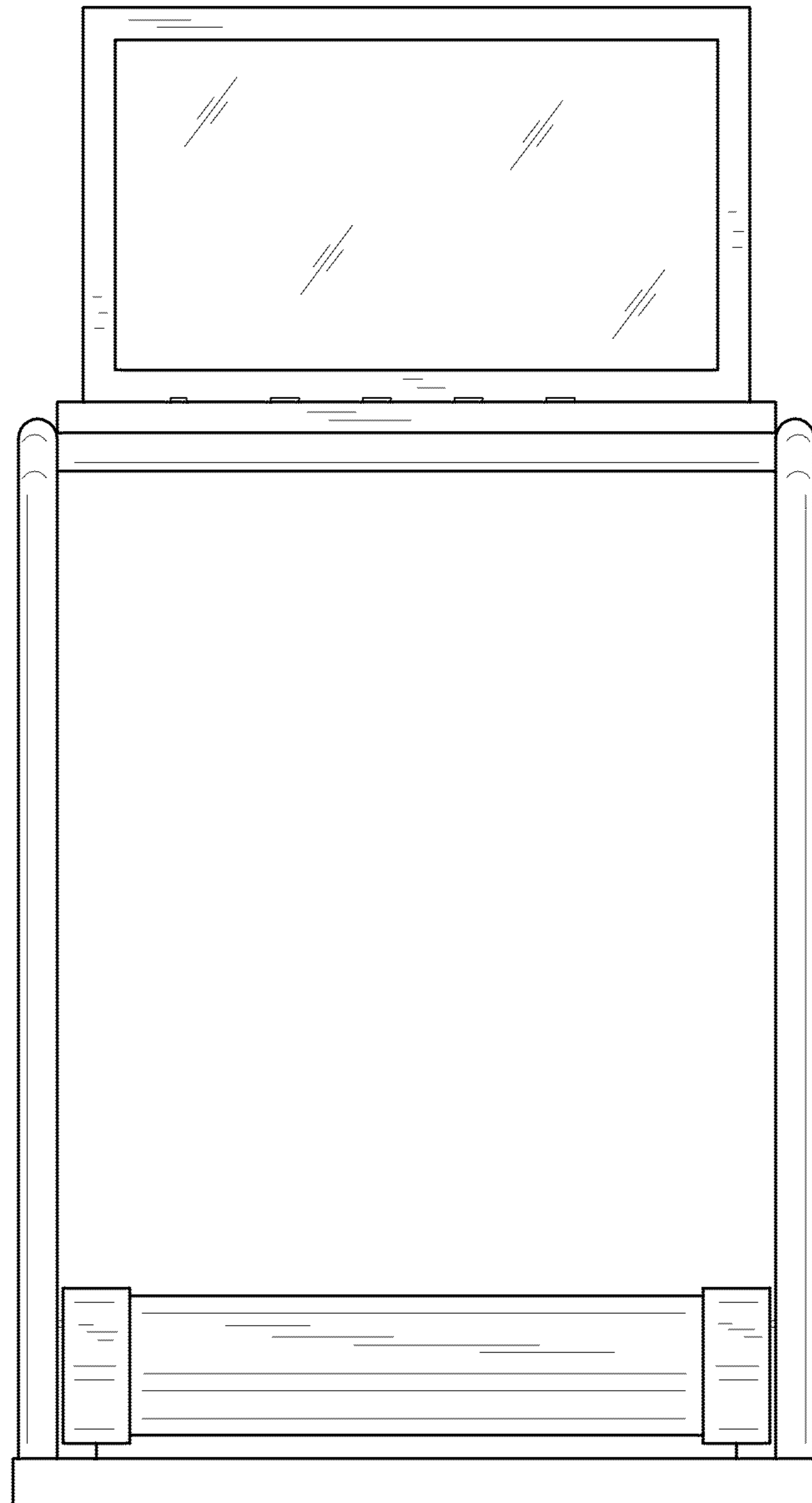


FIG. 4

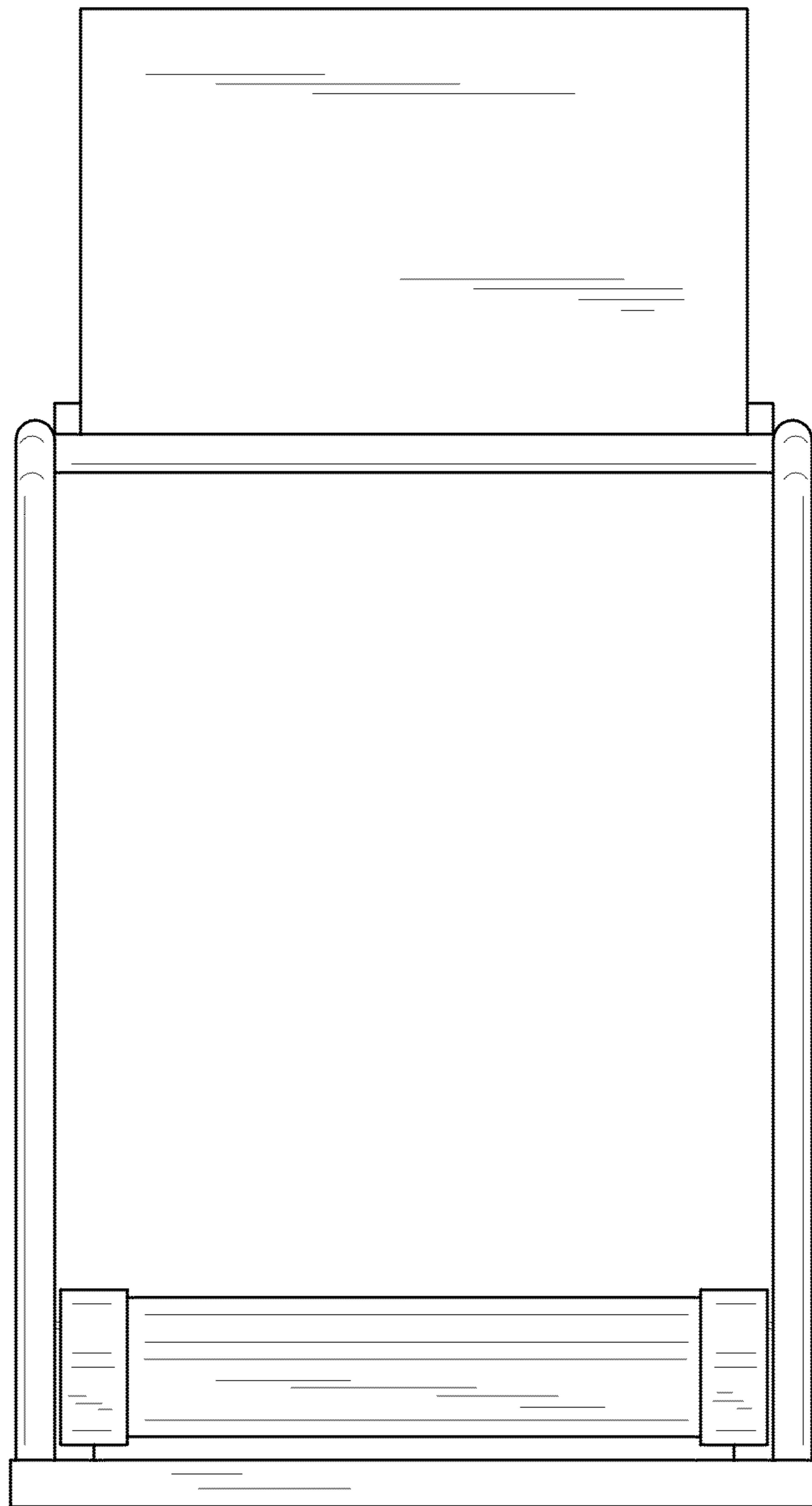


FIG. 5



FIG. 6



FIG. 7