

US00D690781S

(12) **United States Design Patent**  
**Uchytel**

(10) **Patent No.:** **US D690,781 S**

(45) **Date of Patent:** **\*\* Oct. 1, 2013**

(54) **EXERCISE DEVICE**

(71) Applicant: **Steven William Uchytel**, Costa Mesa,  
CA (US)

(72) Inventor: **Steven William Uchytel**, Costa Mesa,  
CA (US)

(\*\*) Term: **14 Years**

(21) Appl. No.: **29/433,886**

(22) Filed: **Oct. 5, 2012**

(51) **LOC (9) Cl.** ..... **21-02**

(52) **U.S. Cl.**  
USPC ..... **D21/662**; D21/694

(58) **Field of Classification Search**  
USPC ..... D21/662, 672, 684, 686, 692, 694,  
D21/798; 482/47, 48, 51, 91, 92, 121, 124,  
482/126, 130, 139; D29/100, 101.1-101.5;  
D30/153; 119/795, 796, 798, 857; 602/19,  
602/20; 128/845, 876

See application file for complete search history.

(56) **References Cited**

U.S. PATENT DOCUMENTS

3,324,851	A *	6/1967	Posner	.....	128/878
3,970,316	A *	7/1976	Westmoreland, Jr.	.....	473/212
4,610,244	A *	9/1986	Hammond	.....	128/876
D311,232	S *	10/1990	Drennan et al.	.....	D21/692
5,113,981	A *	5/1992	Lantz	.....	188/371
5,308,101	A *	5/1994	Monty	.....	280/480.1
5,711,747	A *	1/1998	Steinback	.....	482/124
5,945,060	A *	8/1999	Williams	.....	264/564
6,179,751	B1 *	1/2001	Clears	.....	482/48
D437,623	S *	2/2001	Ormsby	.....	D21/662

D439,942	S *	4/2001	Ray	.....	D21/694
6,368,255	B1 *	4/2002	Chan-Rouse	.....	482/91
6,450,930	B1 *	9/2002	Kroke	.....	482/121
6,817,967	B1 *	11/2004	Ott et al.	.....	482/48
7,402,147	B1 *	7/2008	Allen	.....	602/20
7,651,451	B2 *	1/2010	Jensen	.....	482/124
7,731,633	B1 *	6/2010	Williams	.....	482/47
D642,644	S *	8/2011	Cutler	.....	D21/771
8,118,719	B1 *	2/2012	Stassi	.....	482/124
8,343,018	B2 *	1/2013	Moulton	.....	482/91
2006/0249097	A1 *	11/2006	Goldberg	.....	119/771
2007/0129216	A1 *	6/2007	Ott et al.	.....	482/48
2007/0254780	A1 *	11/2007	Findeisen	.....	482/48

\* cited by examiner

*Primary Examiner* — Susan E Krakower

(74) *Attorney, Agent, or Firm* — Rutan & Tucker LLP; Hani Z. Sayed

(57) **CLAIM**

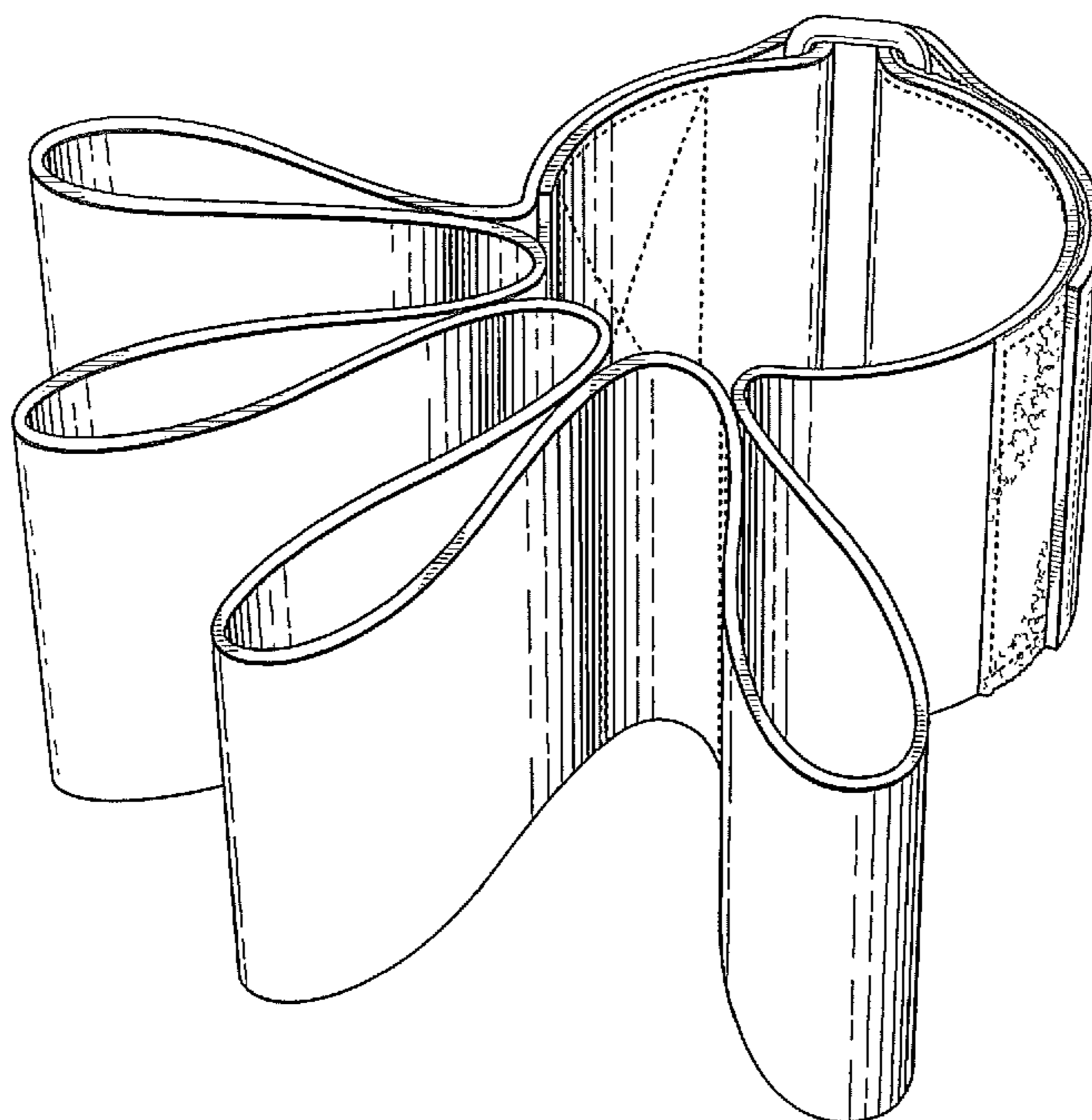
The ornamental design for exercise device, as shown and described.

**DESCRIPTION**

FIG. 1 is a top, front, right side perspective view of an exercise device showing the present invention; FIG. 2 is a front elevation view thereof; FIG. 3 is a top plan view thereof; FIG. 4 is a rear elevation view thereof; FIG. 5 is a right side elevation view thereof; and, FIG. 6 is a left side elevation view thereof.

It is understood that the short evenly dashed broken lines within the claimed design indicates stitch lines, which form part of the claim.

**1 Claim, 3 Drawing Sheets**



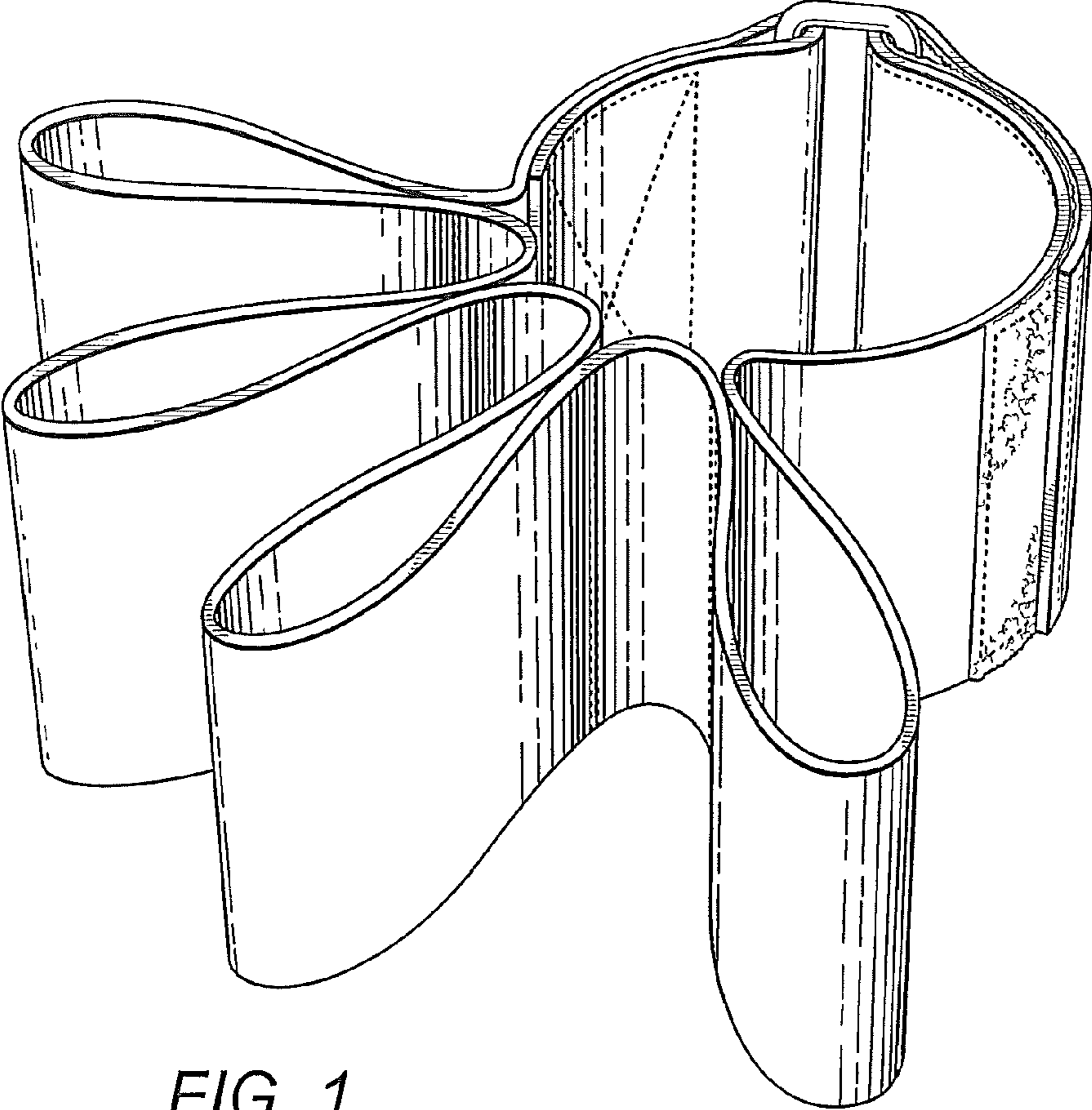


FIG. 1

FIG. 2

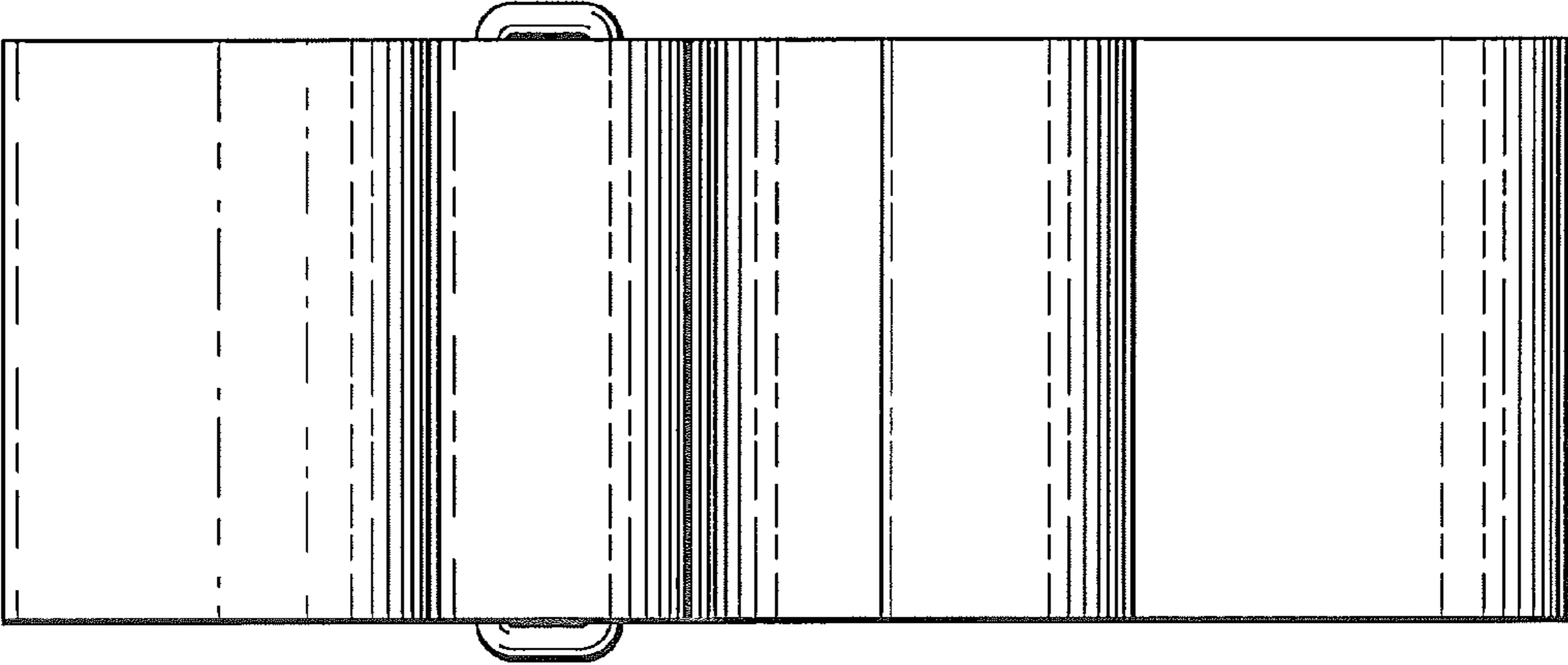
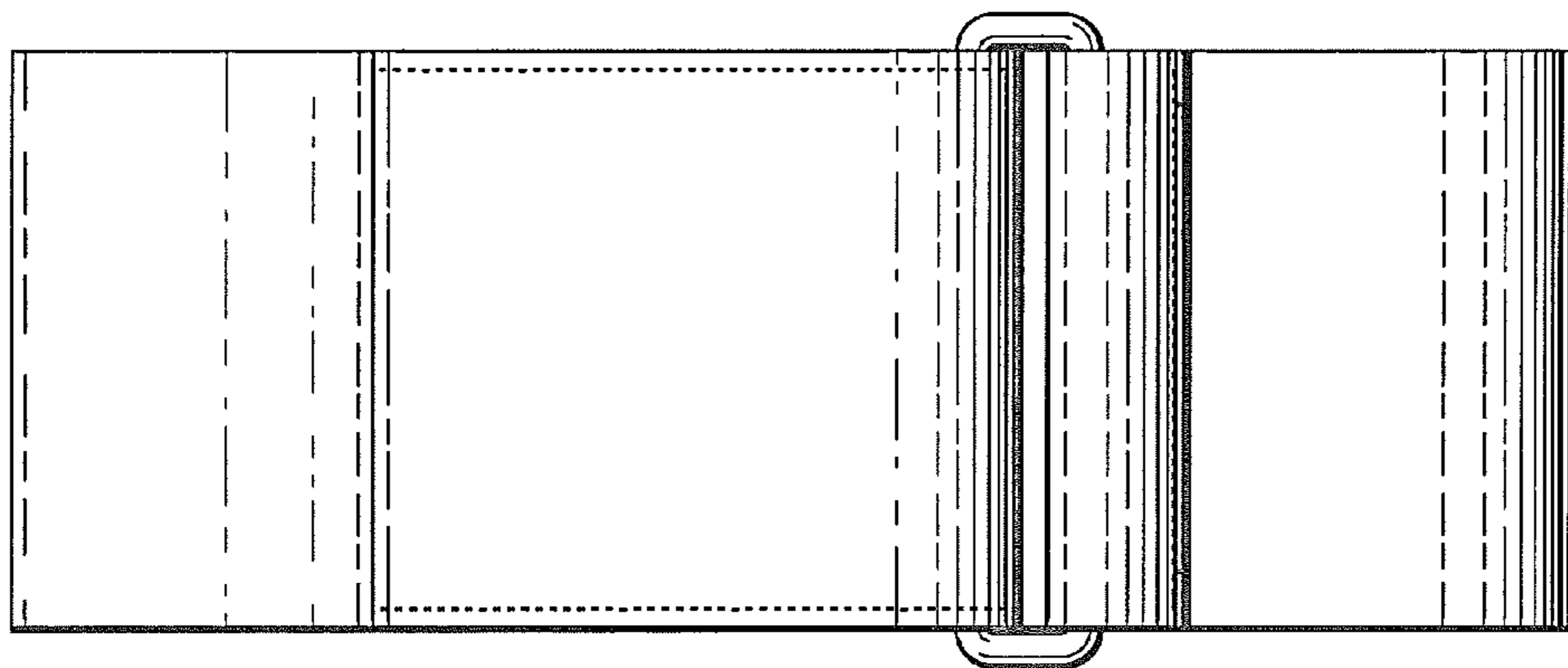




FIG. 3

FIG. 4



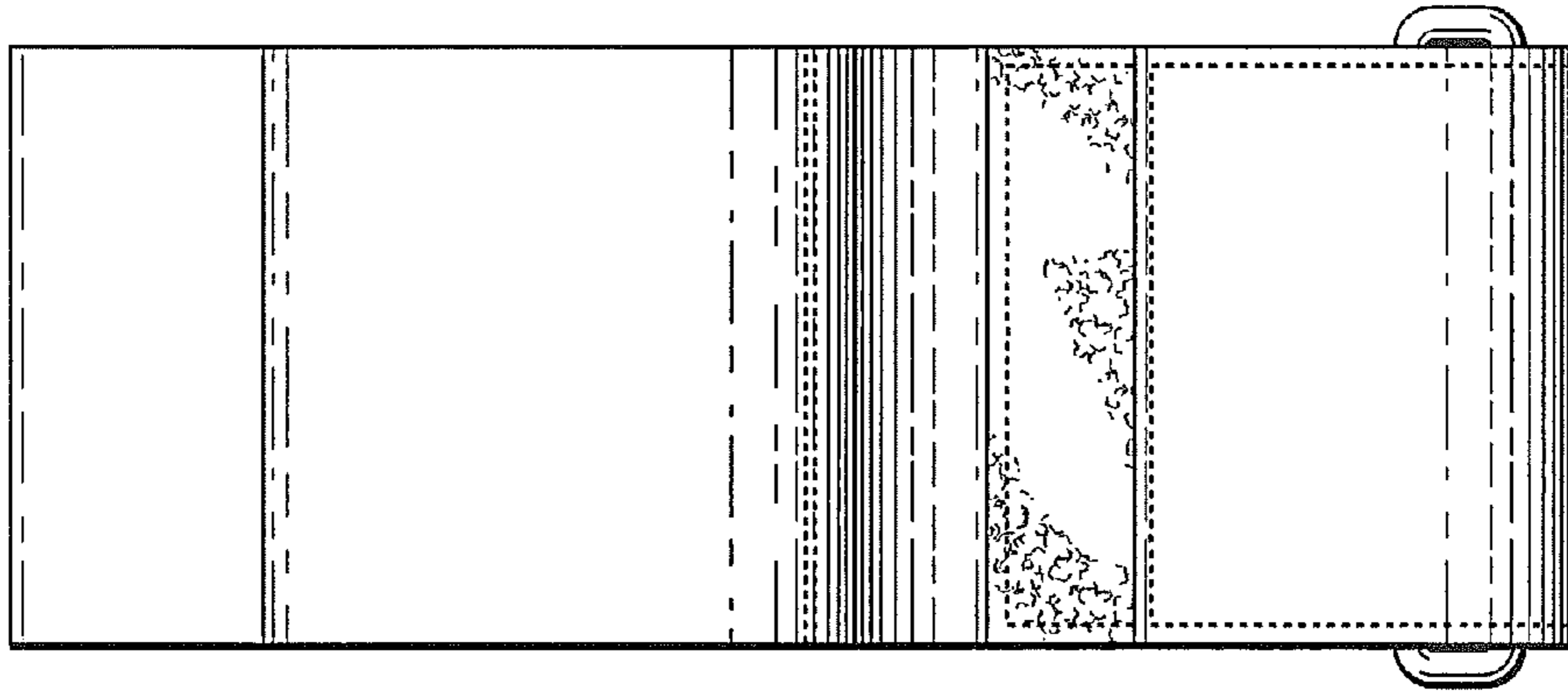


FIG. 5

FIG. 6

