



US00D690778S

(12) **United States Design Patent**
Lee

(10) **Patent No.:** **US D690,778 S**

(45) **Date of Patent:** **** Oct. 1, 2013**

(54) **AIMING ELEMENT FOR A TOY GUN KIT**

(76) Inventor: **Chi Keung Lee**, Tsuen Wan (HK)

(**) Term: **14 Years**

(21) Appl. No.: **29/389,341**

(22) Filed: **Apr. 11, 2011**

(51) **LOC (9) Cl.** **21-01**

(52) **U.S. Cl.**
USPC **D21/573**

(58) **Field of Classification Search**
USPC D21/570, 573, 574; D22/108, 109,
D22/110; 124/87; 42/111, 125, 127, 128,
42/132, 133, 136, 137, 141, 142, 143, 144,
42/145

See application file for complete search history.

(56) **References Cited**

U.S. PATENT DOCUMENTS

3,088,451	A *	5/1963	Crosby et al.	124/27
D348,700	S *	7/1994	Lin	D21/570
5,975,068	A *	11/1999	Halter et al.	124/63
D526,380	S *	8/2006	Swan	D22/109
7,356,962	B2 *	4/2008	Swan	42/147
D635,634	S *	4/2011	Swan	D22/109
D637,259	S *	5/2011	Swan	D22/109
D637,261	S *	5/2011	Swan	D22/109
8,015,744	B1 *	9/2011	Swan	42/147
2011/0296734	A1 *	12/2011	Troy	42/135
2012/0180368	A1 *	7/2012	Haley et al.	42/132

* cited by examiner

Primary Examiner — Cynthia M Chin

(74) *Attorney, Agent, or Firm* — Jason J. Su; Tech Miner, LLC

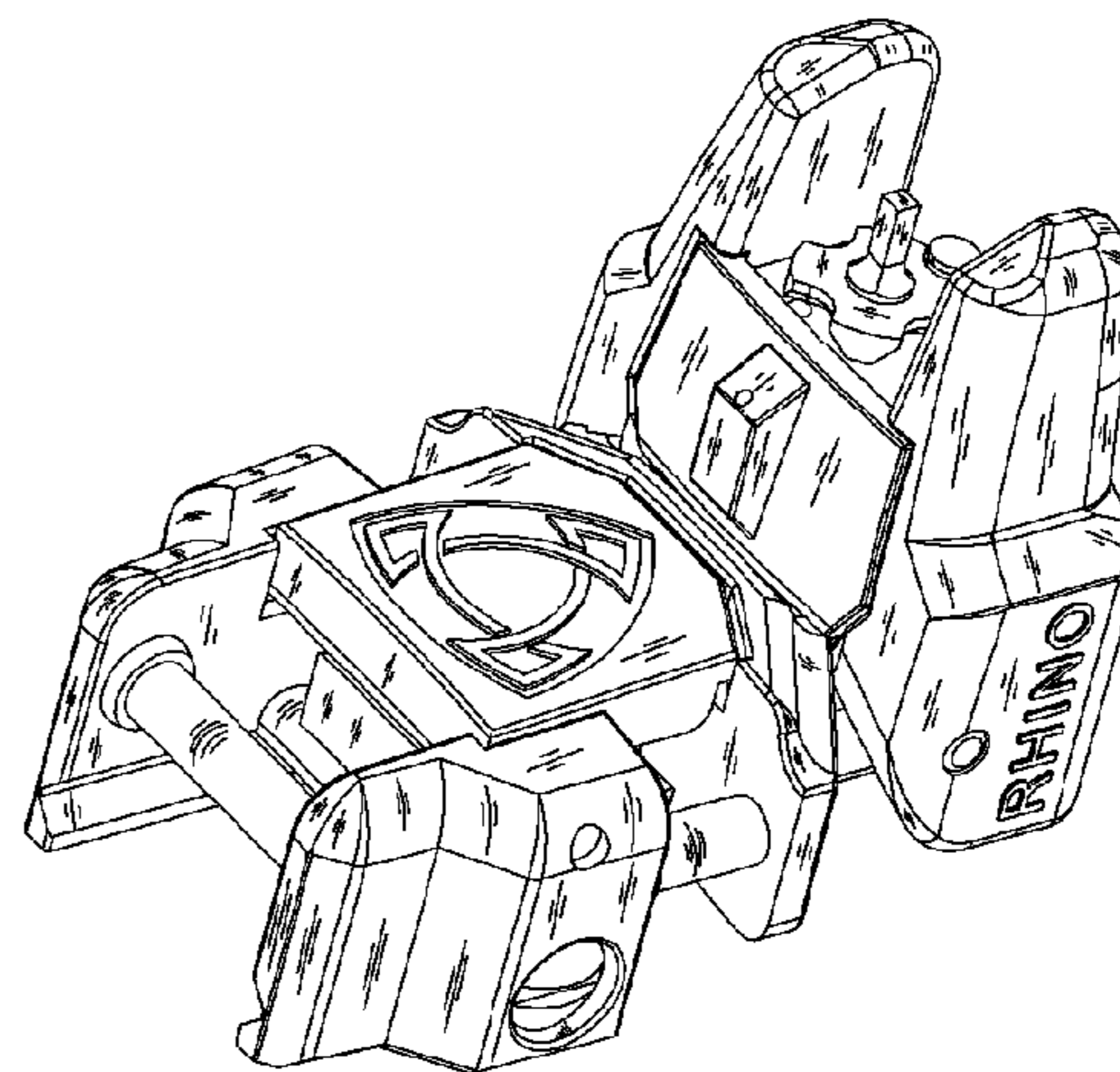
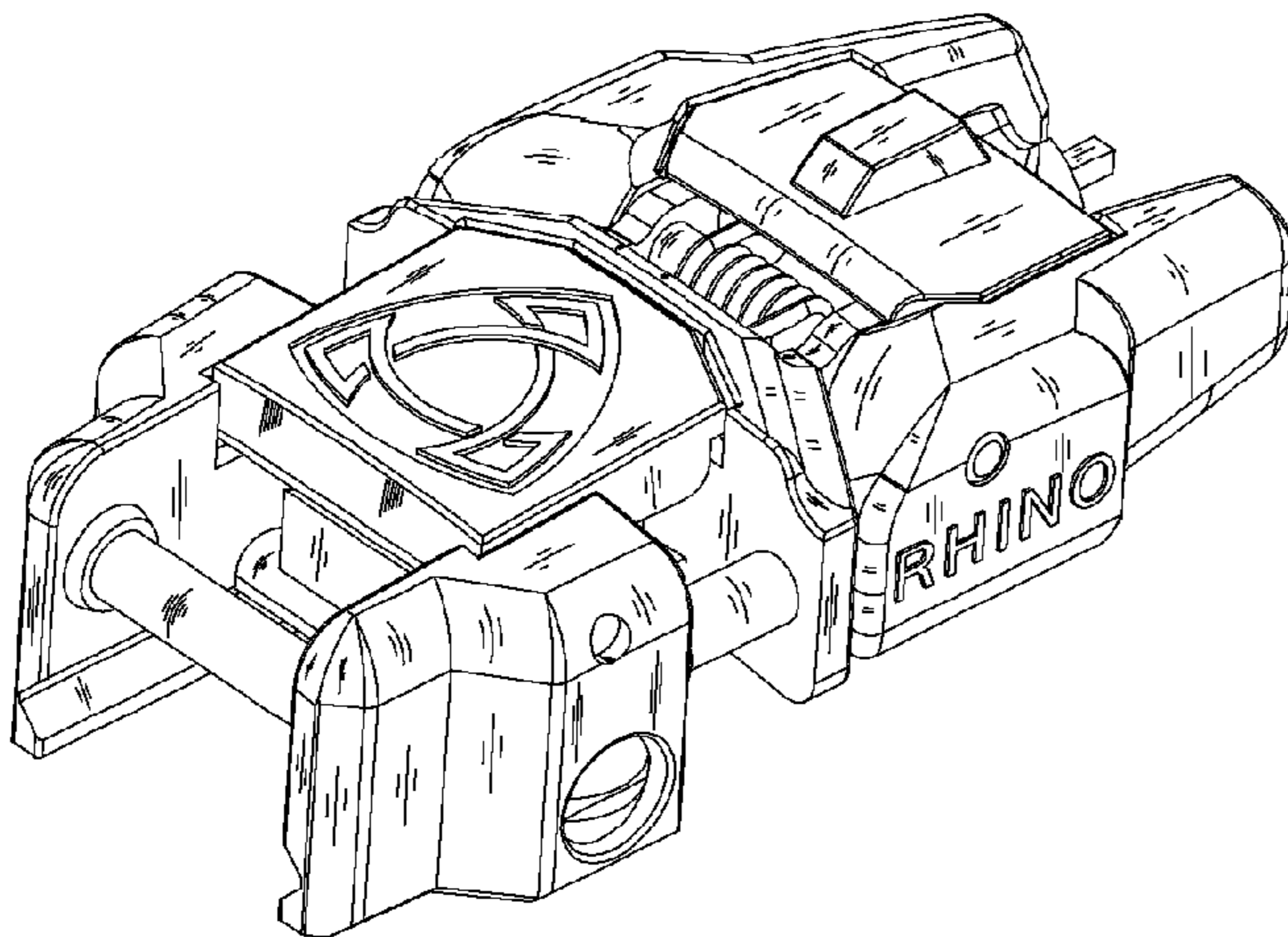
(57) **CLAIM**

The ornamental design for an aiming element for toy gun kit, as shown and described.

DESCRIPTION

FIG. 1 is a front view of the aiming element for toy gun kit showing my new design;
FIG. 2 is a back view thereof;
FIG. 3 is a left view thereof;
FIG. 4 is a right view thereof;
FIG. 5 is a top view thereof;
FIG. 6 is a bottom view thereof;
FIG. 7 is a perspective view thereof;
FIG. 8 is a front view in a flip-up position thereof;
FIG. 9 is a back view in a flip-up position thereof;
FIG. 10 is a left view in a flip-up position thereof;
FIG. 11 is a right view in a flip-up position thereof;
FIG. 12 is a top view in a flip-up position thereof;
FIG. 13 is a bottom view in a flip-up position thereof; and,
FIG. 14 is a perspective view in a flip-up position thereof.
The broken lines represent portions of the article that form no part of the claim.

1 Claim, 5 Drawing Sheets



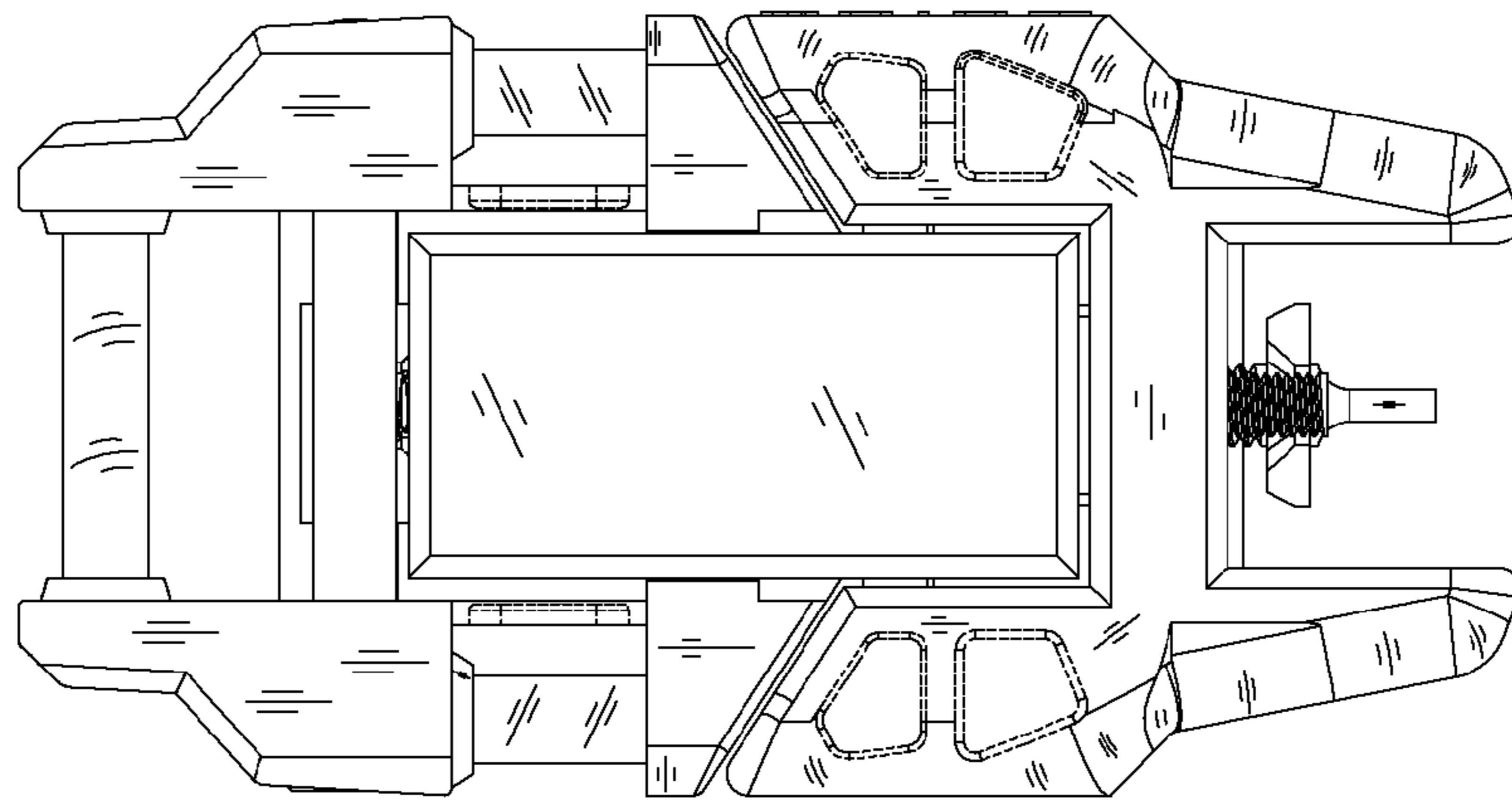


Fig. 1

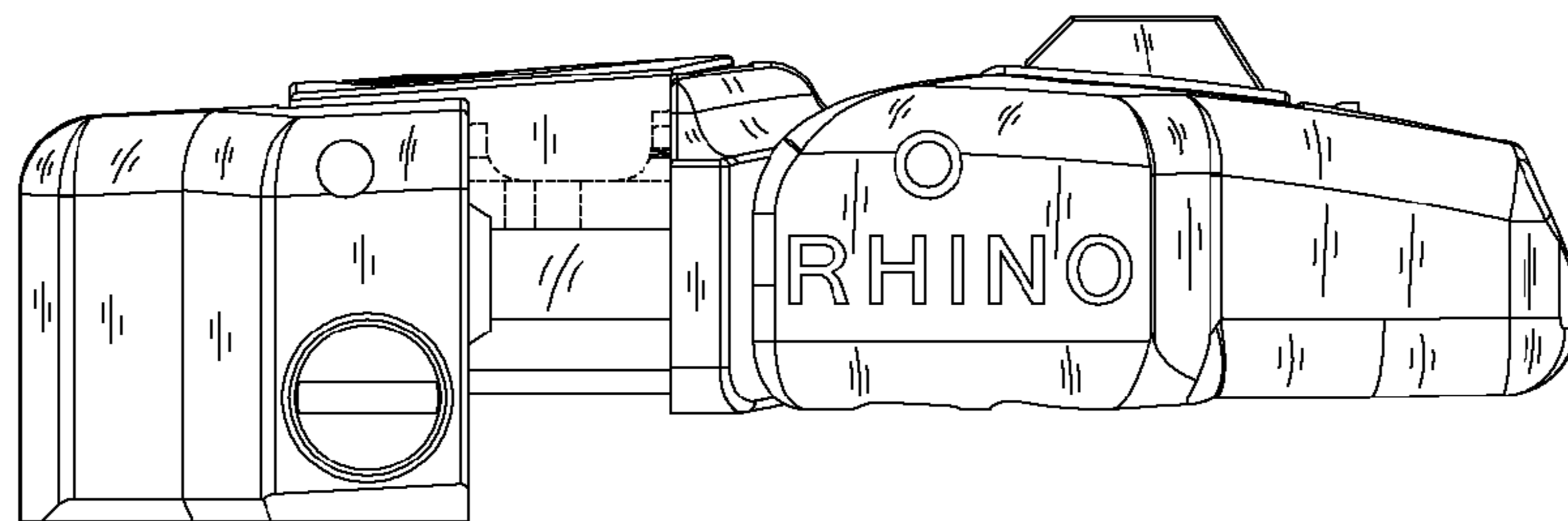


Fig. 2

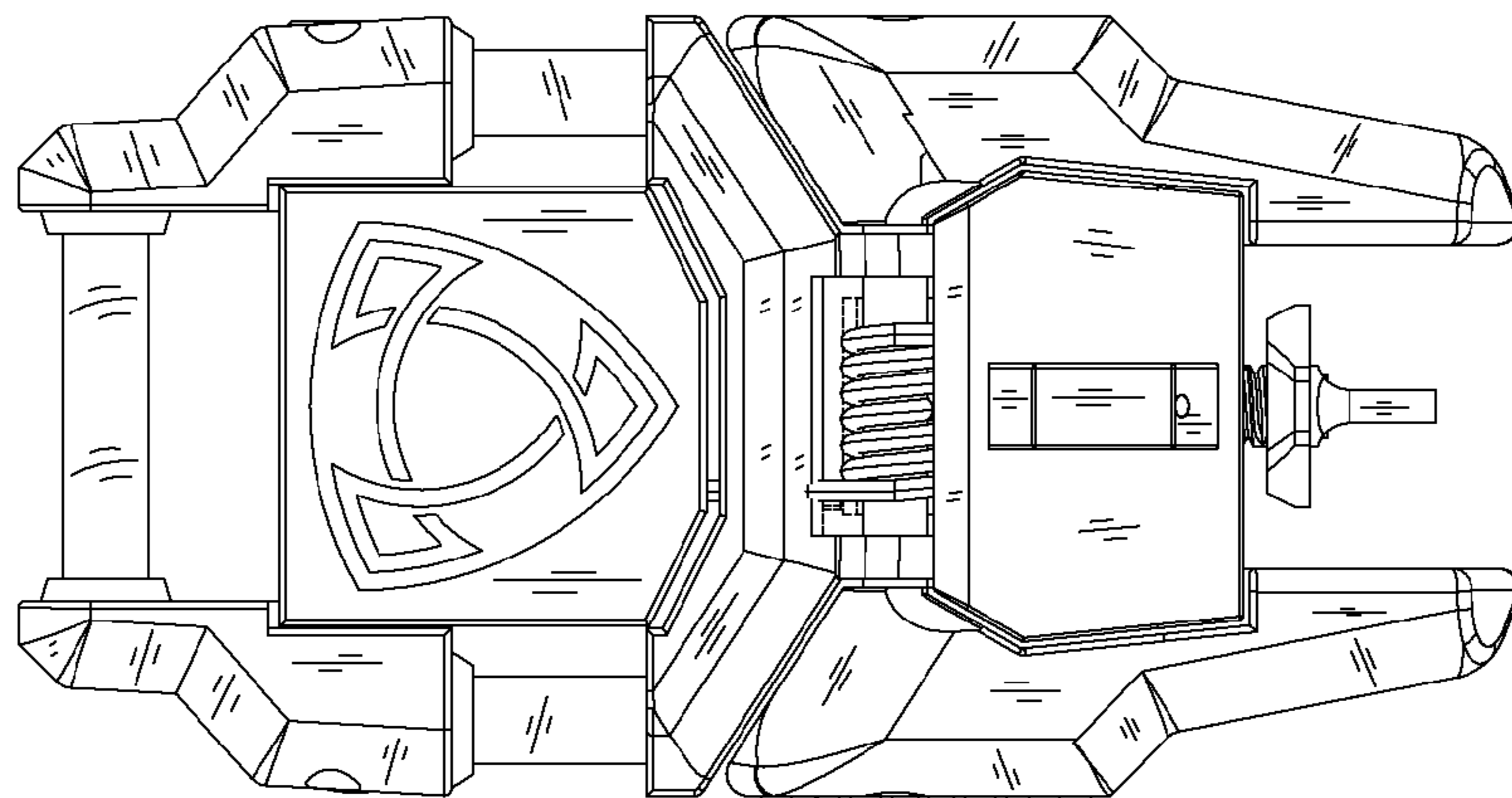


Fig. 3

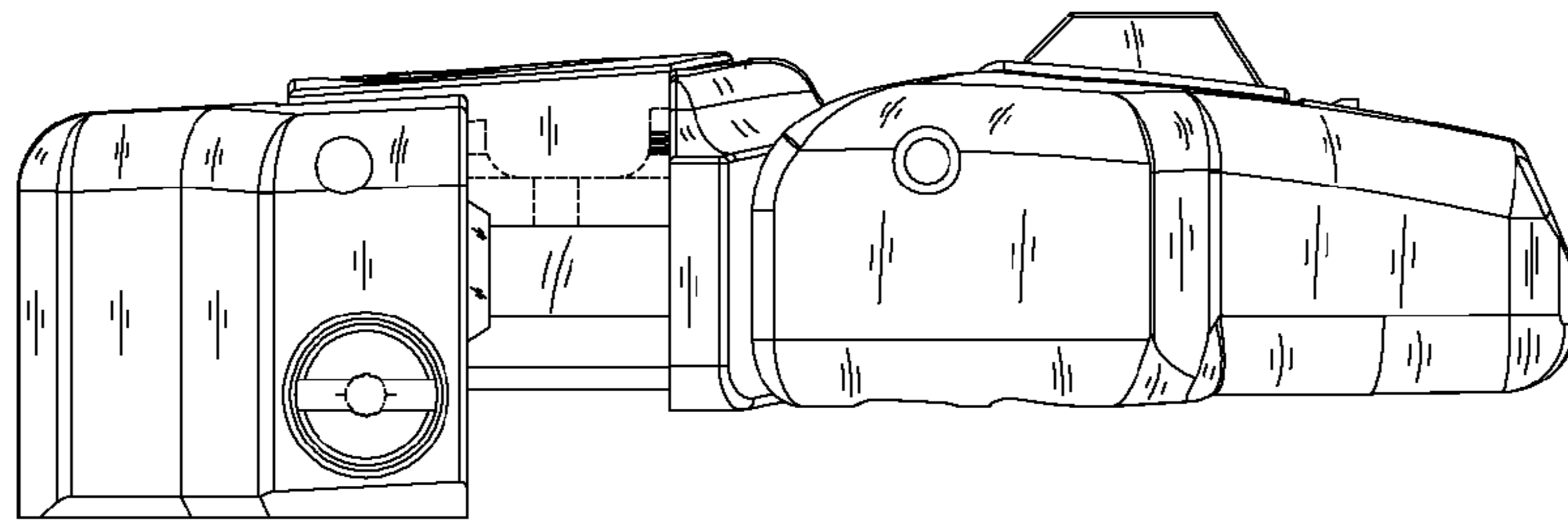


Fig. 4

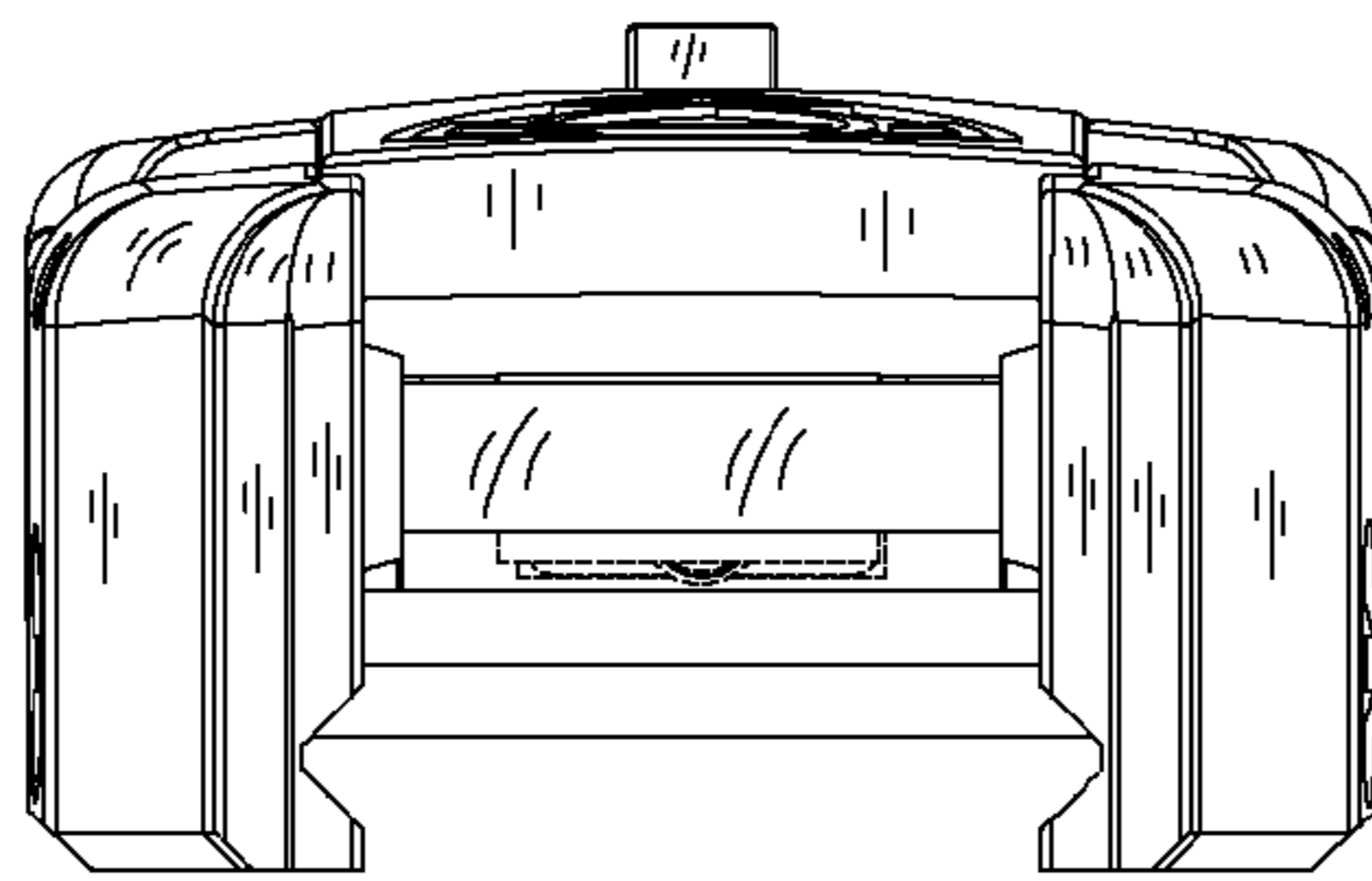


Fig. 5

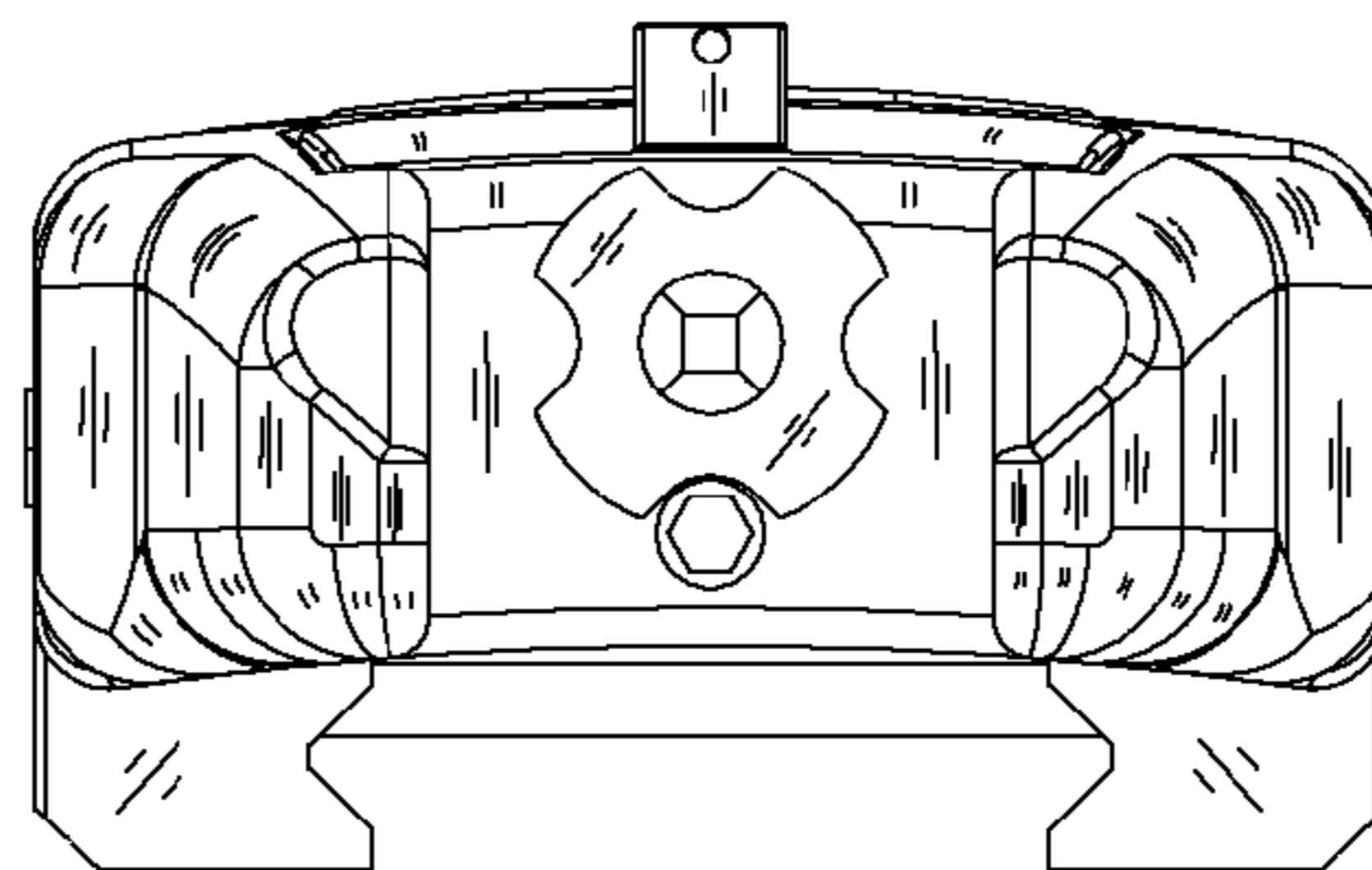


Fig. 6

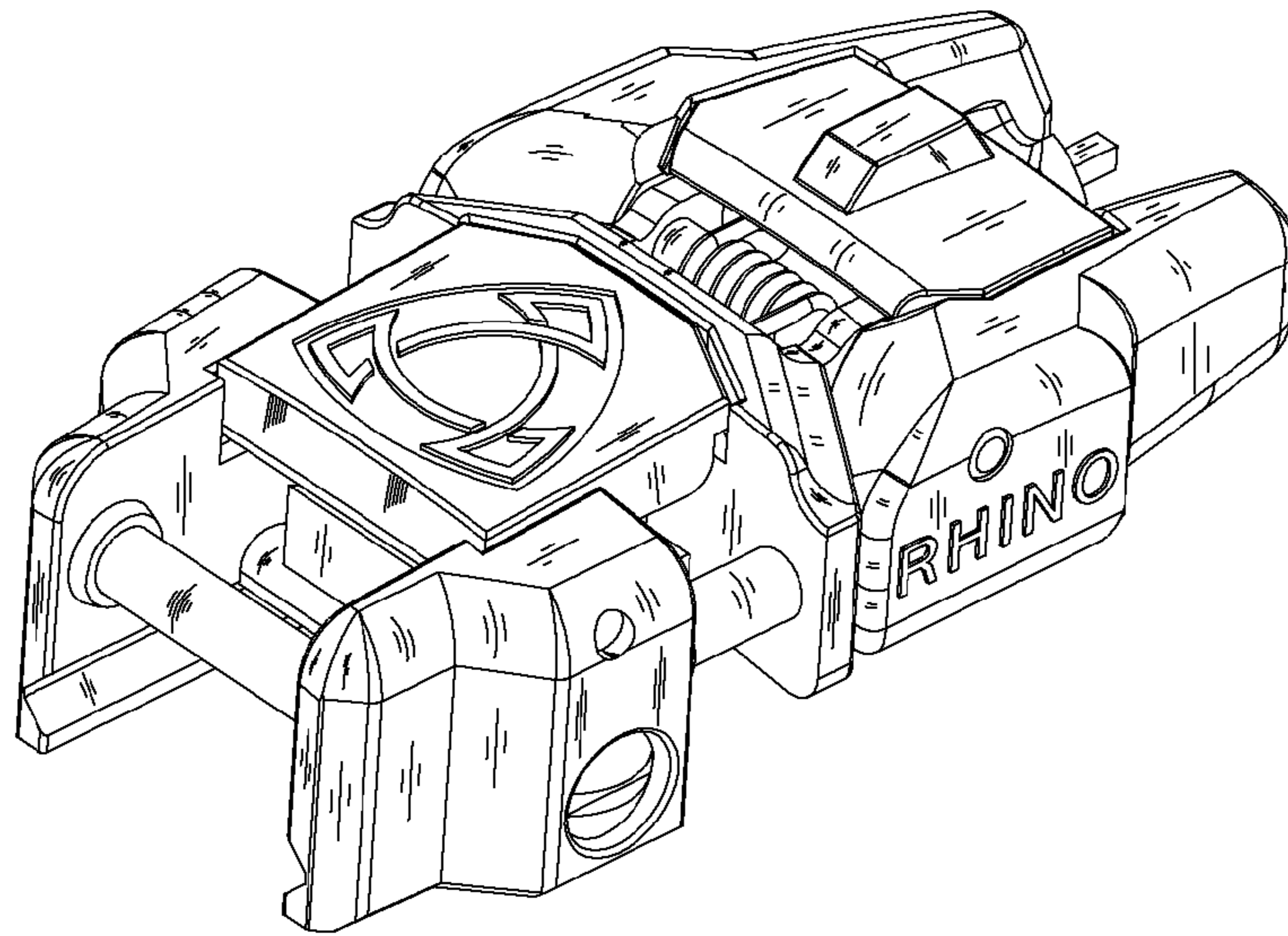


Fig. 7

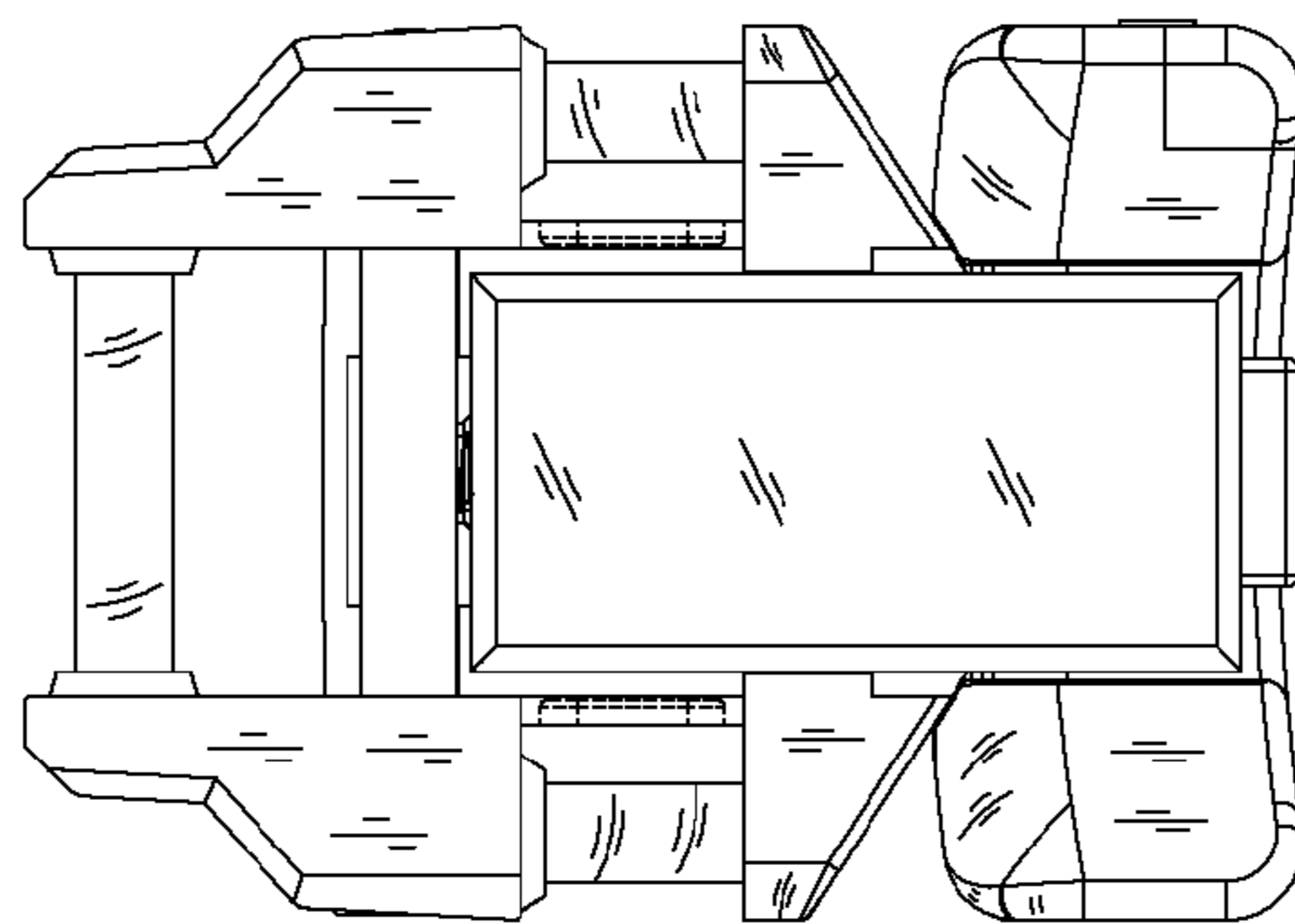


Fig. 8

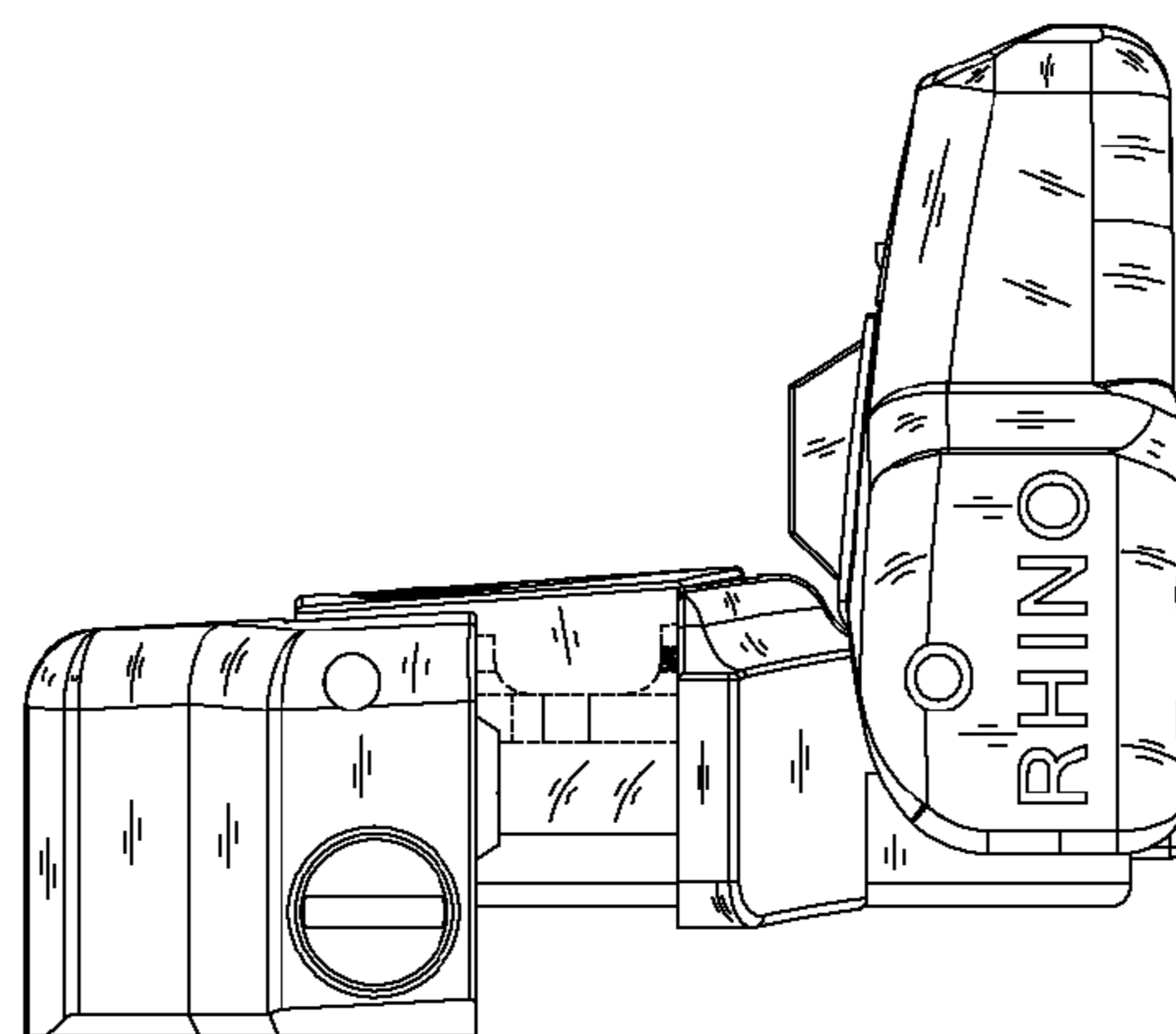


Fig. 9

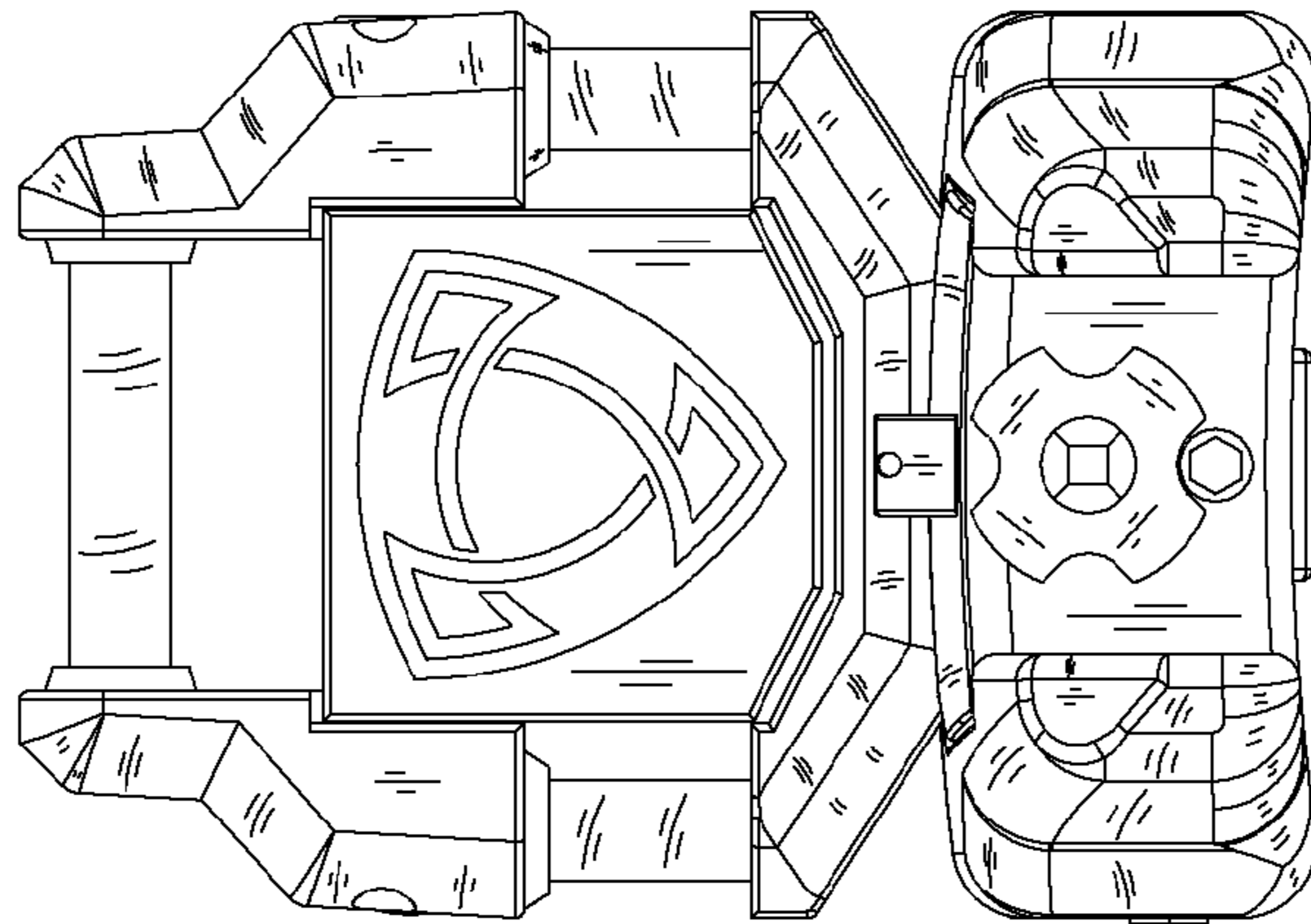


Fig. 10

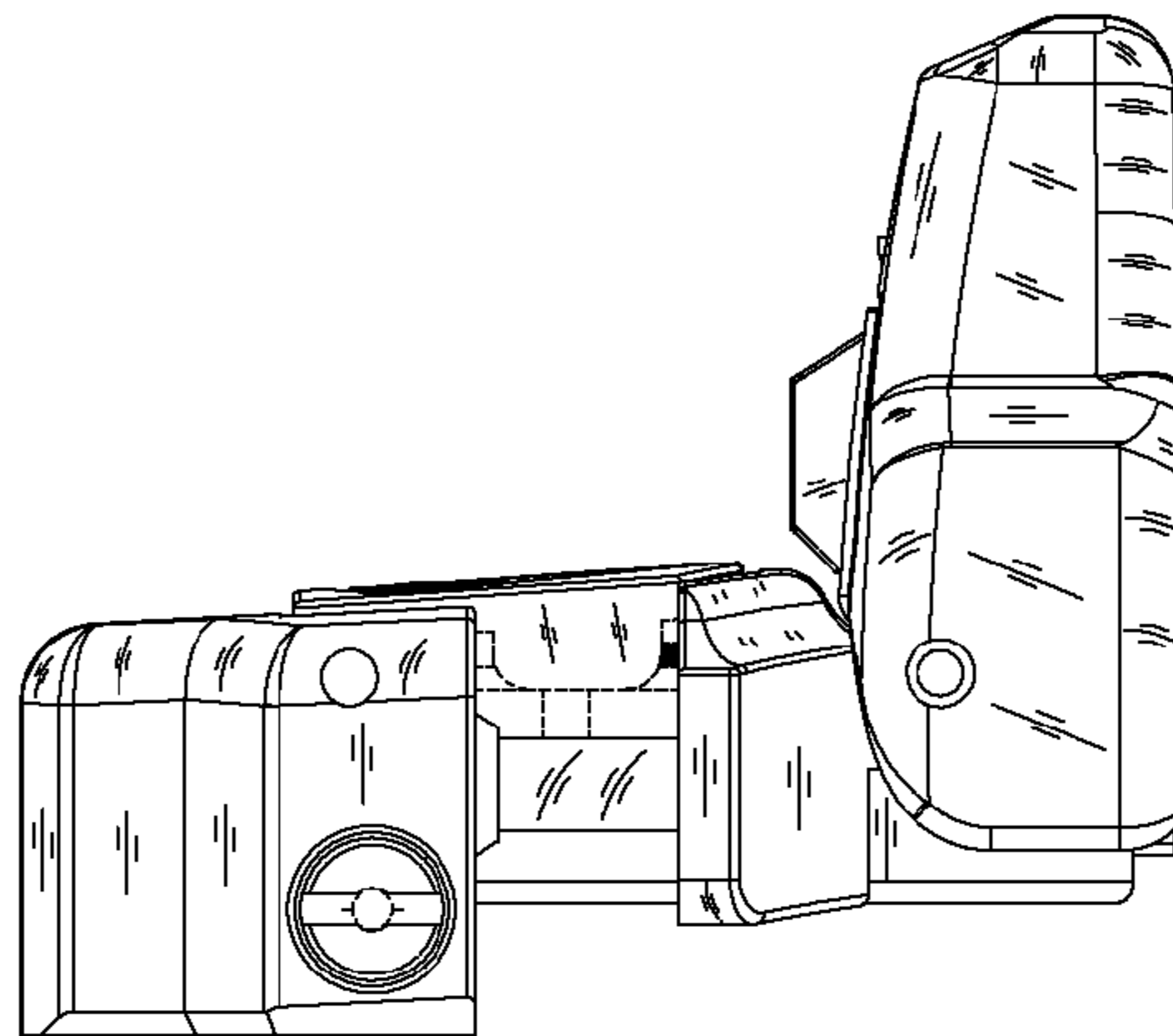


Fig. 11

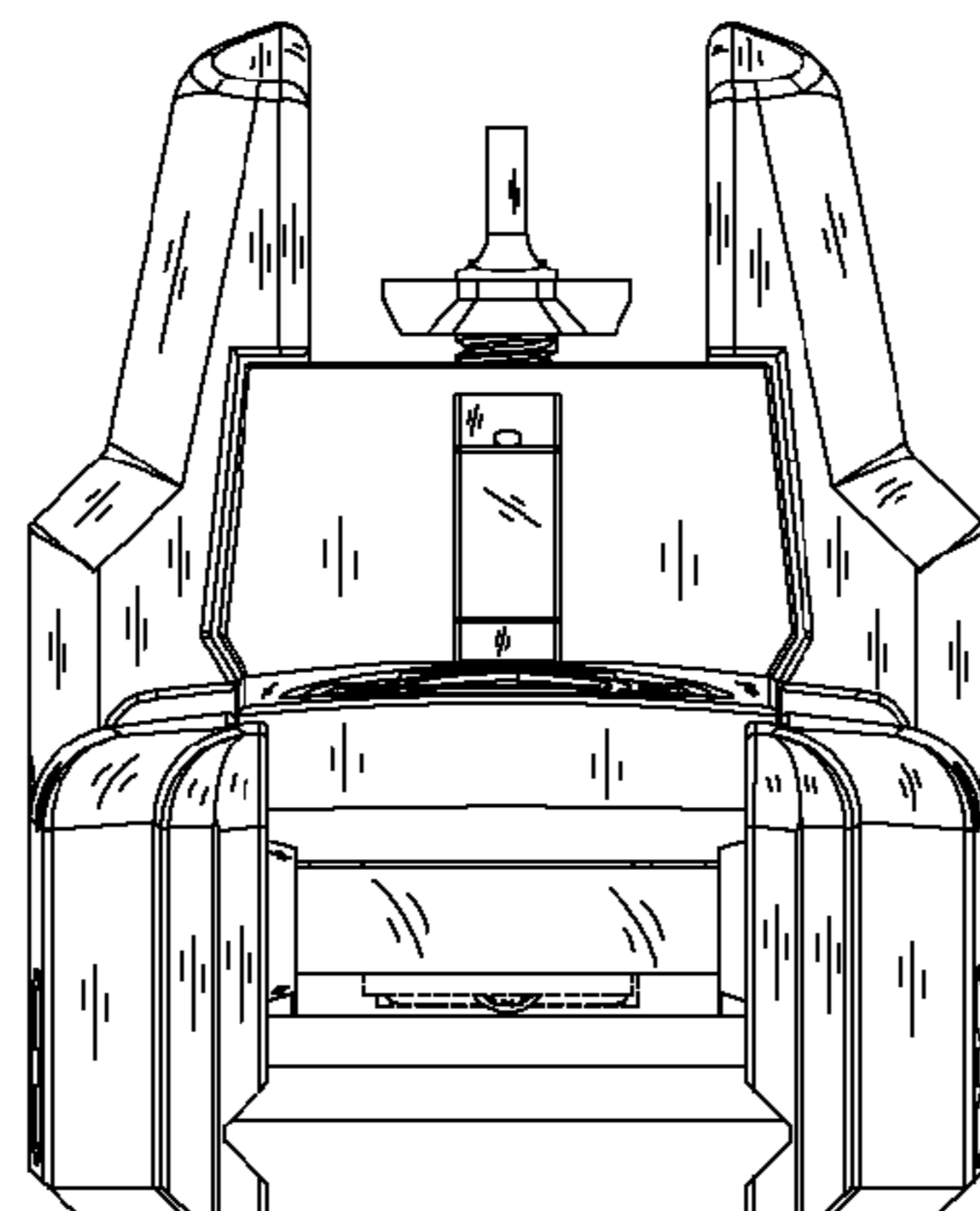


Fig. 12

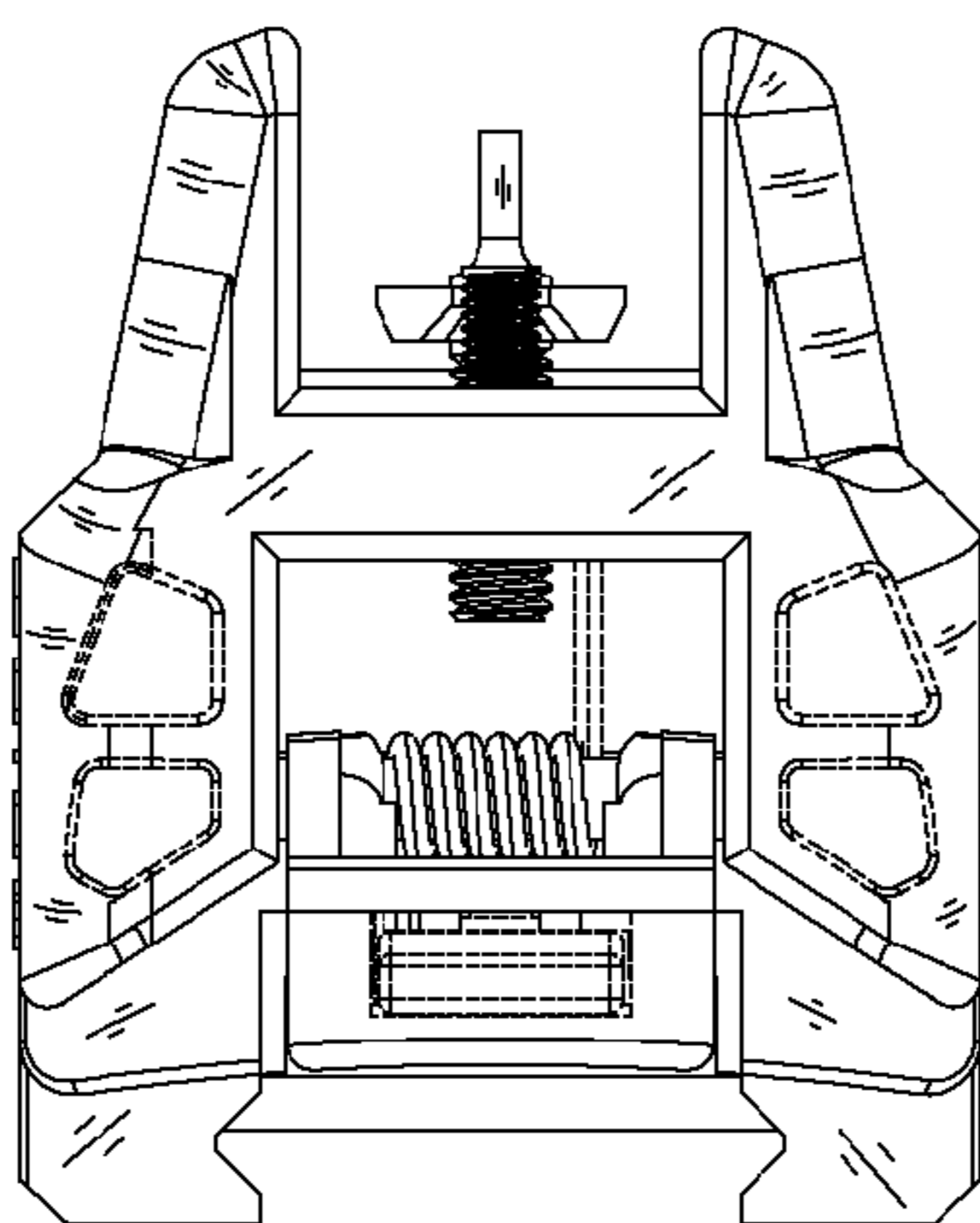


Fig. 13

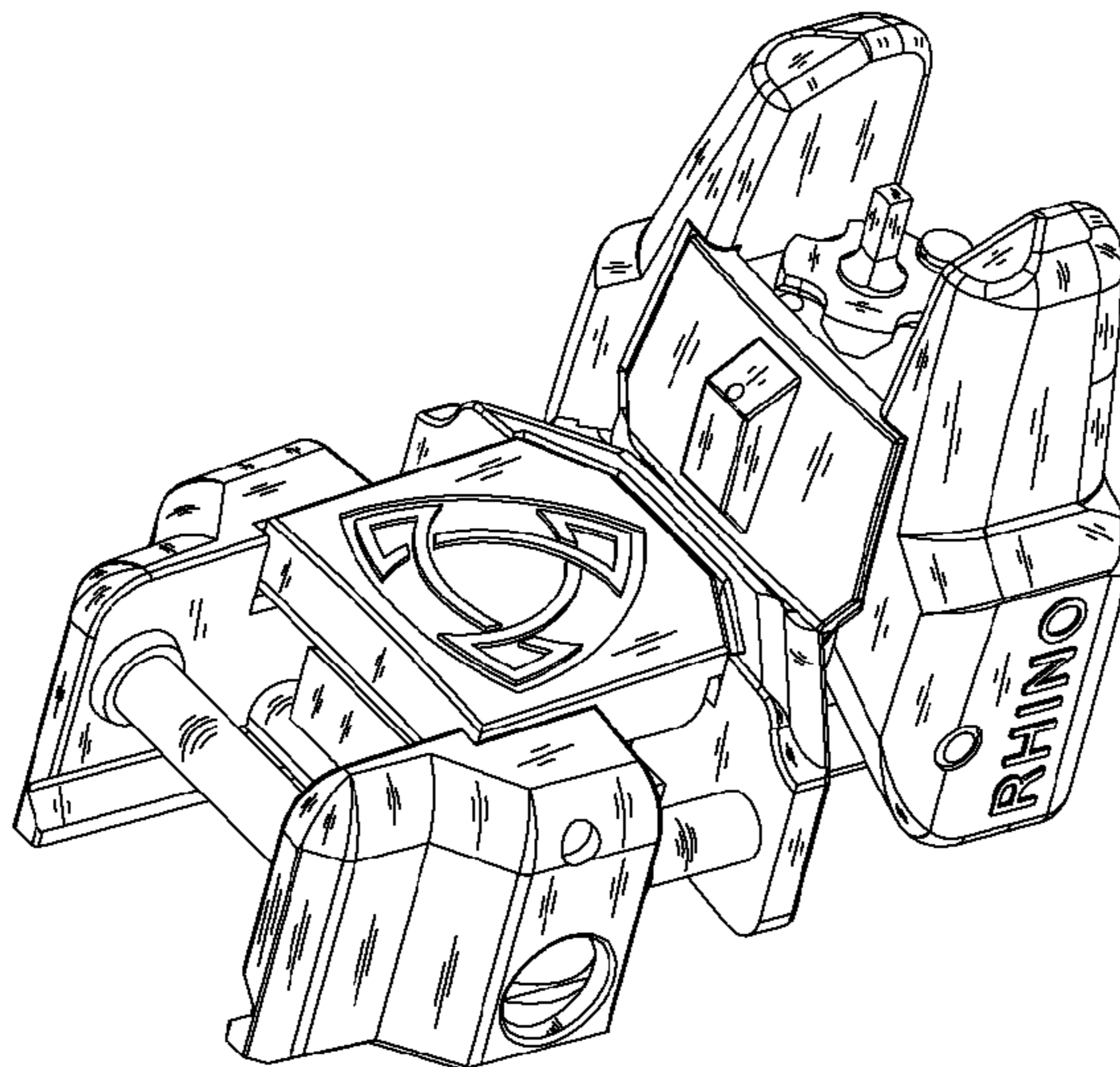


Fig. 14