



US00D690775S

(12) **United States Design Patent**  
**Chen**

(10) **Patent No.:** **US D690,775 S**

(45) **Date of Patent:** **\*\* Oct. 1, 2013**

(54) **PLASTIC SUCTION CUP DART**

(76) Inventor: **Shaoyun Chen**, Shantou (CN)

(\*\*) Term: **14 Years**

(21) Appl. No.: **29/420,387**

(22) Filed: **May 8, 2012**

(51) **LOC (9) Cl.** ..... **21-01**

(52) **U.S. Cl.**  
USPC ..... **D21/387**

(58) **Field of Classification Search**  
USPC ..... D21/387, 437, 707, 711; 473/572,  
473/578; 237/348.2

See application file for complete search history.

(56) **References Cited**

**U.S. PATENT DOCUMENTS**

1,774,765	A *	9/1930	Schoen	.....	473/572
5,358,253	A *	10/1994	Chen	.....	273/348.2
D622,325	S *	8/2010	Walterscheid	.....	D21/387
8,012,049	B1 *	9/2011	Walterscheid	.....	473/578

\* cited by examiner

*Primary Examiner* — George D Kirschbaum

(74) *Attorney, Agent, or Firm* — LaMorte & Associates P.C.

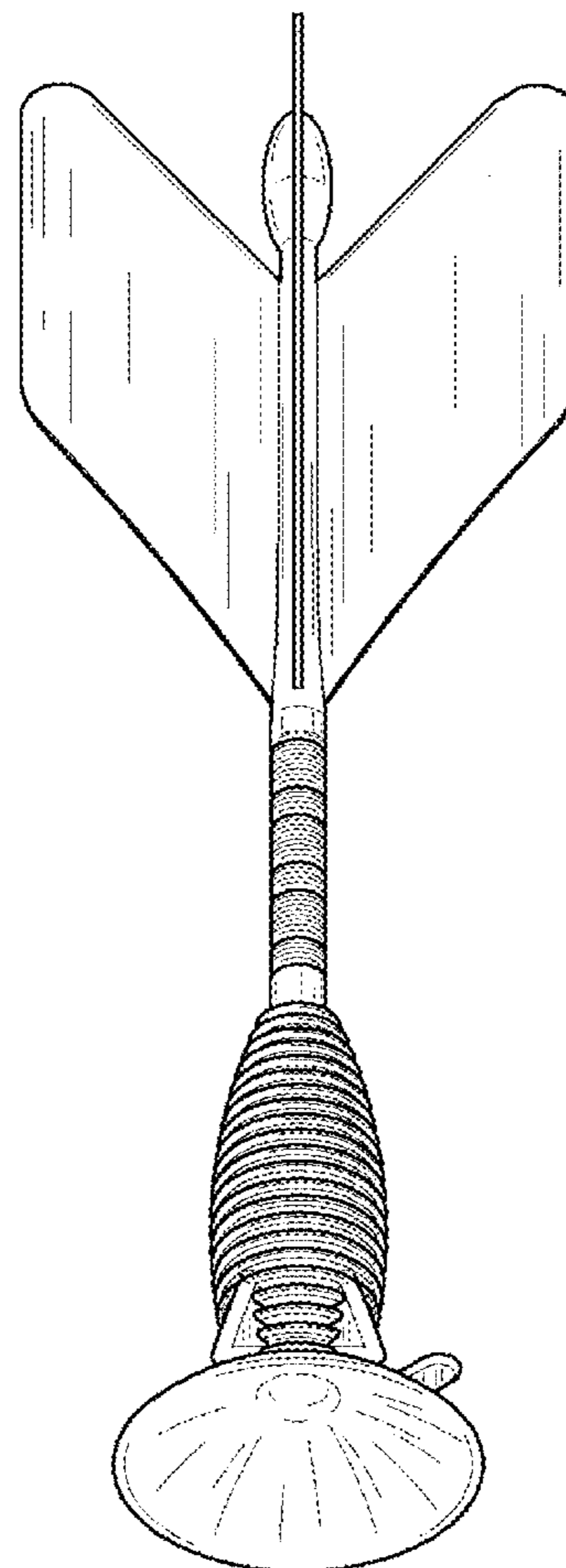
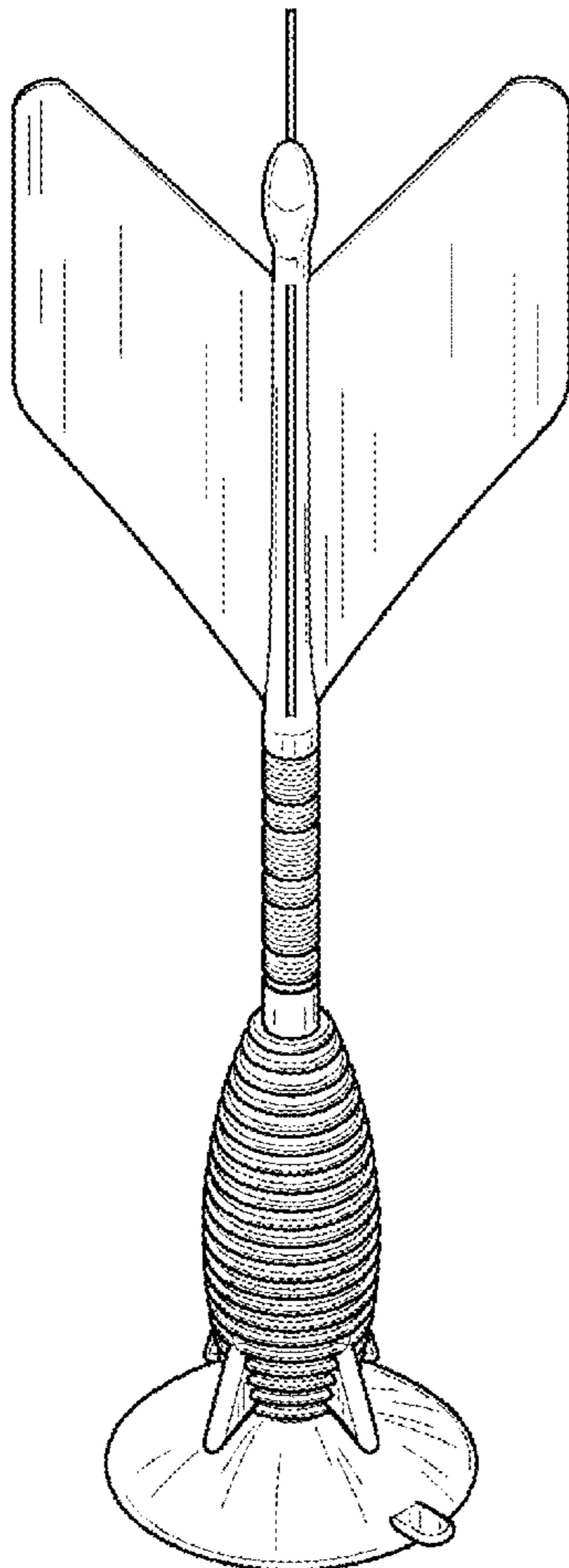
(57) **CLAIM**

The ornamental design for a plastic suction cup dart, as shown and described.

**DESCRIPTION**

FIG. 1 is a top perspective view thereof;  
FIG. 2 is a bottom perspective view thereof;  
FIG. 3 is a rear view thereof;  
FIG. 4 is a front view thereof;  
FIG. 5 is a left side view thereof;  
FIG. 6 is a right side view thereof;  
FIG. 7 is a top view thereof; and,  
FIG. 8 is a bottom view thereof.

**1 Claim, 5 Drawing Sheets**



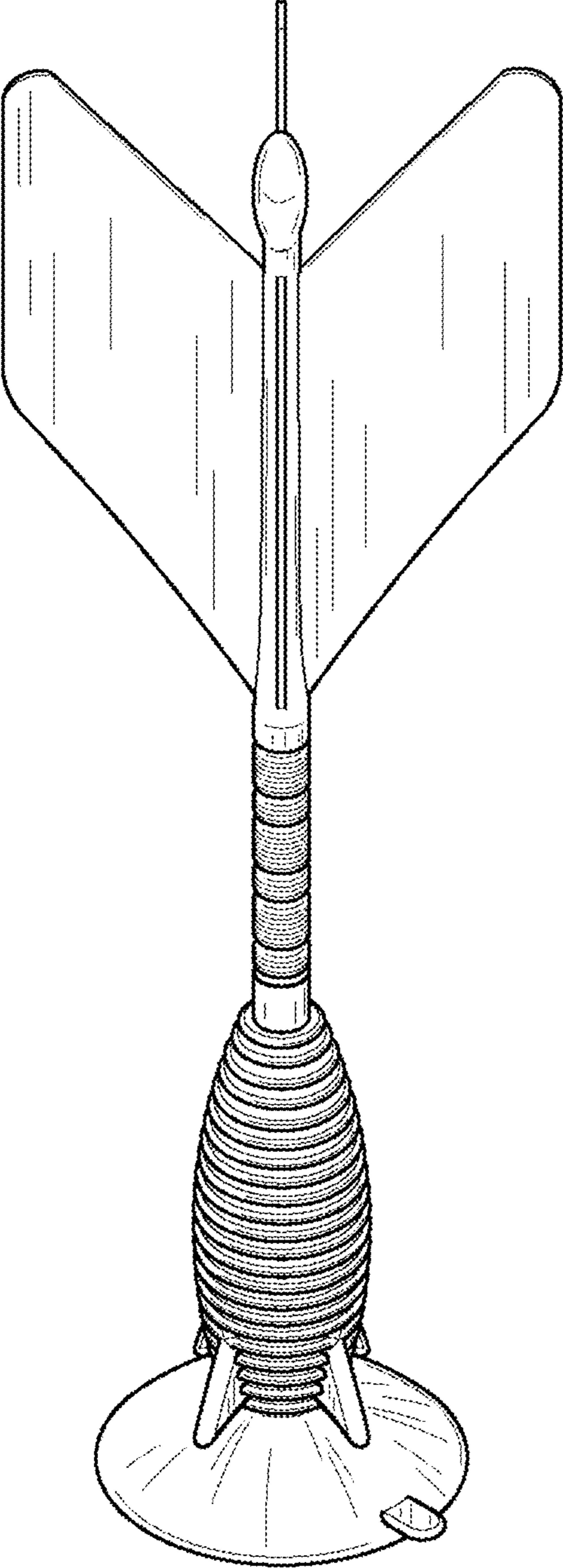


FIG. 1

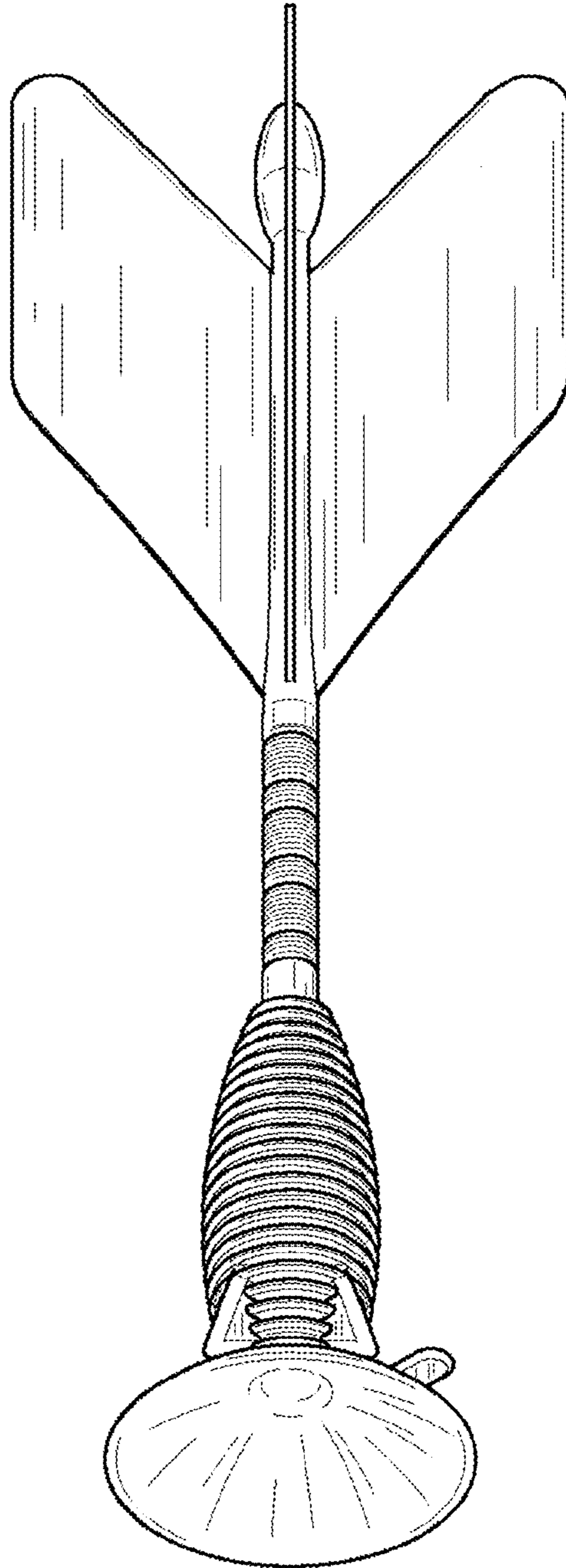


FIG. 2

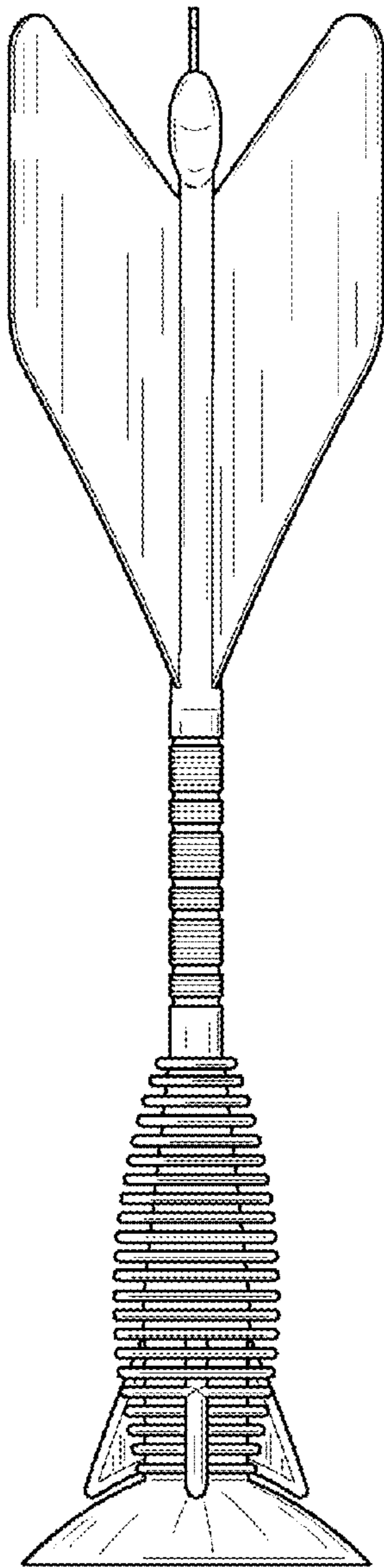


FIG. 3

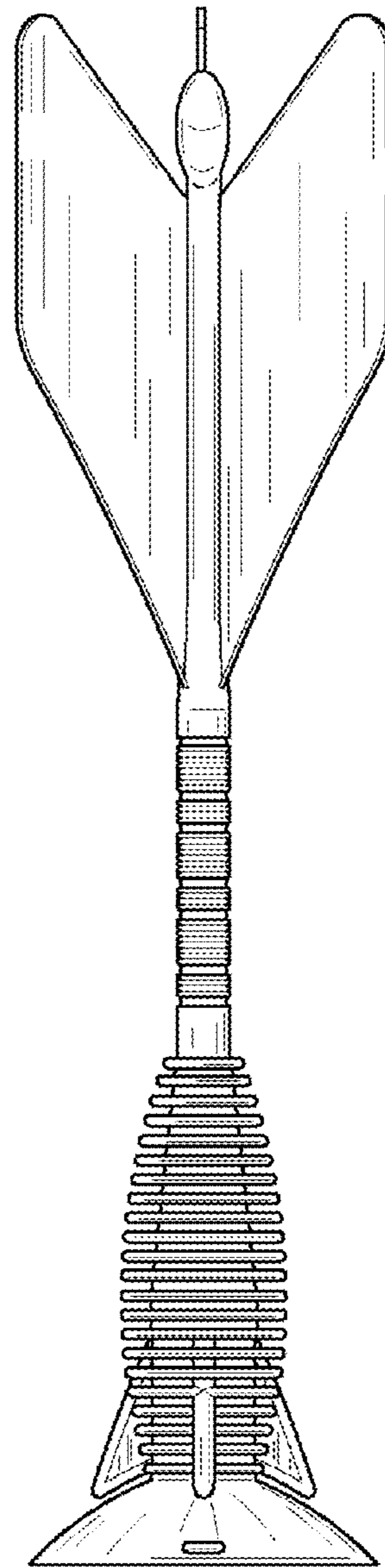


FIG. 4



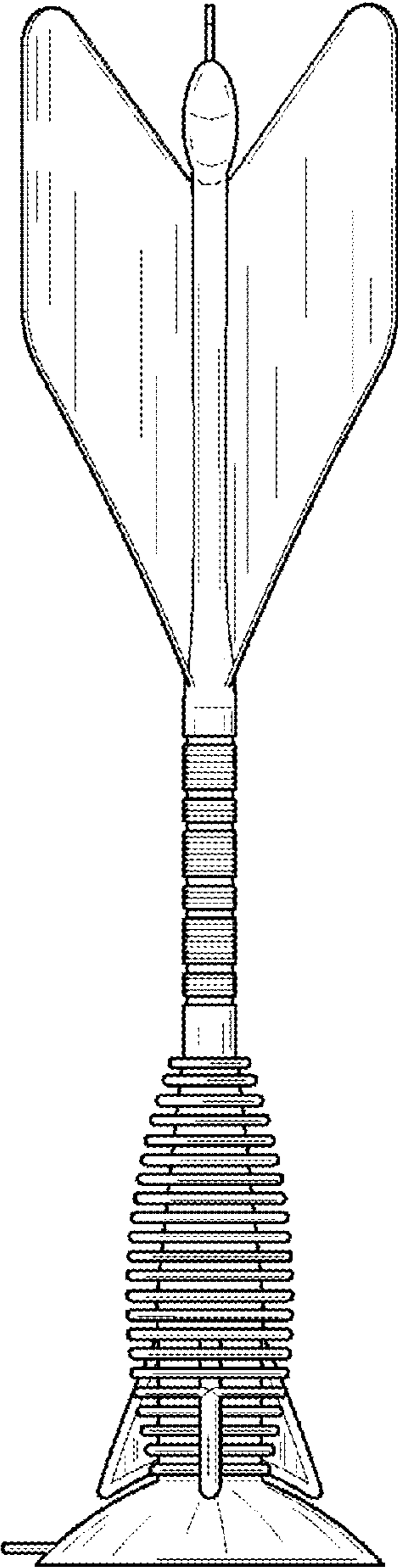


FIG. 5

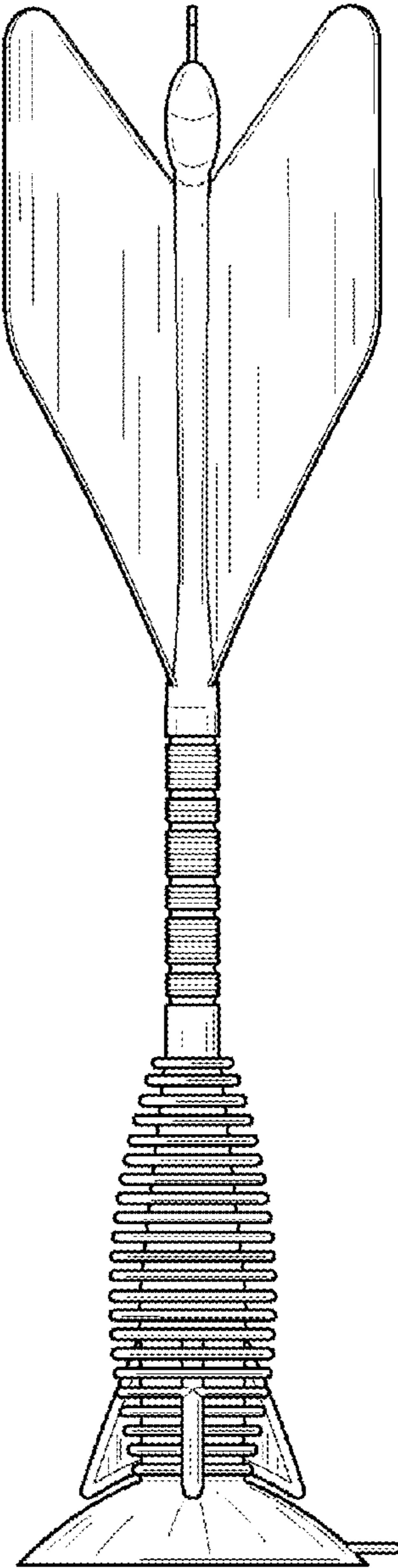


FIG. 6

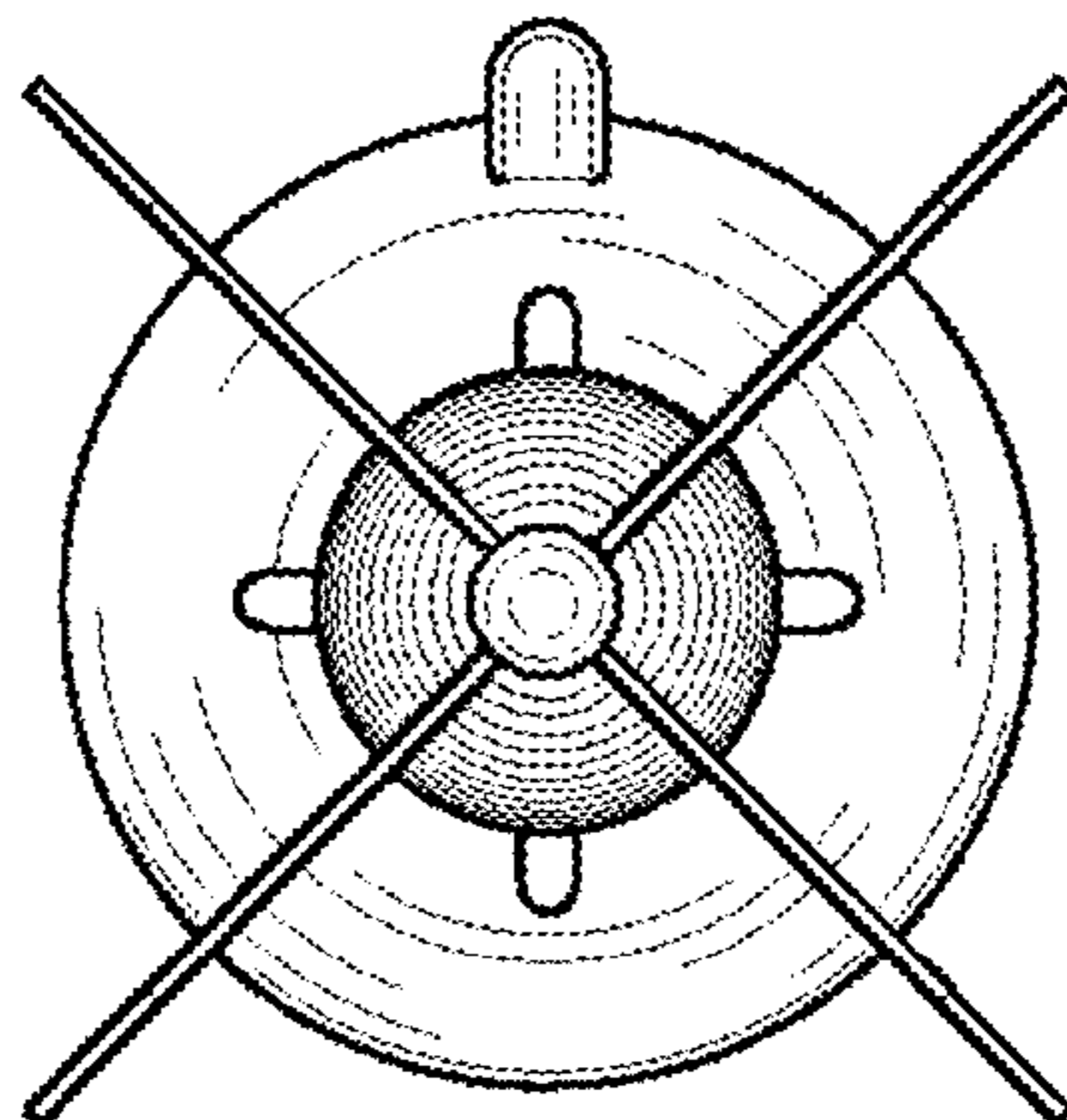


FIG. 7

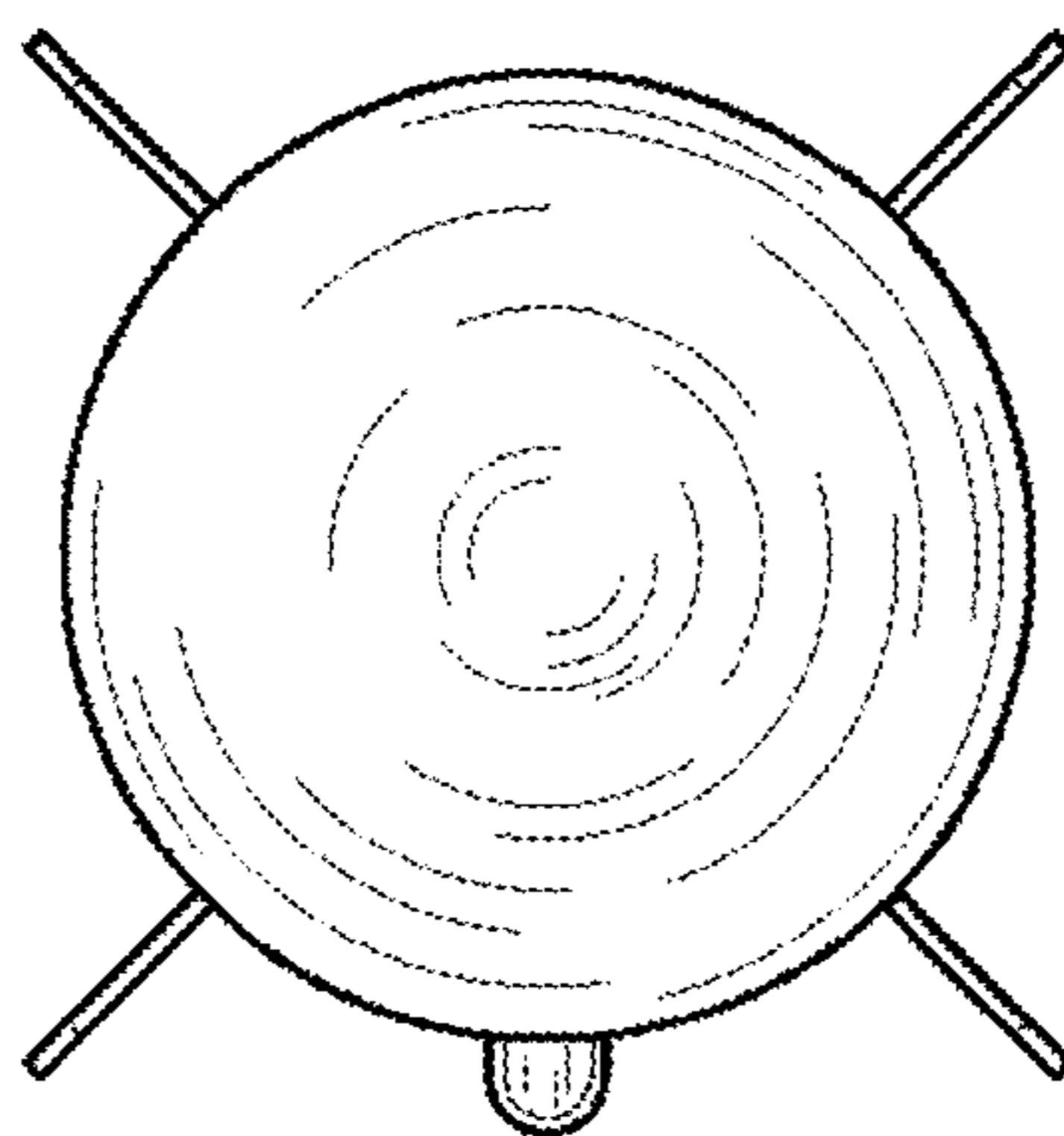


FIG. 8