



US00D690772S

(12) **United States Design Patent**
Kado

(10) **Patent No.:** **US D690,772 S**
(45) **Date of Patent:** **** Oct. 1, 2013**

- (54) **COMBINED TAG AND CARABINER**
- (75) Inventor: **Teri Kado**, Menomonie, WI (US)
- (73) Assignee: **Living Art-N-Life, LLC**, Menomonie, WI (US)
- (**) Term: **14 Years**
- (21) Appl. No.: **29/400,830**
- (22) Filed: **Sep. 1, 2011**
- (51) **LOC (9) Cl.** **19-08**
- (52) **U.S. Cl.**
USPC **D20/27; D20/19**
- (58) **Field of Classification Search**
USPC D20/10, 11, 19, 22-29, 40, 99; 40/1.5, 40/1.6, 5, 124.01-124.09, 124.11-124.19, 40/124.191, 299.01, 310-313, 316, 360, 40/582, 625, 626, 630, 661, 661.09, 636, 40/638, 659, 662, 665; D19/1, 2, 9, 10; D9/457; 206/6.1, 453, 555; 283/56, 71, 283/81; 428/40.1, 42.1-42.3, 202, 914
See application file for complete search history.

6,073,758	A *	6/2000	Webster et al.	206/6.1
6,434,870	B1 *	8/2002	Fanjoy	40/636
6,619,480	B2 *	9/2003	Smith	206/555
D517,917	S *	3/2006	Sethi et al.	D9/457
7,143,892	B2 *	12/2006	Kolton et al.	206/6.1
7,576,974	B2 *	8/2009	Liu et al.	361/679.07
D605,704	S *	12/2009	Elsea	D20/19
D638,477	S *	5/2011	Kado	D20/27
2005/0000136	A1 *	1/2005	Davis et al.	40/673

OTHER PUBLICATIONS

Custom Size Engraved Signs—Seton Identification Products, pp. BA156 and BA157 Summer/Fall 1994 catalog.*

* cited by examiner

Primary Examiner — Mary Ann Calabrese

(74) *Attorney, Agent, or Firm* — Skinner and Associates

(57) **CLAIM**

The ornamental design for a combined tag and carabiner, as shown and described.

DESCRIPTION

FIG. 1 is a perspective view of a combined tag and carabiner showing the new design of this invention.

FIG. 2 is a perspective view of the combined tag and carabiner.

FIG. 3 is a front view of the combined tag and carabiner.

FIG. 4 is a back view of the combined tag and carabiner.

FIG. 5 is a side view of the combined tag and carabiner, the opposite side being symmetrical.

FIG. 6 is a top view of the combined tag and carabiner; and, FIG. 7 is a bottom view of the combined tag and carabiner.

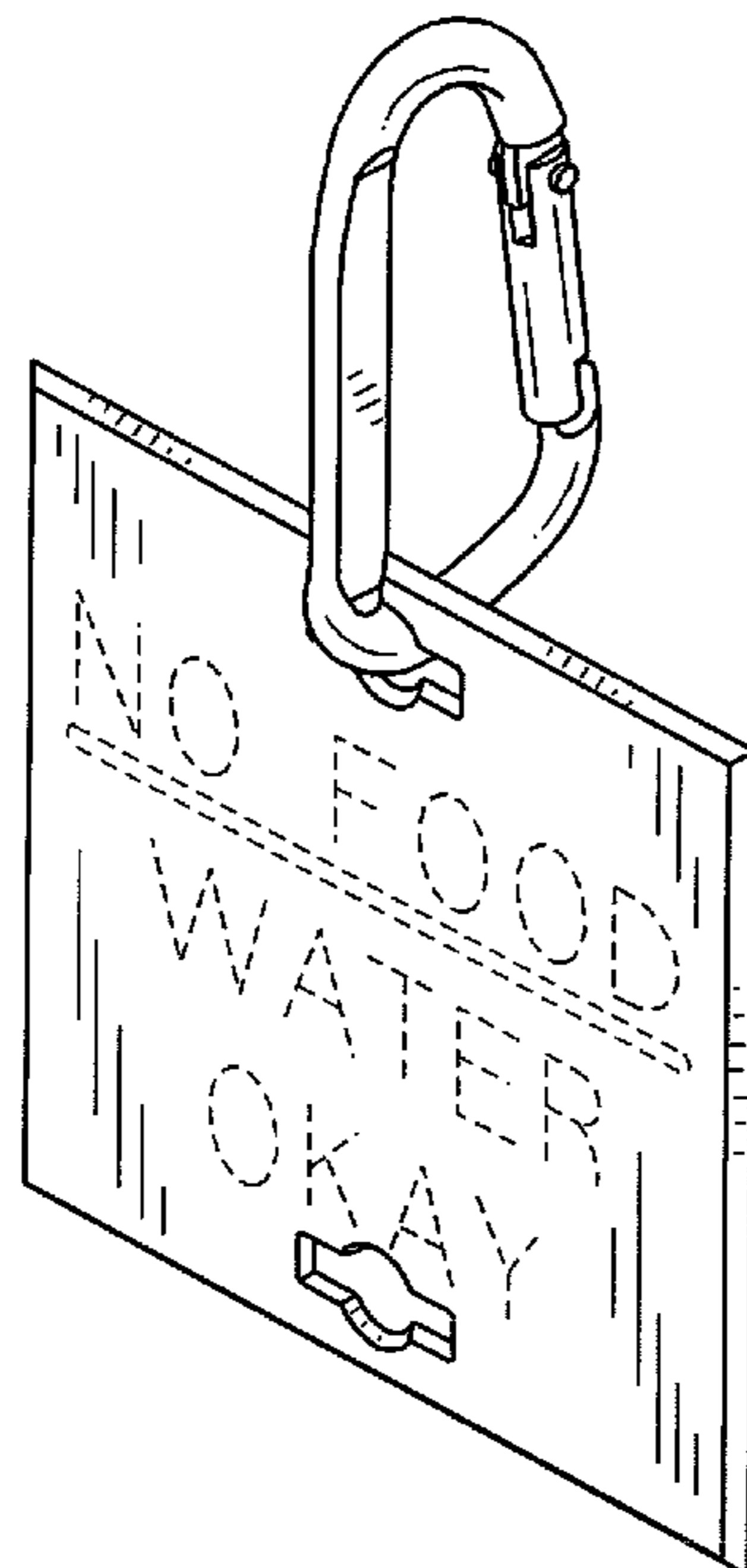
The broken lines shown in FIG. 1 are for illustrative purposes only and form no part of the claimed design.

1 Claim, 3 Drawing Sheets

(56) **References Cited**

U.S. PATENT DOCUMENTS

903,611	A *	11/1908	Smith	40/662
1,158,940	A *	11/1915	Litt et al.	40/659
2,054,227	A *	9/1936	Nichols	40/665
2,938,291	A *	5/1960	Tavan	40/613
4,004,362	A *	1/1977	Barbieri	40/316
4,250,646	A *	2/1981	Trachtenberg	40/582
4,820,956	A *	4/1989	Slobodzian et al.	315/51
D308,080	S *	5/1990	Sachs	D20/22
4,999,937	A *	3/1991	Bechtold	40/610
D357,707	S *	4/1995	Moore	D20/10



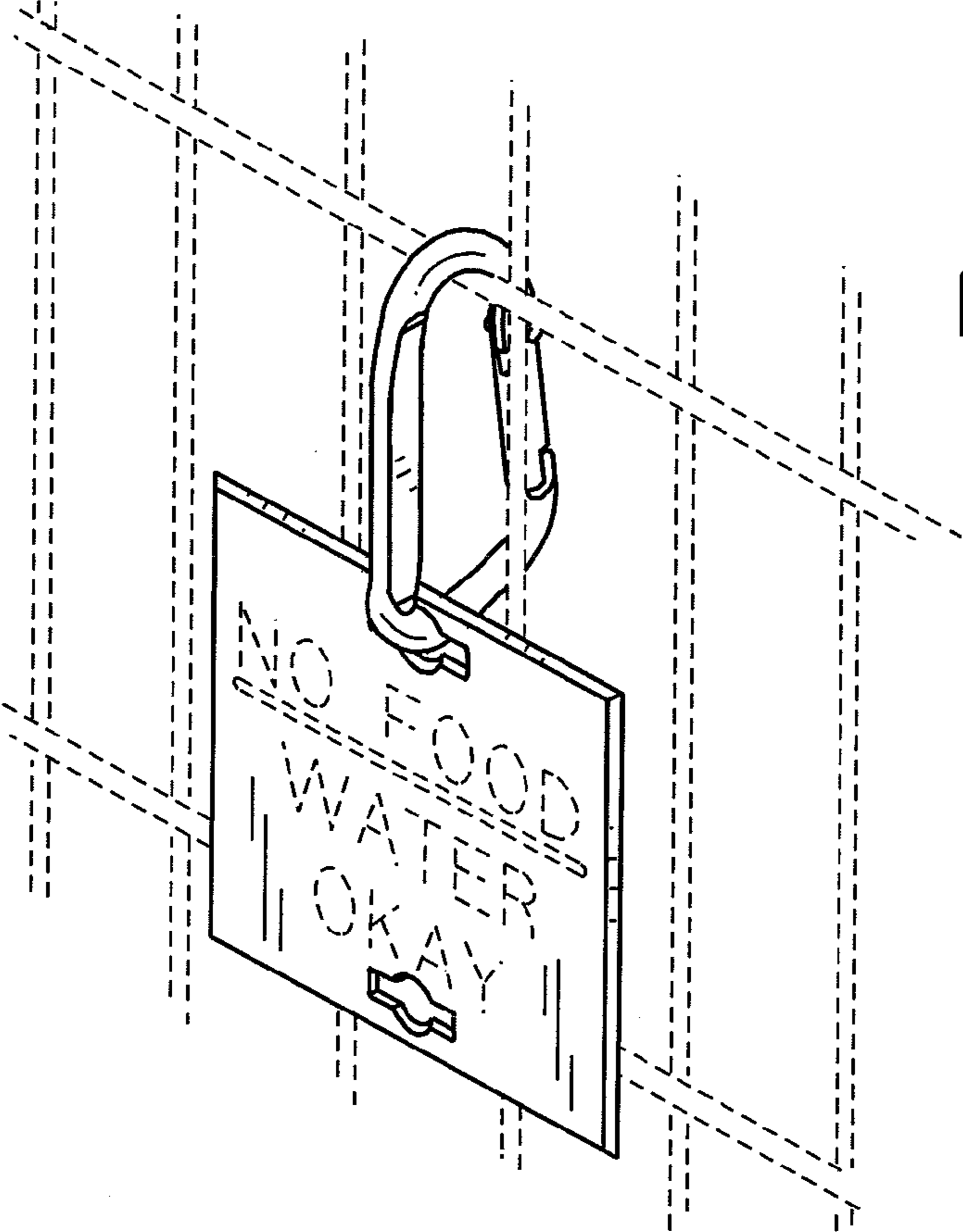


FIG. 1

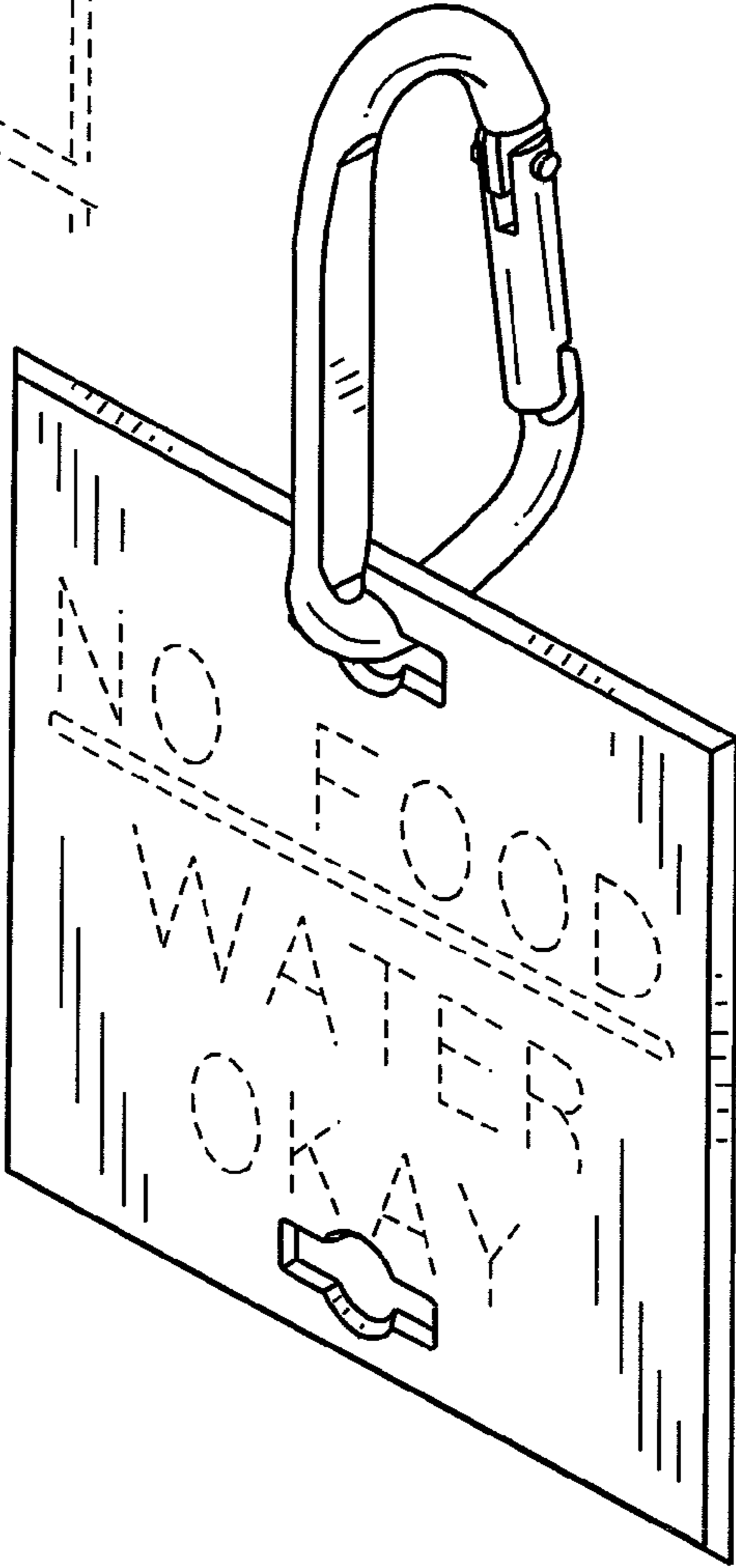


FIG. 2

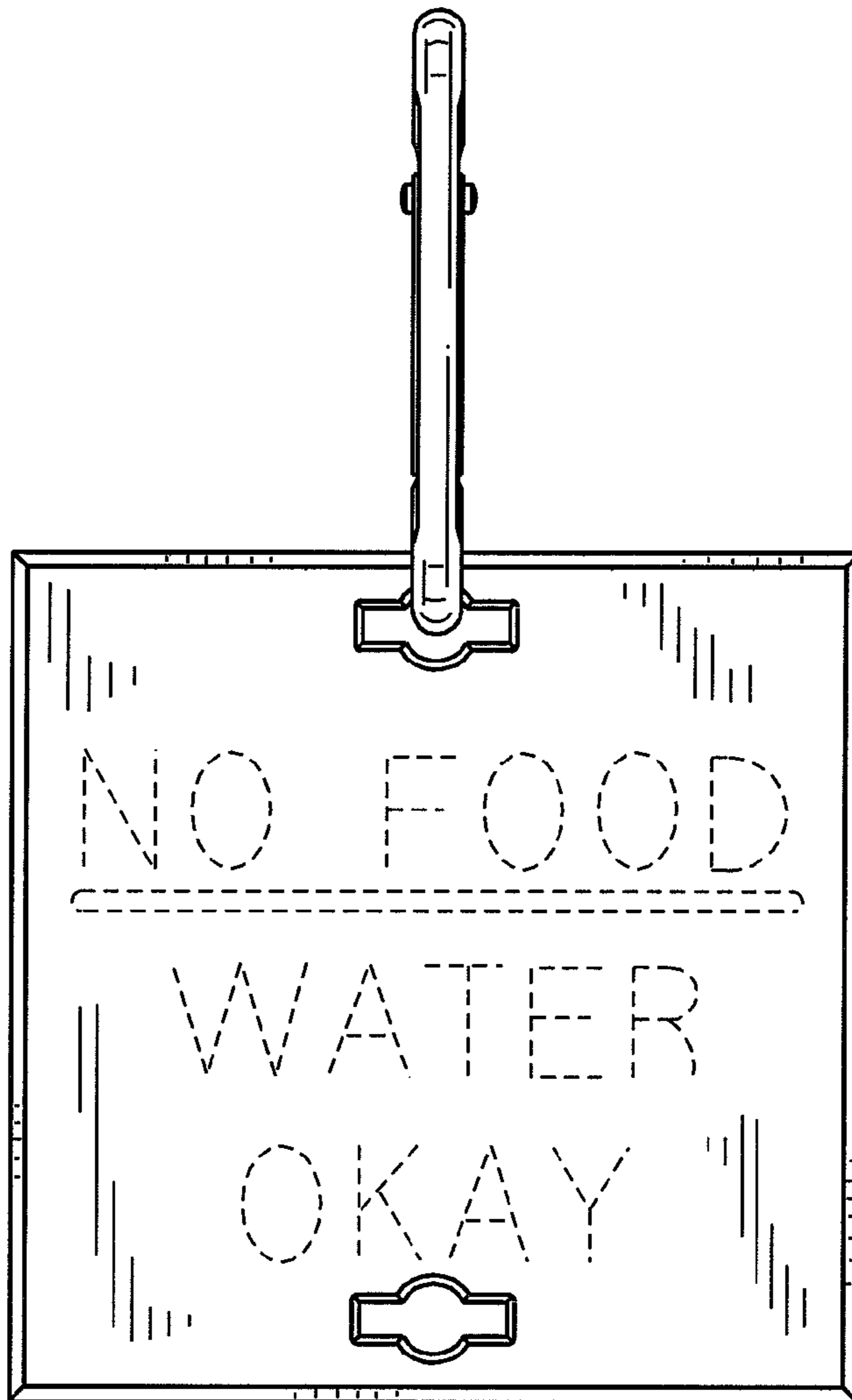


FIG. 3

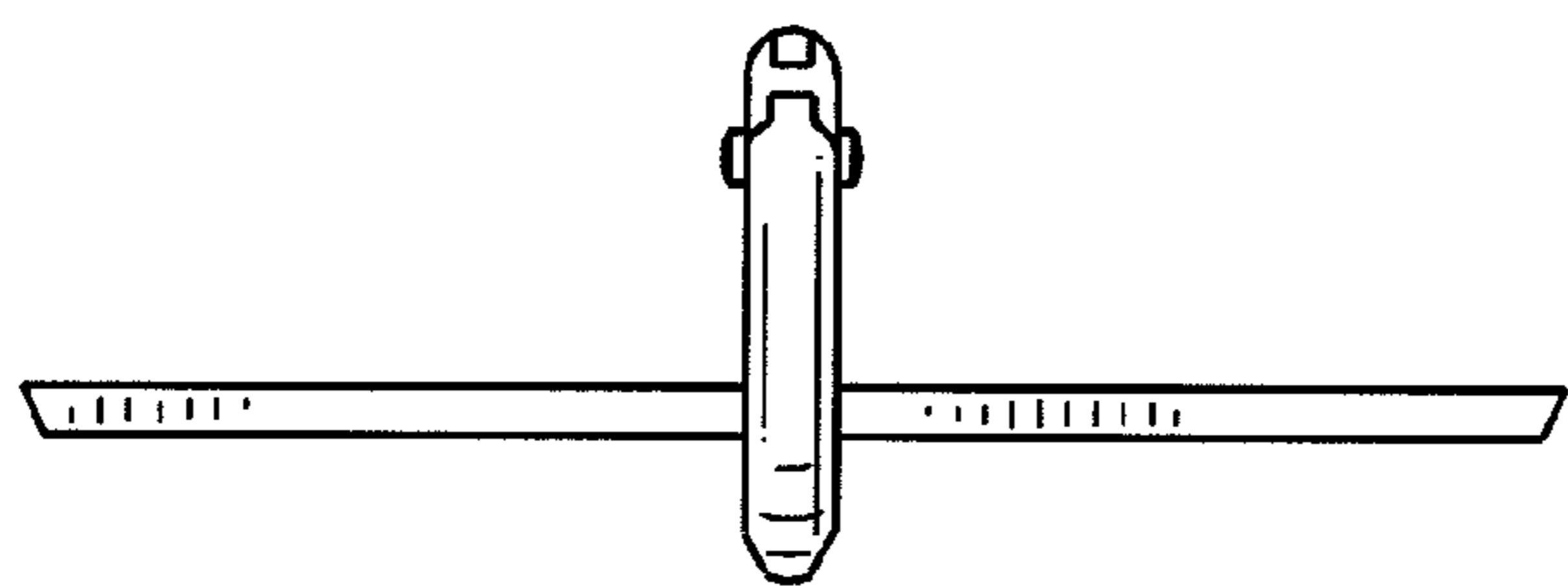
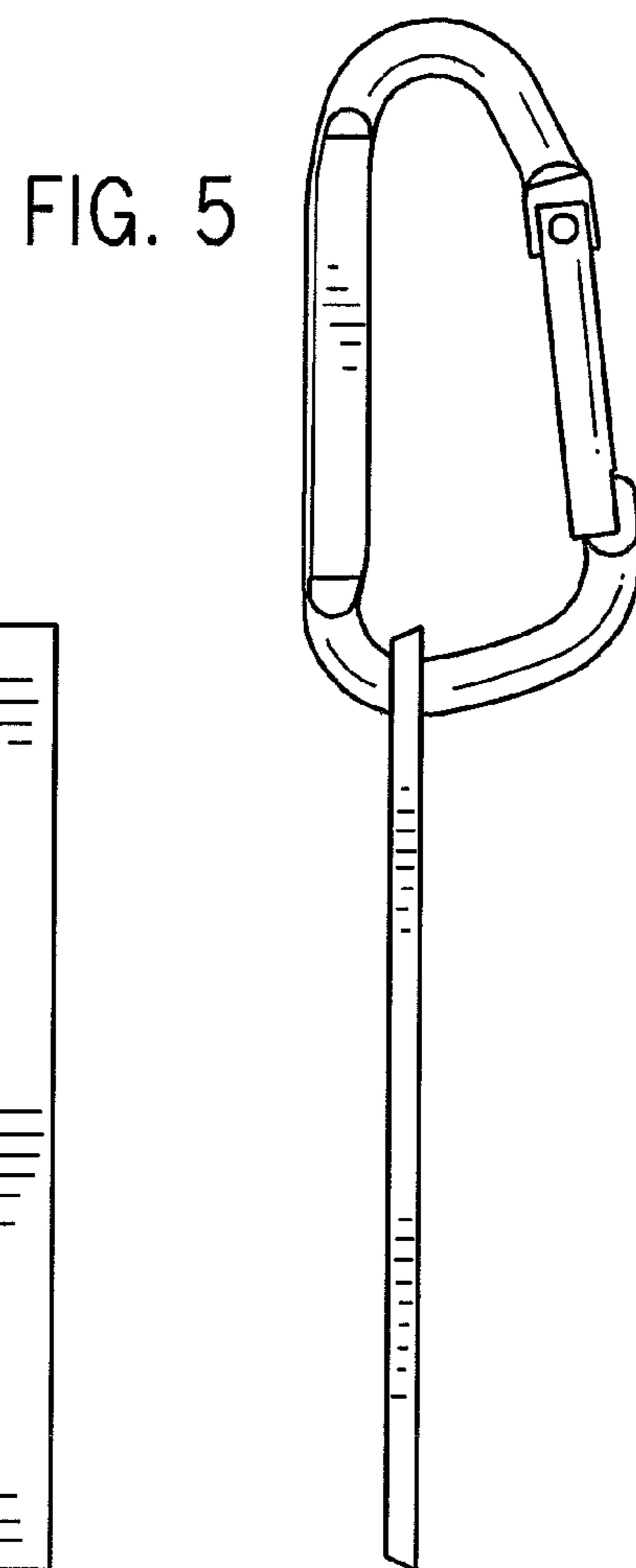
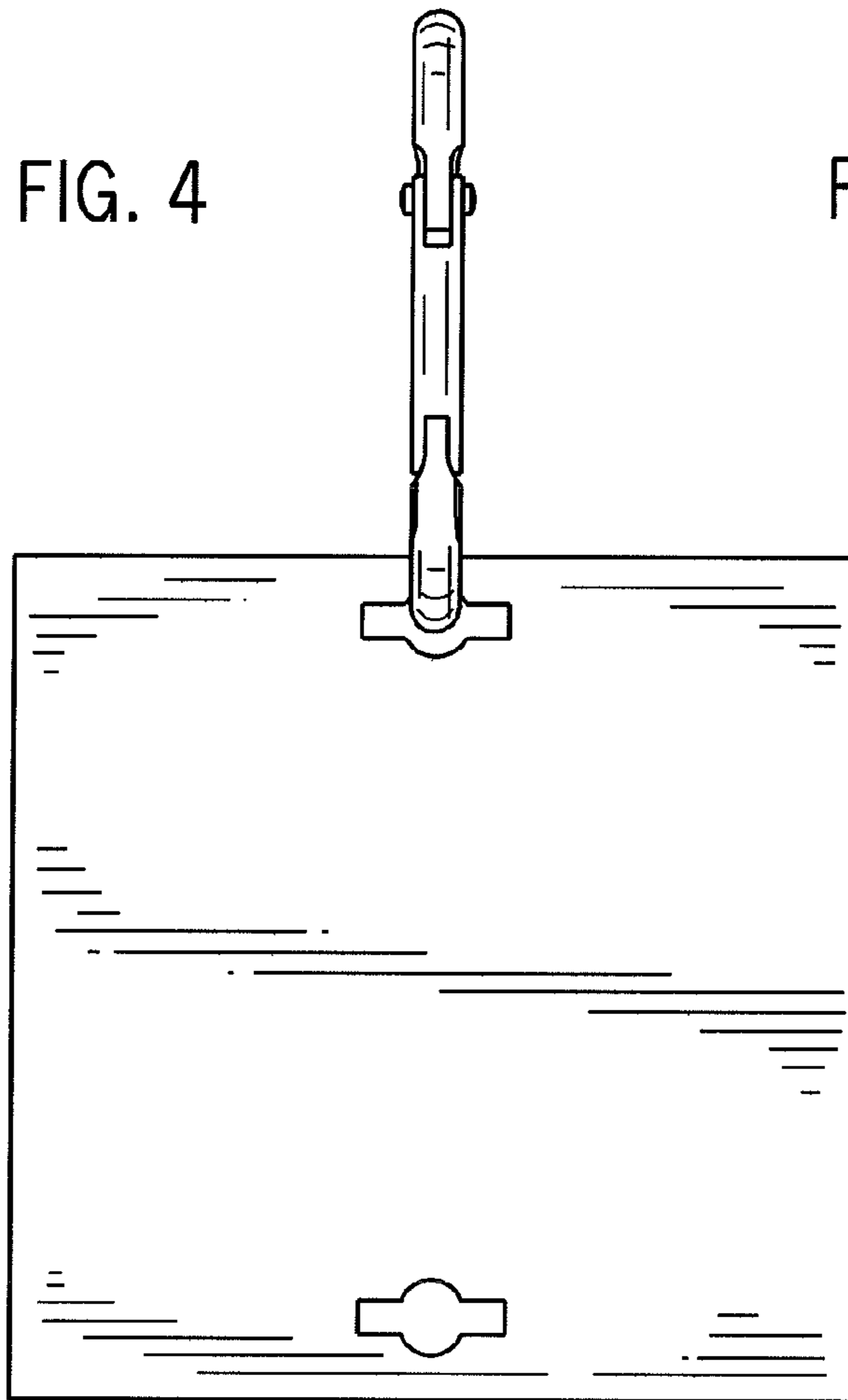


FIG. 6

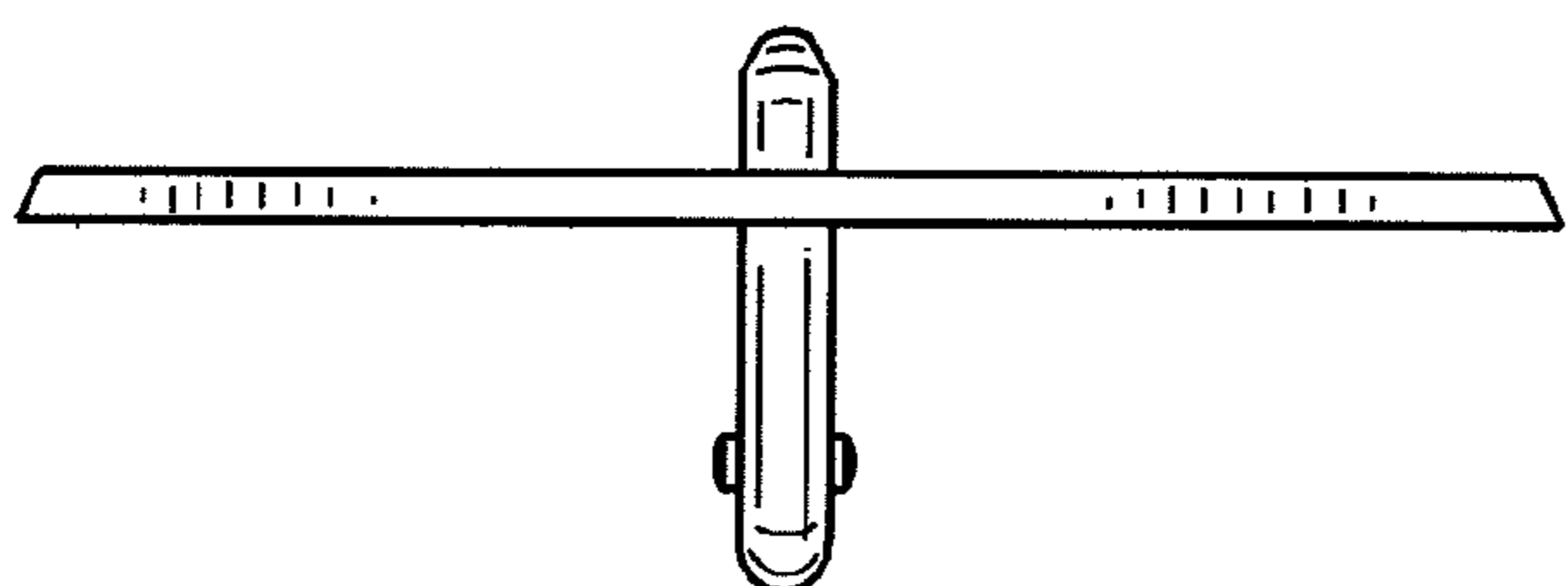


FIG. 7