



US00D690771S

(12) **United States Design Patent**
Randall

(10) **Patent No.:** **US D690,771 S**

(45) **Date of Patent:** **** *Oct. 1, 2013**

(54) **VENDING CONTROL UNIT**

(75) Inventor: **Chad Randall**, San Diego, CA (US)

(73) Assignee: **IPS Group Inc.**, San Diego, CA (US)

(*) Notice: This patent is subject to a terminal disclaimer.

(**) Term: **14 Years**

(21) Appl. No.: **29/429,466**

(22) Filed: **Aug. 10, 2012**

(51) **LOC (9) Cl.** **20-01**

(52) **U.S. Cl.**
USPC **D20/9**

(58) **Field of Classification Search**

USPC D20/1-9; 194/205, 206, 244, 321,
194/345, 346, 350; D14/365; D18/3.3, 4.4;
D99/28, 43; 235/381

See application file for complete search history.

(56) **References Cited**

U.S. PATENT DOCUMENTS

D152,587 S * 2/1949 Brundage D20/8
D351,193 S * 10/1994 Abe D20/9

D354,835 S * 1/1995 Brendel D99/43
D395,133 S * 6/1998 Mikami et al. D99/43
D471,238 S * 3/2003 Showers et al. D20/8
D477,030 S * 7/2003 Kolls et al. D20/8
D515,092 S * 2/2006 Wilfong D14/385

* cited by examiner

Primary Examiner — Mary Ann Calabrese

(74) *Attorney, Agent, or Firm* — Wilson, Sonsini, Goodrich & Rosati

(57) **CLAIM**

The ornamental design for vending control unit, as shown and described.

DESCRIPTION

FIG. 1 is a perspective view of a vending control unit showing my new design;

FIG. 2 is a front elevational view thereof;

FIG. 3 is a rear elevational view thereof;

FIG. 4 is a left side elevational view thereof;

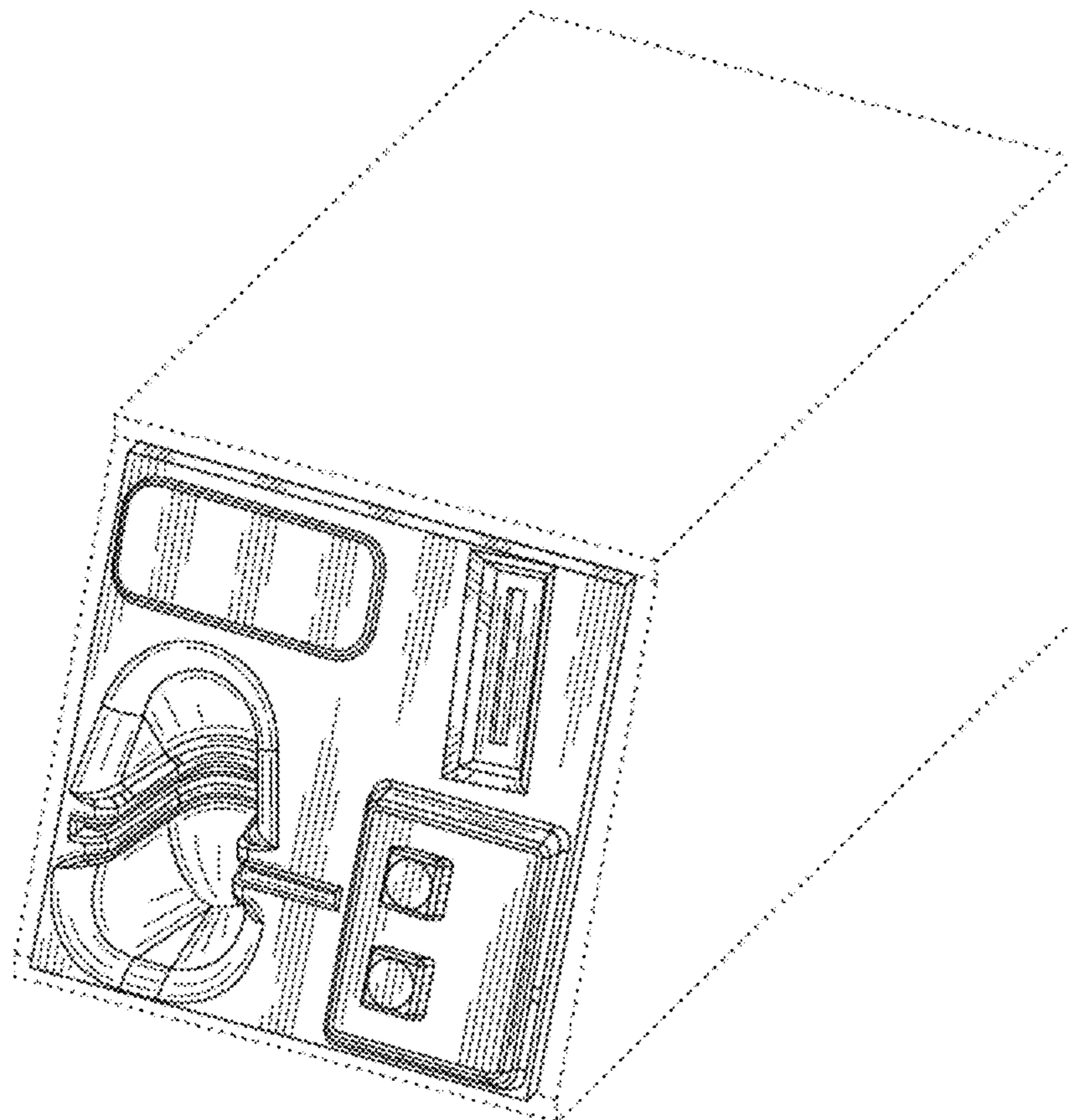
FIG. 5 is a right side elevational view thereof;

FIG. 6 is a top plan view thereof; and,

FIG. 7 is a bottom plan view thereof.

The broken line showing of environmental matter is for illustrative purposes only and forms no part of the claimed design.

1 Claim, 5 Drawing Sheets



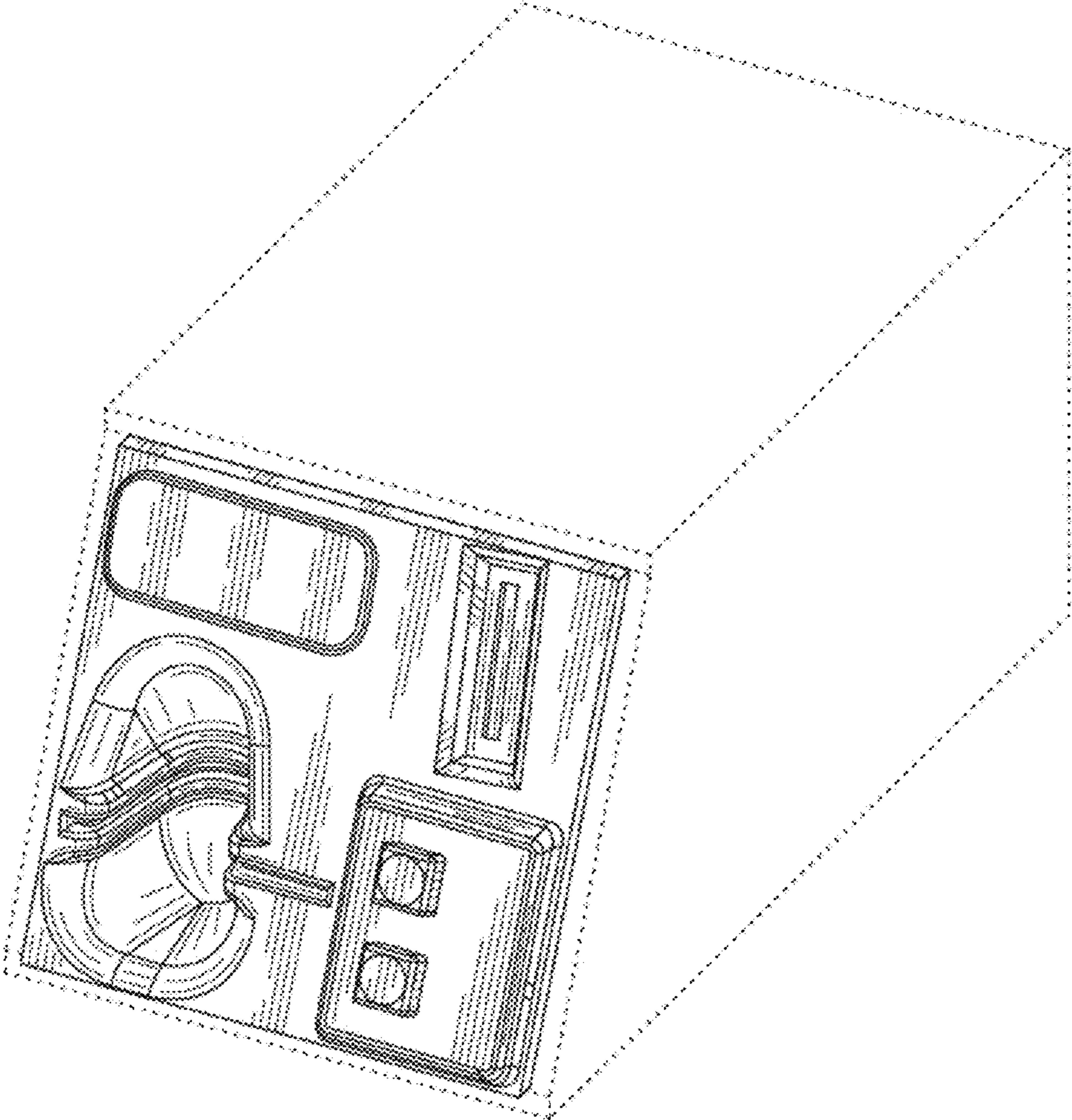


FIG. 1

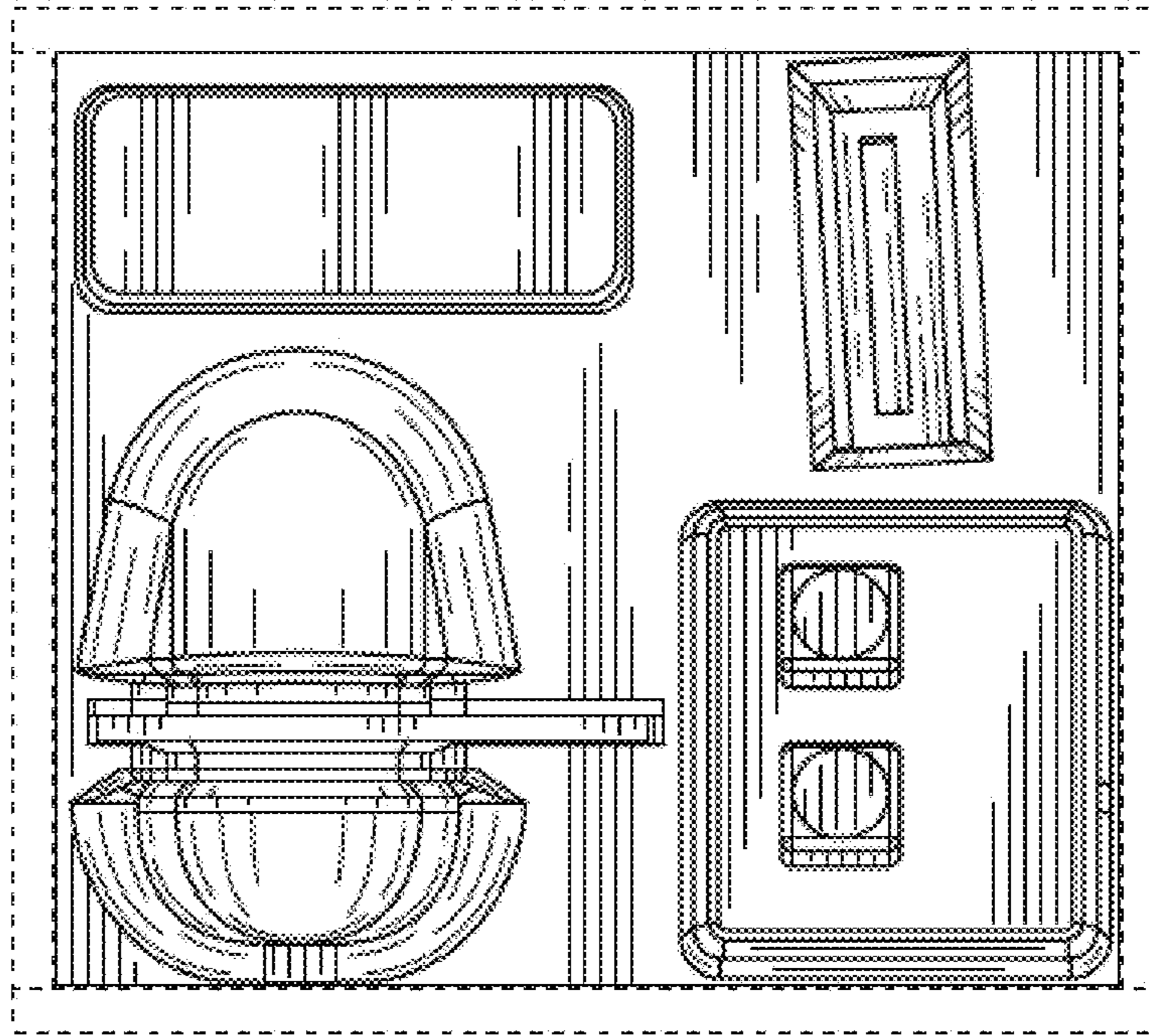


FIG. 2

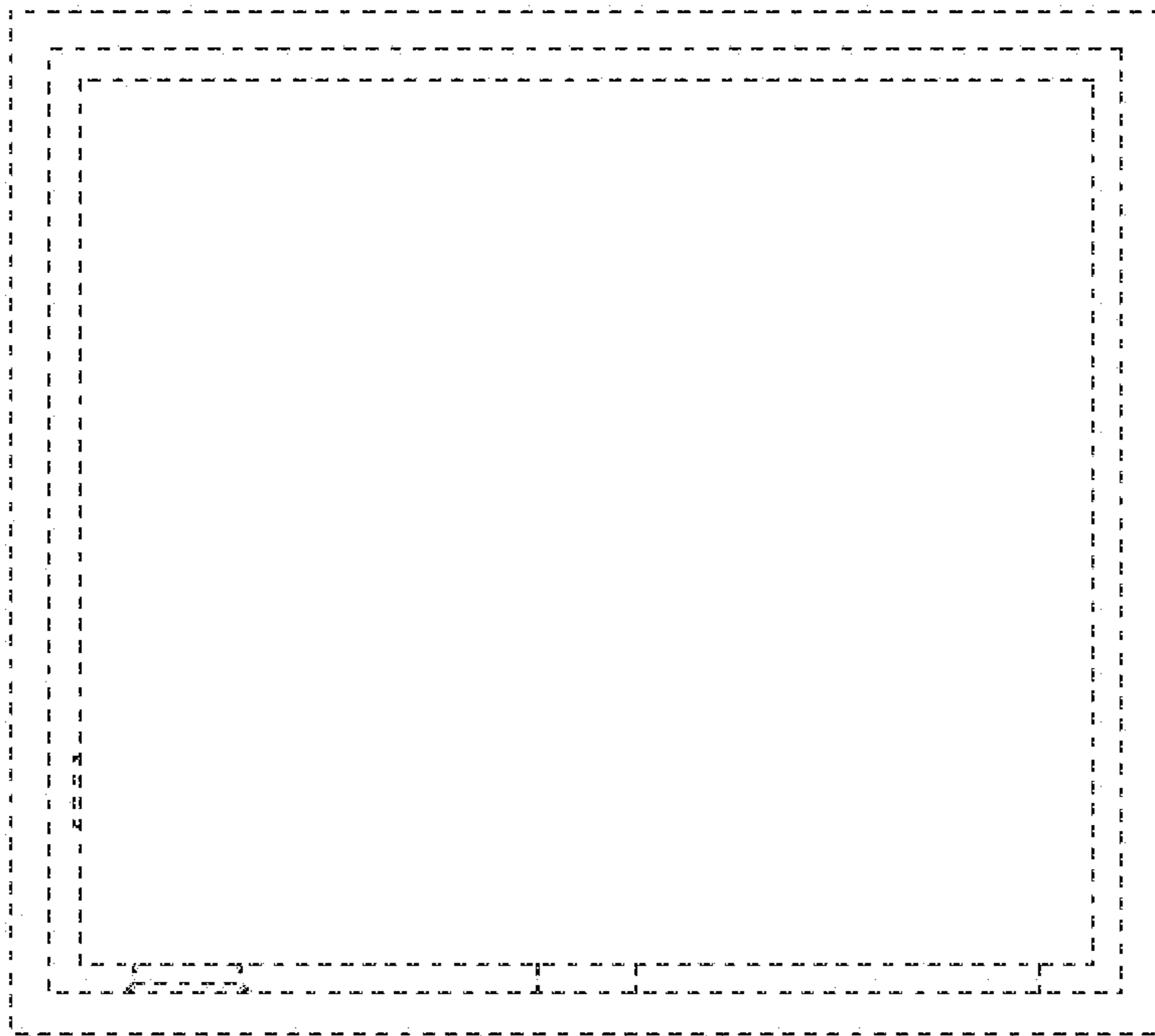


FIG. 3

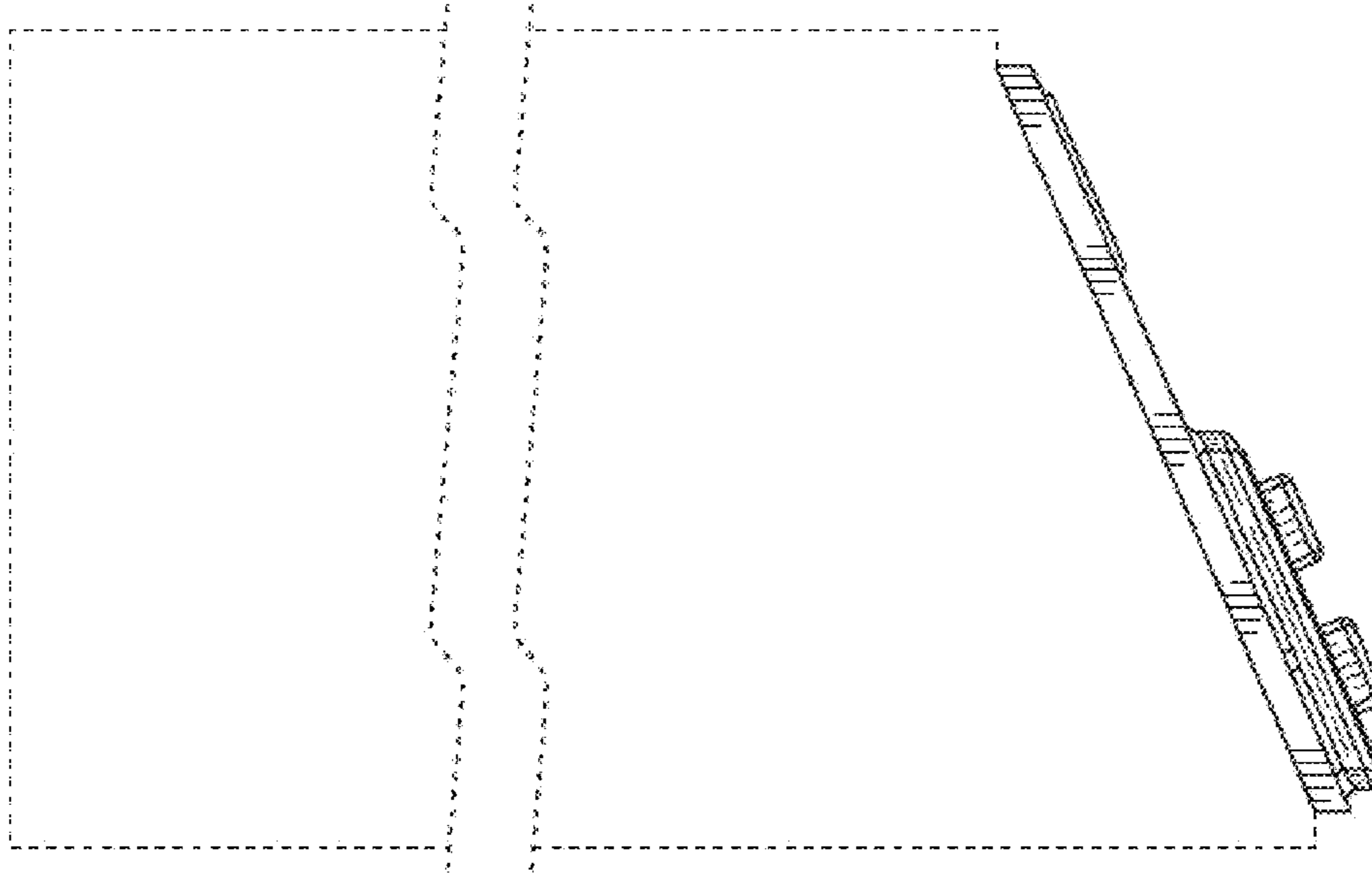


FIG. 4

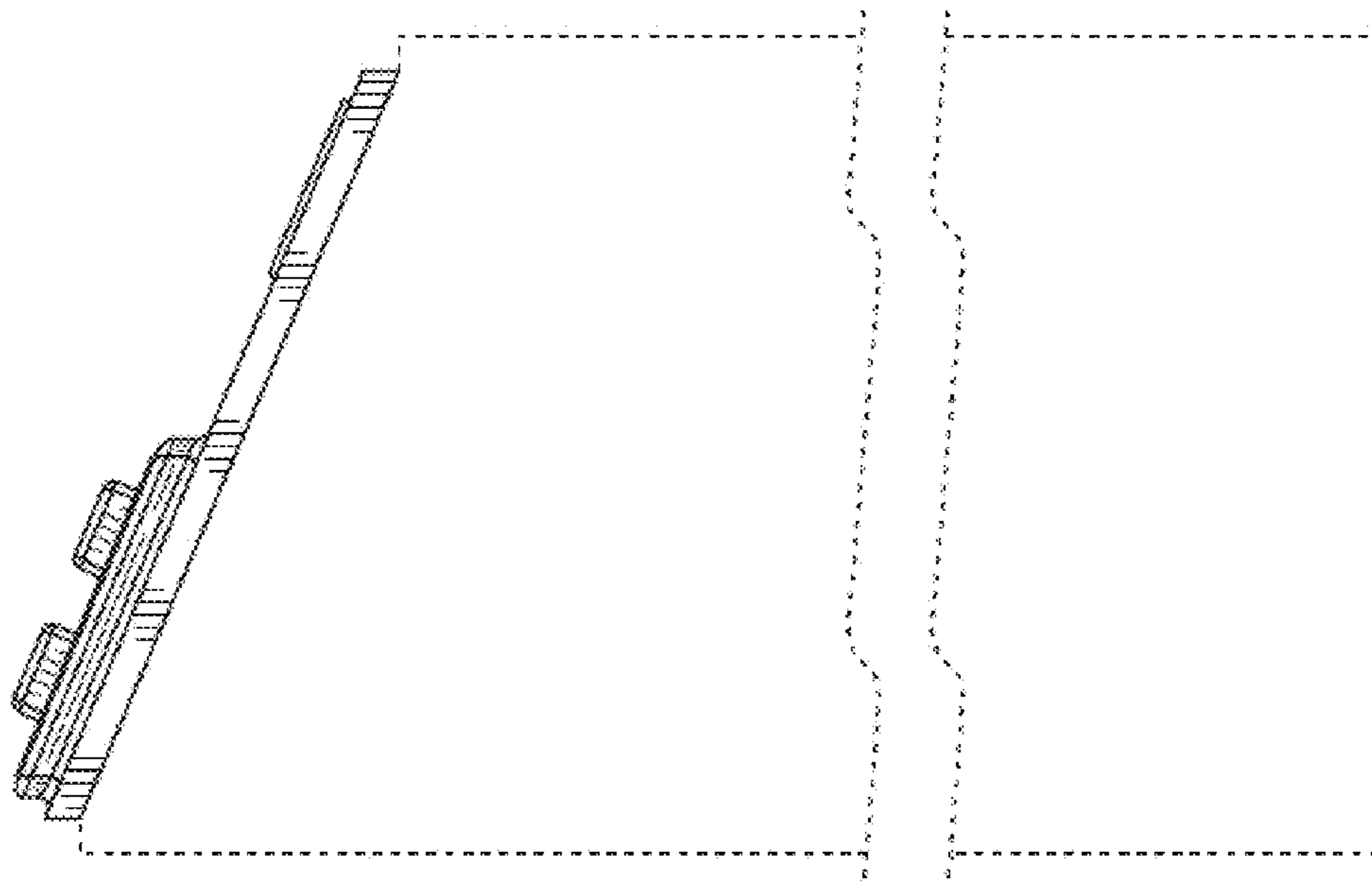


FIG. 5



FIG. 6

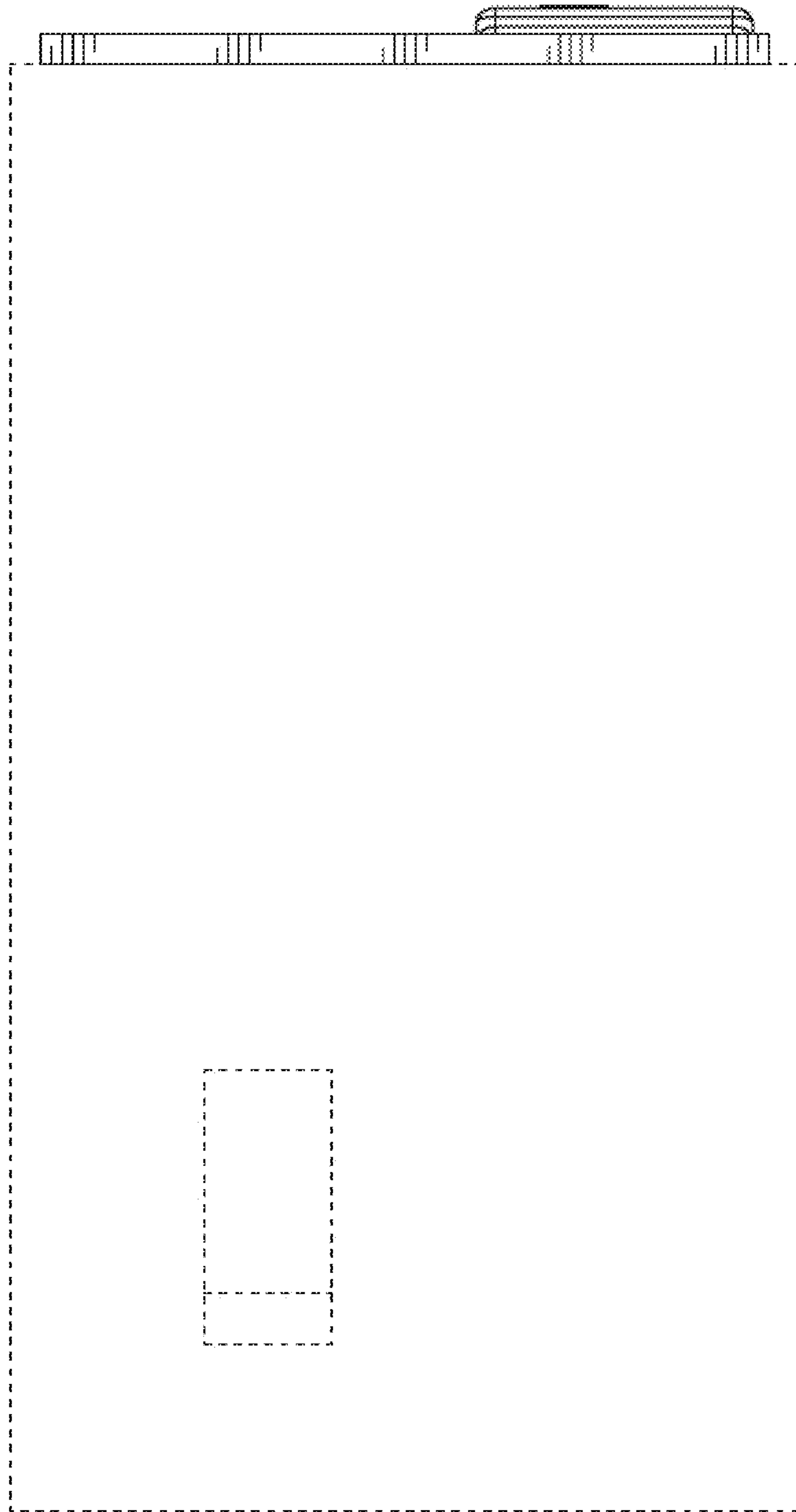


FIG. 7

UNITED STATES PATENT AND TRADEMARK OFFICE
CERTIFICATE OF CORRECTION

PATENT NO. : D690,771 S
APPLICATION NO. : 29/429466
DATED : October 1, 2013
INVENTOR(S) : King et al.

Page 1 of 1

It is certified that error appears in the above-identified patent and that said Letters Patent is hereby corrected as shown below:

On the Title Page

Item (12) should read: KING, et al.

Item (75) should read: David William KING, Rancho Santa Fe, CA (US)
Michael W. MACCOLLUM, Poway, CA (US)

Signed and Sealed this
Twenty-third Day of May, 2017



Michelle K. Lee
Director of the United States Patent and Trademark Office