



US00D690764S

(12) **United States Design Patent**
Kim et al.

(10) **Patent No.:** **US D690,764 S**
(45) **Date of Patent:** **** Oct. 1, 2013**

(54) **SHREDDER**

(75) Inventors: **Hyunchul Kim**, Chicago, IL (US); **Tong Jin Kim**, Evanston, IL (US); **Patrick M. Bodkin**, Chicago, IL (US)

(73) Assignee: **Fellowes, Inc.**, Itasca, IL (US)

(**) Term: **14 Years**

(21) Appl. No.: **29/386,377**

(22) Filed: **Feb. 28, 2011**

(51) **LOC (9) Cl.** **18-03**

(52) **U.S. Cl.**
USPC **D18/34.5**

(58) **Field of Classification Search**
USPC D18/34.3–34.9; D23/356, 359, 360,
D23/364; D34/9; 241/100, 236, 30, 36,
241/81, 25, 99
See application file for complete search history.

(56) **References Cited**

U.S. PATENT DOCUMENTS

D583,859	S	*	12/2008	Holderfield et al.	D18/34.9
D584,342	S		1/2009	Parratt et al.		
D591,335	S		4/2009	Holderfield et al.		
D598,048	S	*	8/2009	Holderfield et al.	D18/34.9
D602,073	S		10/2009	Holderfield et al.		
D602,074	S		10/2009	Holderfield et al.		
D602,517	S		10/2009	Parratt et al.		
D602,518	S		10/2009	Holderfield et al.		
D604,762	S		11/2009	Parratt et al.		
D604,763	S	*	11/2009	Holderfield et al.	D18/34.9
D609,102	S		2/2010	Matlin		
D611,089	S		3/2010	Maitlin et al.		
D647,129	S	*	10/2011	Kim et al.	D18/34.9
D647,952	S	*	11/2011	Sued et al.	D18/34.5
8,066,209	B2	*	11/2011	Abramson et al.	241/30
8,091,812	B2	*	1/2012	Abramson et al.	241/99
D660,346	S	*	5/2012	Kim et al.	D18/34.5
D660,907	S	*	5/2012	Wing et al.	D18/34.5
D662,577	S	*	6/2012	Nakamura et al.	D23/364

8,196,851	B2	*	6/2012	Aries et al.	241/225
8,336,794	B2	*	12/2012	Aries et al.	241/81
D673,665	S	*	1/2013	Langford et al.	D23/359

(Continued)

OTHER PUBLICATIONS

Hyunchul Kim, U.S. Appl. No. 29/360,516, filed Apr. 27, 2010.

Primary Examiner — Ian Simmons

Assistant Examiner — Charles Hanson

(74) *Attorney, Agent, or Firm* — Pillsbury Winthrop Shaw Pittman LLP

(57) **CLAIM**

The ornamental design for a shredder, as shown and described.

DESCRIPTION

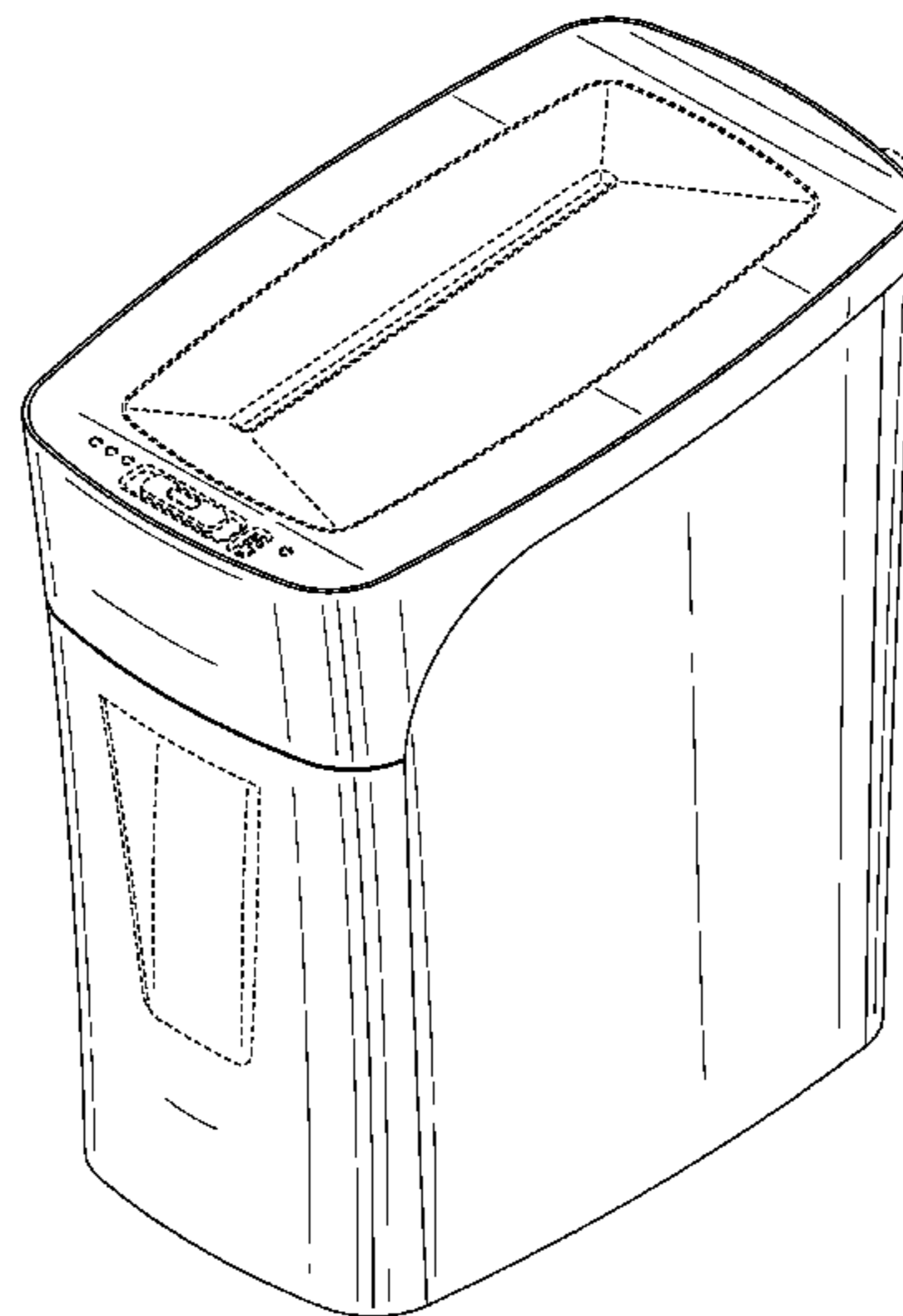
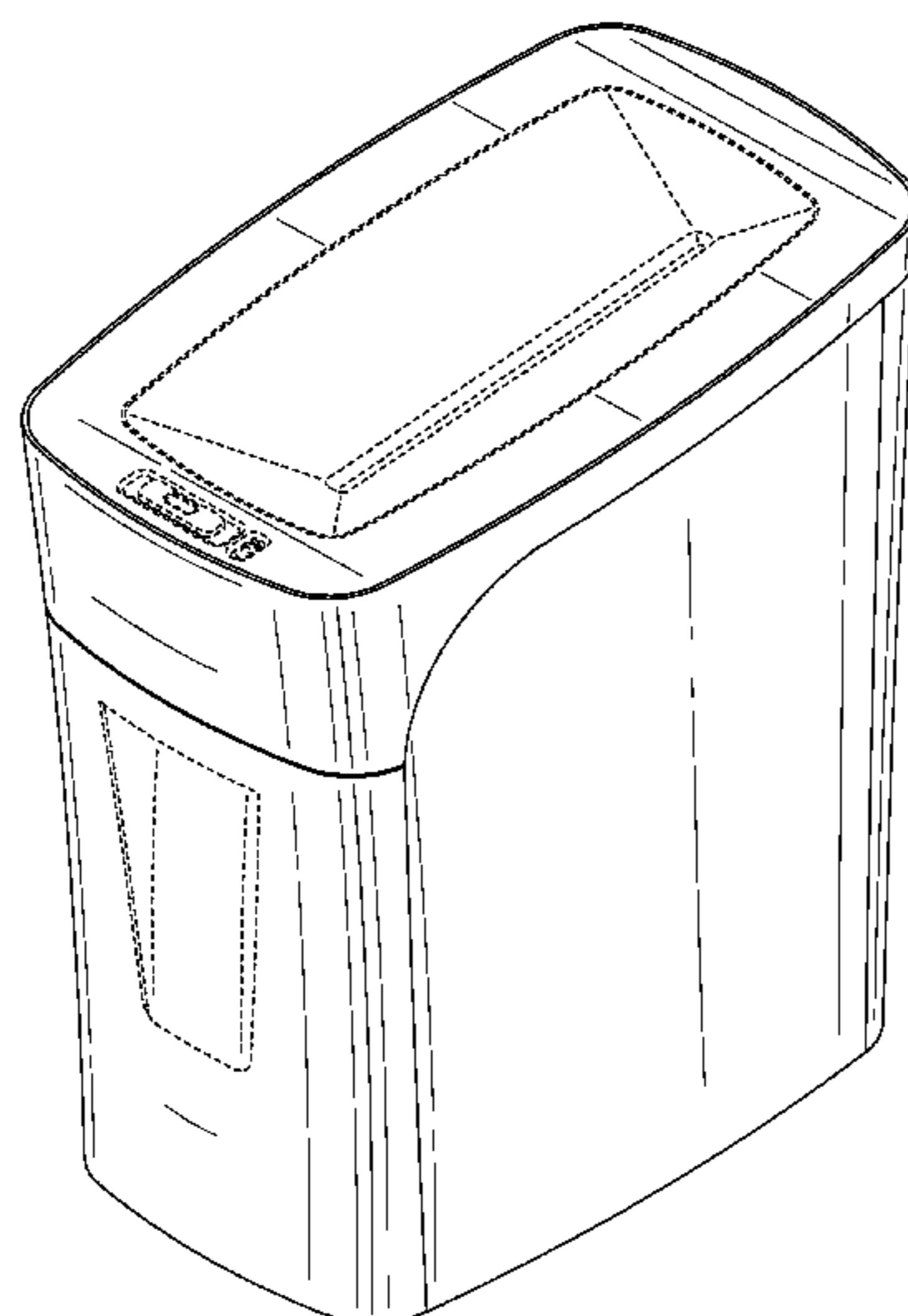
FIG. 1 is a top perspective view of a shredder according to my design;
FIG. 2 is a front view of the shredder;
FIG. 3 is a back view of the shredder;
FIG. 4 is a right side view of the shredder;
FIG. 5 is a left side view of the shredder;
FIG. 6 is a top view of the shredder;
FIG. 7 is a bottom view of the shredder; and
FIG. 8 is a bottom perspective view of the shredder.

In accordance with a second embodiment of the present invention:

FIG. 9 is a top perspective view of a shredder according to my design;
FIG. 10 is a front view of the shredder;
FIG. 11 is a back view of the shredder;
FIG. 12 is a right side view of the shredder;
FIG. 13 is a left side view of the shredder;
FIG. 14 is a top view of the shredder;
FIG. 15 is a bottom view of the shredder; and,
FIG. 16 is a bottom perspective view of the shredder.

Any broken lines shown are included for the purpose of illustrating the environment of the design and form no part of the claimed design.

1 Claim, 16 Drawing Sheets



US D690,764 S

Page 2

(56)

References Cited

U.S. PATENT DOCUMENTS

2011/0253819 A1*	10/2011	Aries et al.	241/100
2012/0024991 A1*	2/2012	Pilch et al.	241/25
2012/0111979 A1*	5/2012	Jensen et al.	241/25
2010/0308139 A1*	12/2010	Abramson et al.	241/25

* cited by examiner

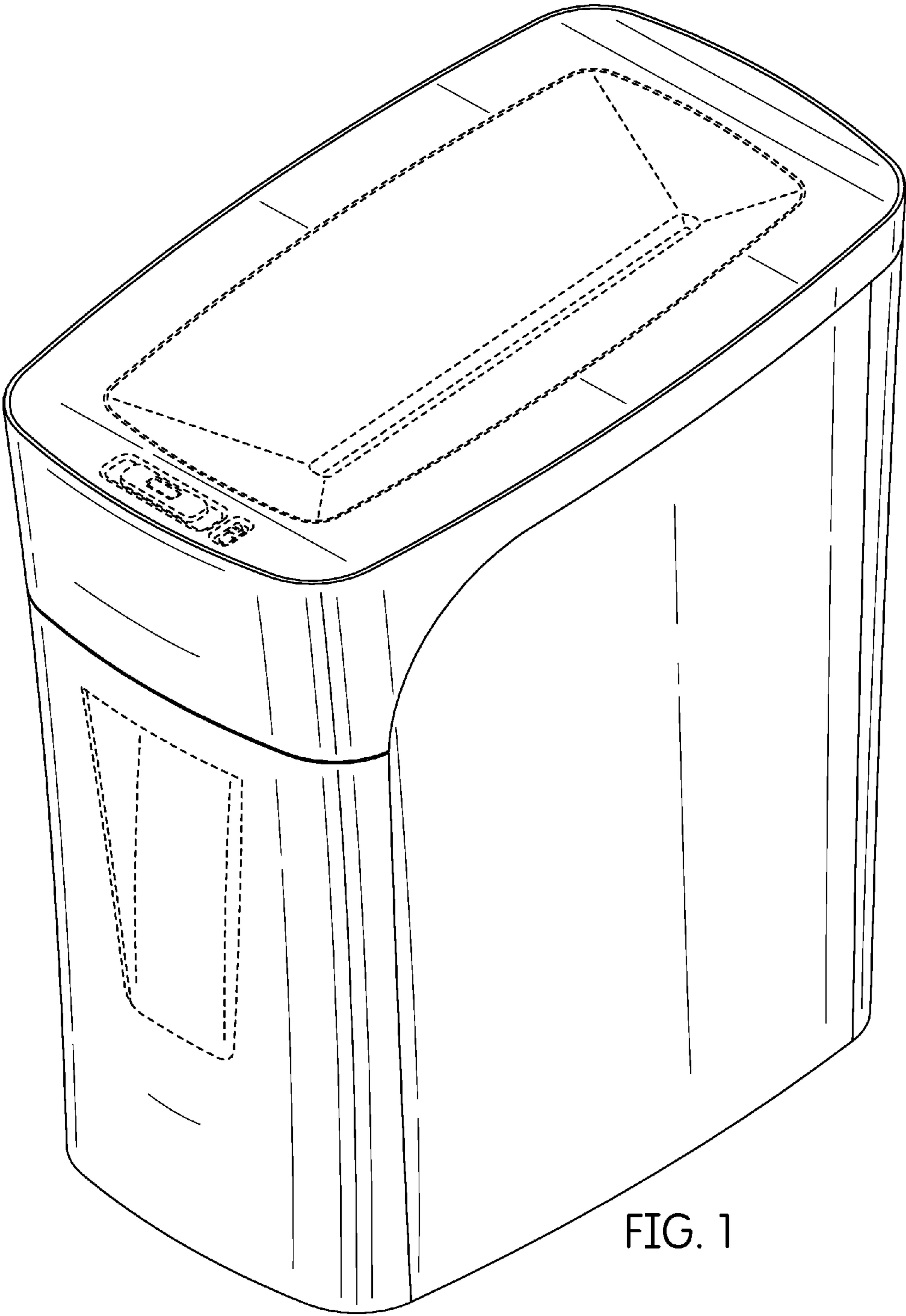


FIG. 1

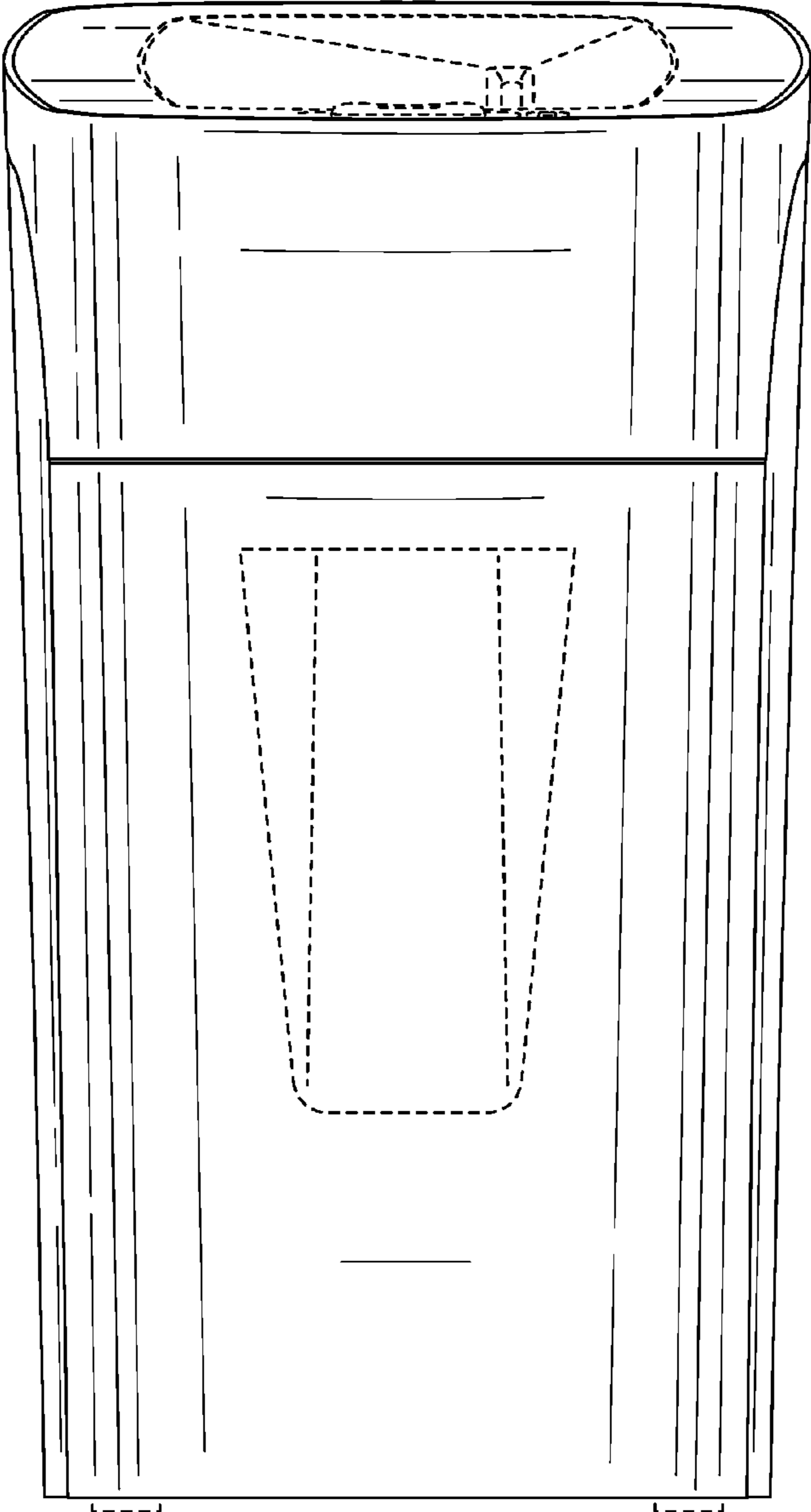


FIG. 2

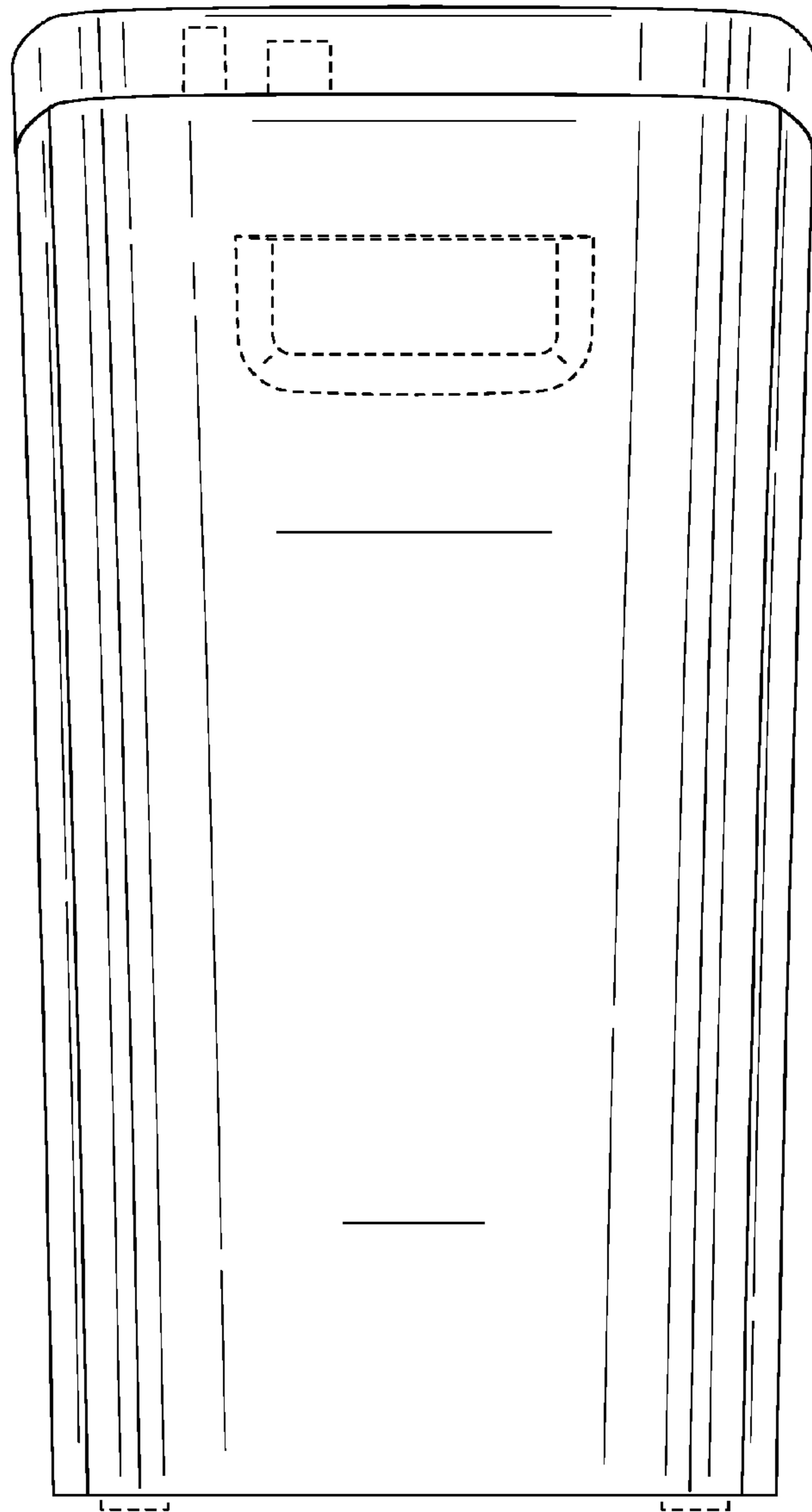


FIG. 3

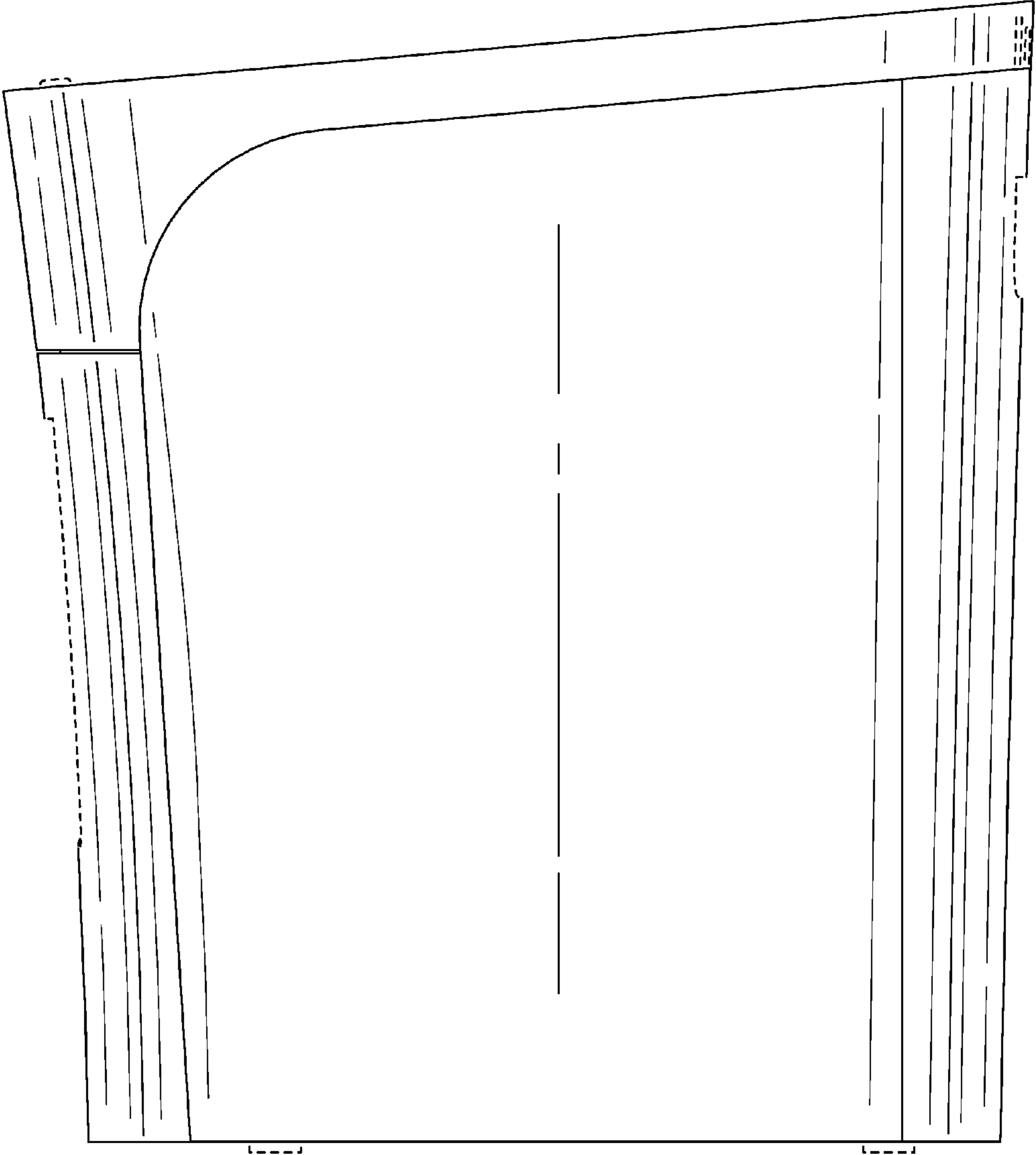


FIG. 4

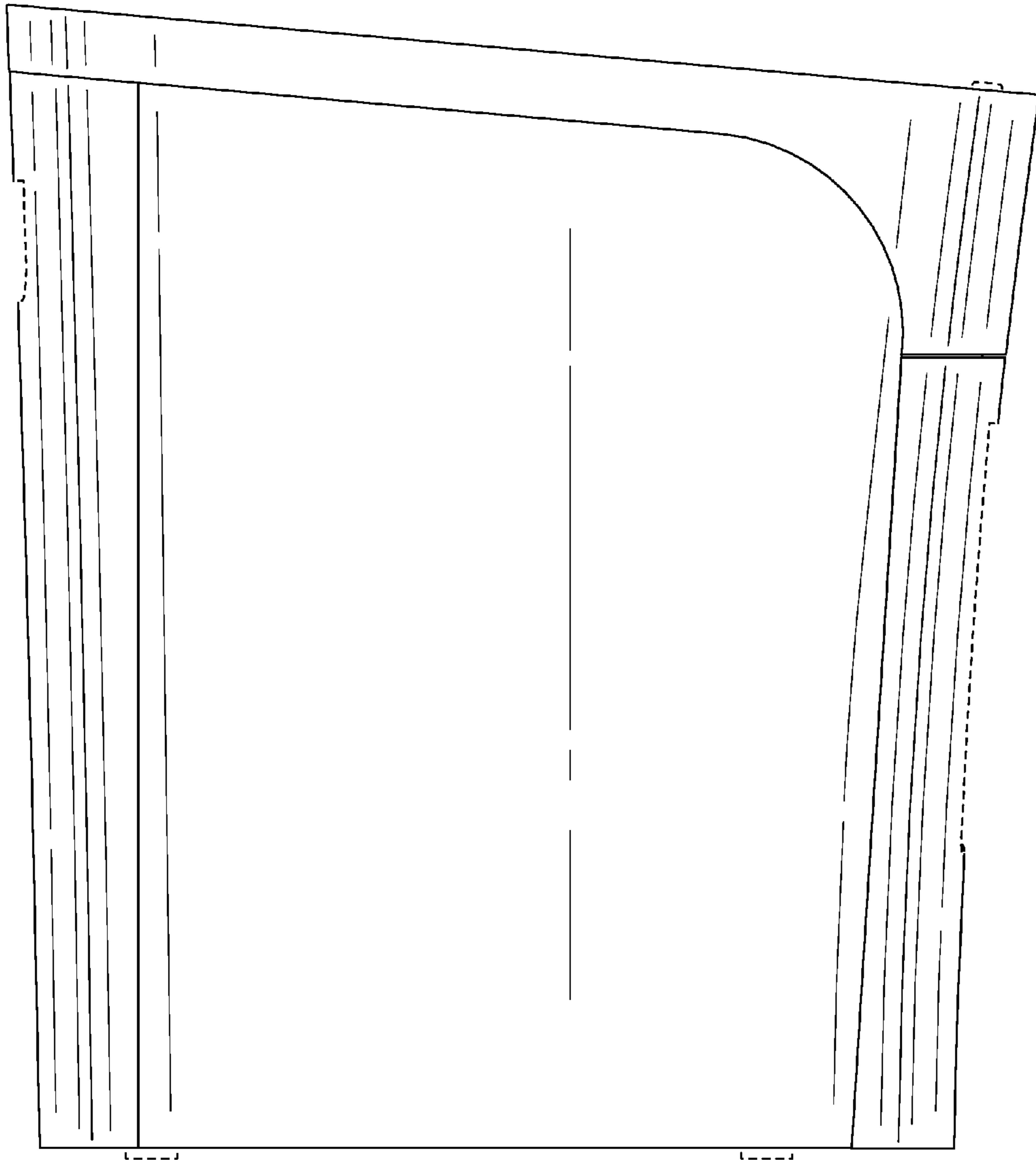


FIG. 5

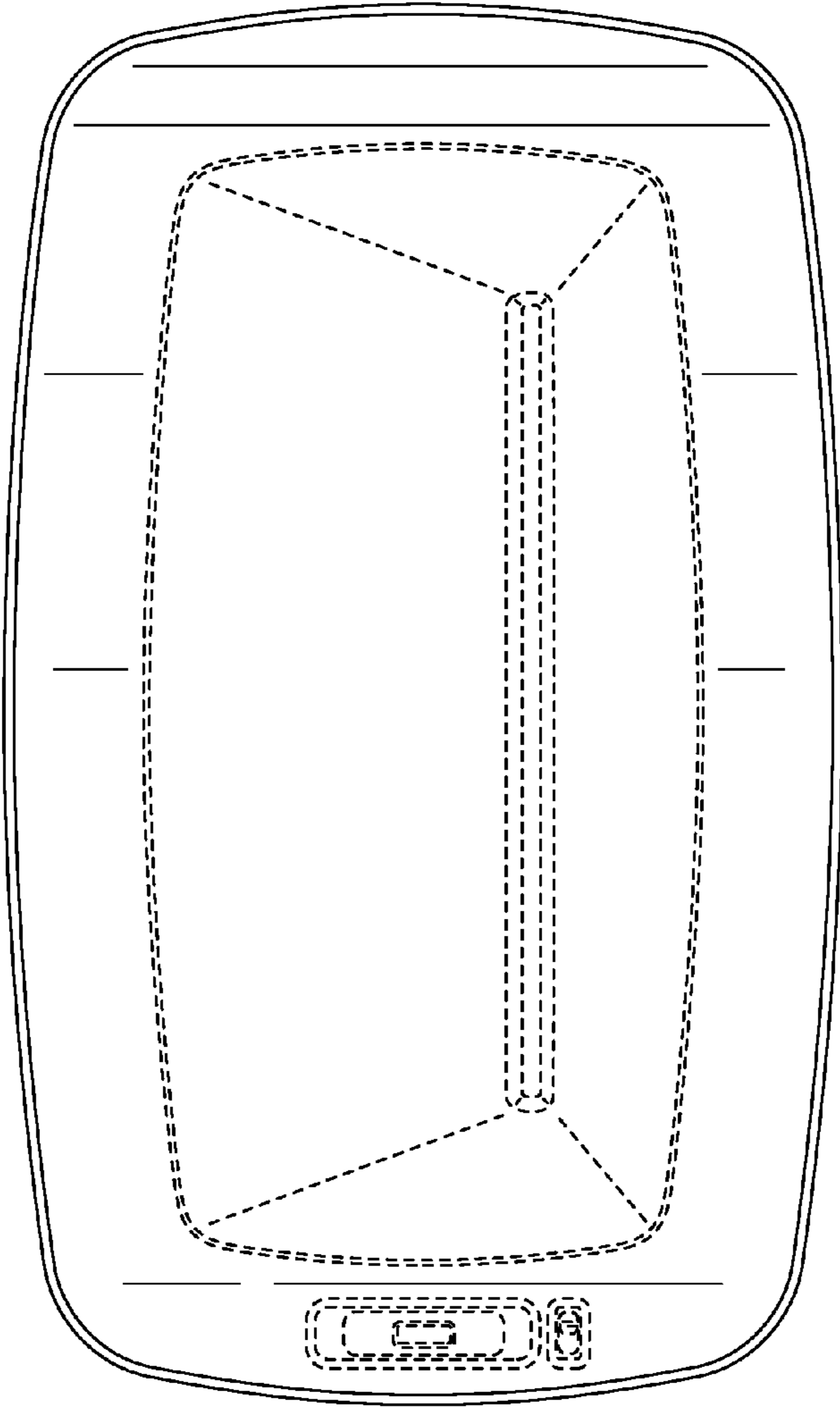


FIG. 6

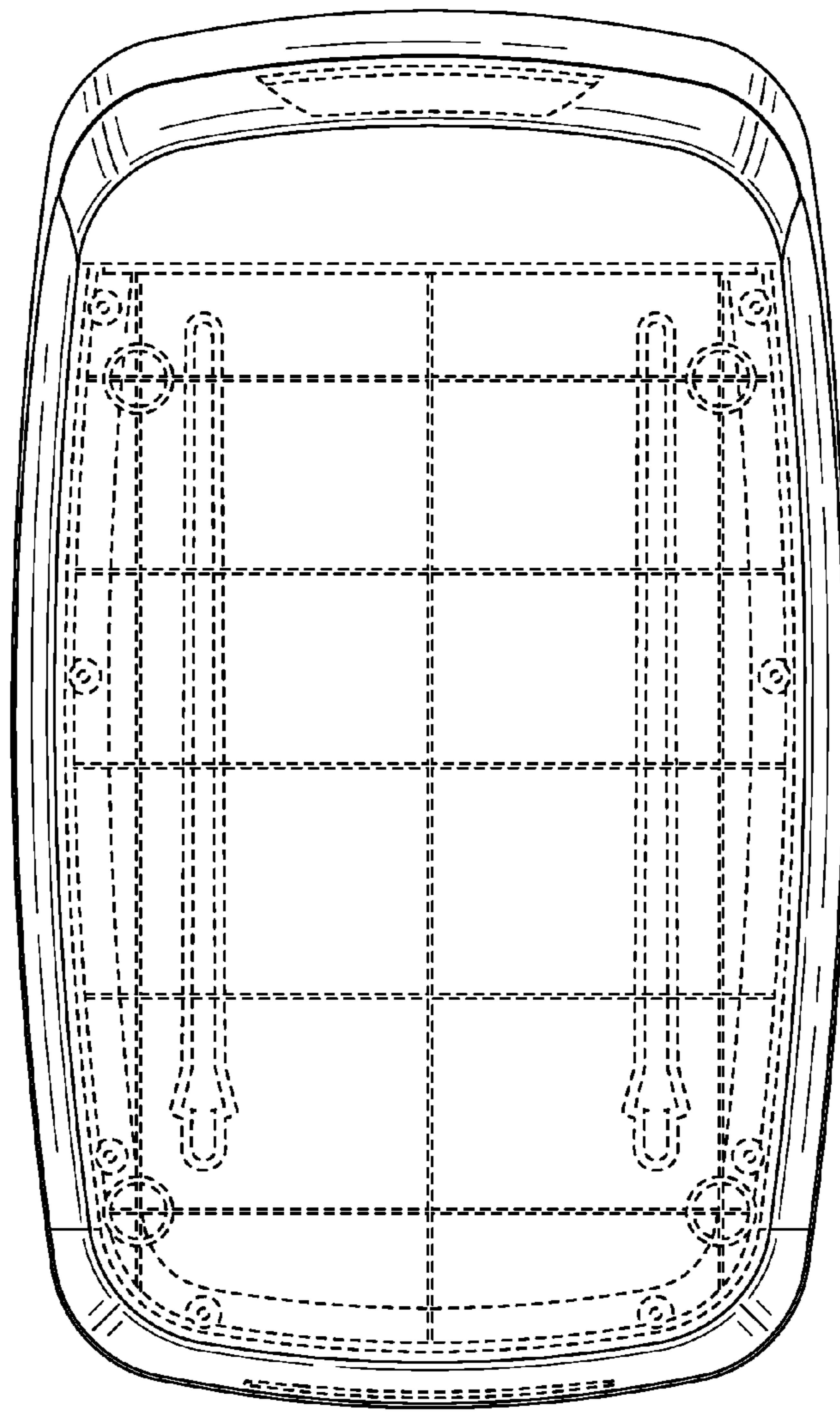


FIG. 7

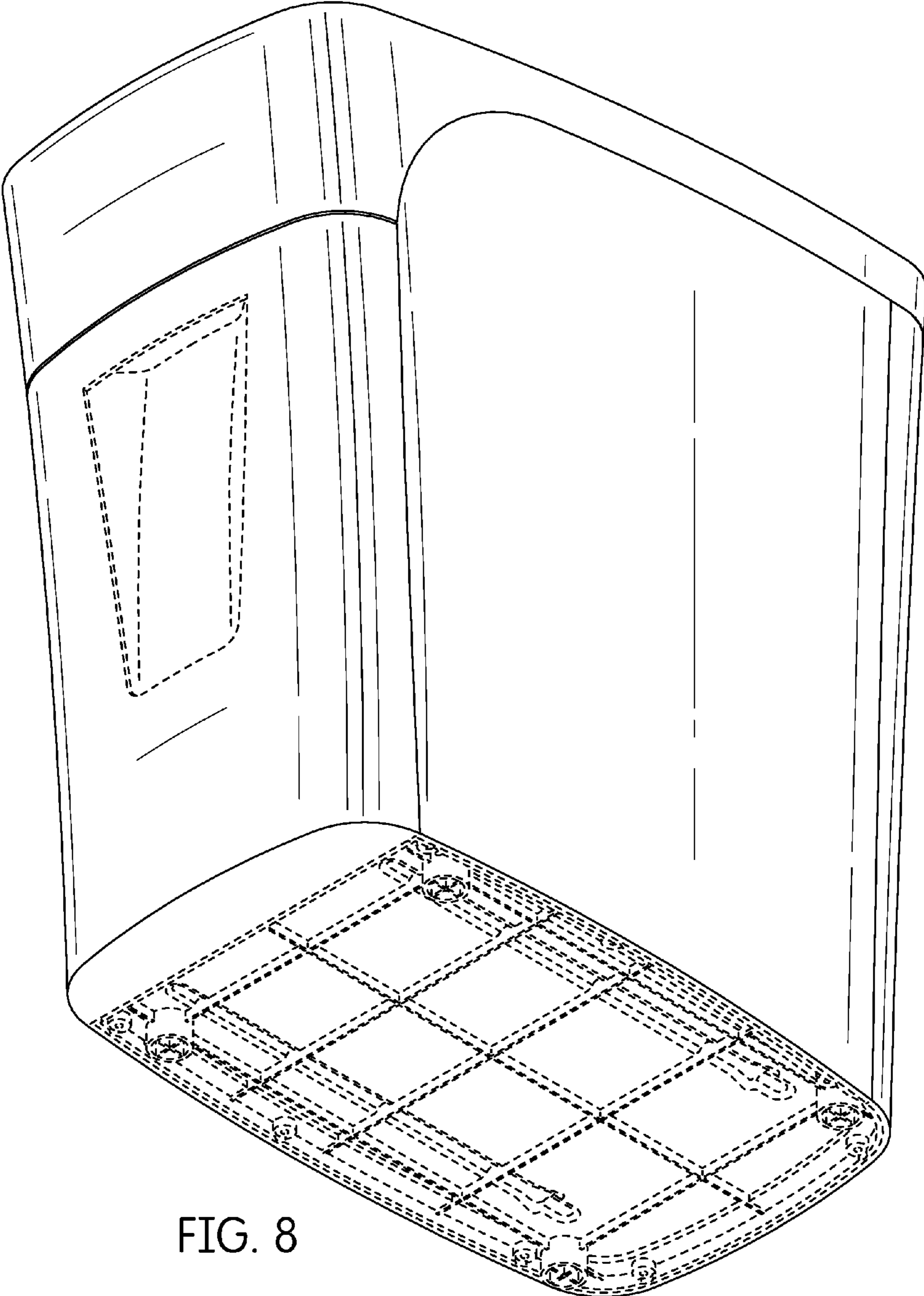


FIG. 8

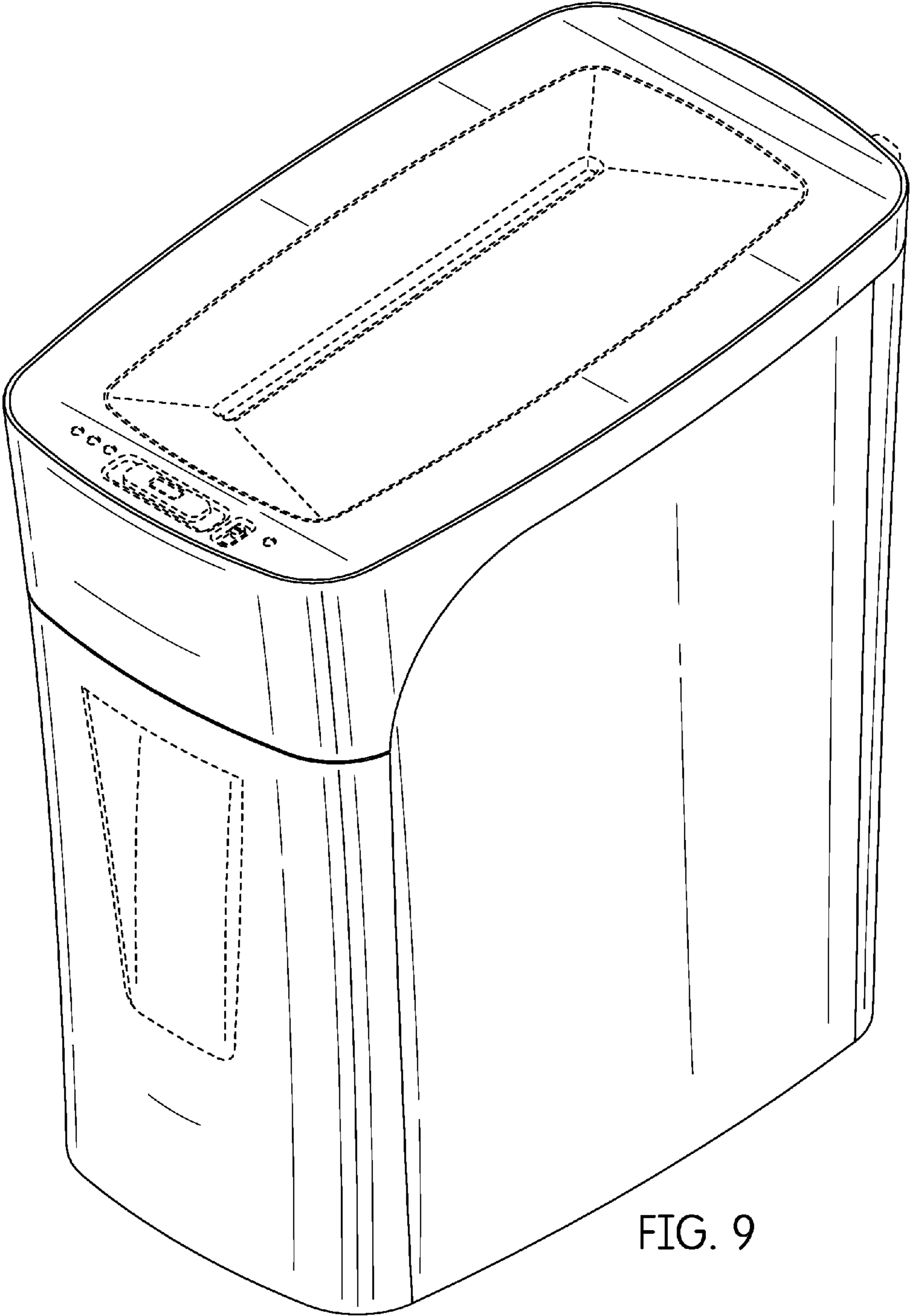


FIG. 9

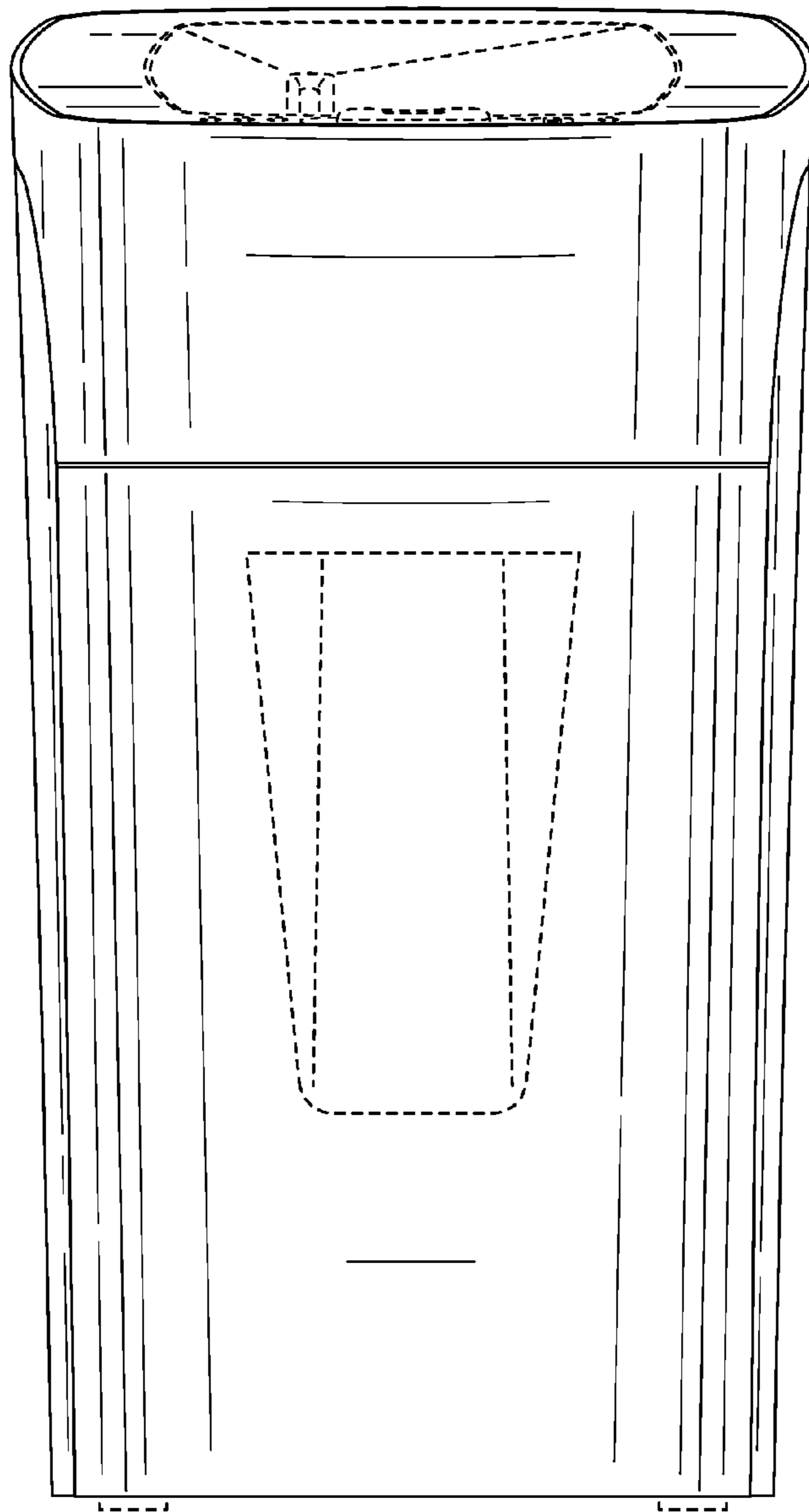


FIG. 10

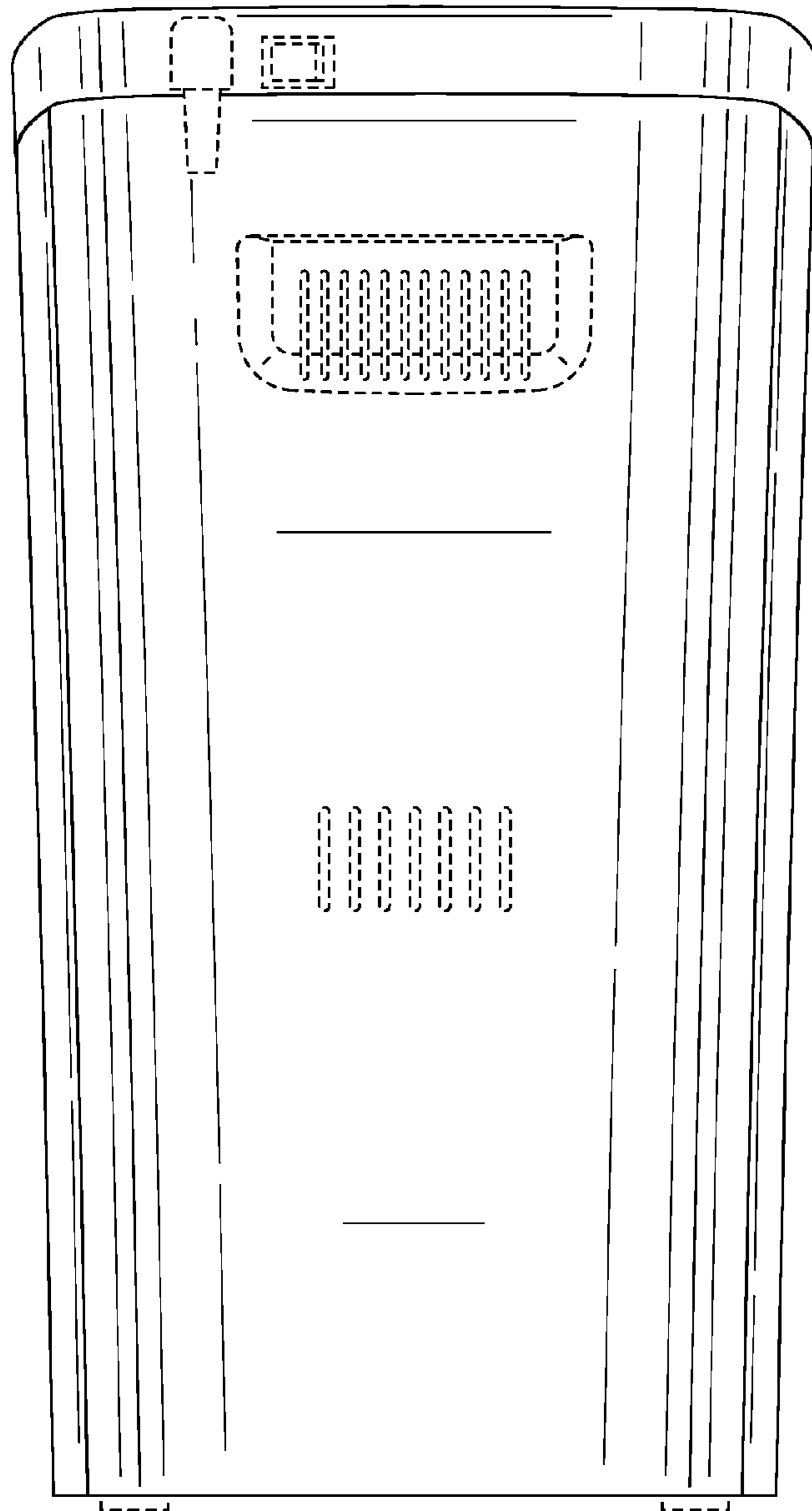


FIG. 11

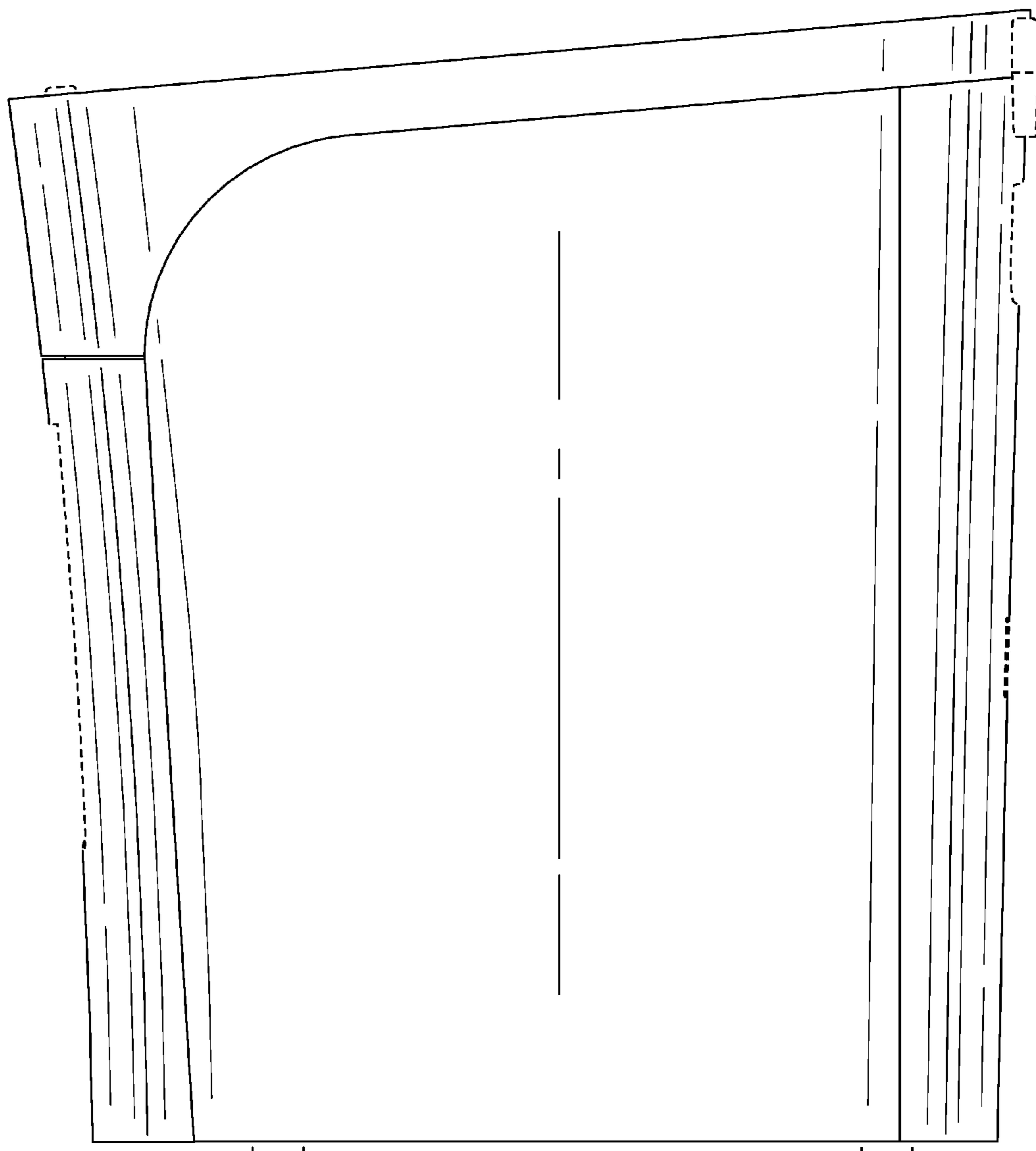


FIG. 12

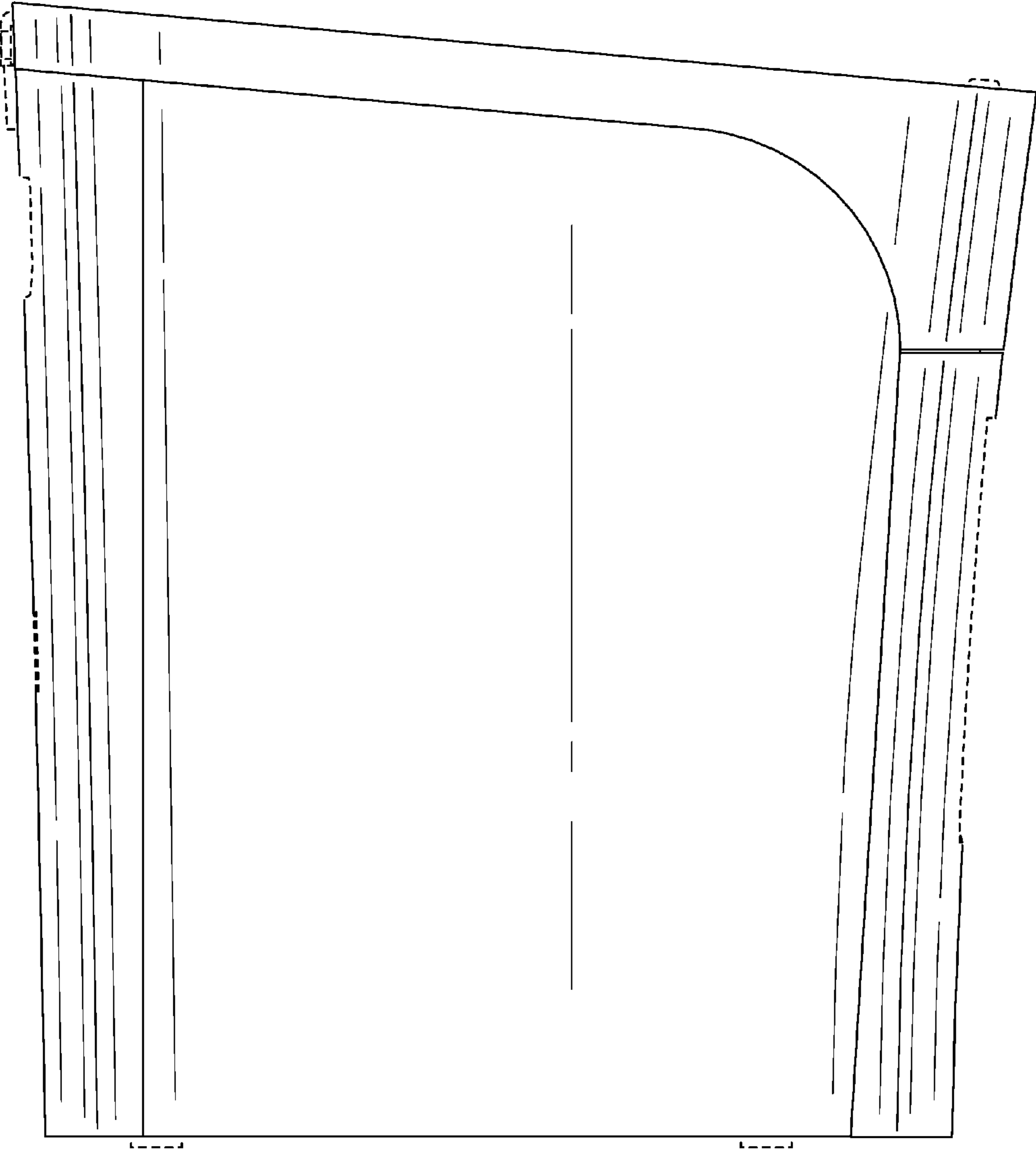


FIG. 13

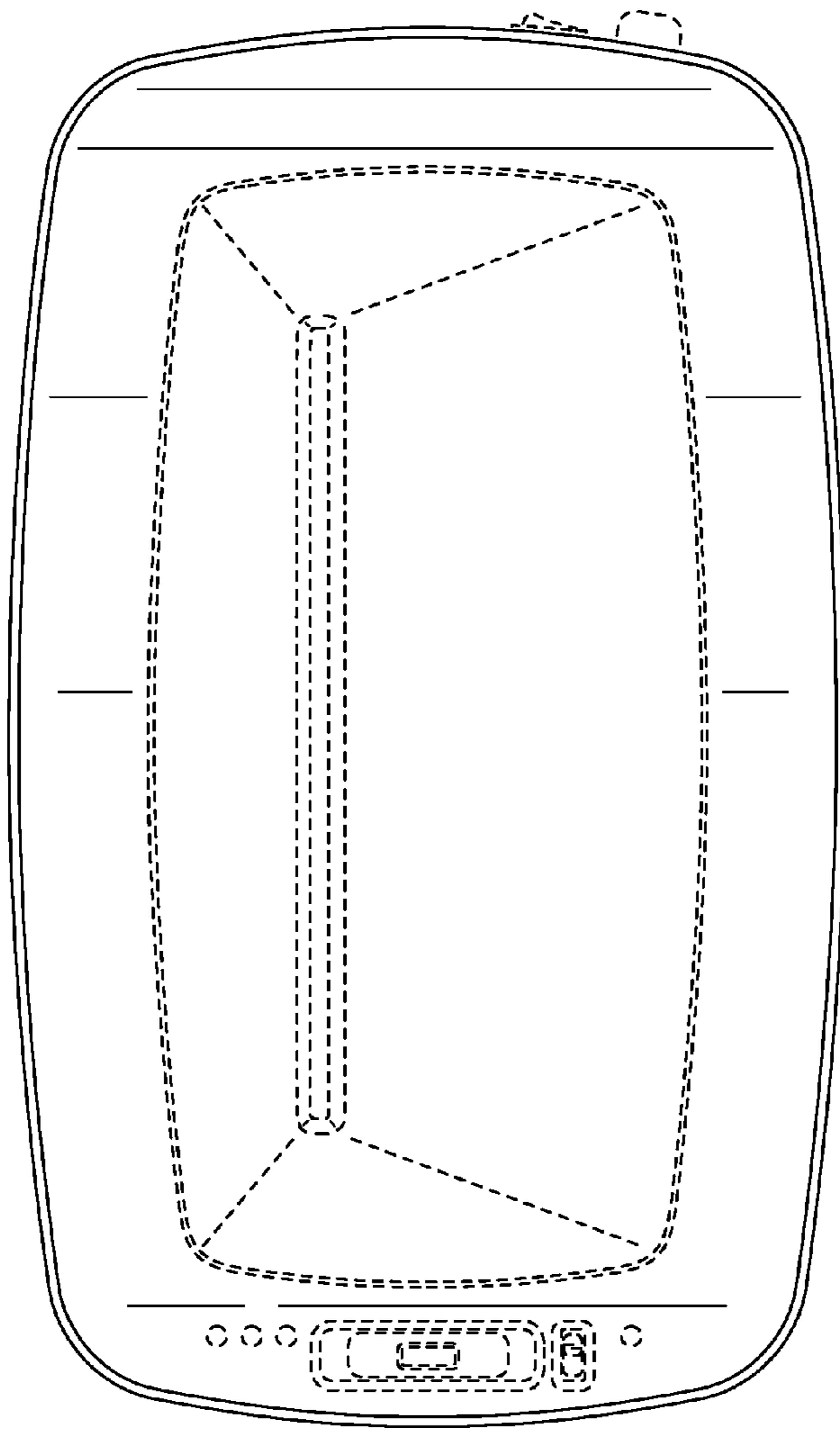


FIG. 14

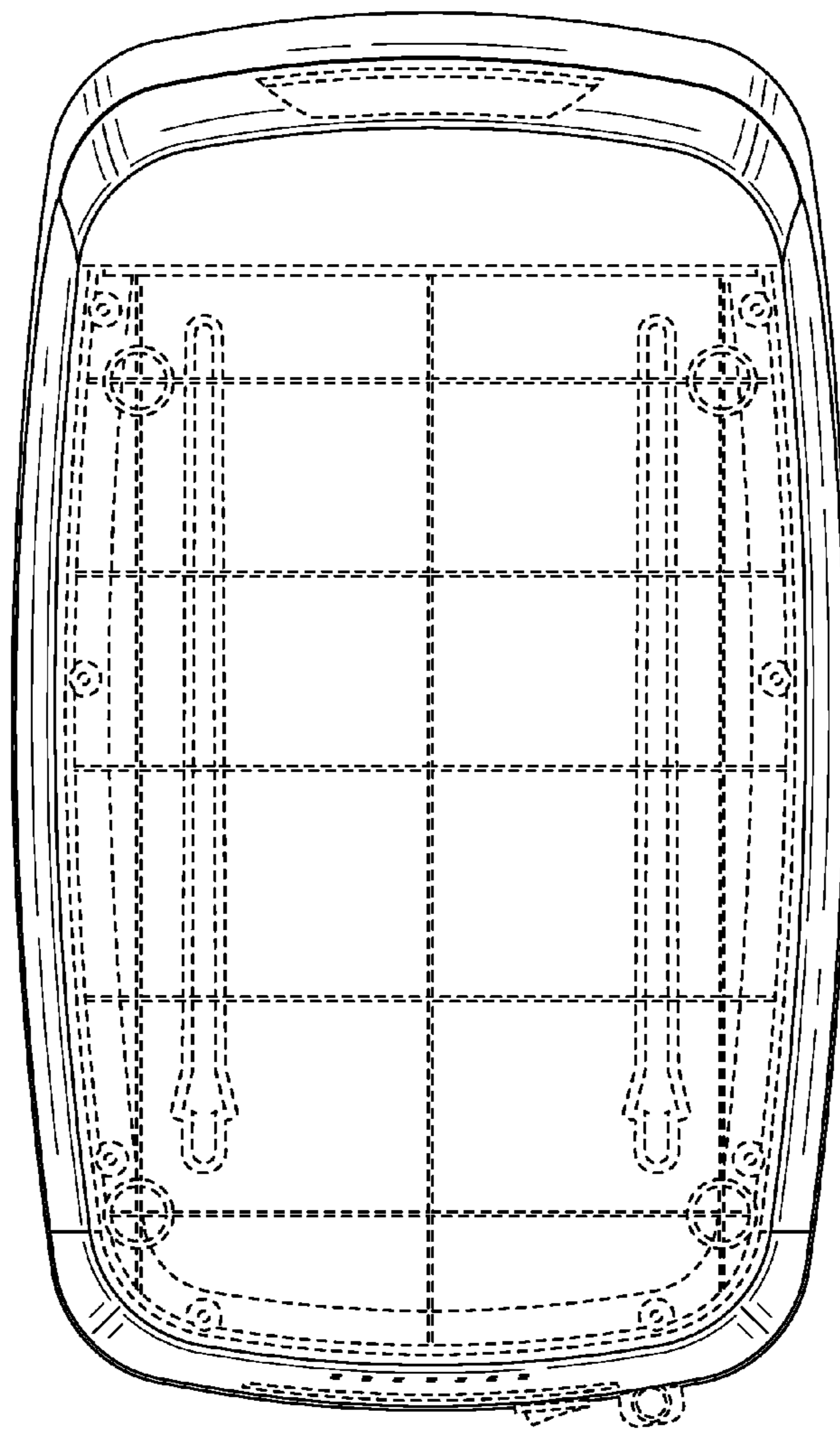


FIG. 15

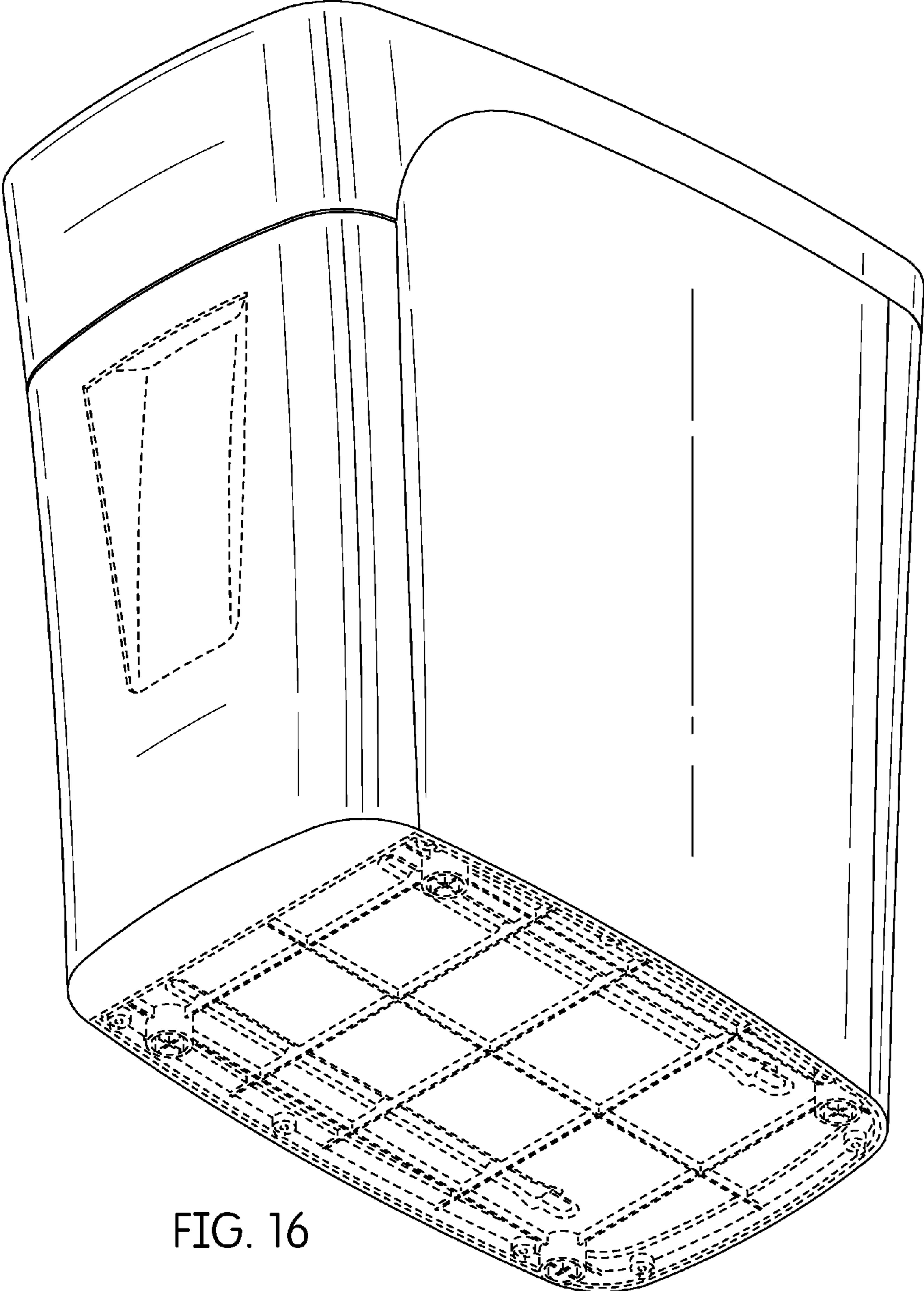


FIG. 16