



(12) **United States Design Patent**  
**Huang**

(10) **Patent No.:** **US D690,760 S**  
(45) **Date of Patent:** **\*\* Oct. 1, 2013**

(54) **BASE OF CAMERA**  
(71) Applicant: **Vivotek Inc.**, New Taipei (TW)  
(72) Inventor: **Chung-Yon Huang**, New Taipei (TW)  
(73) Assignee: **Vivotek Inc.**, New Taipei (TW)

D571,188 S \* 6/2008 Brassard ..... D8/354  
D577,968 S \* 10/2008 Siau ..... D8/14  
D610,946 S \* 3/2010 Harada ..... D11/218  
D619,157 S \* 7/2010 Kim et al. .... D16/242  
D663,609 S \* 7/2012 Ogden, Jr. .... D8/354  
D665,432 S \* 8/2012 Jacob et al. .... D15/140  
D680,151 S \* 4/2013 Katori ..... D16/242

(\*\*) Term: **14 Years**  
(21) Appl. No.: **29/444,357**  
(22) Filed: **Jan. 30, 2013**

\* cited by examiner

*Primary Examiner* — Susan Bennett Hattan  
*Assistant Examiner* — Vy Koenig  
(74) *Attorney, Agent, or Firm* — Morris Manning & Martin LLP; Tim Tingkang Xia, Esq.

(30) **Foreign Application Priority Data**  
Aug. 7, 2012 (TW) ..... 101304520

(57) **CLAIM**  
The ornamental design for a “base of camera,” as shown and described.

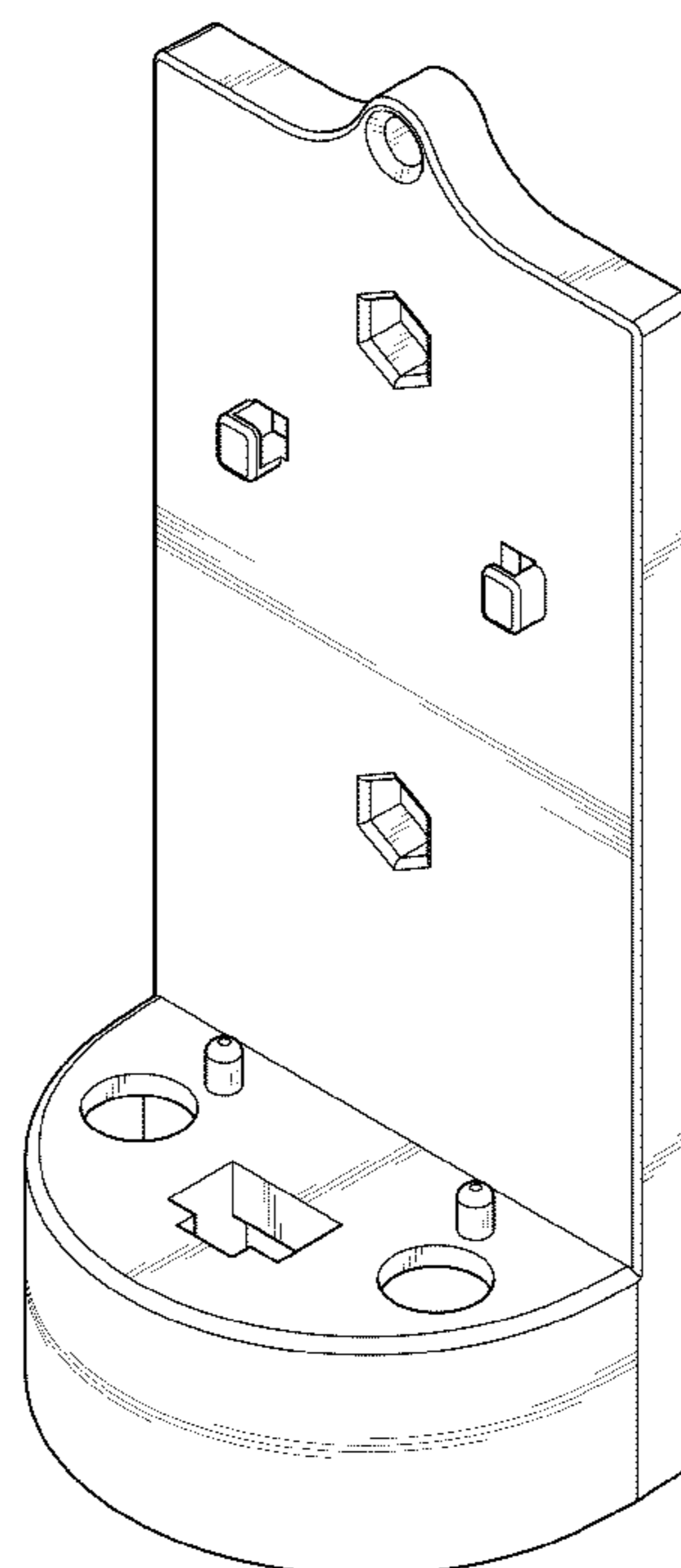
(51) **LOC (9) Cl.** ..... **16-05**  
(52) **U.S. Cl.**  
USPC ..... **D16/242**  
(58) **Field of Classification Search**  
USPC ..... D16/200–204, 208, 214, 219, 235,  
D16/237, 242–245, 250; D14/217, 251,  
D14/511; 248/176.1, 177.1, 178.1, 179.1,  
248/180.1, 183.1, 187.1, 683; 348/373, 375;  
396/419–428; D8/14, 354, 94  
See application file for complete search history.

**DESCRIPTION**

FIG. 1 is a front perspective view of a base of camera showing our new design;  
FIG. 2 is a rear perspective view thereof;  
FIG. 3 is a front view thereof;  
FIG. 4 is a rear view thereof;  
FIG. 5 is a left side view thereof;  
FIG. 6 is a right side view thereof;  
FIG. 7 is a top view thereof;  
FIG. 8 is a bottom view thereof; and,  
FIG. 9 is an illustration of the combination of the base of the camera and a camera.  
The broken lines shown in the drawings represent environmental subject matter and form no part of the claimed design.

(56) **References Cited**  
U.S. PATENT DOCUMENTS  
D180,027 S \* 4/1957 Lent ..... D16/243  
D283,031 S \* 3/1986 Sadre-Marandi et al. ... D16/242  
D289,772 S \* 5/1987 Young et al. .... D3/219  
D506,493 S \* 6/2005 Naito ..... D16/237

**1 Claim, 7 Drawing Sheets**



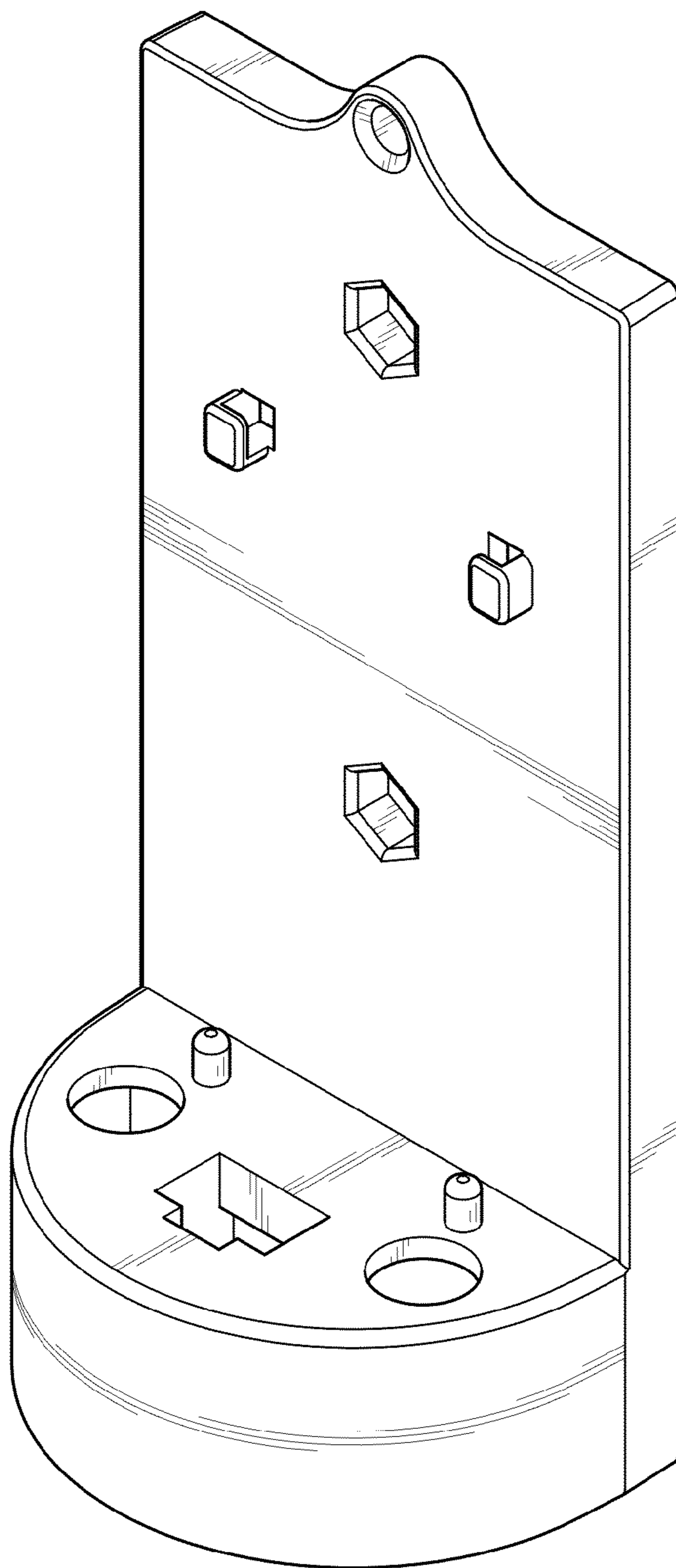


FIG. 1

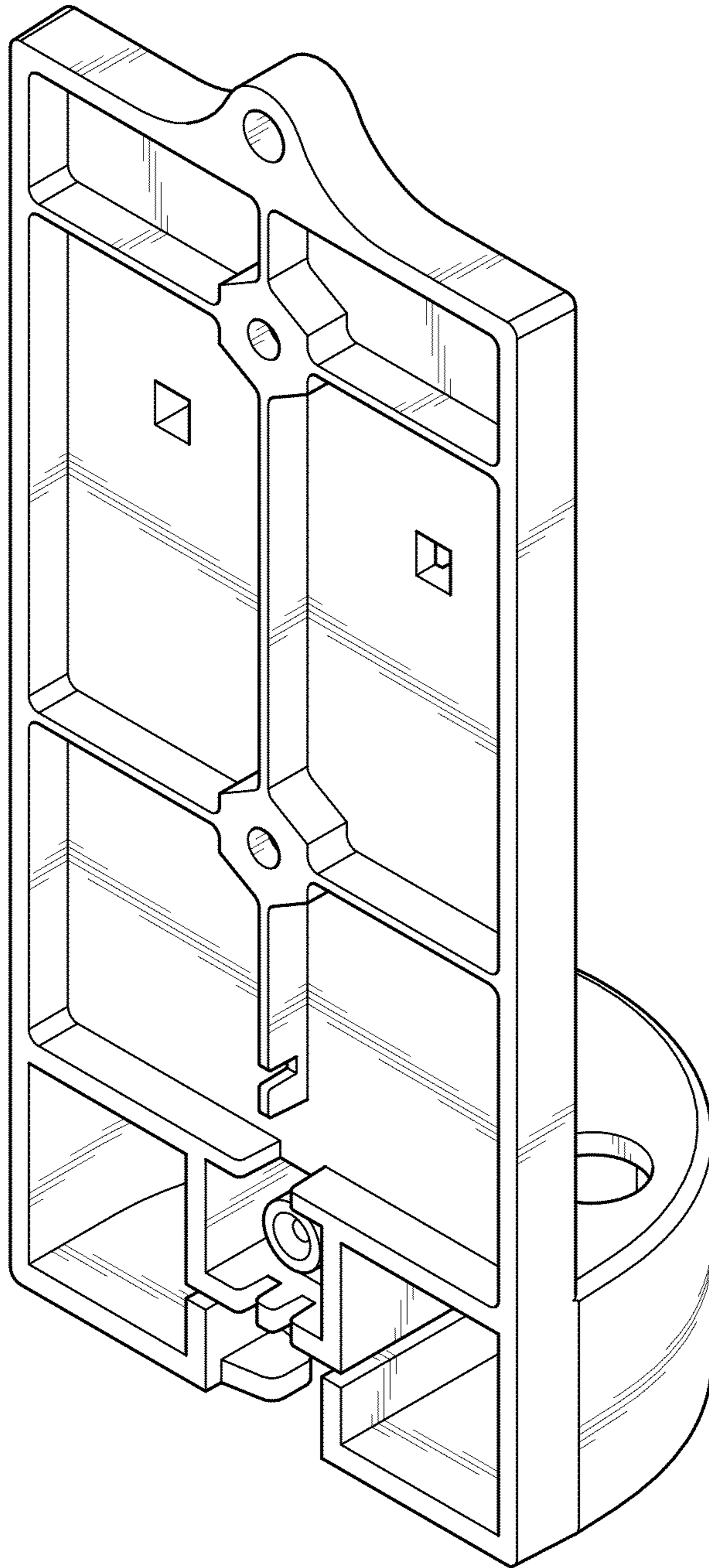


FIG. 2

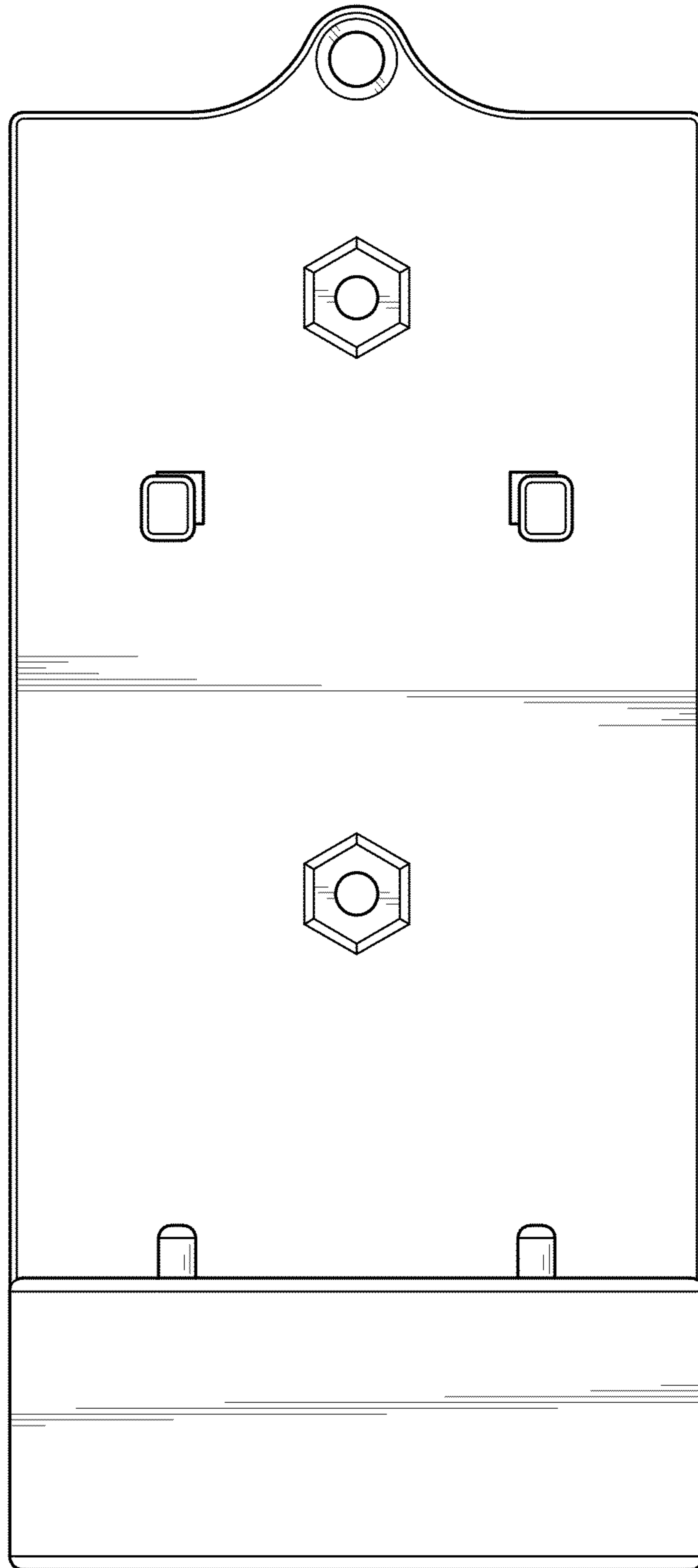


FIG. 3

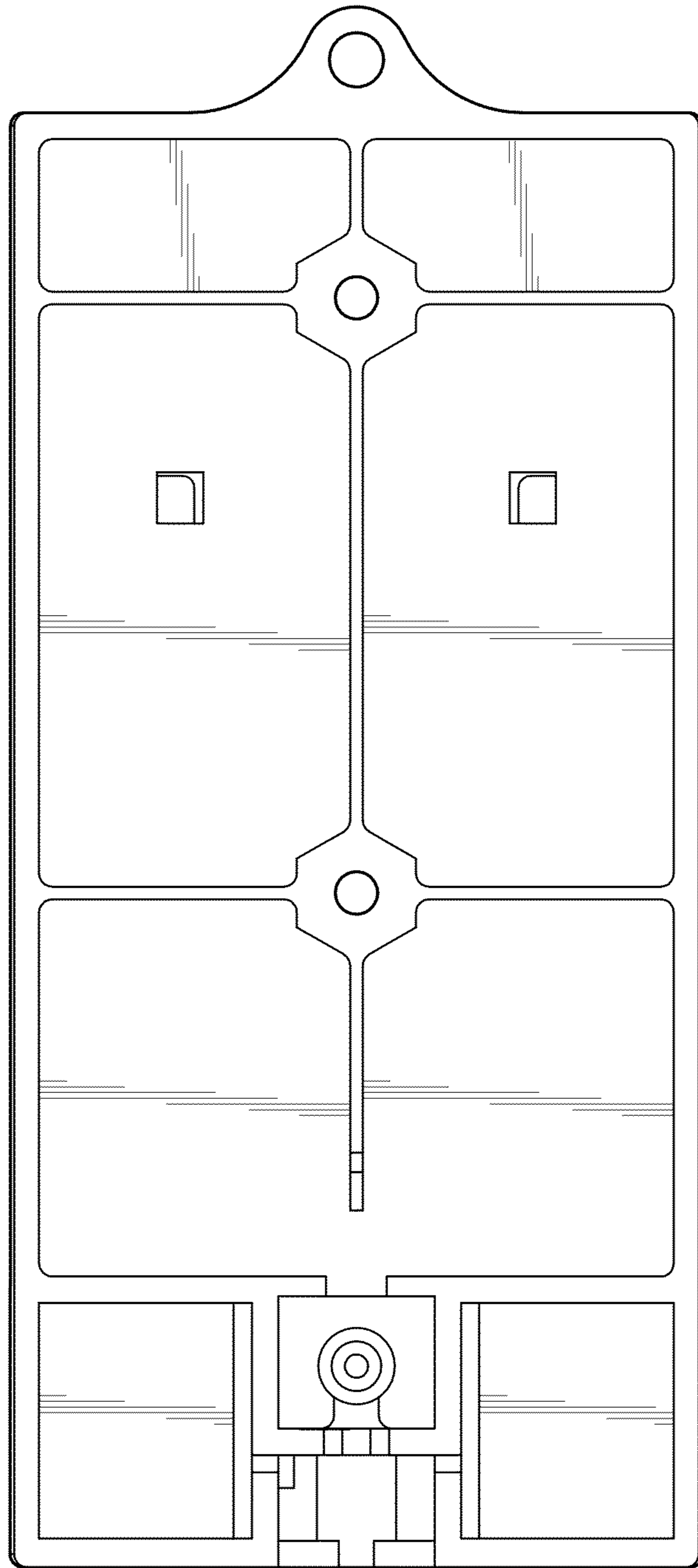


FIG. 4

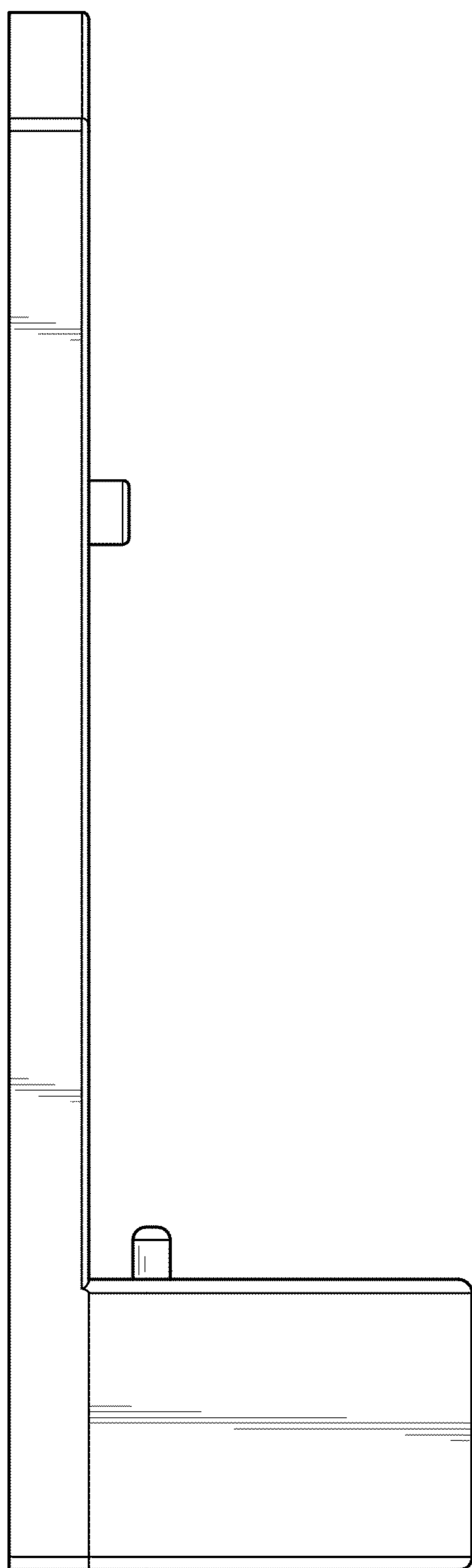


FIG. 5

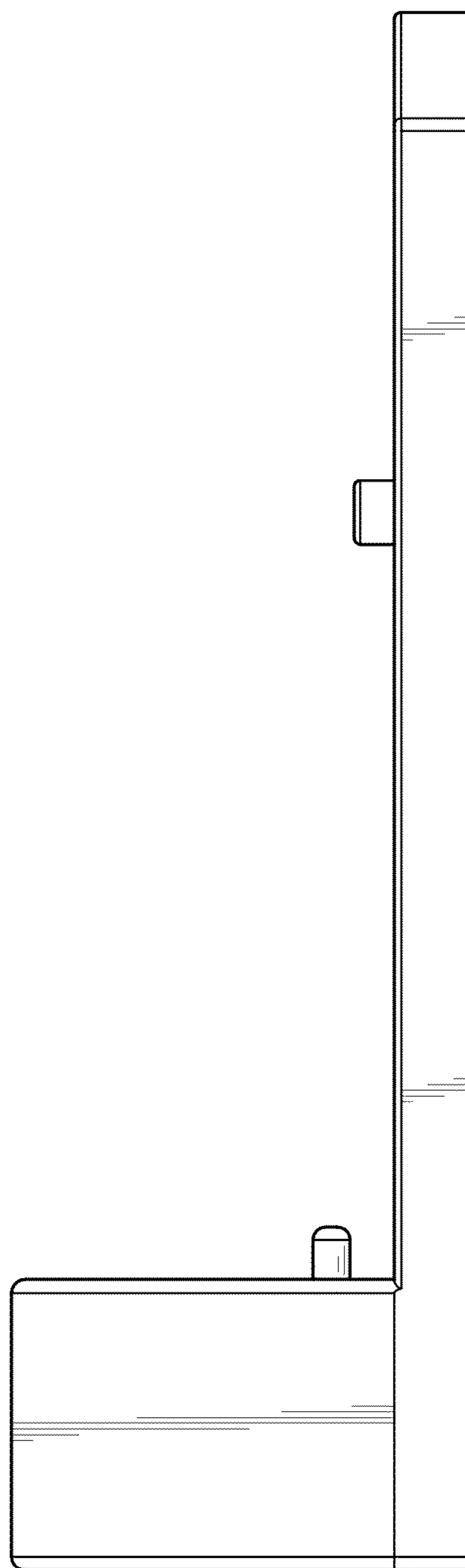


FIG. 6

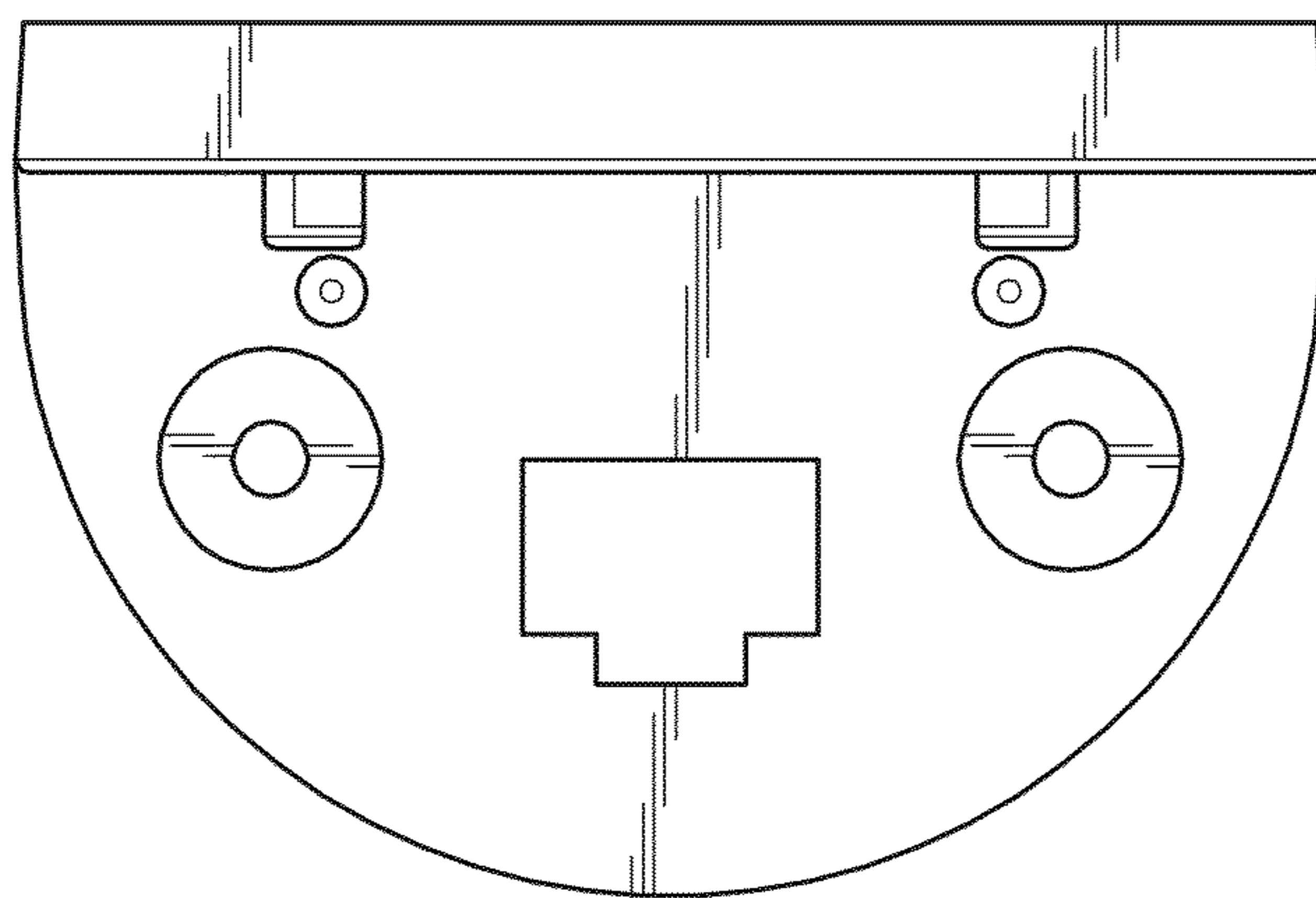


FIG. 7

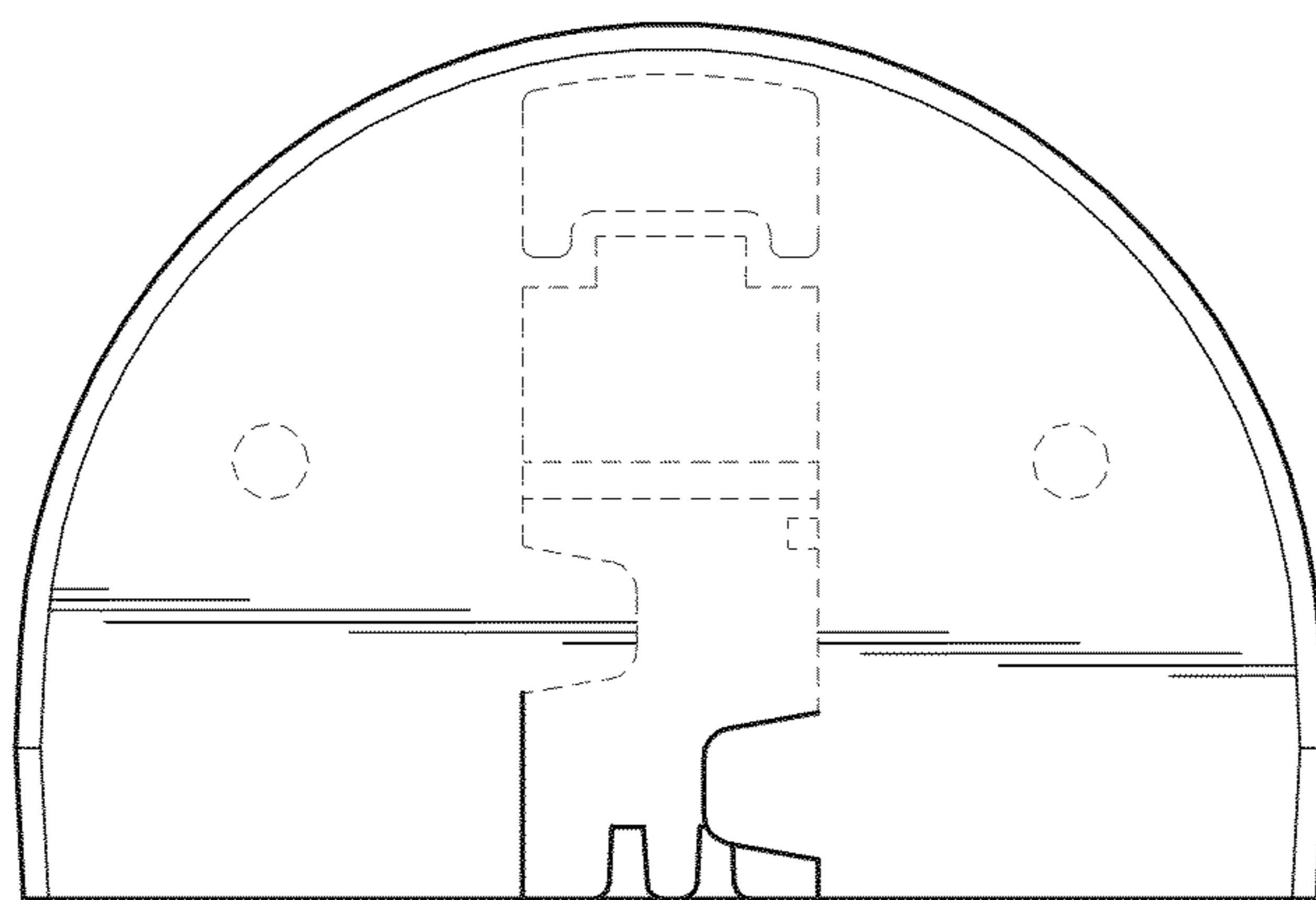


FIG. 8

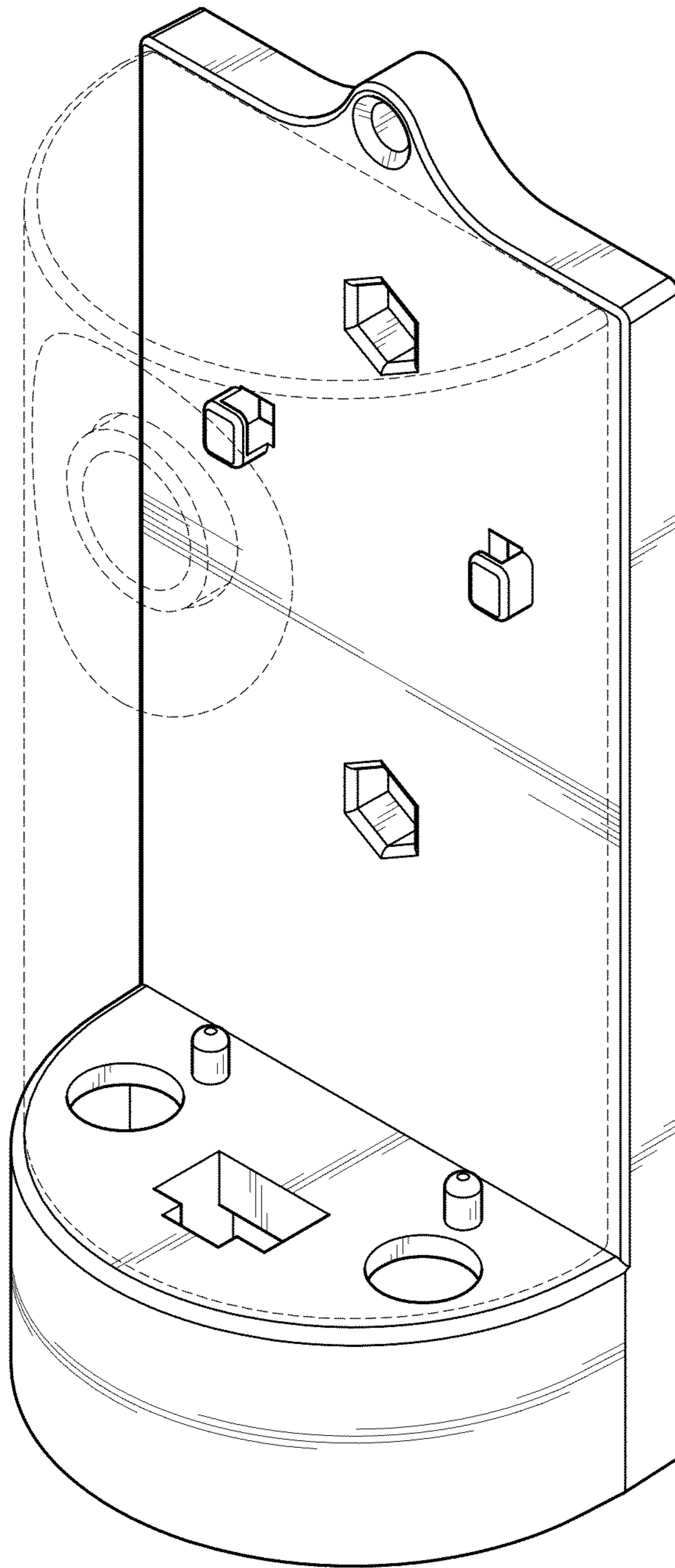


FIG. 9