



US00D690759S

(12) **United States Design Patent**  
**Moriya et al.**

(10) **Patent No.:** **US D690,759 S**

(45) **Date of Patent:** **\*\* Oct. 1, 2013**

(54) **PROJECTOR**

(71) Applicant: **NEC Display Solutions, Ltd.**, Tokyo (JP)  
  
(72) Inventors: **Yoshinobu Moriya**, Tokyo (JP);  
**Toshiyuki Yamaguchi**, Tokyo (JP);  
**Mikiya Takeda**, Tokyo (JP); **Yukihiko Oota**, Tokyo (JP); **Kazuya Inoue**, Tokyo (JP); **Jeff Chang**, Taoyuan County (TW)

(73) Assignee: **NEC Display Solutions, Ltd.**, Tokyo (JP)

(\*\*) Term: **14 Years**

(21) Appl. No.: **29/434,280**

(22) Filed: **Oct. 11, 2012**

(51) **LOC (9) Cl.** ..... **16-02**

(52) **U.S. Cl.**  
USPC ..... **D16/230; D16/225**

(58) **Field of Classification Search**  
USPC ..... D16/221, 225, 230-231, 234; D21/514;  
353/98, 115, 119, 122

See application file for complete search history.

(56) **References Cited**

U.S. PATENT DOCUMENTS

|              |    |   |         |                  |       |         |
|--------------|----|---|---------|------------------|-------|---------|
| D410,020     | S  | * | 5/1999  | Adachi           | ..... | D16/231 |
| 6,135,600    | A  | * | 10/2000 | Fujimori         | ..... | 353/119 |
| D500,070     | S  | * | 12/2004 | Yamaguchi et al. | ..... | D16/230 |
| D510,098     | S  | * | 9/2005  | Ishikawa et al.  | ..... | D16/231 |
| 7,210,796    | B2 | * | 5/2007  | Inuma et al.     | ..... | 353/119 |
| D551,689     | S  | * | 9/2007  | Sakaguchi et al. | ..... | D16/230 |
| D599,393     | S  | * | 9/2009  | Takeda et al.    | ..... | D16/225 |
| 2008/0055553 | A1 | * | 3/2008  | Hirouchi et al.  | ..... | 353/119 |

\* cited by examiner

*Primary Examiner* — Wan Laymon

(74) *Attorney, Agent, or Firm* — Sughrue Mion, PLLC

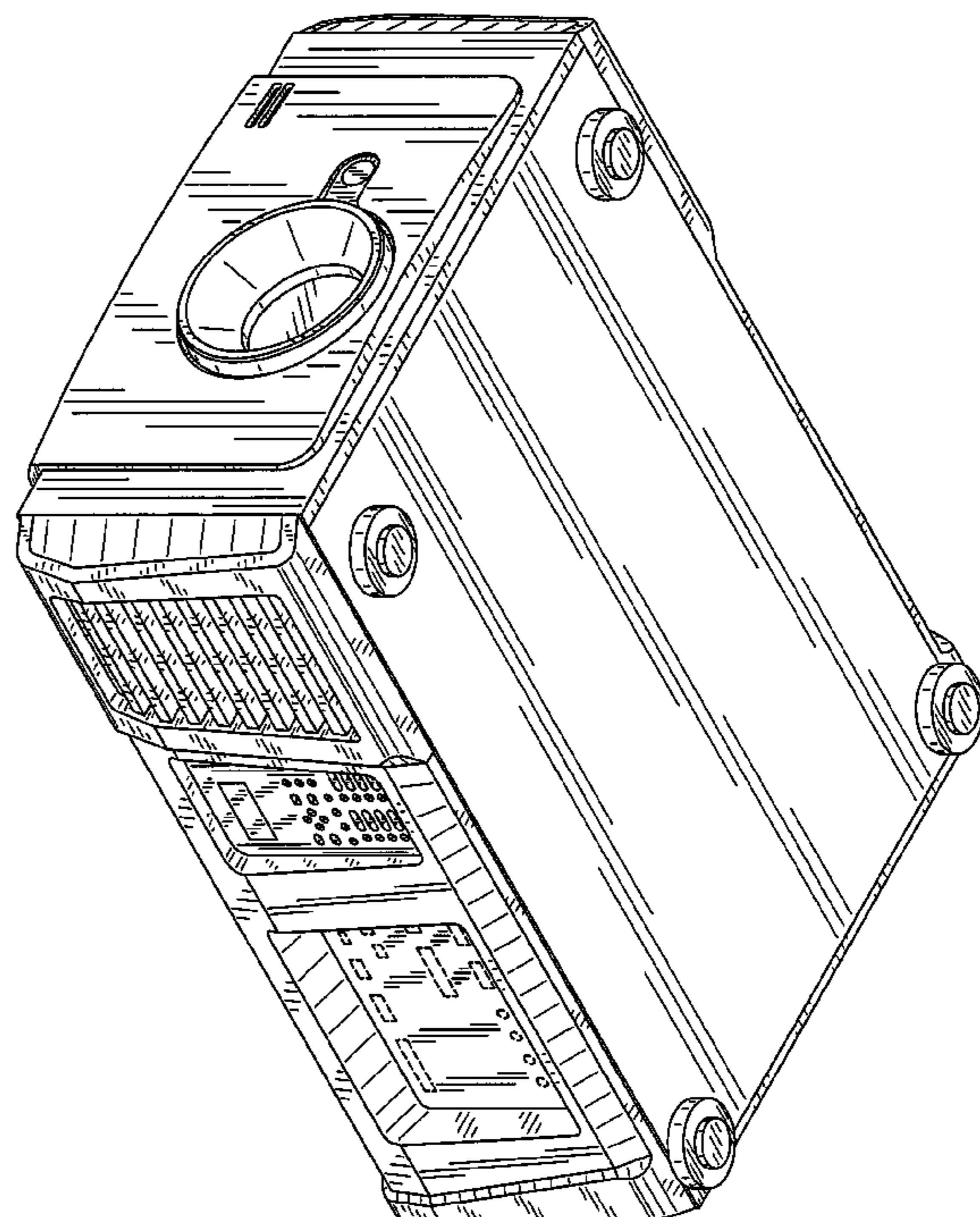
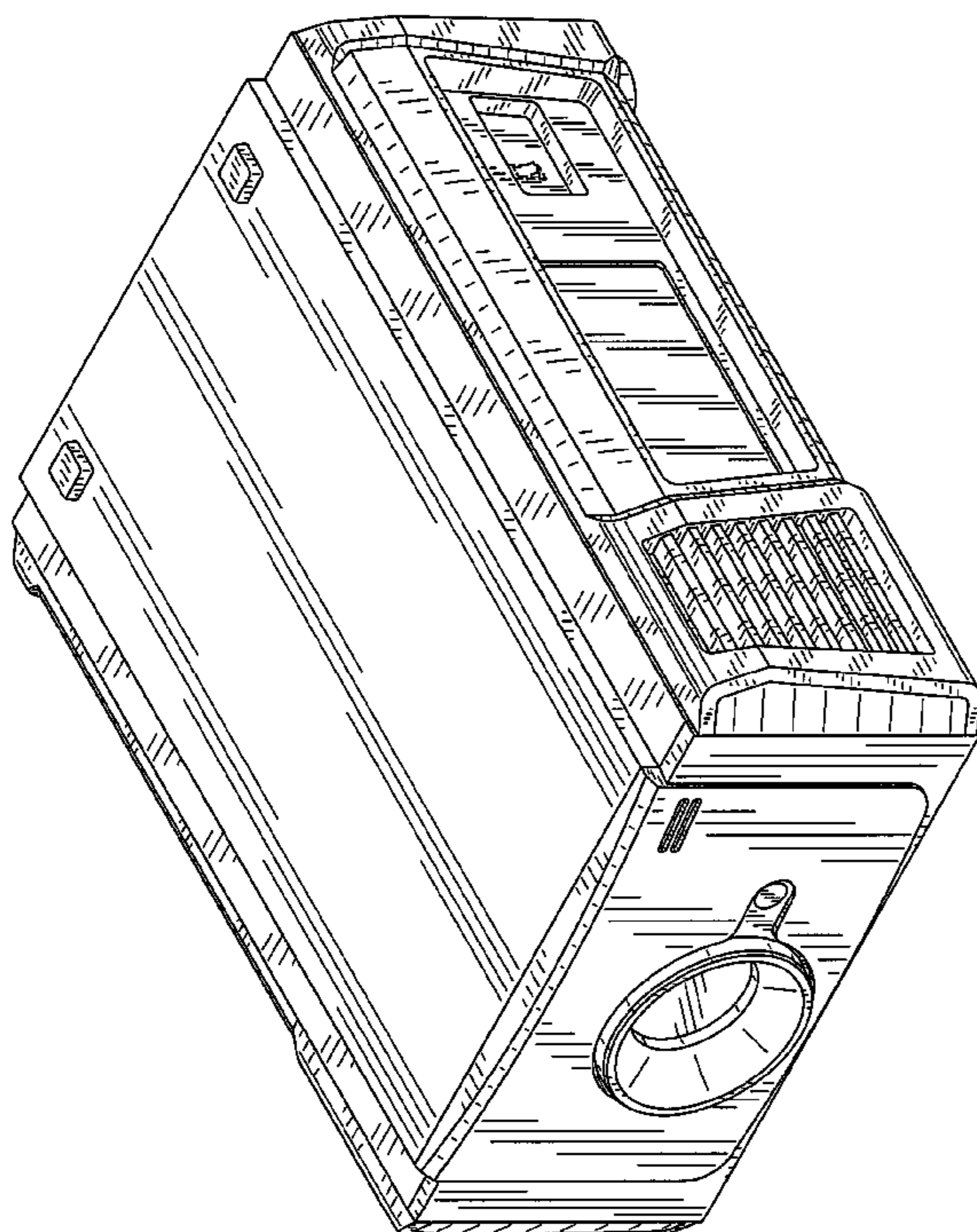
(57) **CLAIM**

The ornamental design for a projector, as shown and described.

**DESCRIPTION**

FIG. 1 is a front, right side, top perspective view of a projector showing our new design;  
FIG. 2 is a front elevational view thereof;  
FIG. 3 is a rear elevational view thereof;  
FIG. 4 is a left side view thereof;  
FIG. 5 is a right side view thereof;  
FIG. 6 is a top plan view thereof;  
FIG. 7 is a bottom plan view thereof; and,  
FIG. 8 is a front, left side, bottom perspective view thereof.  
The portions in broken lines are shown for illustrative purposes only and form no part of the claimed design.

**1 Claim, 6 Drawing Sheets**



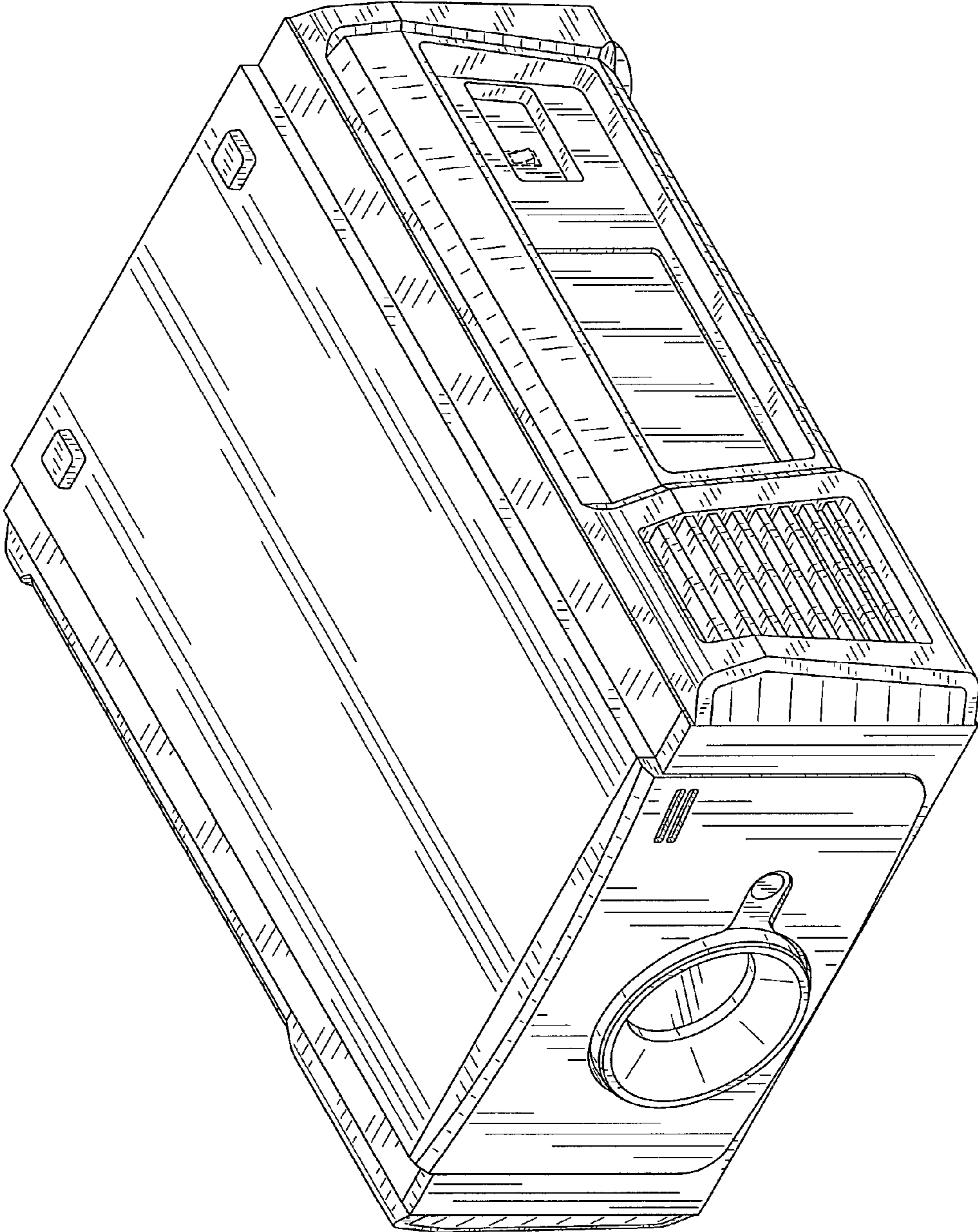


FIG. 1

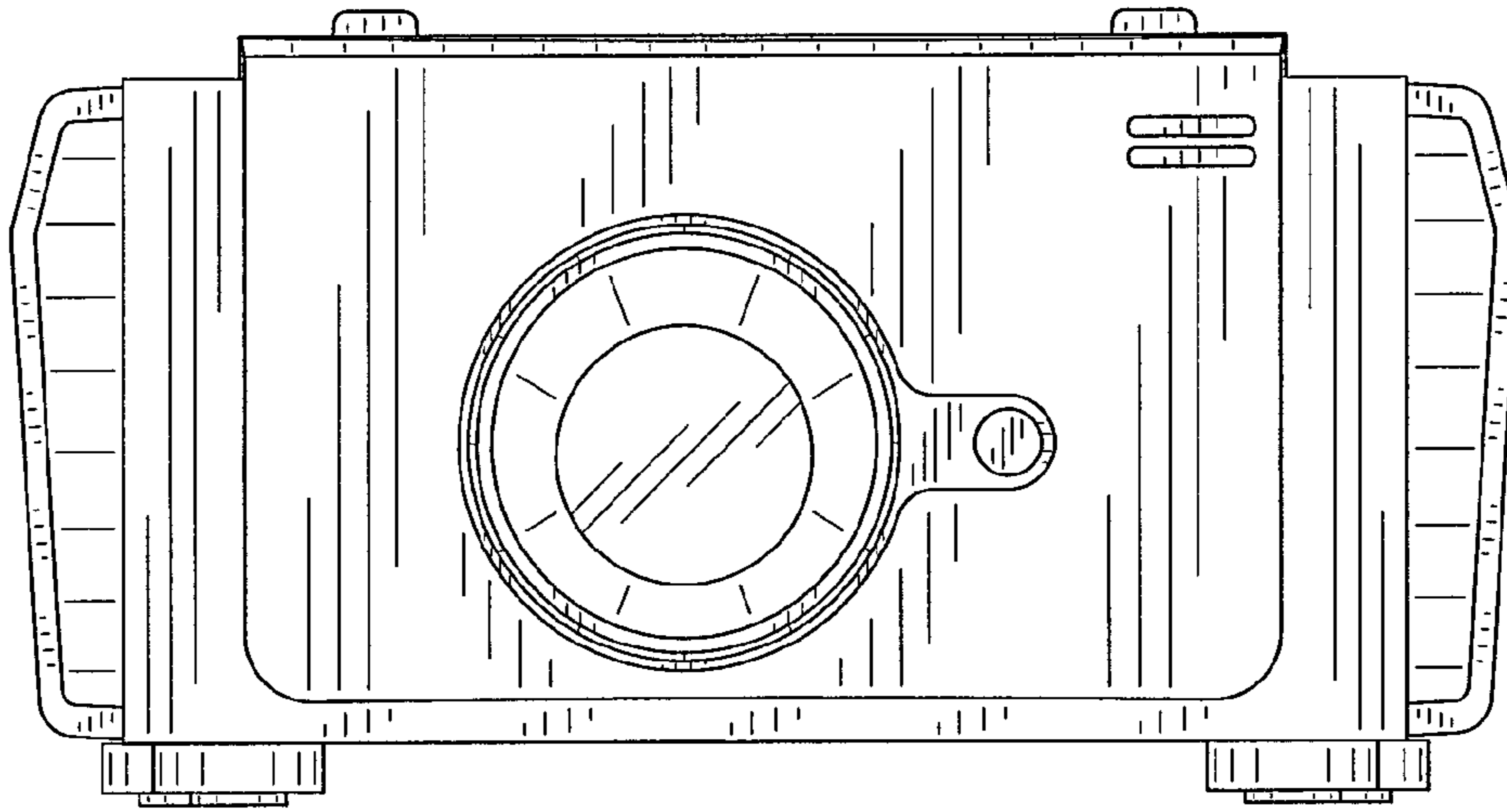


FIG. 2

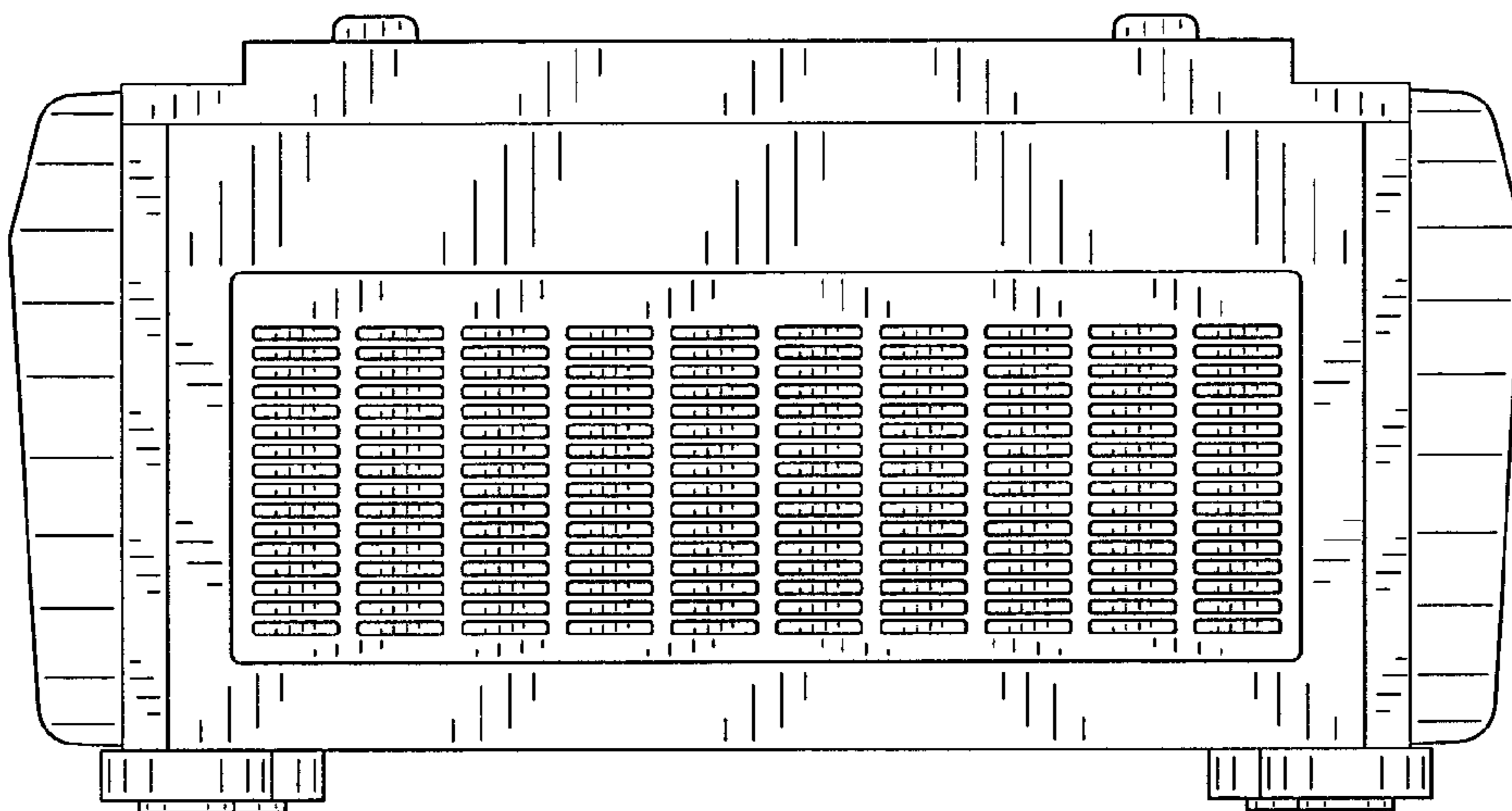


FIG. 3

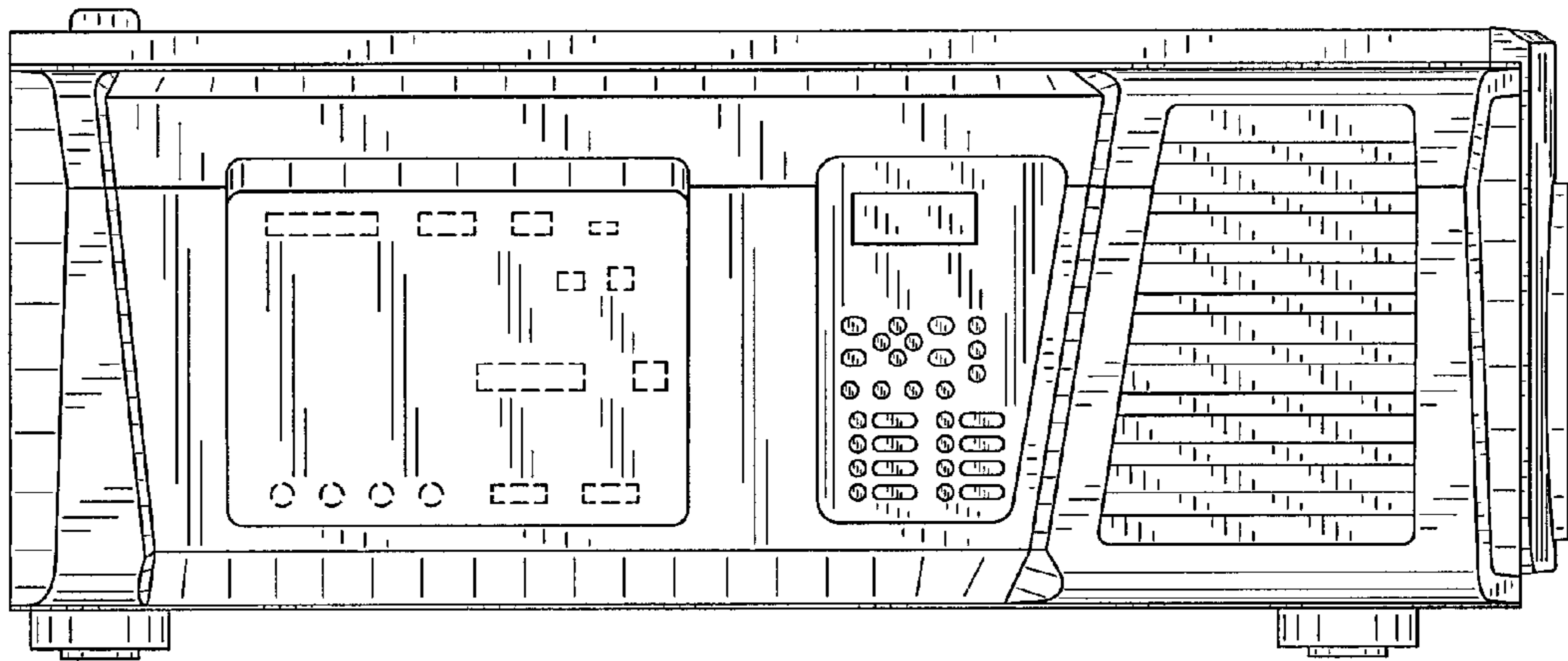


FIG. 4

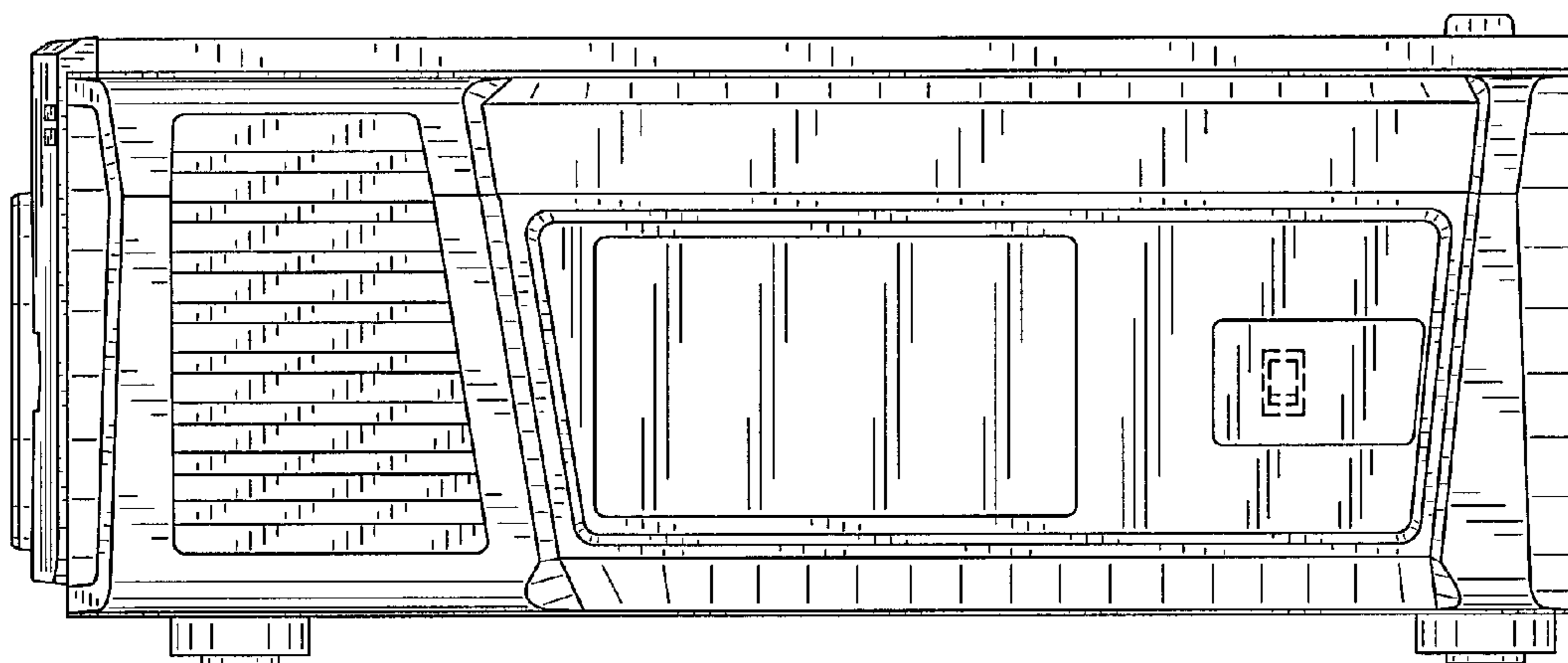


FIG. 5

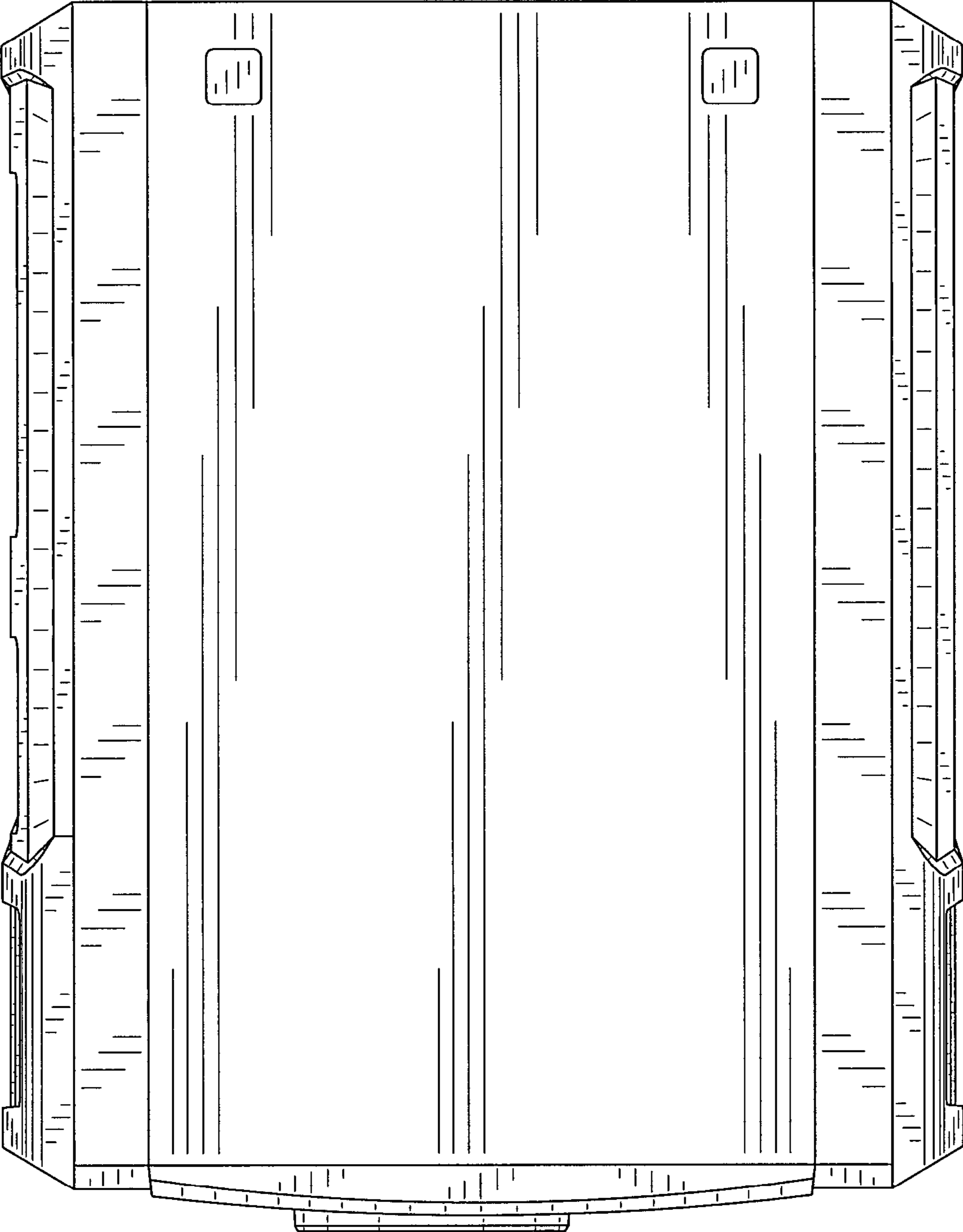


FIG. 6

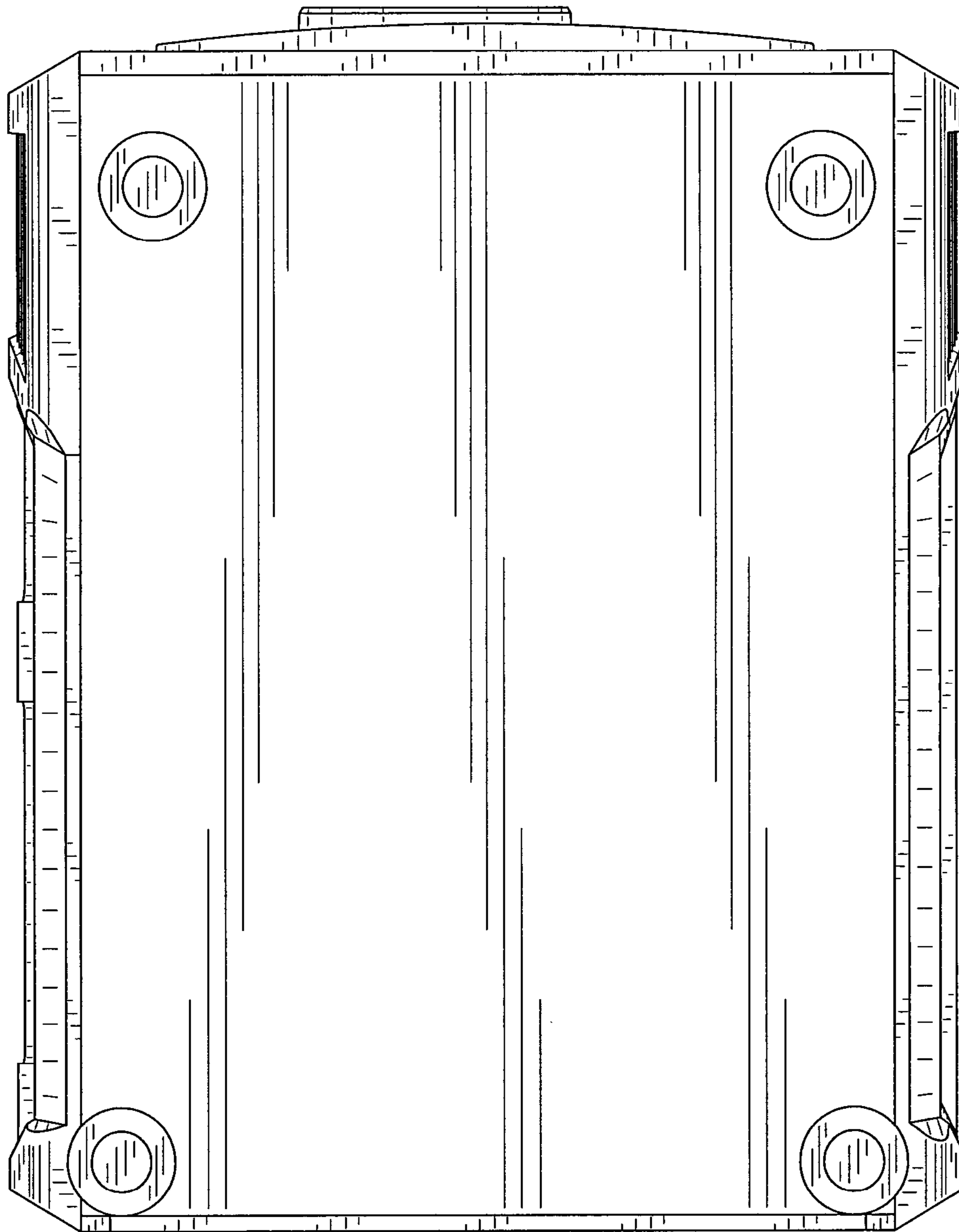


FIG. 7

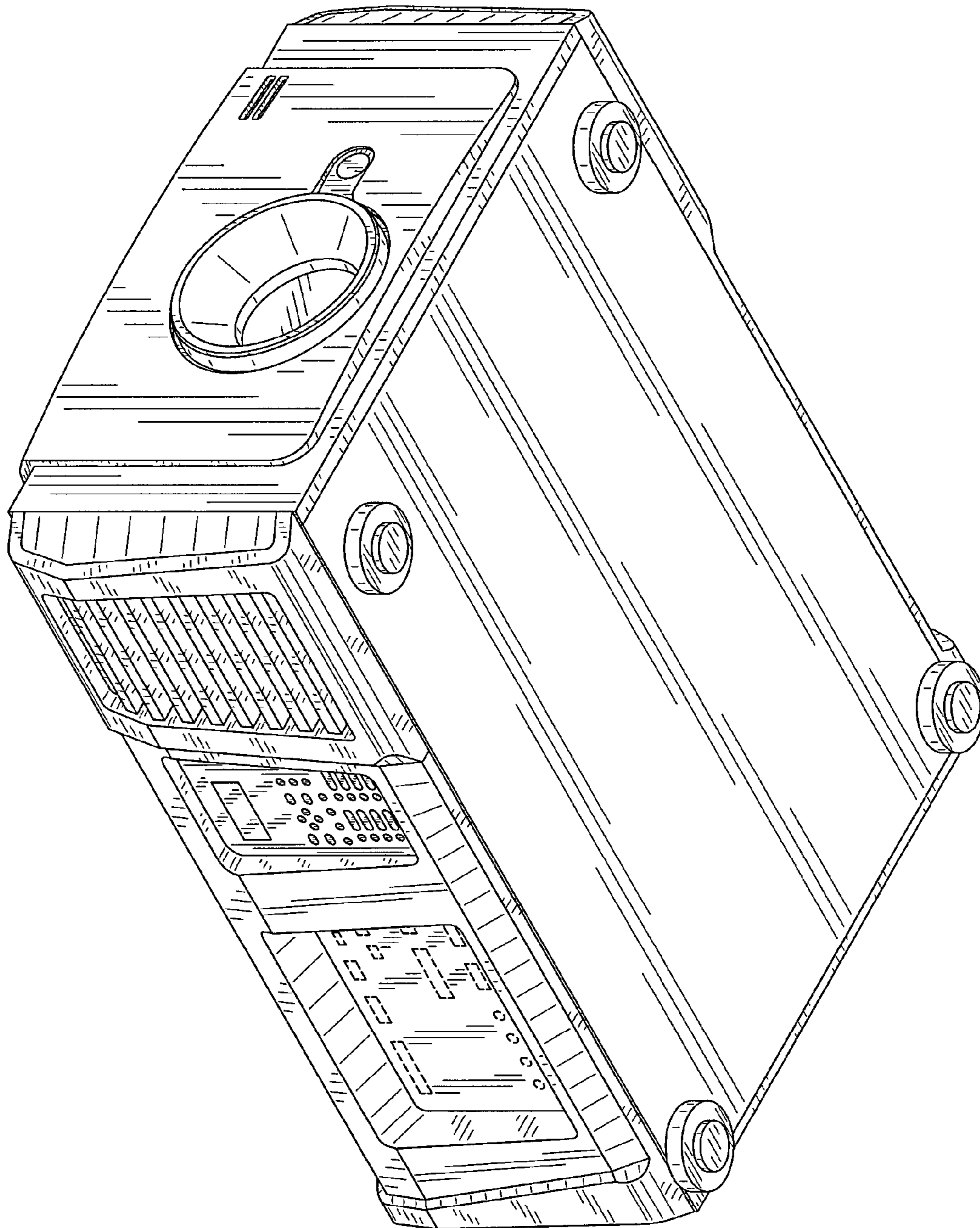


FIG. 8

UNITED STATES PATENT AND TRADEMARK OFFICE  
**CERTIFICATE OF CORRECTION**

PATENT NO. : D690,759 S  
APPLICATION NO. : 29/434280  
DATED : October 1, 2013  
INVENTOR(S) : Moriya et al.

Page 1 of 1

It is certified that error appears in the above-identified patent and that said Letters Patent is hereby corrected as shown below:

On the title page, please add Item [30] with the Foreign Application Priority Data as: April 13,  
2012 (JP) 2012-008776

Signed and Sealed this  
Thirteenth Day of May, 2014



Michelle K. Lee  
*Deputy Director of the United States Patent and Trademark Office*