



US00D690758S

(12) **United States Design Patent**
Yasutomi et al.

(10) **Patent No.:** **US D690,758 S**
(45) **Date of Patent:** **** Oct. 1, 2013**

(54) **VIDEO CAMERA**

(75) Inventors: **Hiroshi Yasutomi**, Tokyo (JP);
Tomonari Murakami, Tokyo (JP)

(73) Assignee: **Sony Corporation**, Tokyo (JP)

(**) Term: **14 Years**

(21) Appl. No.: **29/371,677**

(22) Filed: **Jun. 29, 2011**

(30) **Foreign Application Priority Data**

Dec. 29, 2010	(JP)	D2010-031572
Dec. 29, 2010	(JP)	D2010-031573
Dec. 29, 2010	(JP)	D2010-031574
Dec. 29, 2010	(JP)	D2010-031576
Dec. 29, 2010	(JP)	D2010-031593
Dec. 29, 2010	(JP)	D2010-031594
Dec. 29, 2010	(JP)	D2010-031596
Dec. 29, 2010	(JP)	D2010-031601
Dec. 29, 2010	(JP)	D2010-031602
Dec. 29, 2010	(JP)	D2010-031603
Dec. 29, 2010	(JP)	D2010-031605
Dec. 29, 2010	(JP)	D2010-031606
Dec. 29, 2010	(JP)	D2010-031608
Dec. 30, 2010	(JP)	D2010-031614

(51) **LOC (9) Cl.** **16-05**

(52) **U.S. Cl.**
USPC **D16/219**

(58) **Field of Classification Search**
USPC D16/200, 202, 204, 208, 212, 218,
D16/219; 348/373, 374, 375, 376; 358/909.1;
396/349, 448, 535, 536, 537, 538, 539, 540,
396/541

See application file for complete search history.

(56) **References Cited**

U.S. PATENT DOCUMENTS

D339,599	S	*	9/1993	Tiffen	D16/219
D524,841	S		7/2006	Ikenaga		
D528,579	S	*	9/2006	Yasutomi	D16/202
D534,195	S		12/2006	Ikenaga		
D566,153	S	*	4/2008	Katsuraku	D16/218
D589,073	S	*	3/2009	Hibi	D16/218
7,507,041	B2	*	3/2009	Ueda et al.	396/423
D608,812	S	*	1/2010	Tainaka	D16/212
D620,965	S		8/2010	Takagi		
D635,607	S	*	4/2011	Takagi	D16/219
D636,008	S	*	4/2011	Yasutomi	D16/219
D644,679	S	*	9/2011	Woodman	D16/219
D648,363	S	*	11/2011	Takagi et al.	D16/219
D652,853	S	*	1/2012	Tsukamoto	D16/202
D654,943	S	*	2/2012	Ogasawara et al.	D16/219

FOREIGN PATENT DOCUMENTS

JP	D1401650	S	11/2001
JP	D1389682	S	6/2010
JP	D1390257	S	6/2010
JP	D1401651	S	11/2010

* cited by examiner

Primary Examiner — Cynthia Underwood
(74) *Attorney, Agent, or Firm* — Rader, Fishman & Grauer PLLC

(57) **CLAIM**
The ornamental design for a video camera, as shown and described.

DESCRIPTION

FIG. 1 is a perspective view of a video camera showing my new design; and
FIG. 2 is a front elevational view thereof.
FIG. 3 is a perspective view of a second embodiment of a video camera showing my new design; and,
FIG. 4 is a front elevational view thereof.
Portions in broken lines are for illustrative purposes only and form no part of the claimed design. Dot-dash broken lines define the boundaries of, but not included in, the claimed design.

1 Claim, 4 Drawing Sheets

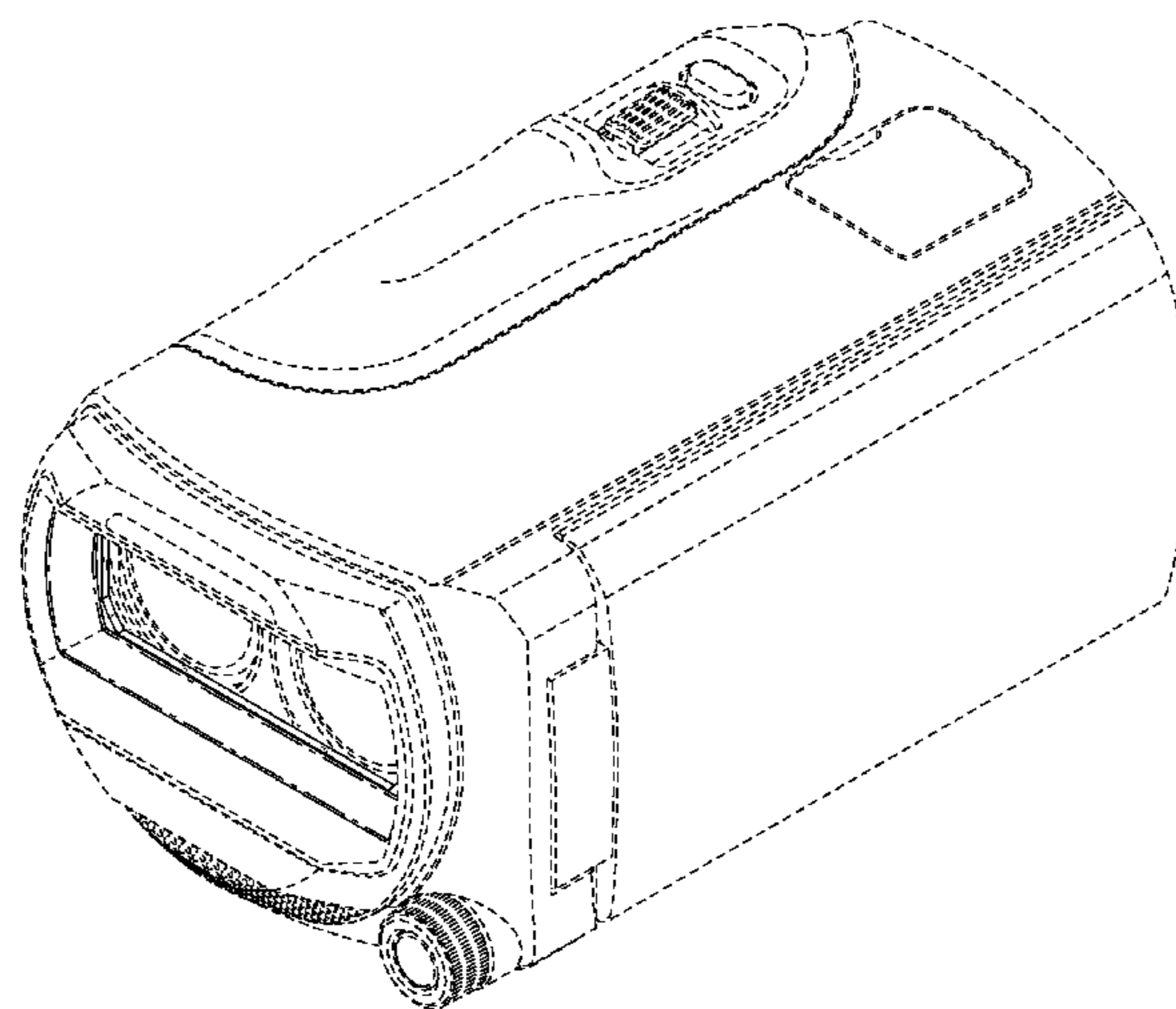


FIG.1

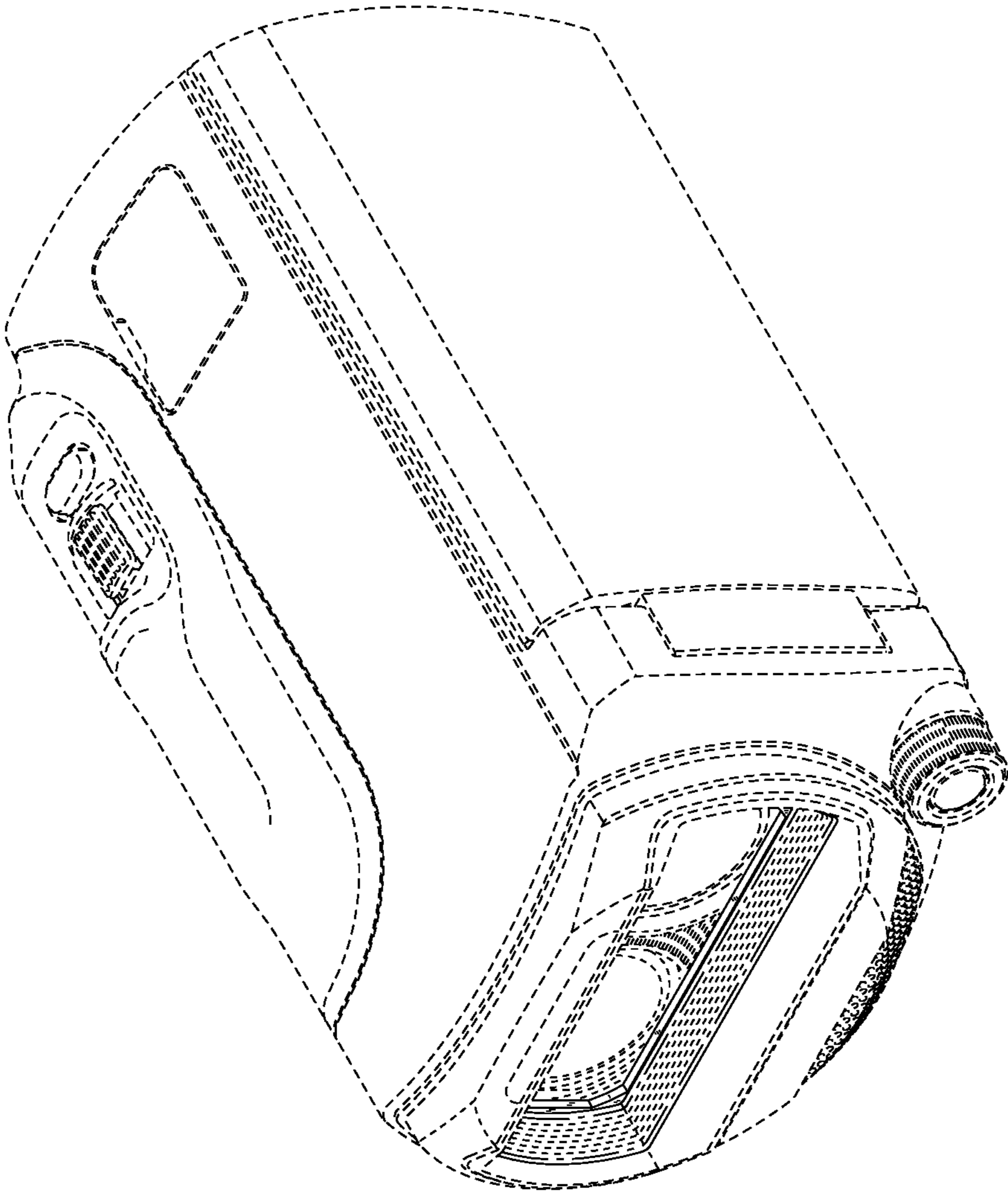


FIG. 2

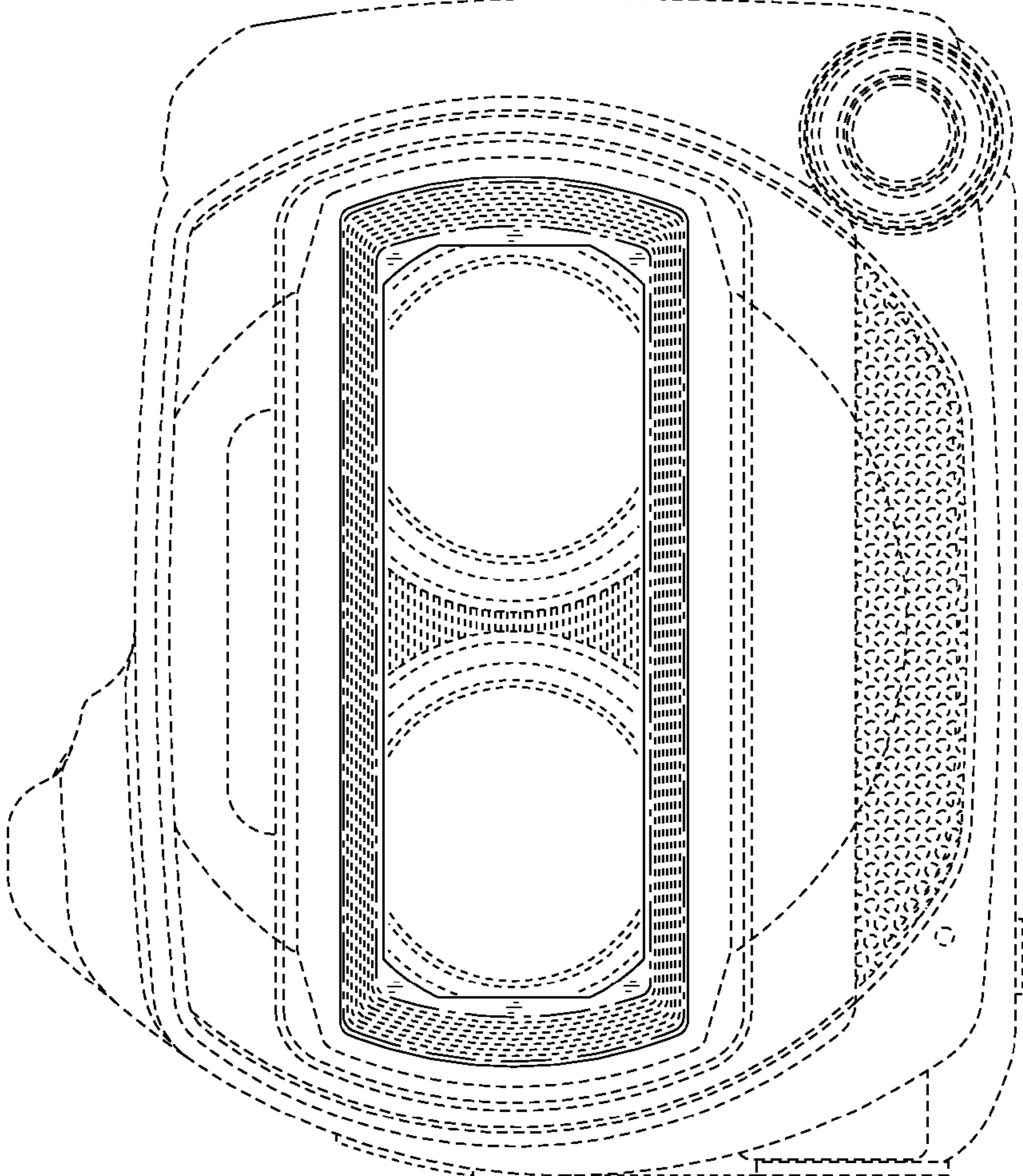


FIG.3

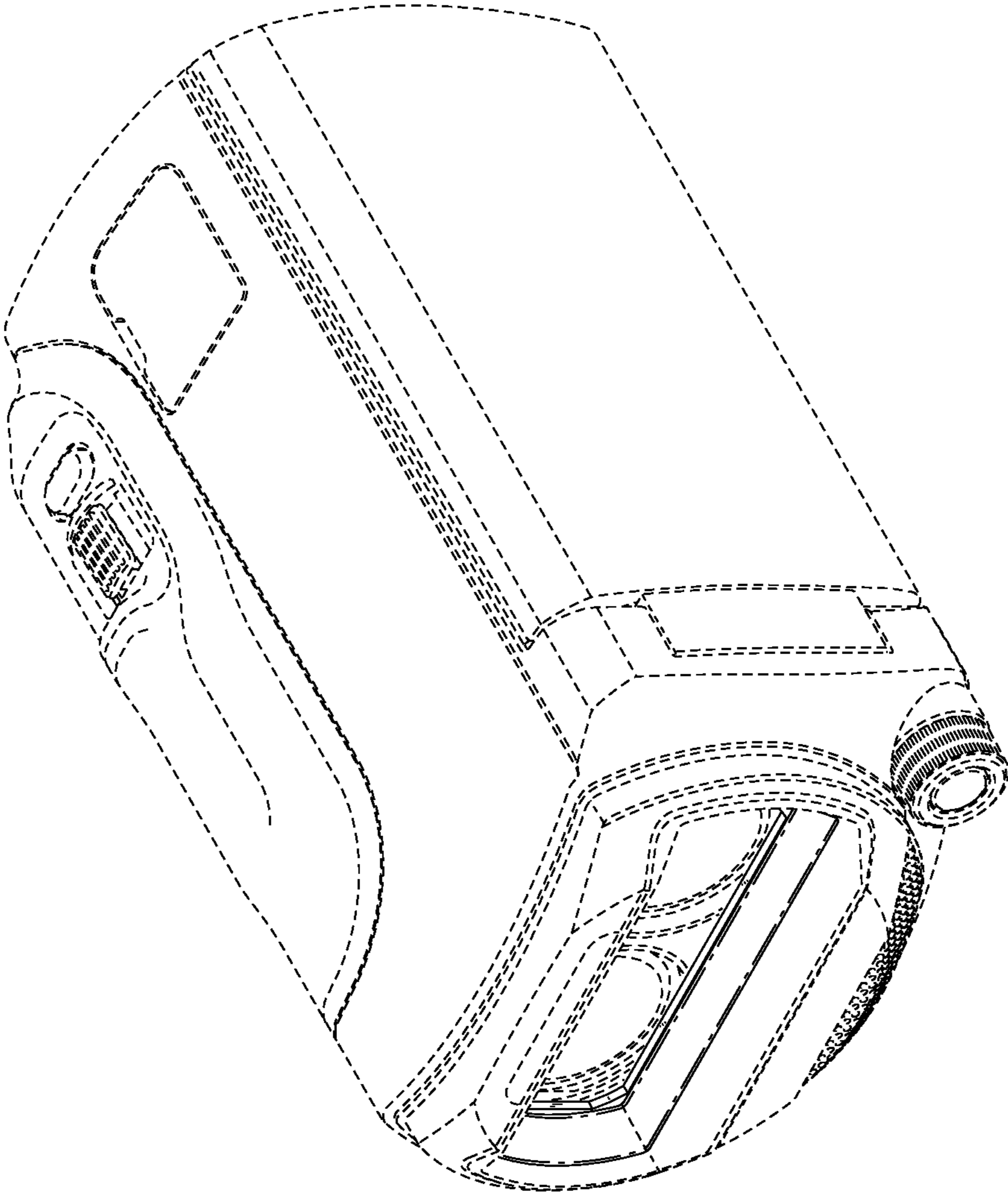


FIG.4

