



US00D690753S

(12) **United States Design Patent**
Liu et al.

(10) **Patent No.:** **US D690,753 S**

(45) **Date of Patent:** **** Oct. 1, 2013**

(54) **ROBOT**

(71) Applicant: **Hon Hai Precision Industry Co., Ltd.**,
New Taipei (TW)

(72) Inventors: **Zhen-Xing Liu**, Shenzhen (CN);
Xiao-Ming Xu, Shenzhen (CN)

(73) Assignee: **Hon Hai Precision Industry Co., Ltd.**,
New Taipei (TW)

(**) Term: **14 Years**

(21) Appl. No.: **29/439,310**

(22) Filed: **Dec. 10, 2012**

(30) **Foreign Application Priority Data**

Nov. 26, 2012 (CN) 2012 3 0576582

(51) **LOC (9) Cl.** **15-99**

(52) **U.S. Cl.**
USPC **D15/199**

(58) **Field of Classification Search**
USPC D15/122, 199; D24/176; D34/35;
74/490.01, 490.02, 490.03, 490.05; 198/370.1,
198/370.04, 722, 771, 782, 866, 890, 890.1;
219/124.34, 639; 318/560; 414/744.1, 935,
414/936, 937, 938, 940
See application file for complete search history.

(56) **References Cited**

U.S. PATENT DOCUMENTS

D300,935 S *	5/1989	Maddock et al.	D15/199
D334,581 S *	4/1993	Yoshikawa et al.	D15/199
D344,279 S *	2/1994	Koyama et al.	D15/199
D344,280 S *	2/1994	Koyama et al.	D15/199
D440,241 S *	4/2001	Kawahara et al.	D15/199
D444,488 S *	7/2001	Selic et al.	D15/199
D613,781 S *	4/2010	Liu et al.	D15/199

D615,574 S *	5/2010	Liu et al.	D15/199
D616,477 S *	5/2010	Long et al.	D15/199
D616,909 S *	6/2010	Long	D15/199
D624,104 S *	9/2010	Miyake et al.	D15/199
D629,030 S *	12/2010	Long et al.	D15/199
D638,044 S *	5/2011	Ikoma et al.	D15/199
D638,455 S *	5/2011	Long	D15/199
D650,820 S *	12/2011	Long	D15/199
D651,627 S *	1/2012	Long	D15/199
D670,319 S *	11/2012	Liu et al.	D15/199
2005/0092122 A1 *	5/2005	Markert et al.	74/490.01
2005/0204850 A1 *	9/2005	Nihei et al.	74/490.01
2011/0303042 A1 *	12/2011	Pan et al.	74/490.05

* cited by examiner

Primary Examiner — Patricia Palasik

(74) *Attorney, Agent, or Firm* — Altis Law Group, Inc.

(57) **CLAIM**

The ornamental design for a robot, as shown and described.

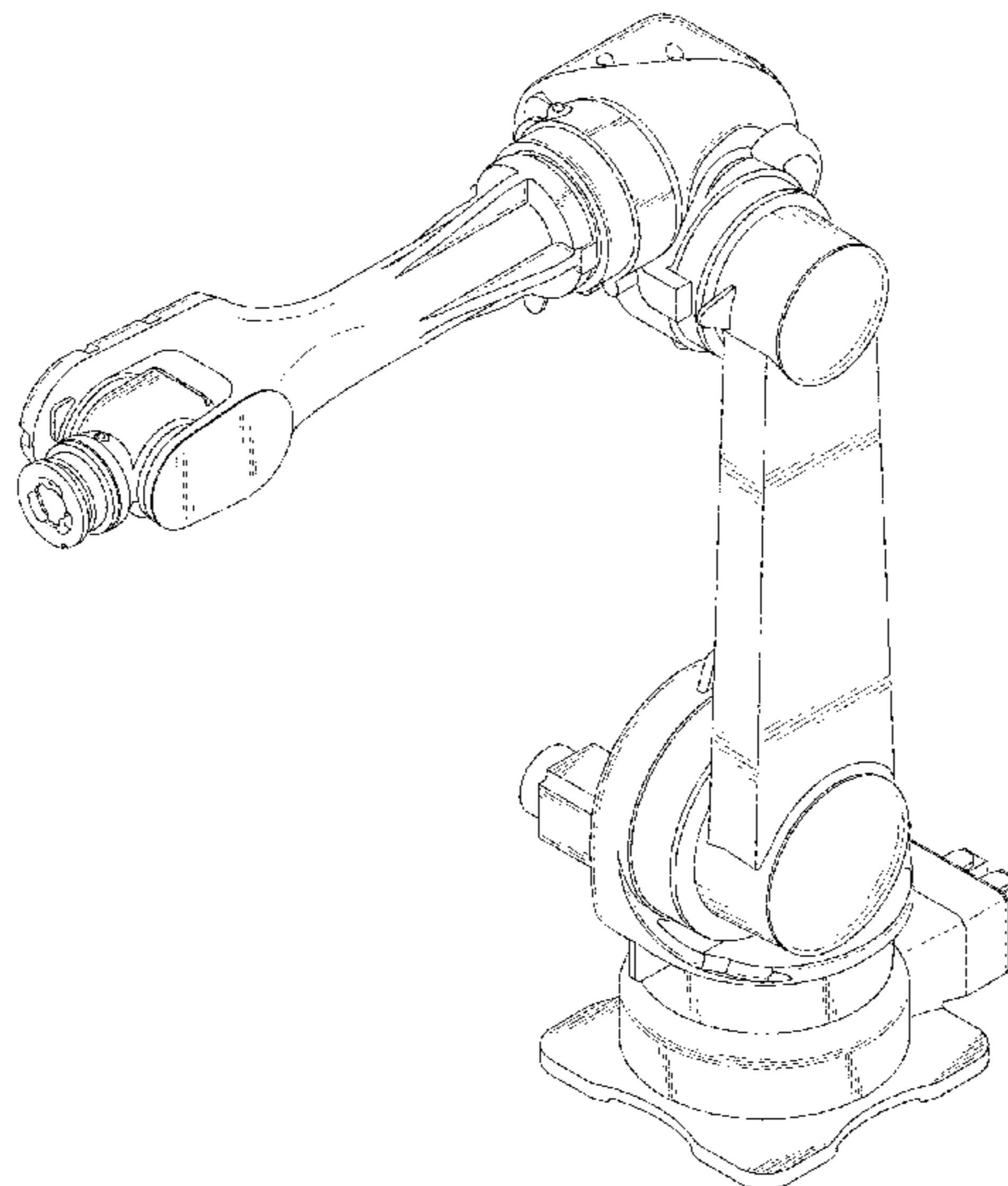
DESCRIPTION

This application incorporates by reference application no. 201230576582.X filed in China on Nov. 26, 2012. All the material from the application no. 201230576582.X filed in China on Nov. 26, 2012 which is essential to the claimed design is included in this application. It is understood that any material in the application no. 201230576582.X filed in China on Nov. 26, 2012 which is not present in this application forms no part of the claimed design.

FIG. 1 is a perspective view of a robot showing our design; FIG. 2 is a front elevational view thereof; FIG. 3 is a rear elevational view thereof; FIG. 4 is a left-side elevational view thereof; FIG. 5 is a right-side elevational view thereof; FIG. 6 is a top plan view thereof; and, FIG. 7 is a bottom plan view thereof.

The broken lines are for illustrative purposes only and form no part of the claimed design.

1 Claim, 7 Drawing Sheets



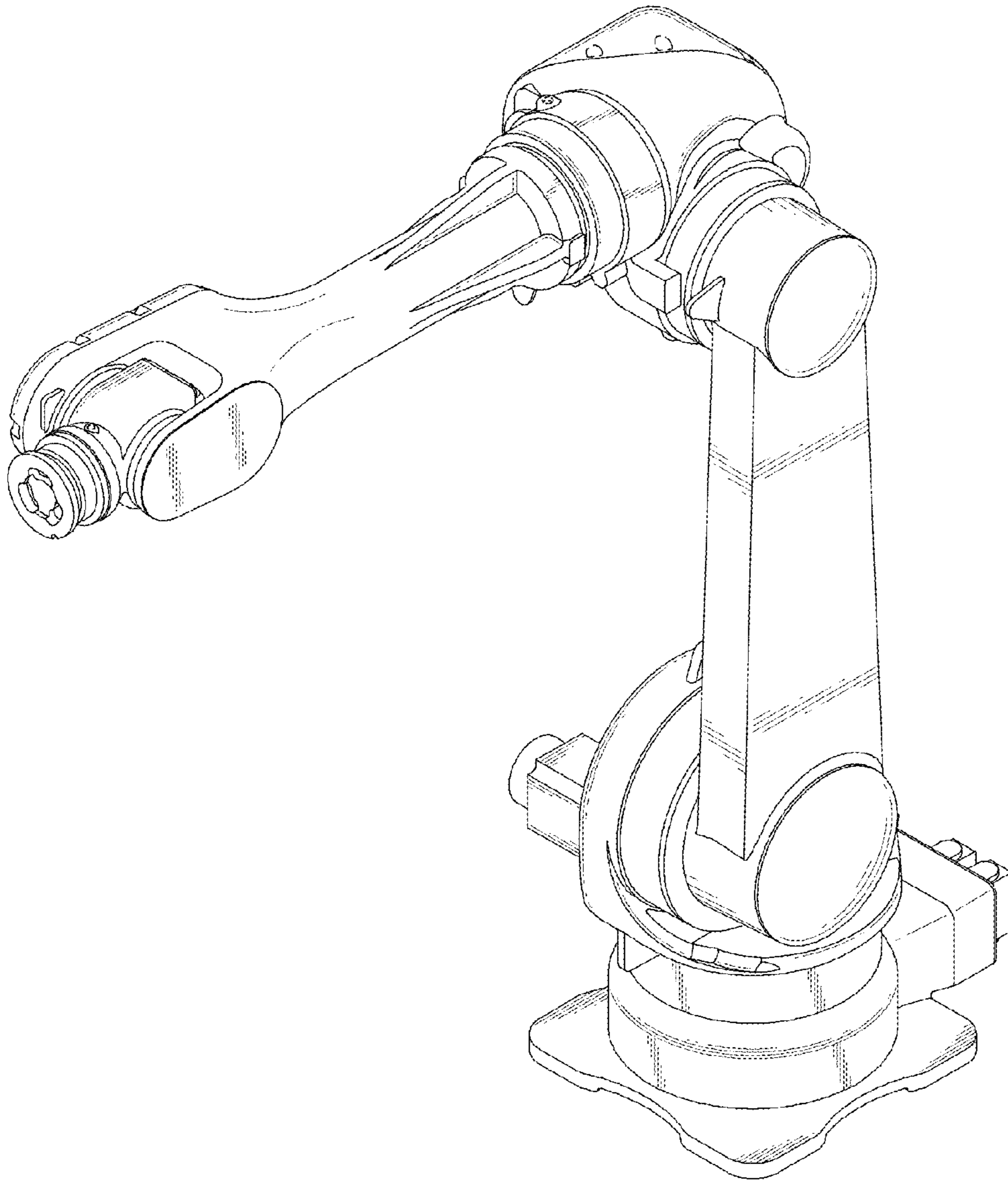


FIG. 1

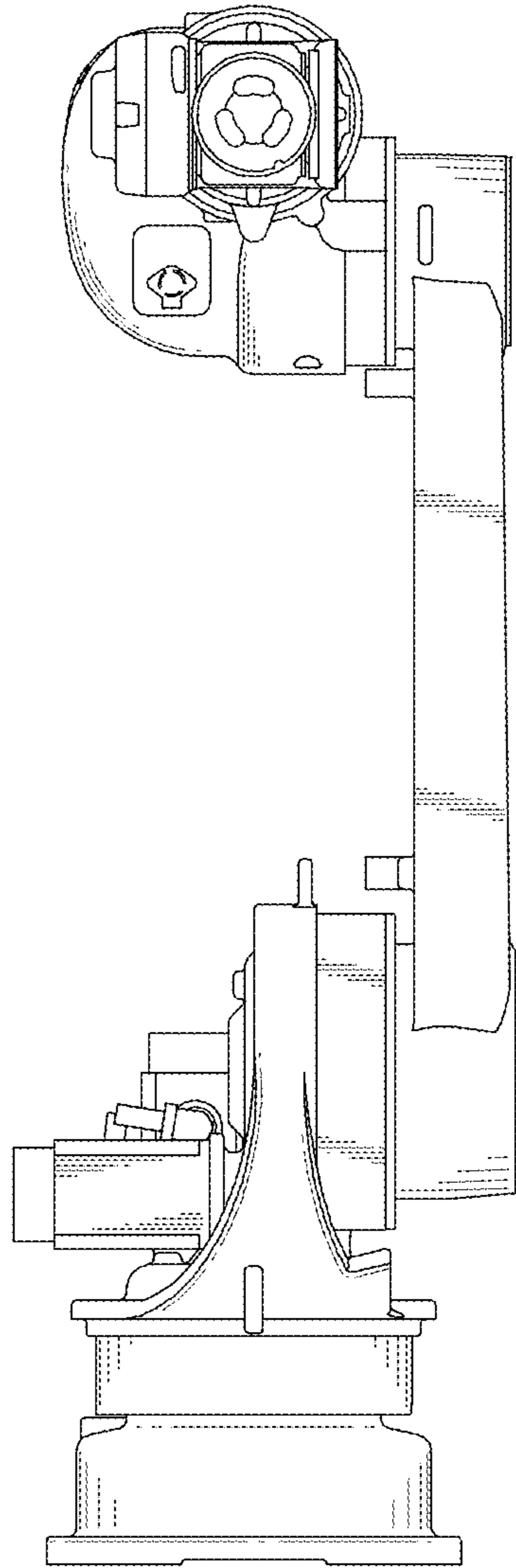


FIG. 2

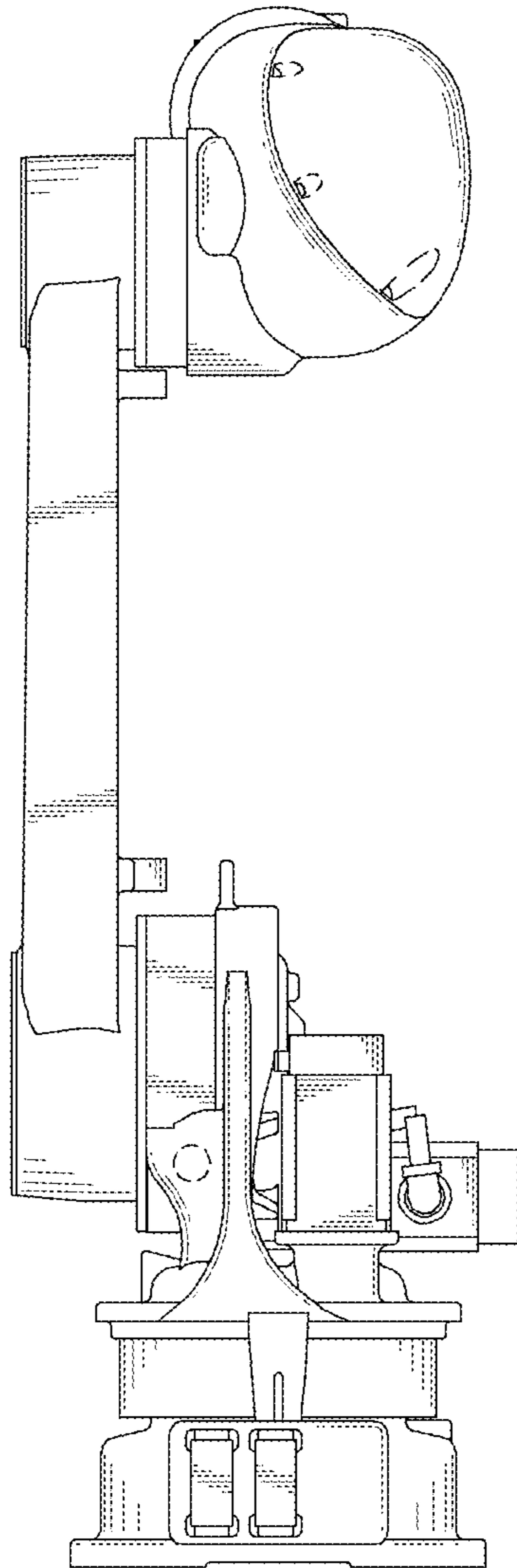


FIG. 3

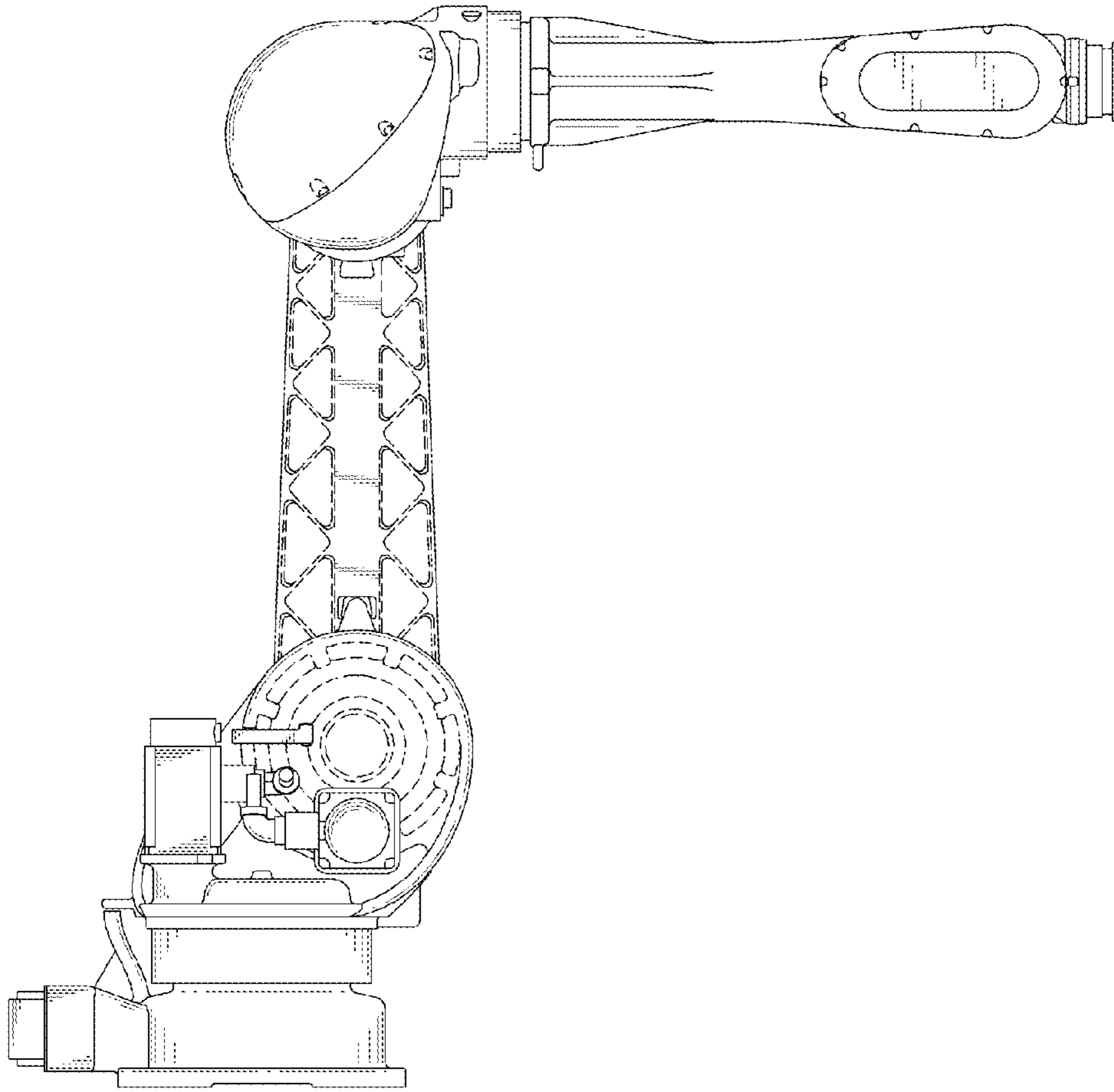


FIG. 4

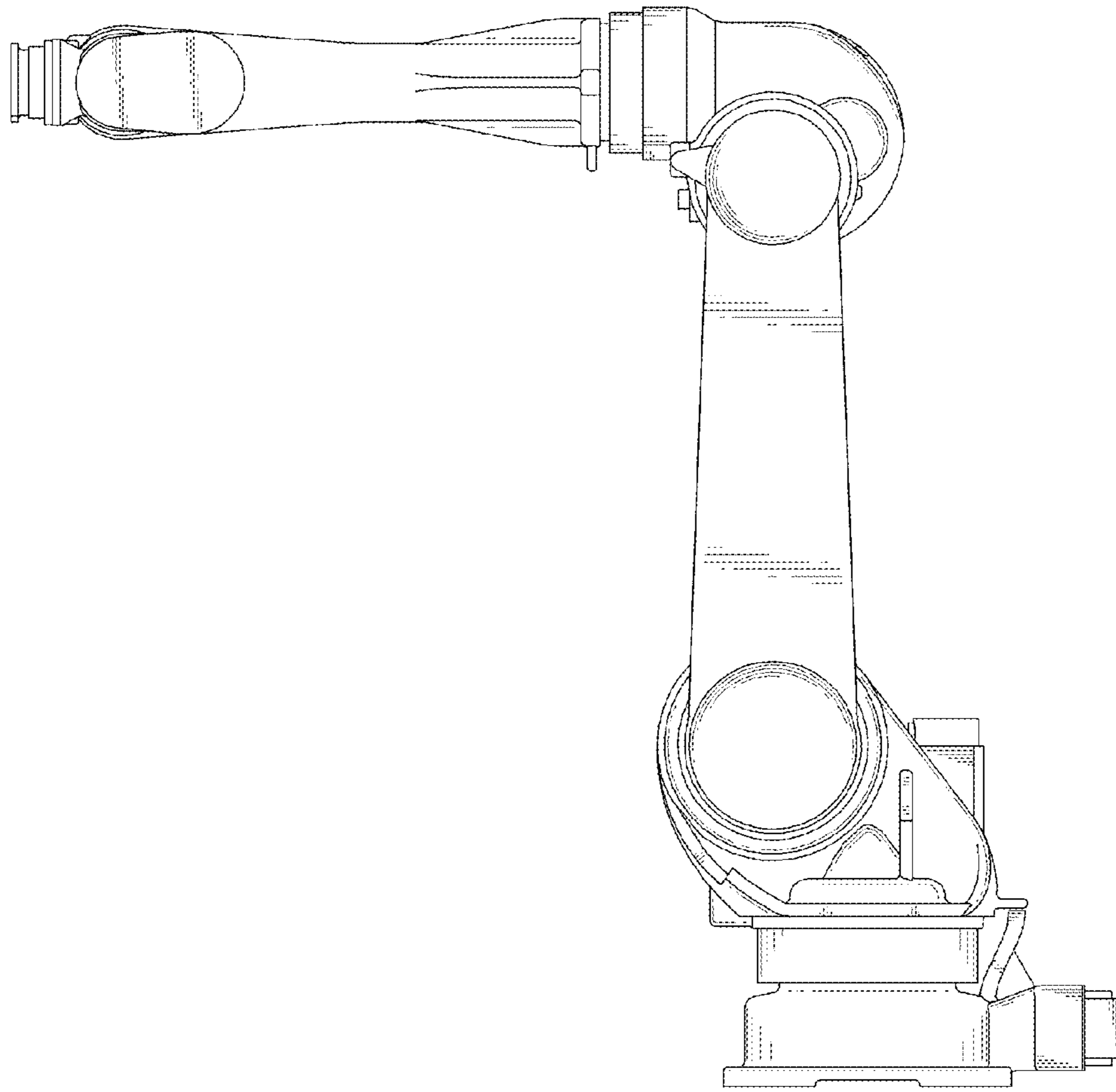


FIG. 5

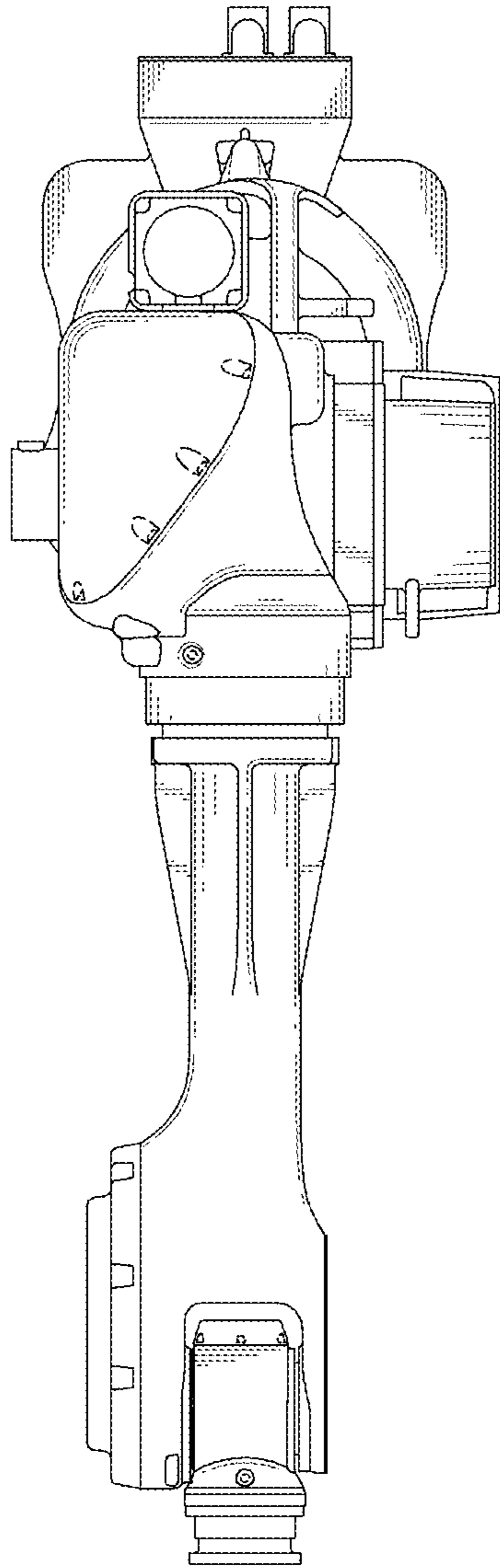


FIG. 6

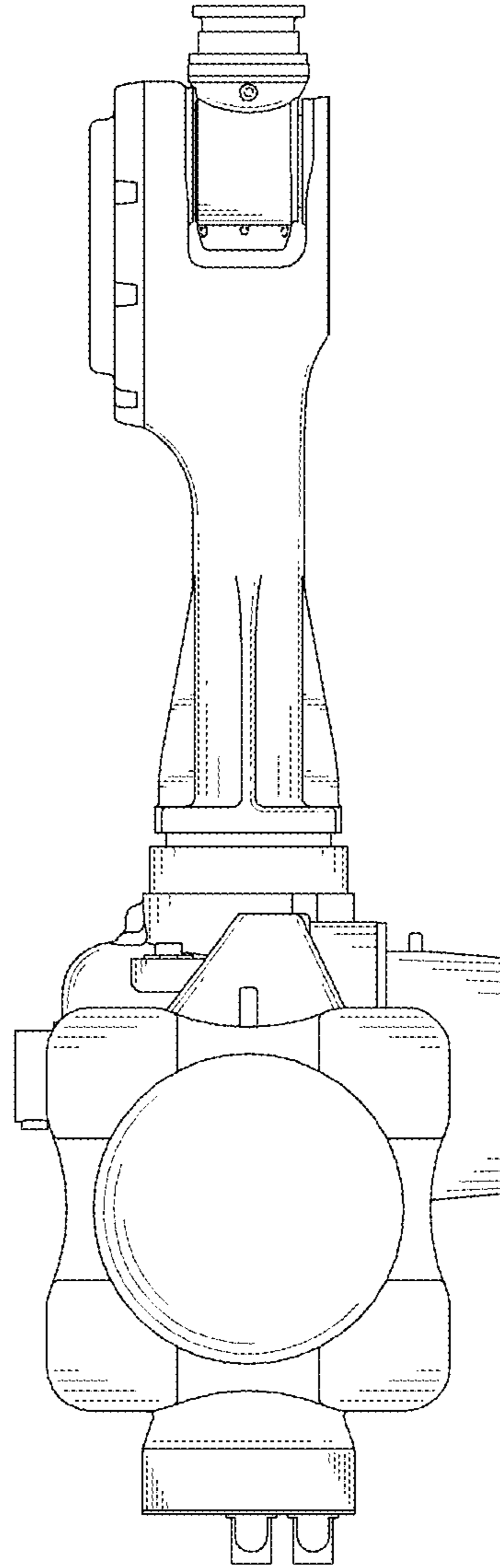


FIG. 7