



US00D690751S

(12) **United States Design Patent**
Kehoe et al.

(10) **Patent No.:** **US D690,751 S**
(45) **Date of Patent:** **** Oct. 1, 2013**

(54) **SUBMERSIBLE MIXER**
(71) Applicant: **Sulzer Pumpen AG**, Winterthur (CH)
(72) Inventors: **Mark Kehoe**, Crossabeg (IE); **Andrejas Vukovic**, Much (DE)
(73) Assignee: **Sulzer Pumpen AG**, Winterthur (CH)
(**) Term: **14 Years**
(21) Appl. No.: **29/449,274**
(22) Filed: **Mar. 14, 2013**

(30) **Foreign Application Priority Data**
Sep. 14, 2012 (CH) 139236
(51) **LOC (9) Cl.** **15-99**
(52) **U.S. Cl.**
USPC **D15/147**
(58) **Field of Classification Search**
USPC D7/376-379; D15/122, 147; D23/207;
216/87; 366/264, 265, 241; 416/62
See application file for complete search history.

(56) **References Cited**
U.S. PATENT DOCUMENTS
D282,370 S * 1/1986 Ogren D15/147
D282,371 S * 1/1986 Johansson D15/147

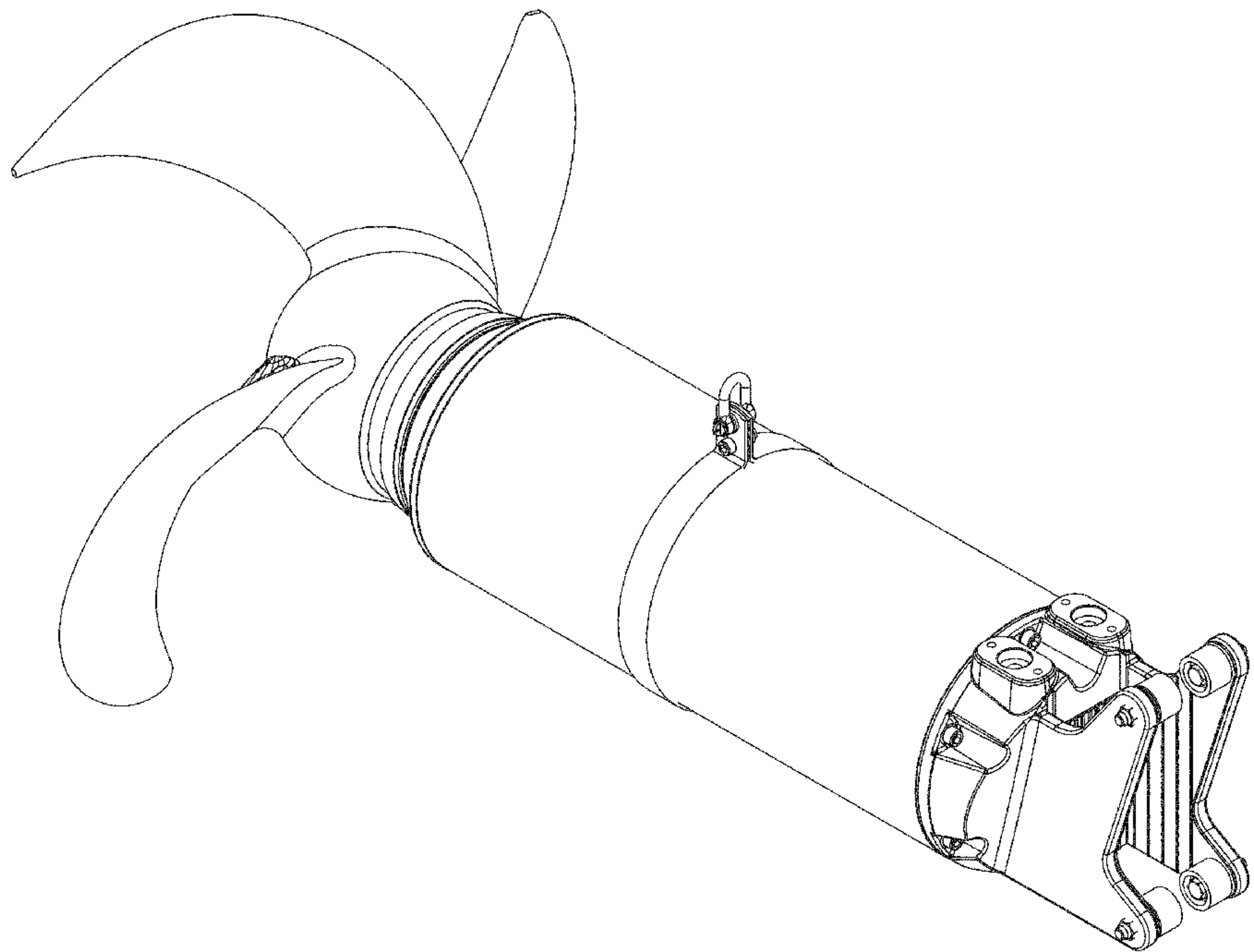
4,581,182 A * 4/1986 Cramer et al. 261/93
D291,911 S * 9/1987 Fries D23/207
D306,033 S * 2/1990 Fries et al. D15/147
5,192,047 A * 3/1993 Lisi et al. 248/676
D341,608 S * 11/1993 Fries D15/147
D421,616 S * 3/2000 Shimizu D15/147
D432,621 S * 10/2000 Etschel et al. D23/200
D604,101 S * 11/2009 Sands D7/412

* cited by examiner
Primary Examiner — Patricia Palasik
(74) *Attorney, Agent, or Firm* — Kilpatrick Townsend & Stockton LLP

(57) **CLAIM**
The ornamental design for a submersible mixer, as shown and described.

DESCRIPTION
FIG. 1 is a rear view of the submersible mixer showing our new design;
FIG. 2 is a right side elevational view thereof;
FIG. 3 is a rear perspective view thereof;
FIG. 4 is a top view thereof;
FIG. 5 is a front view thereof;
FIG. 6 is a front perspective view thereof; and,
FIG. 7 is a left side elevational view thereof.
The broken lines in the drawings depict unclaimed environmental subject matter.

1 Claim, 7 Drawing Sheets



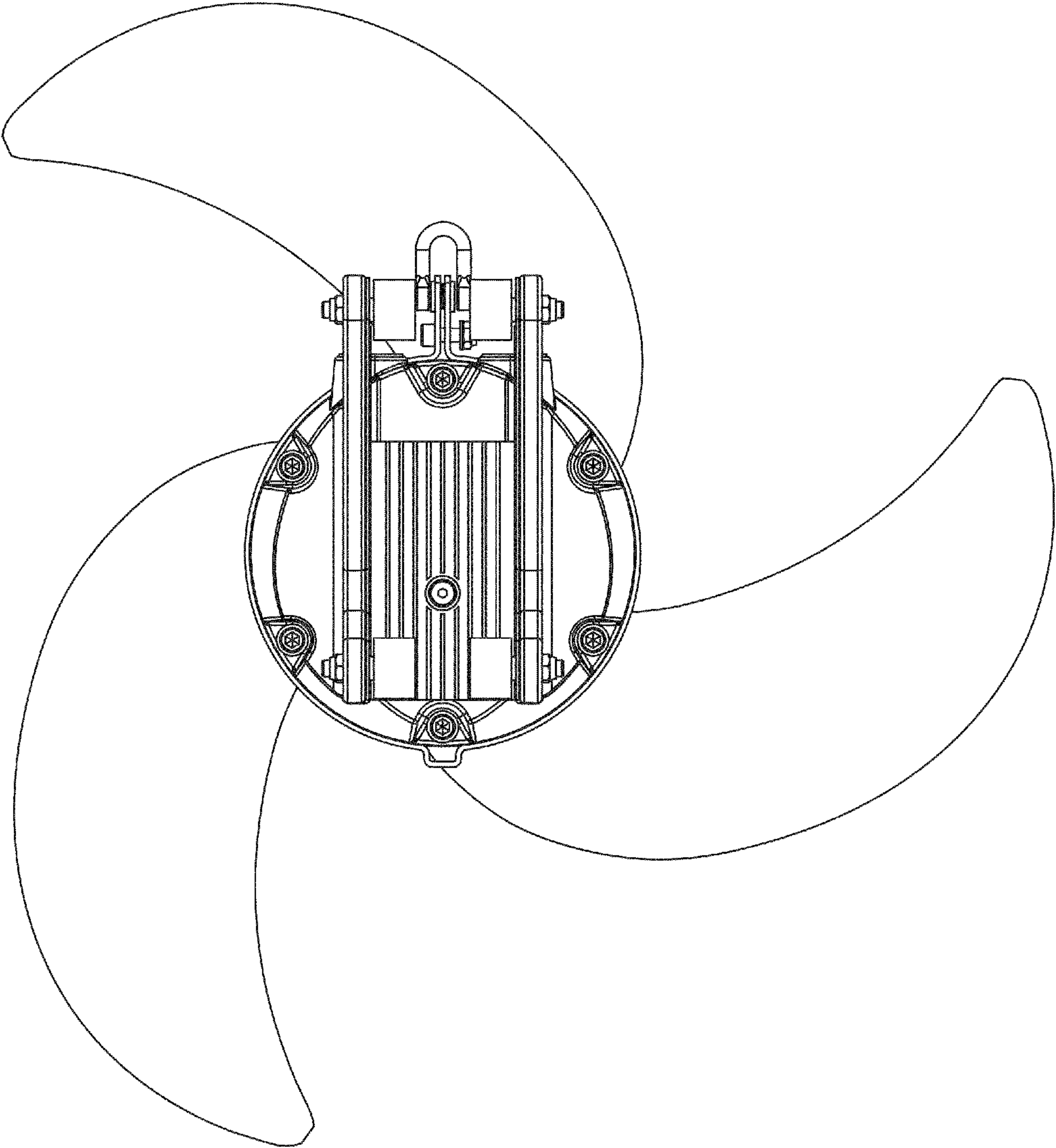


FIG. 1

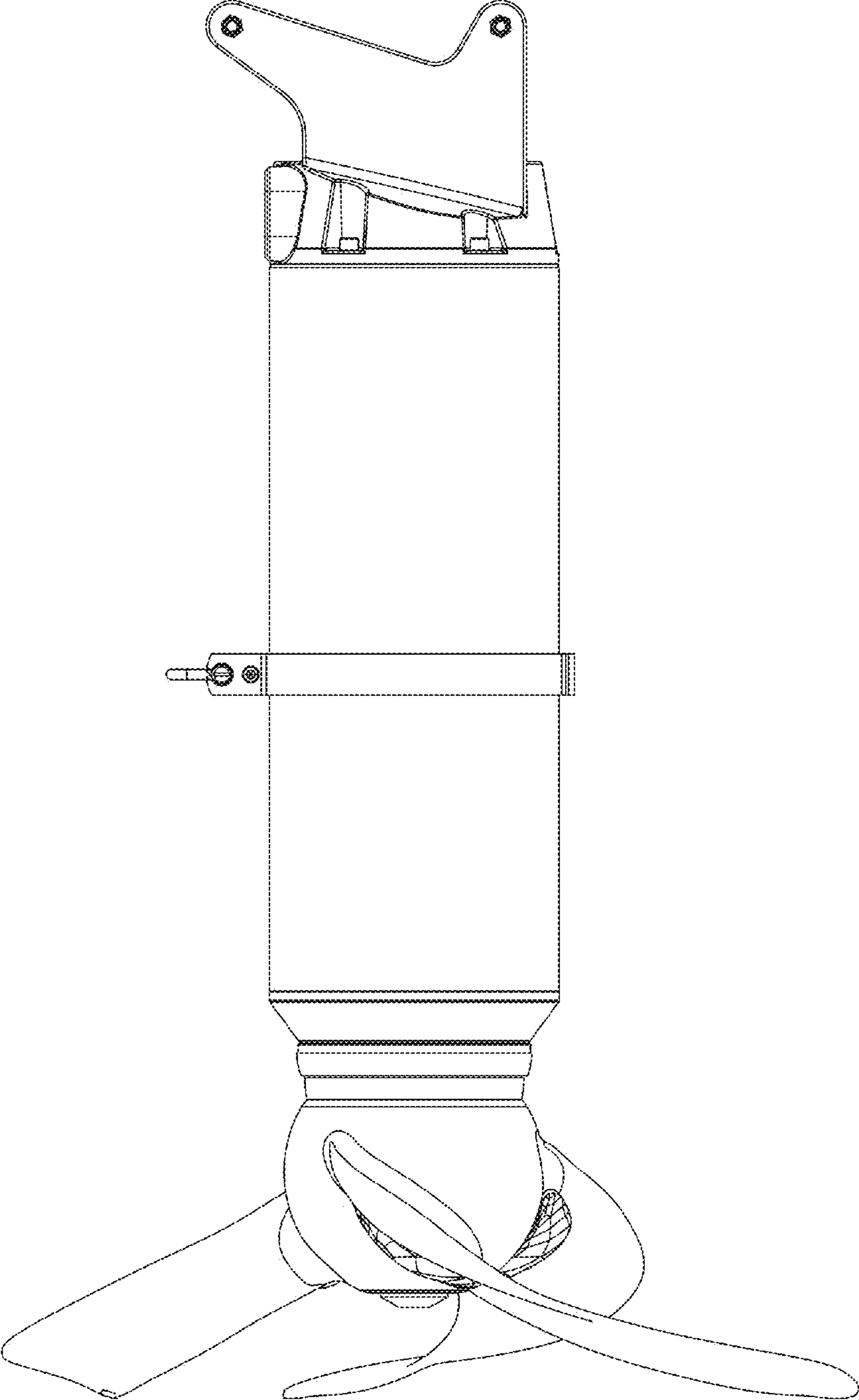


FIG. 2

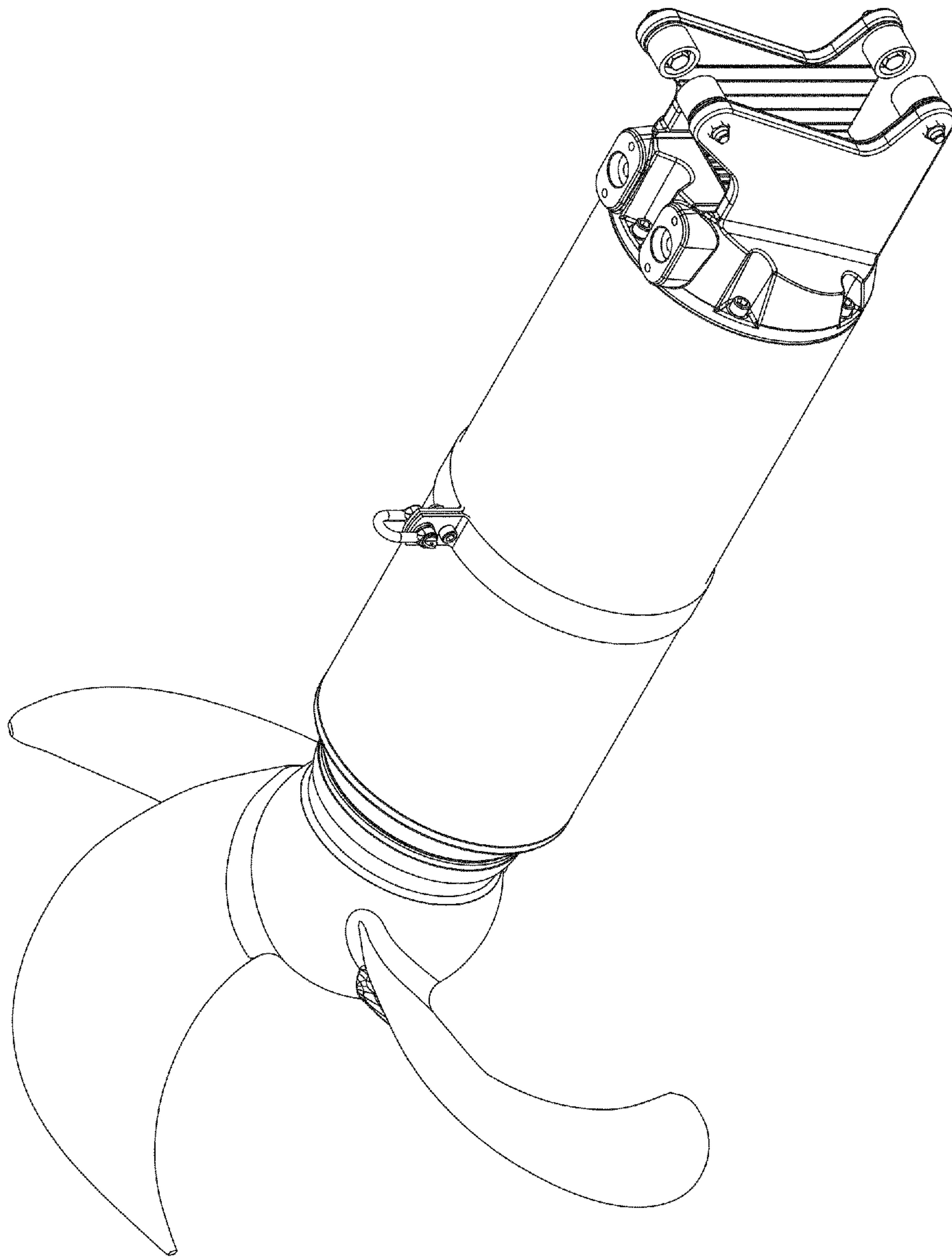


FIG. 3

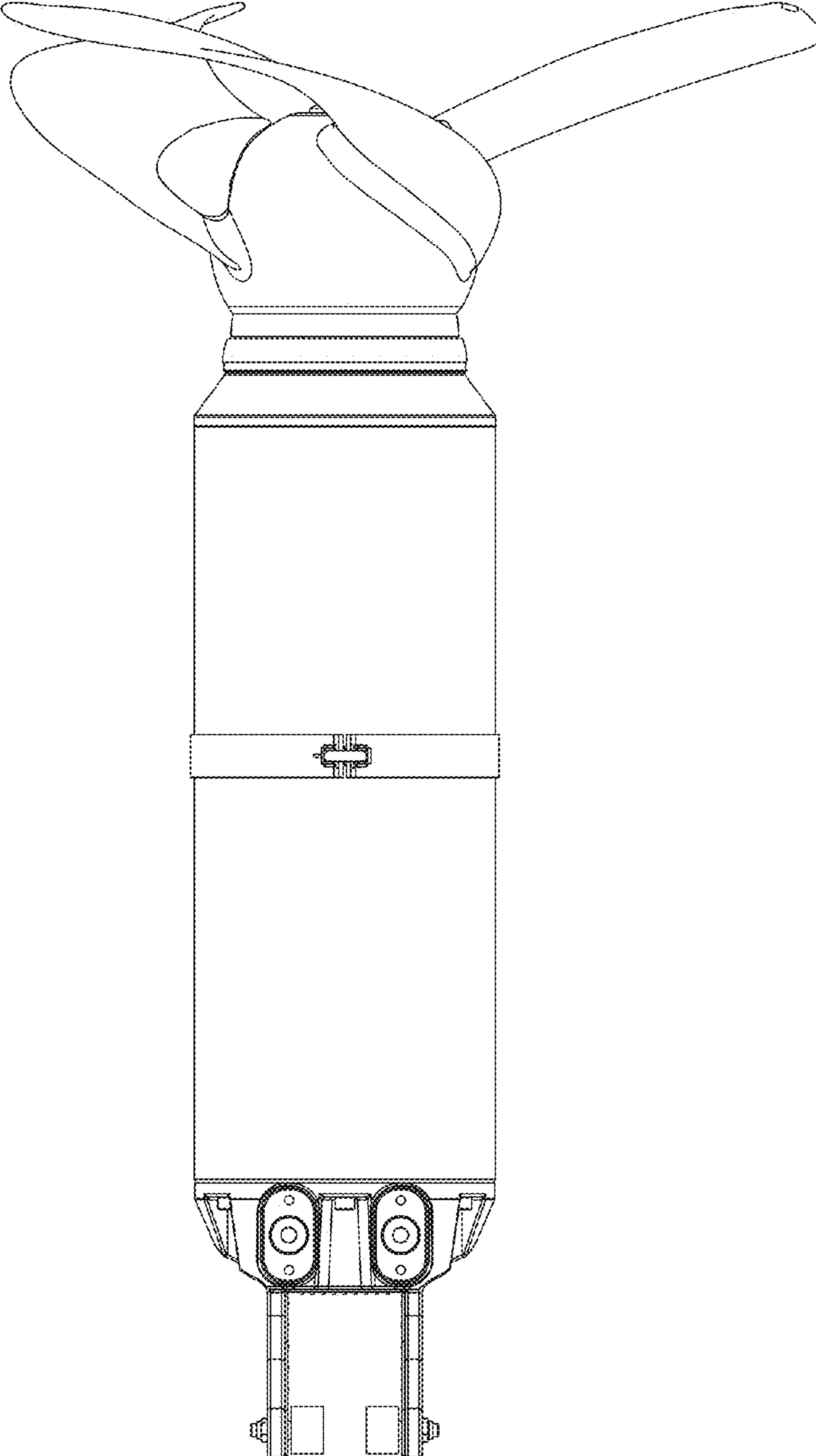


FIG. 4

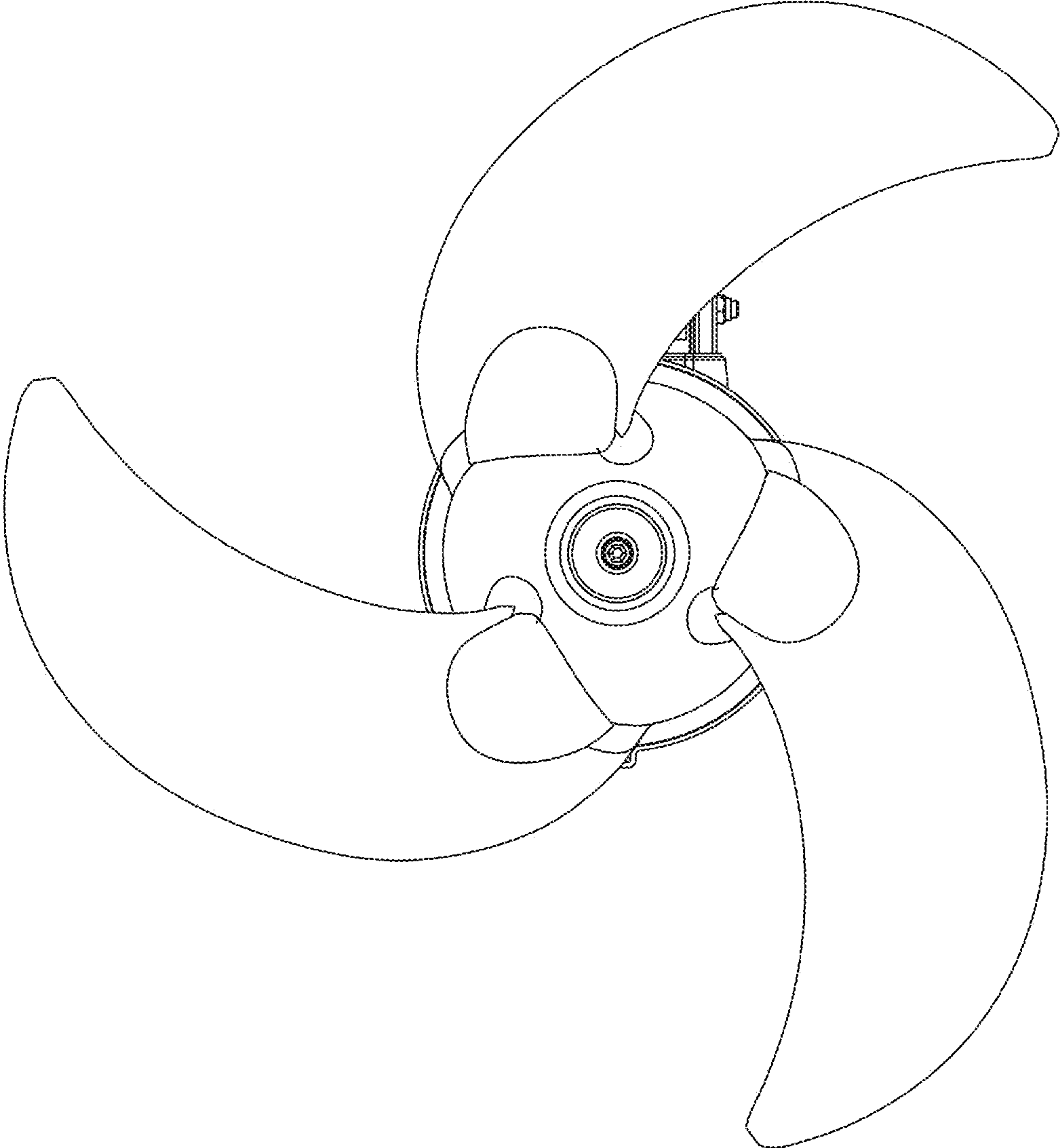


FIG. 5

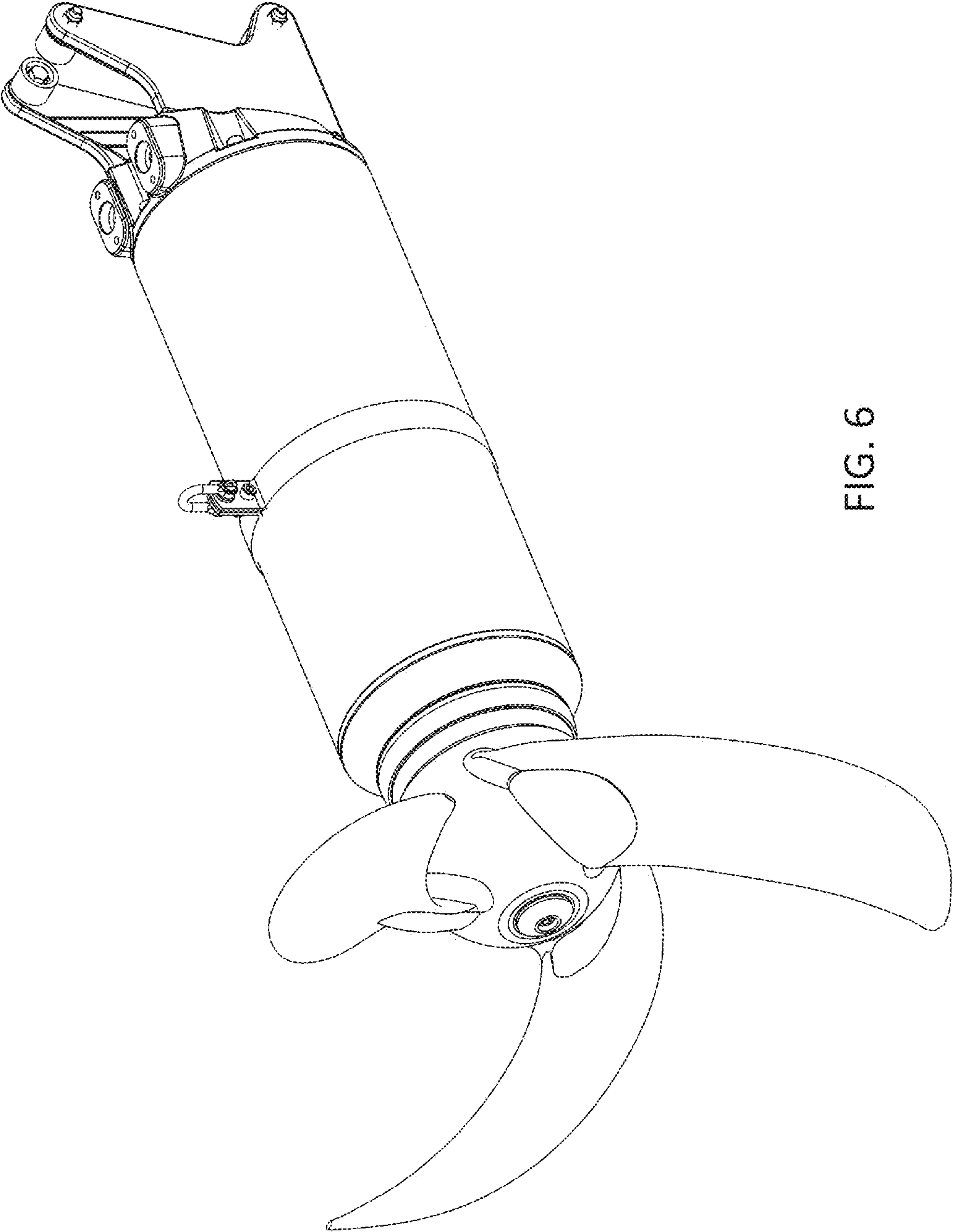


FIG. 6

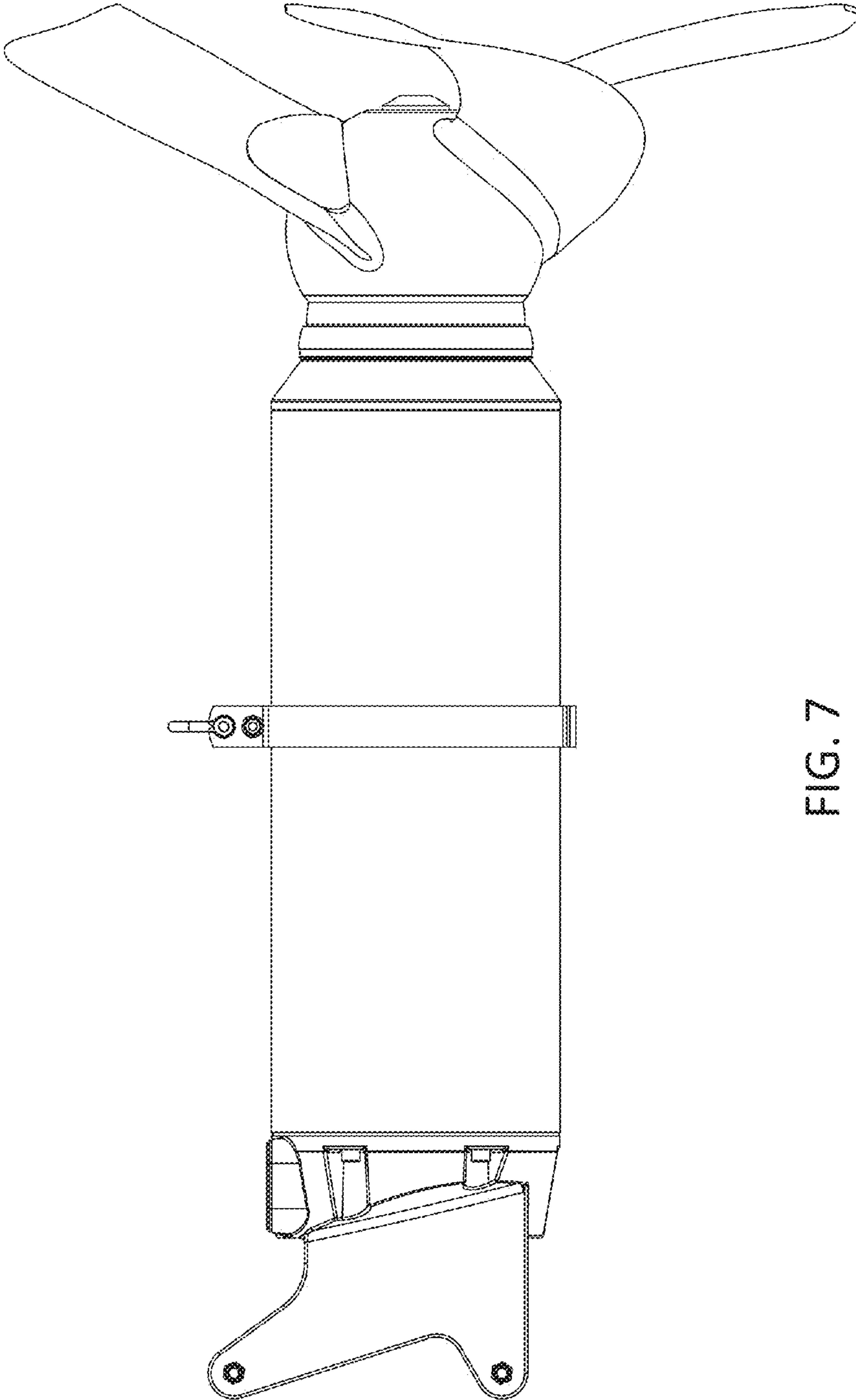


FIG. 7