



US00D690749S

(12) **United States Design Patent**
Green et al.

(10) **Patent No.:** **US D690,749 S**

(45) **Date of Patent:** **** Oct. 1, 2013**

(54) **SORTING DISK**

(75) Inventors: **John F. Green**, Baldwinsville, NY (US);
Peter Mendre, Haverhill, MA (US);
Thomas M. Taylor, Lisle, NY (US)

(73) Assignee: **JJG IP Holdings, LLC**, Hampstead, NH (US)

(**) Term: **14 Years**

(21) Appl. No.: **29/422,960**

(22) Filed: **May 25, 2012**

Related U.S. Application Data

(63) Continuation of application No. 12/762,430, filed on Apr. 19, 2010, now abandoned.

(51) **LOC (9) Cl.** **15-99**

(52) **U.S. Cl.**
USPC **D15/147**

(58) **Field of Classification Search**
USPC D8/349, 354; D15/147; 209/262,
209/282, 283, 309, 363, 365.1, 659, 660,
209/664, 666, 667, 668, 671, 672, 930; 403/344
See application file for complete search history.

(56) **References Cited**

U.S. PATENT DOCUMENTS

136,105 A * 2/1873 Hamachek 4/351
D369,817 S * 5/1996 Hauch D15/147
6,371,305 B1 4/2002 Austin et al.

6,648,145 B2 11/2003 Davis et al.
7,004,332 B2 2/2006 Davis
7,661,537 B1 2/2010 Sewell
D630,659 S * 1/2011 Dibbs D15/147
D631,900 S * 2/2011 Prochaska et al. D15/147
D680,419 S * 4/2013 Green et al. D8/354
2009/0045032 A1 * 2/2009 Yamagishi et al. 194/344
2010/0264069 A1 * 10/2010 Green et al. 209/262
2011/0108467 A1 * 5/2011 Campbell et al. 209/522
2011/0147281 A1 * 6/2011 Davis 209/671
2011/0303587 A1 * 12/2011 Doppstadt et al. 209/672
2012/0325729 A1 * 12/2012 Cappozzo 209/369

* cited by examiner

Primary Examiner — Patricia Palasik

(74) *Attorney, Agent, or Firm* — Maine Cernota & Rardin

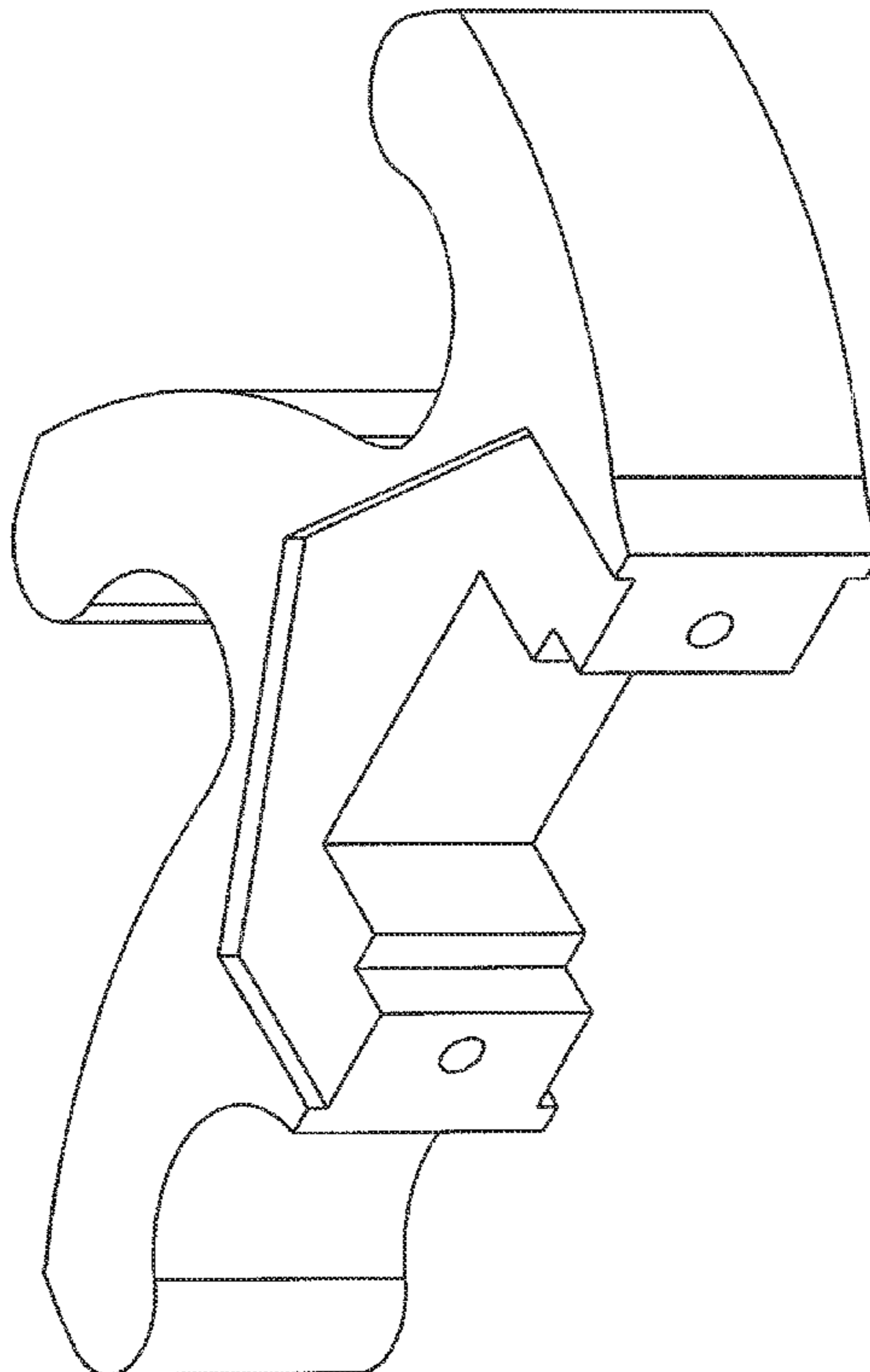
(57) **CLAIM**

The ornamental design for a sorting disk, as shown and described.

DESCRIPTION

FIG. 1 is a perspective view of a sorting disk;
FIG. 2 is a top view thereof;
FIG. 3 is a left side view thereof;
FIG. 4 is a bottom view thereof;
FIG. 5 is a right side view thereof;
FIG. 6 is a front view thereof; and,
FIG. 7 is a back view thereof.

1 Claim, 7 Drawing Sheets



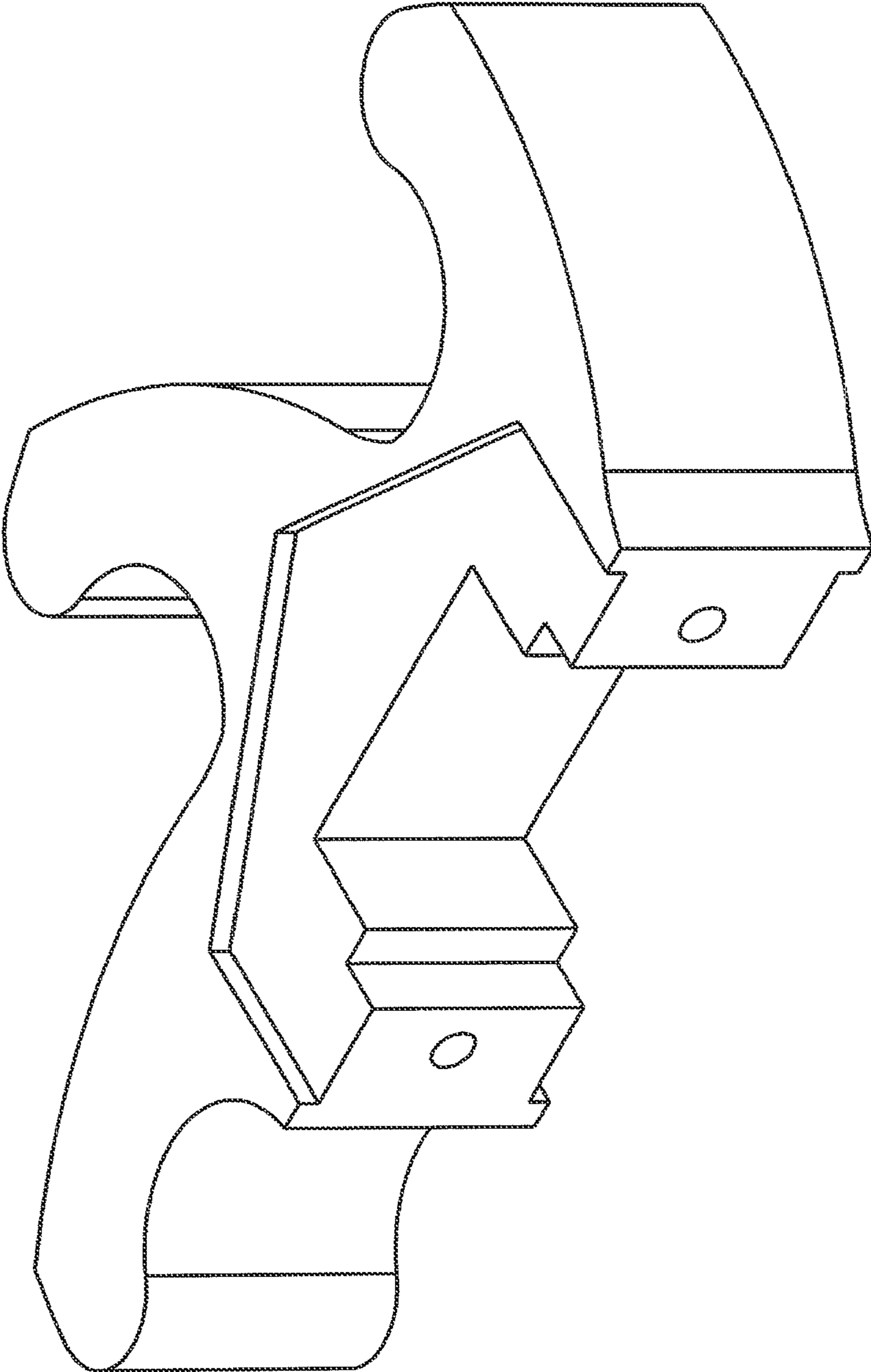


FIG. 1

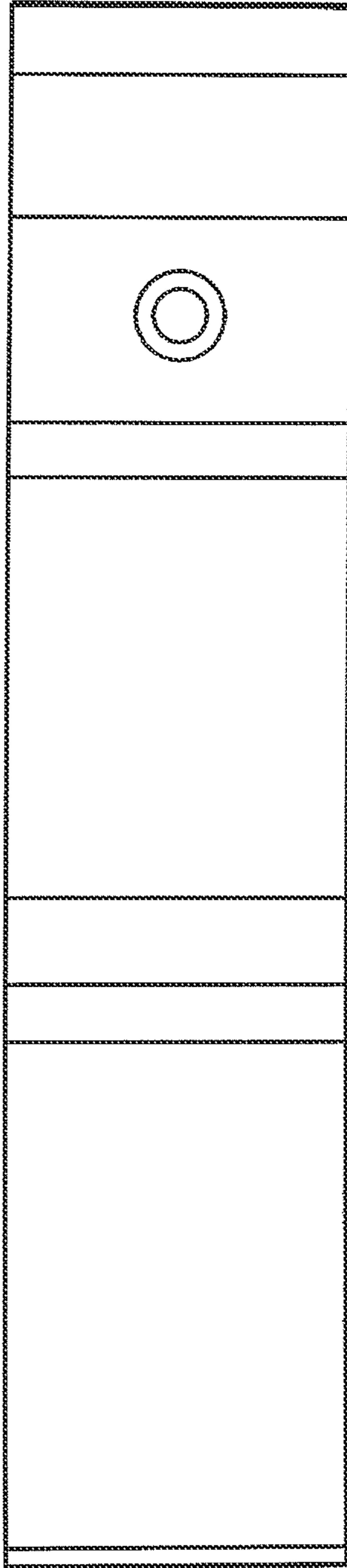


FIG. 2

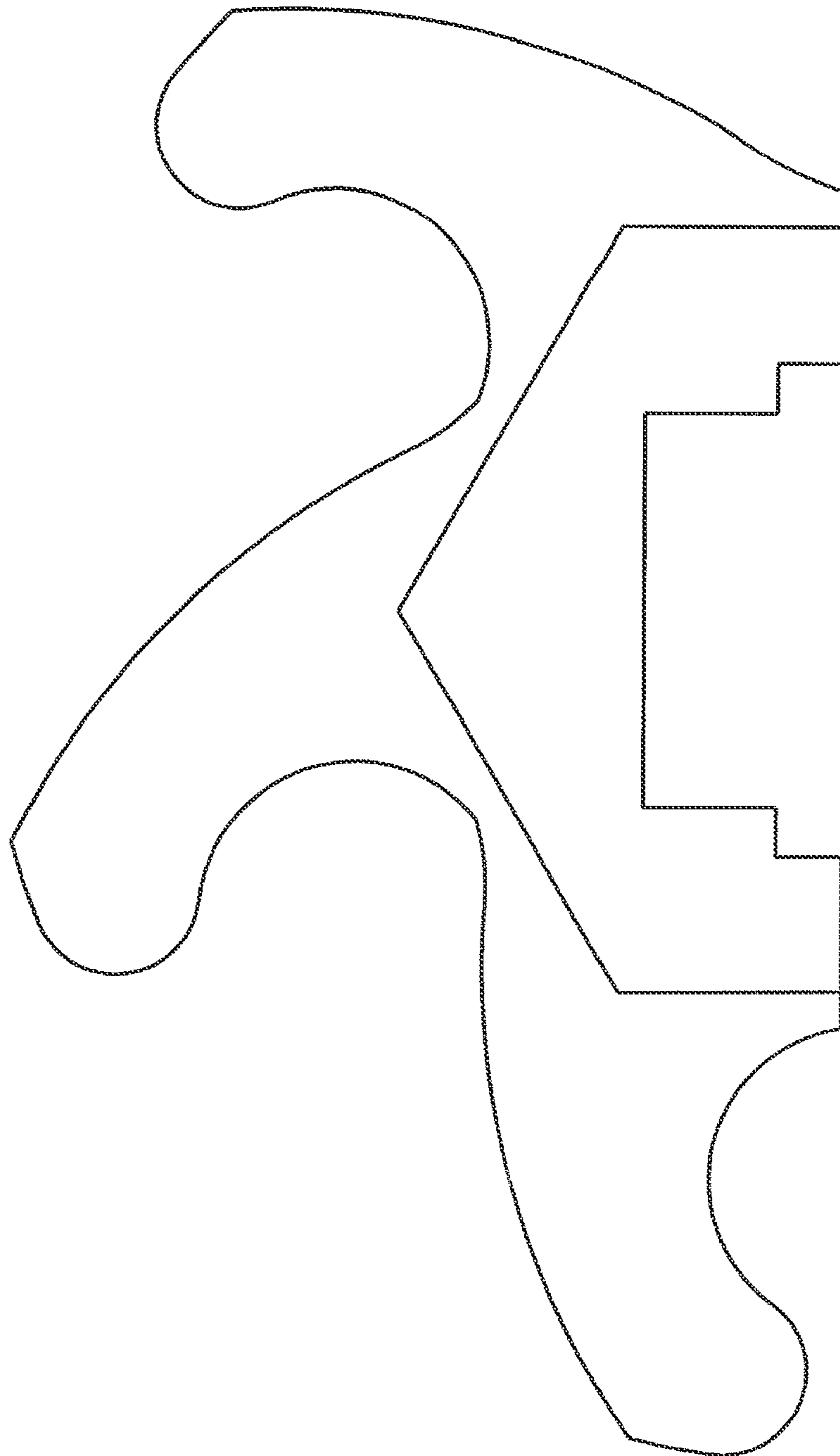


FIG. 3

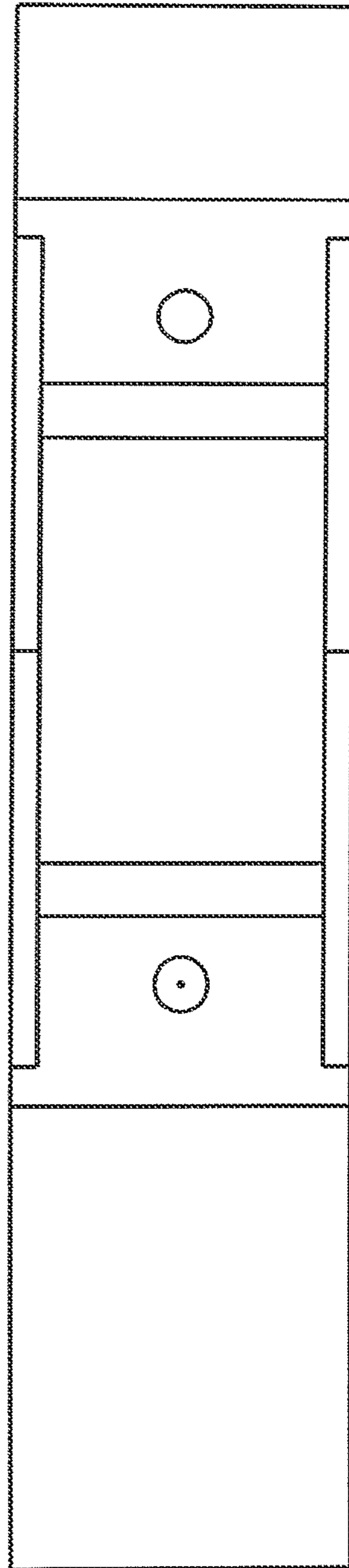


FIG. 4

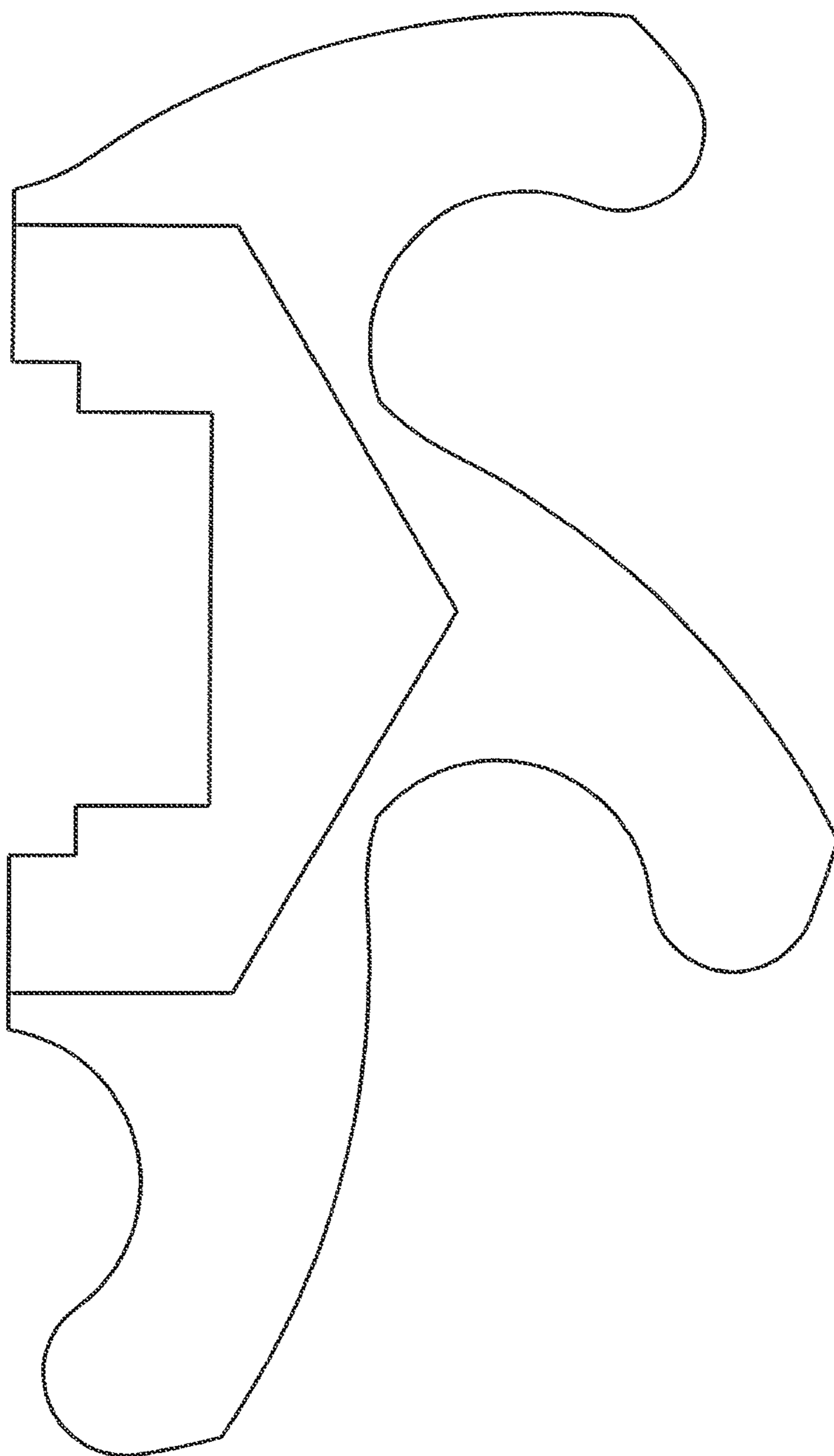


FIG. 5

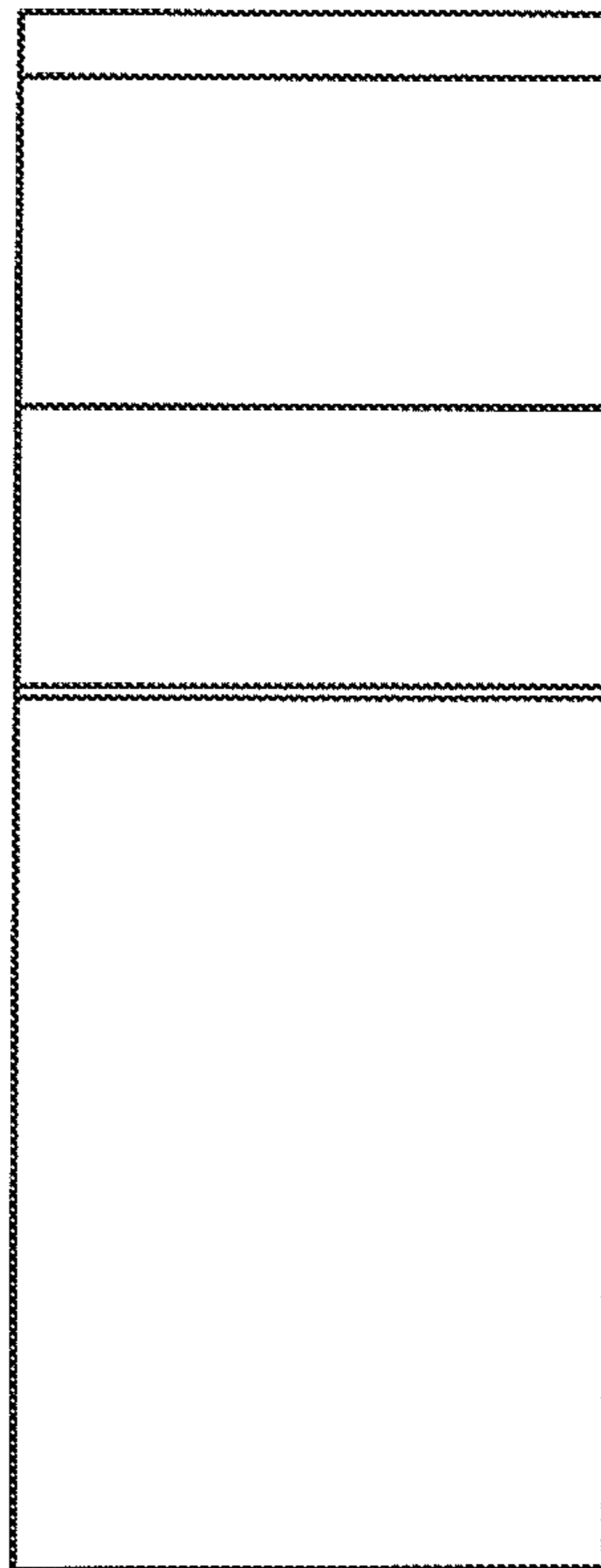


FIG. 6

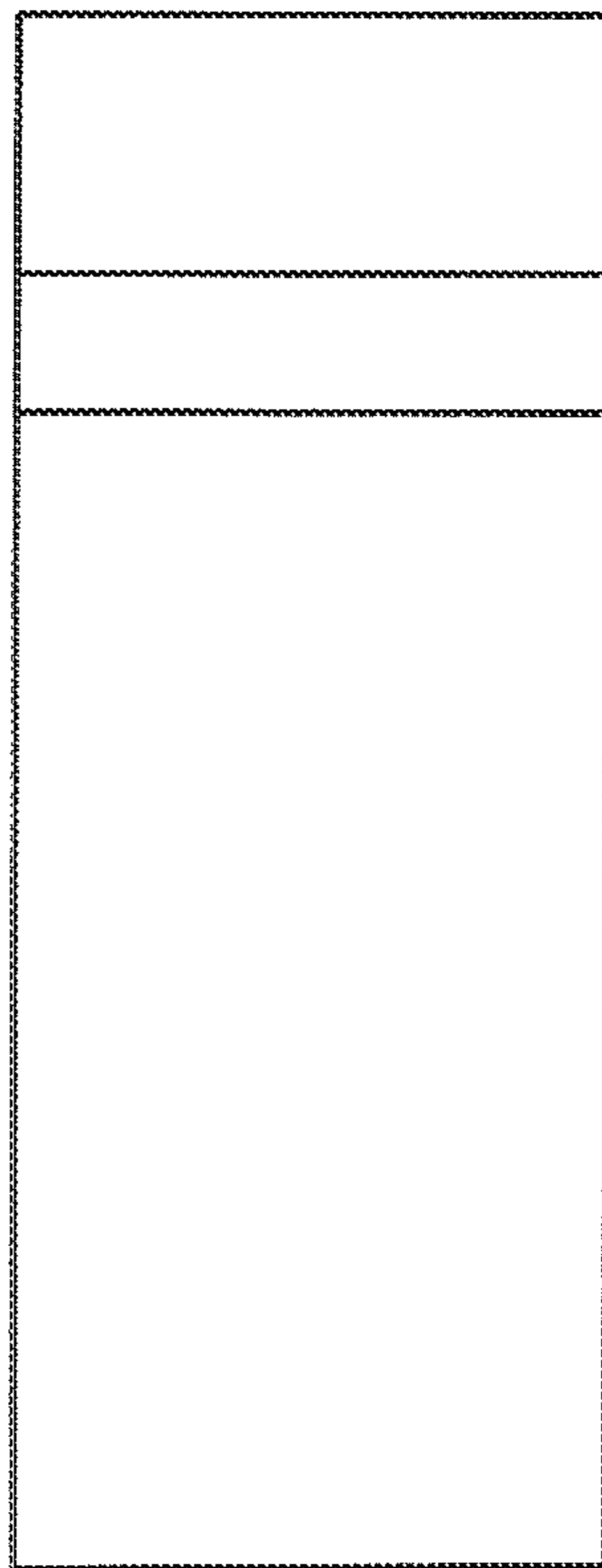


FIG. 7