



US00D690746S

(12) **United States Design Patent**
Pinchot

(10) **Patent No.:** **US D690,746 S**

(45) **Date of Patent:** **** Oct. 1, 2013**

(54) **EXTRUDER PLATE FOR TRIANGULAR SHAPED EXTRUDER INSERTS**

(75) Inventor: **James M. Pinchot**, Parma, OH (US)

(73) Assignee: **JMP Industries, Inc.**, Cleveland, OH (US)

(**) Term: **14 Years**

(21) Appl. No.: **29/413,291**

(22) Filed: **Feb. 14, 2012**

(51) **LOC (9) Cl.** **15-09**

(52) **U.S. Cl.**
USPC **D15/139**

(58) **Field of Classification Search**
USPC D7/368, 387, 665, 672, 676, 677;
D15/138, 139, 199; D21/398, 401, 444,
D21/468, 483, 488, 501-503, 563, 680;
D23/259-261; 264/117.12, 209.1, 209.8;
366/76.1, 149; 425/190, 208, 380
See application file for complete search history.

(56) **References Cited**

U.S. PATENT DOCUMENTS

D562,370 S * 2/2008 Pinchot D15/199
D562,857 S * 2/2008 Pinchot D15/199

D562,859 S * 2/2008 Pinchot D15/199
D562,860 S * 2/2008 Pinchot D15/199
D563,441 S * 3/2008 Pinchot D15/199
D564,550 S * 3/2008 Pinchot D15/139
D564,551 S * 3/2008 Pinchot D15/139
D565,067 S * 3/2008 Pinchot D15/139
D565,068 S * 3/2008 Pinchot D15/199
D565,610 S * 4/2008 Pinchot D15/139
D565,611 S * 4/2008 Pinchot D15/139
D565,612 S * 4/2008 Pinchot D15/139
D568,349 S * 5/2008 Pinchot D15/139

* cited by examiner

Primary Examiner — Patricia Palasik

(74) *Attorney, Agent, or Firm* — Fay Sharpe LLP

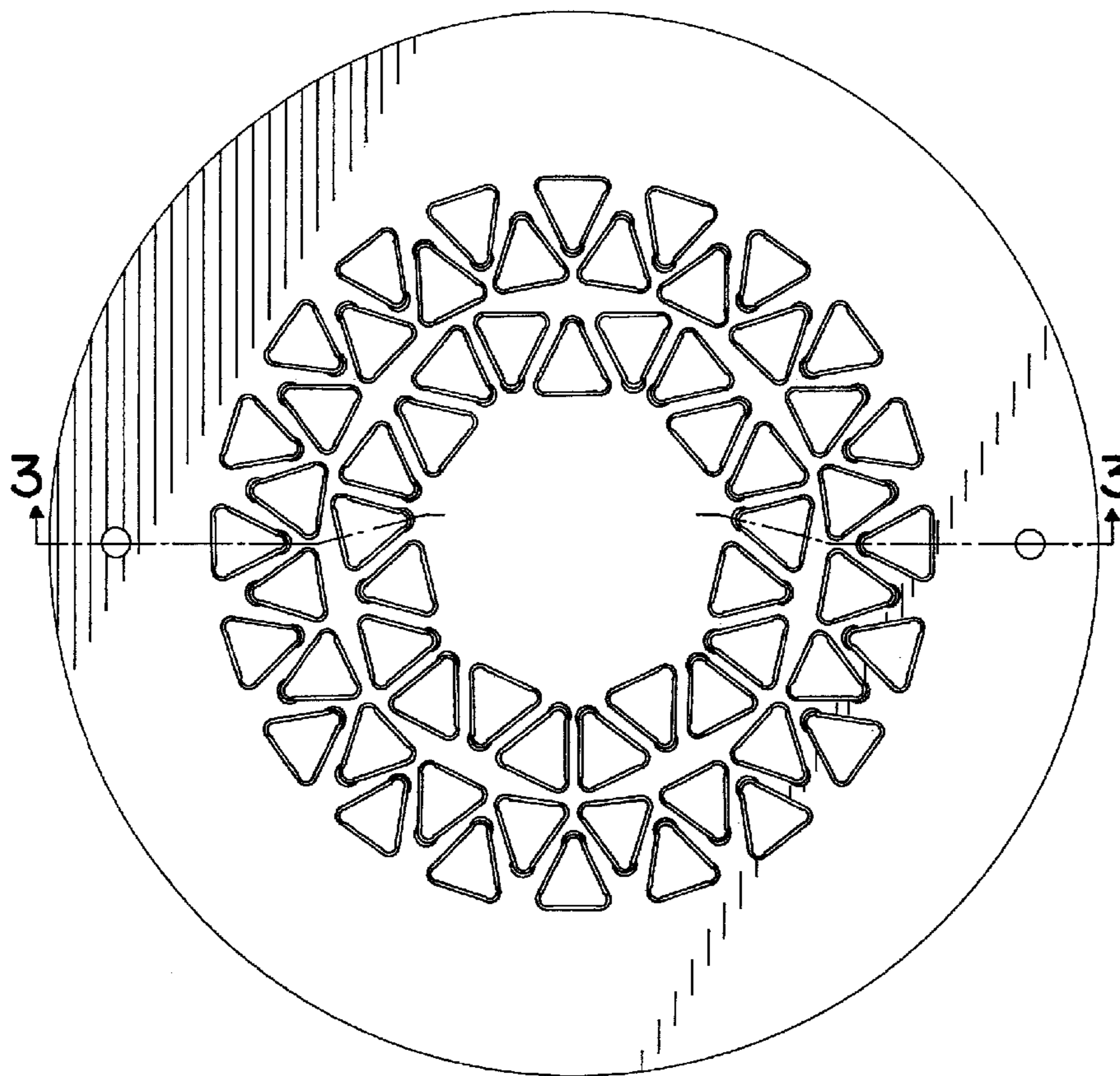
(57) **CLAIM**

The ornamental design for an extruder plate for triangular shaped extruded inserts, as shown and described.

DESCRIPTION

FIG. 1 is a top plan view of an extruder plate for generally triangular shaped extruder inserts showing my new design; FIG. 2 is a bottom plan view of an extruder plate for generally triangular shaped extruder inserts showing my new design; and, FIG. 3 is a cross-sectional view taken along line 3-3 of FIG. 1.

1 Claim, 3 Drawing Sheets



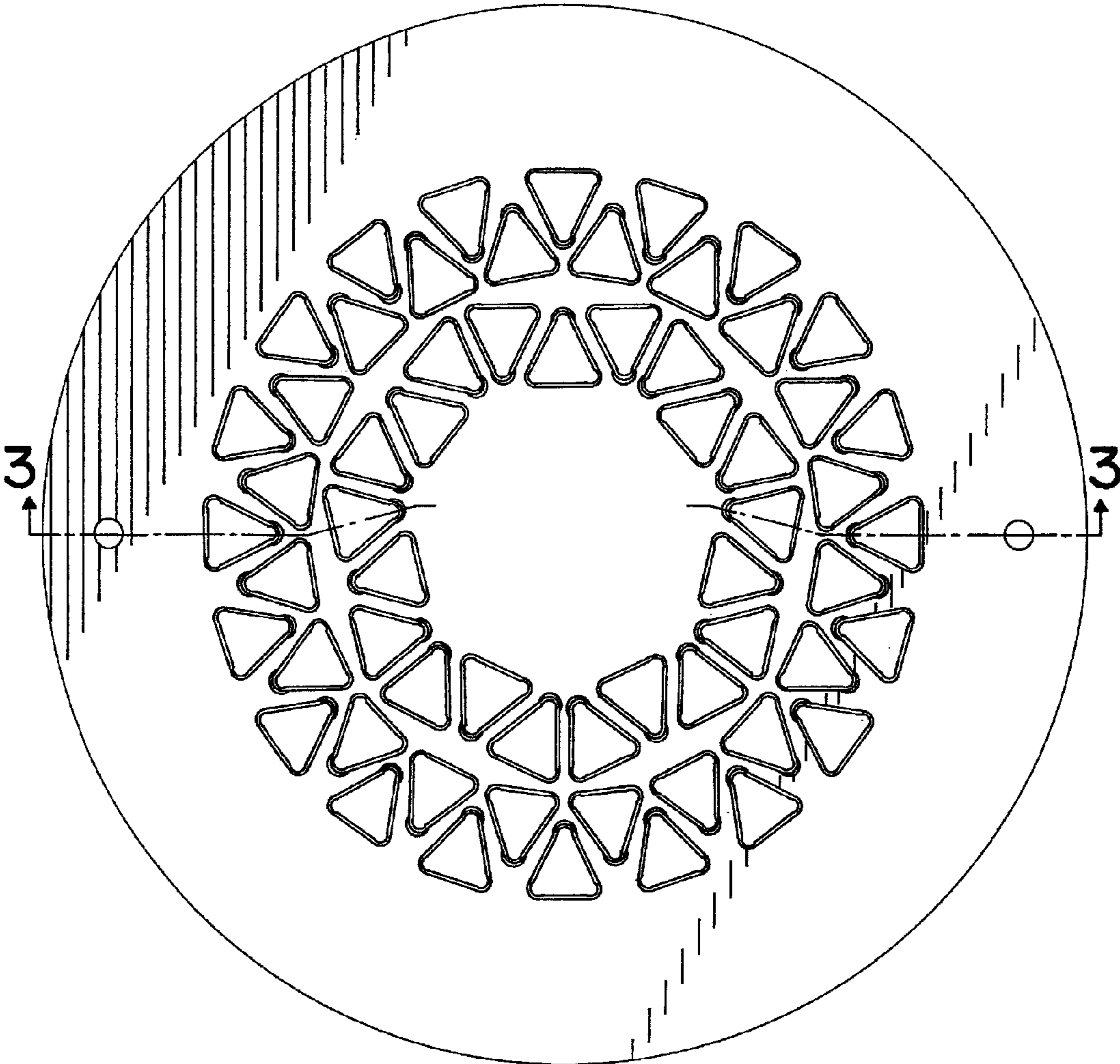


FIG. 1

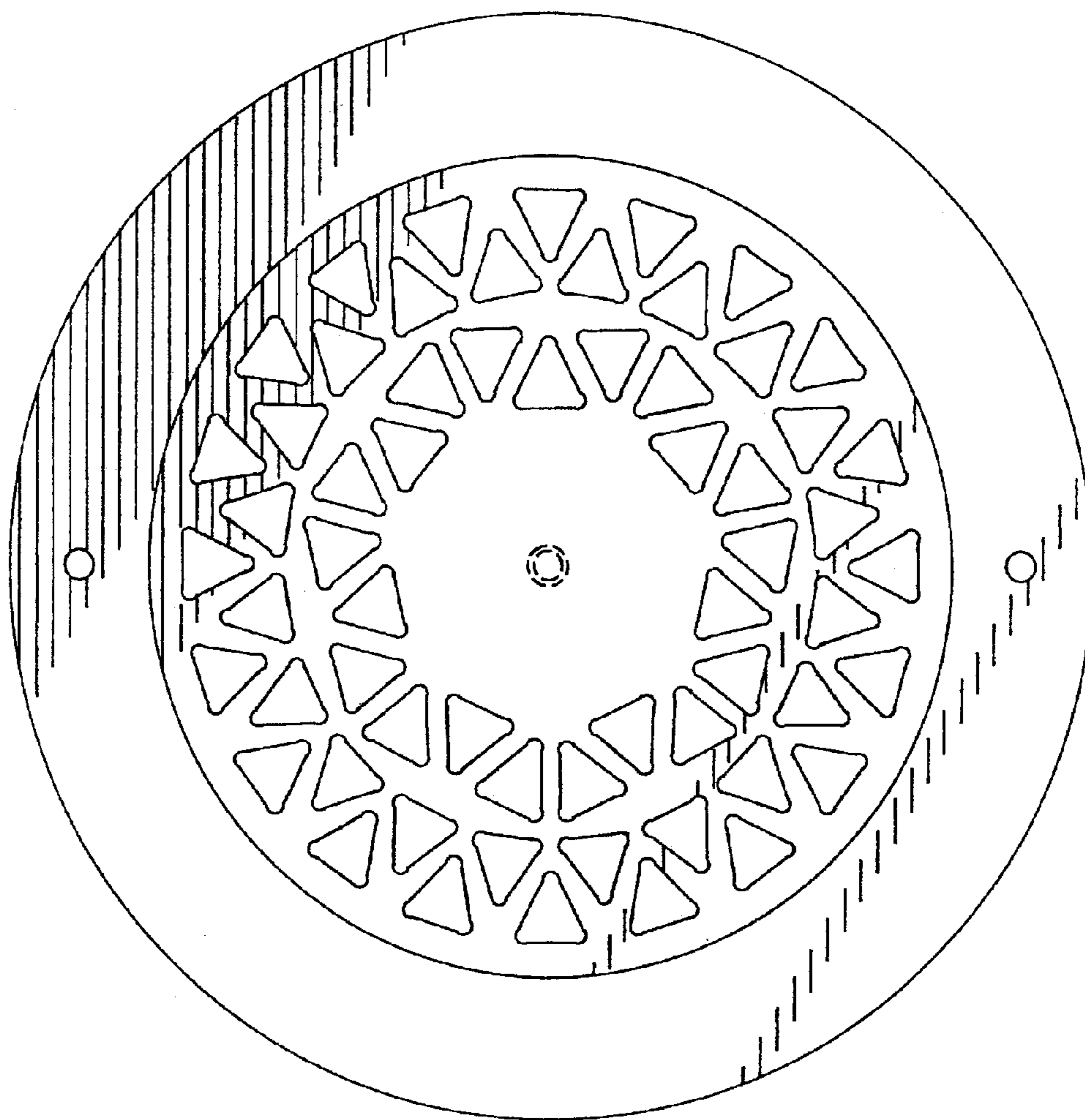


FIG. 2

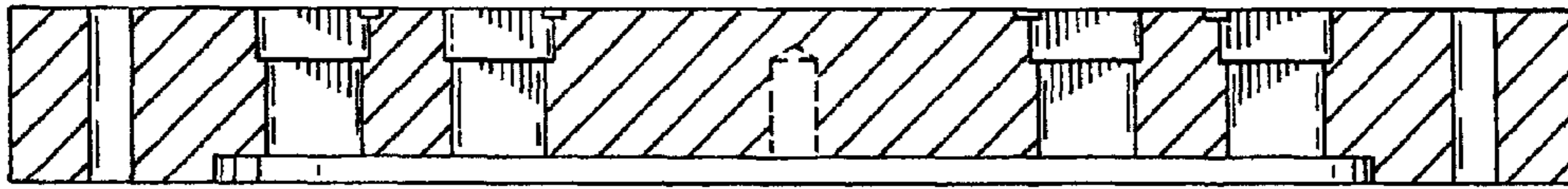


FIG. 3