



US00D690743S

(12) **United States Design Patent**
Lafond et al.

(10) **Patent No.:** **US D690,743 S**

(45) **Date of Patent:** **** Oct. 1, 2013**

(54) **ICE MACHINE INTERFACE**

(75) Inventors: **Marty James Lafond**, Algoma, WI (US); **Mark Paul Giebel**, Manitowoc, WI (US); **Steve David Herning**, Marintette, WI (US); **John Phillip Myers**, Manitowoc, WI (US); **Paula Forseth Dick**, Sheboygan, WI (US); **Curt Richard Cayemberg**, Manitowoc, WI (US)

(73) Assignee: **Manitowoc Foodservice Companies, LLC**, Manitowoc, WI (US)

(**) Term: **14 Years**

(21) Appl. No.: **29/426,885**

(22) Filed: **Jul. 11, 2012**

(51) **LOC (9) Cl.** **15-07**

(52) **U.S. Cl.**
USPC **D15/89**

(58) **Field of Classification Search**
USPC D15/79-89; 312/9.1, 236, 352, 400-408, 312/116, 138.1; 62/3.1, 3.6-3.64, 98, 125, 62/275, 293, 331, 344, 371, 440, 467, 529, 62/531; D7/406; D13/162, 162.1, 164; D14/257

See application file for complete search history.

(56) **References Cited**

U.S. PATENT DOCUMENTS

D563,998 S * 3/2008 Doberstein et al. D15/89

D575,310 S * 8/2008 Bruzelius et al. D15/89
D577,745 S * 9/2008 Bruzelius D15/89
D660,328 S * 5/2012 Doberstein et al. D15/89

* cited by examiner

Primary Examiner — Mitchell Siegel
(74) *Attorney, Agent, or Firm* — Ohlandt, Greeley, Ruggiero & Perle, L.L.P.

(57) **CLAIM**

The ornamental design for an ice machine interface, as shown and described.

DESCRIPTION

FIG. 1 is a top side perspective view of a first embodiment of the ice machine interface according to the present design in use;

FIG. 2 is an enlarged top side perspective view of the ice machine interface of FIG. 1;

FIG. 3 is a side view of the ice machine interface of FIG. 2, the cross-section taken along line 3-3 of FIG. 2;

FIG. 4 is a front view of the ice machine interface of FIG. 2, the cross-section taken along line 4-4 of FIG. 3;

FIG. 5 is a top side perspective view of a second embodiment of the ice machine interface according to the present design in use;

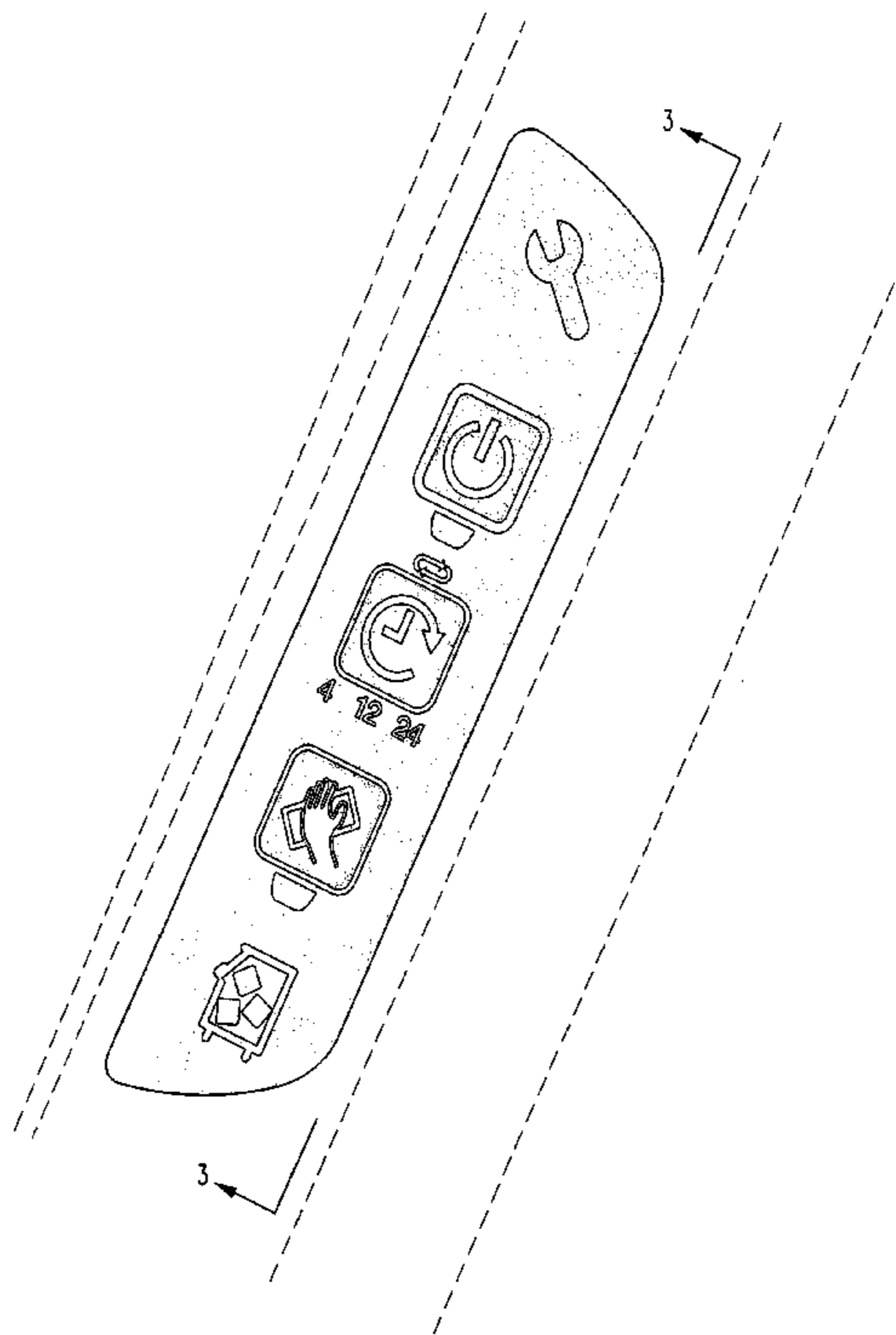
FIG. 6 is an enlarged top side perspective view of the ice machine interface of FIG. 5;

FIG. 7 is a side view of the ice machine interface of FIG. 6, the cross-section taken along line 7-7 of FIG. 6; and,

FIG. 8 is a front view of the ice machine interface of FIG. 6, the cross-section taken along line 8-8 of FIG. 7.

The broken line showing is included for the purpose of illustrating and forms no part of the claimed design.

1 Claim, 8 Drawing Sheets



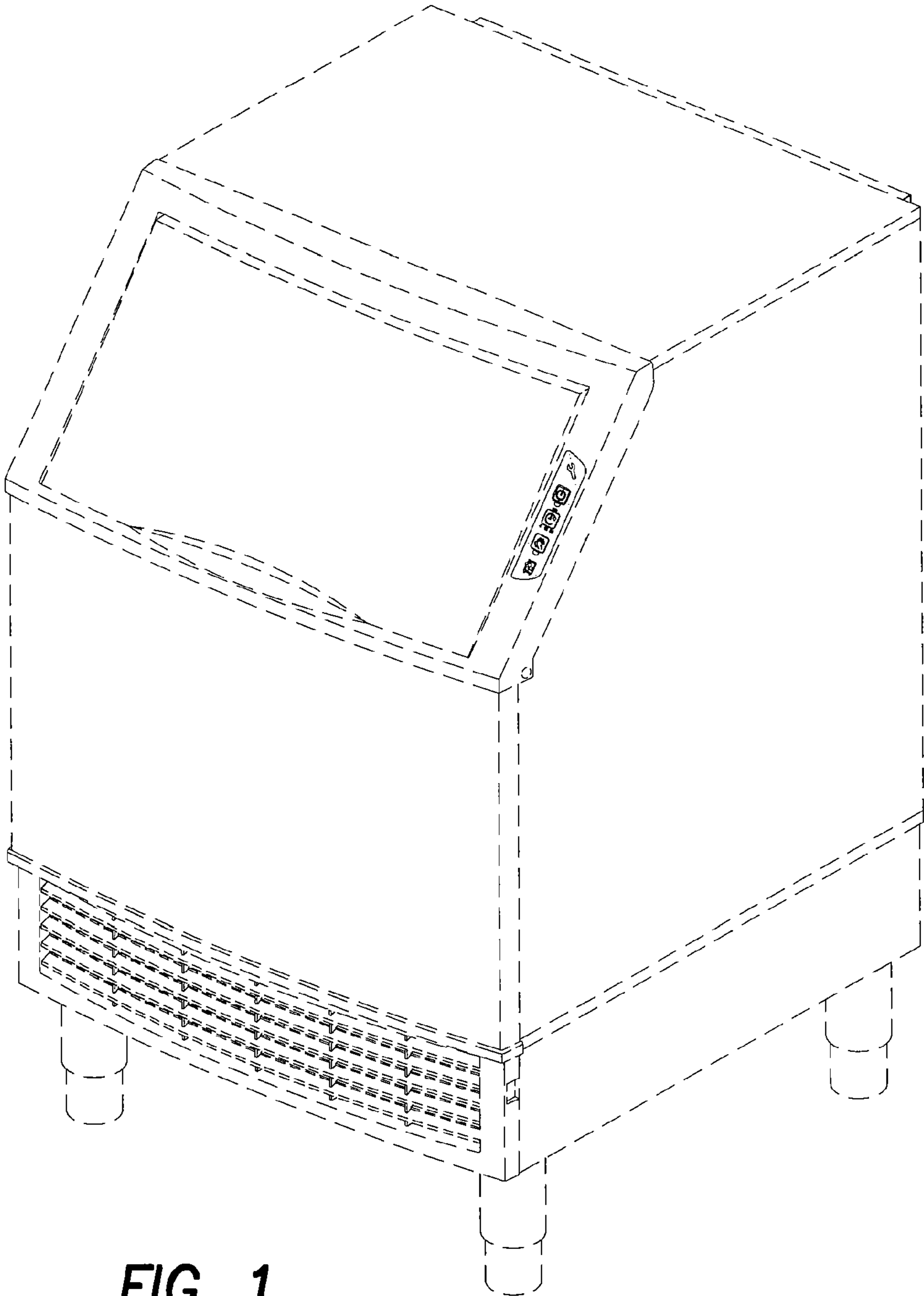
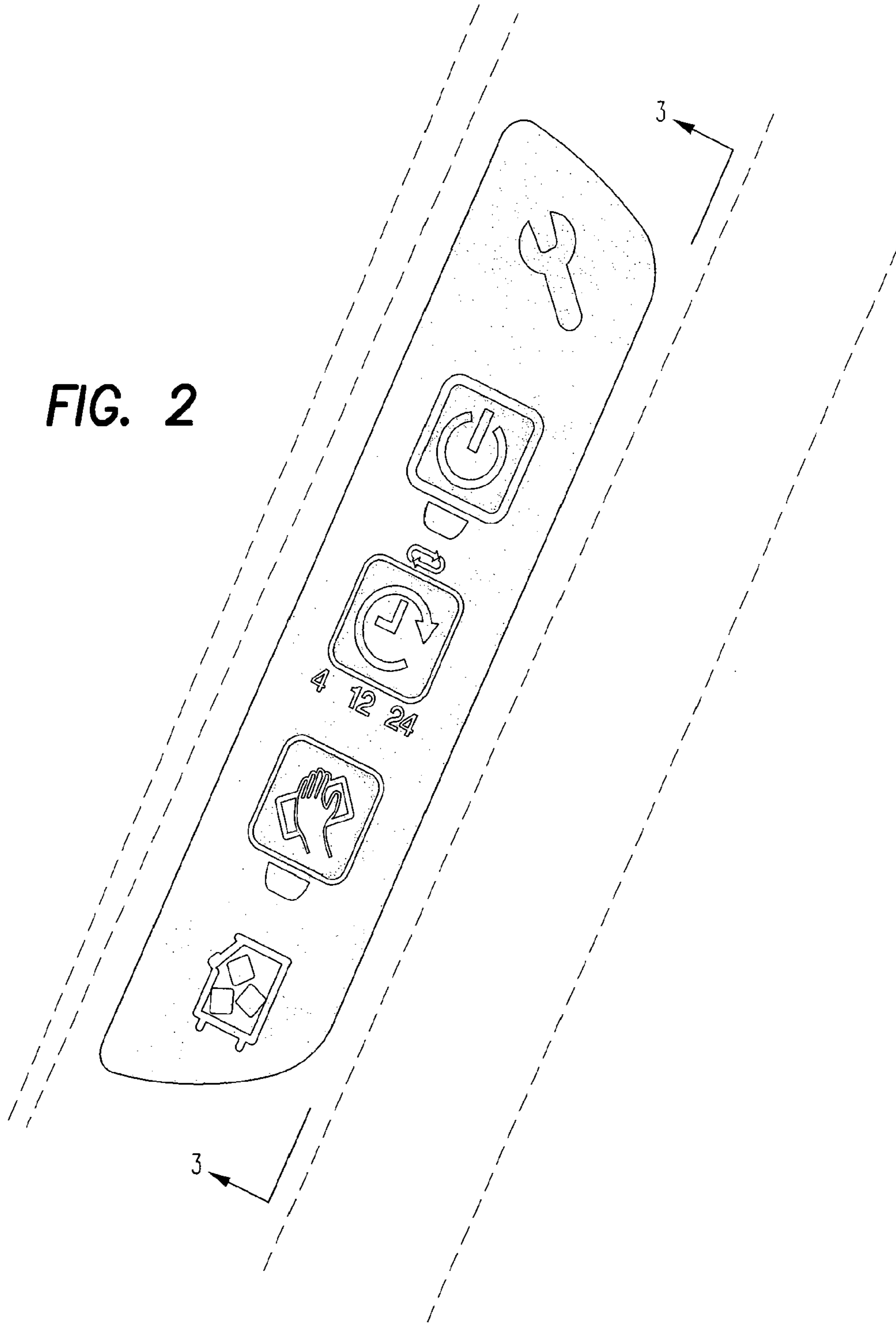


FIG. 1

FIG. 2



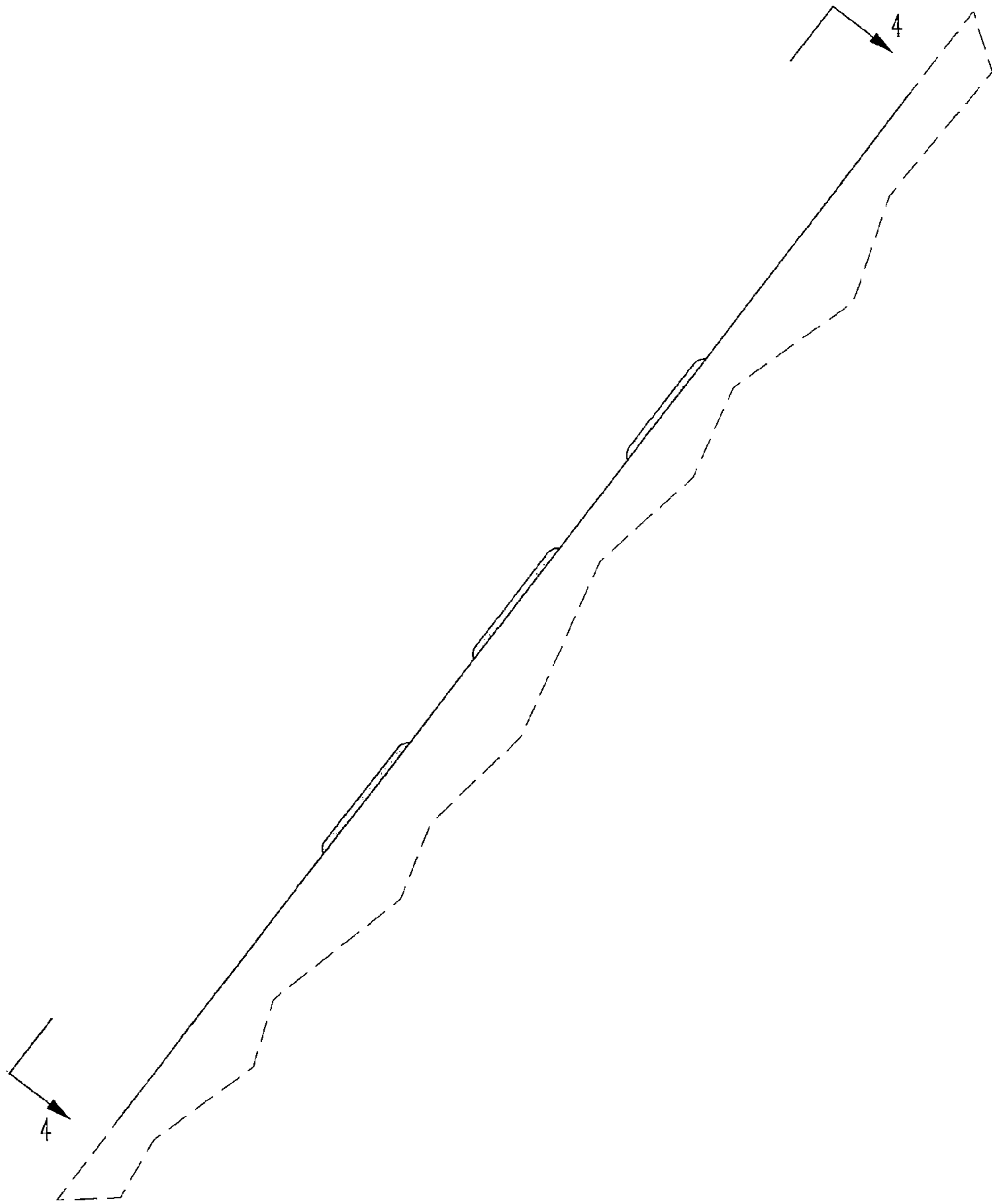


FIG. 3

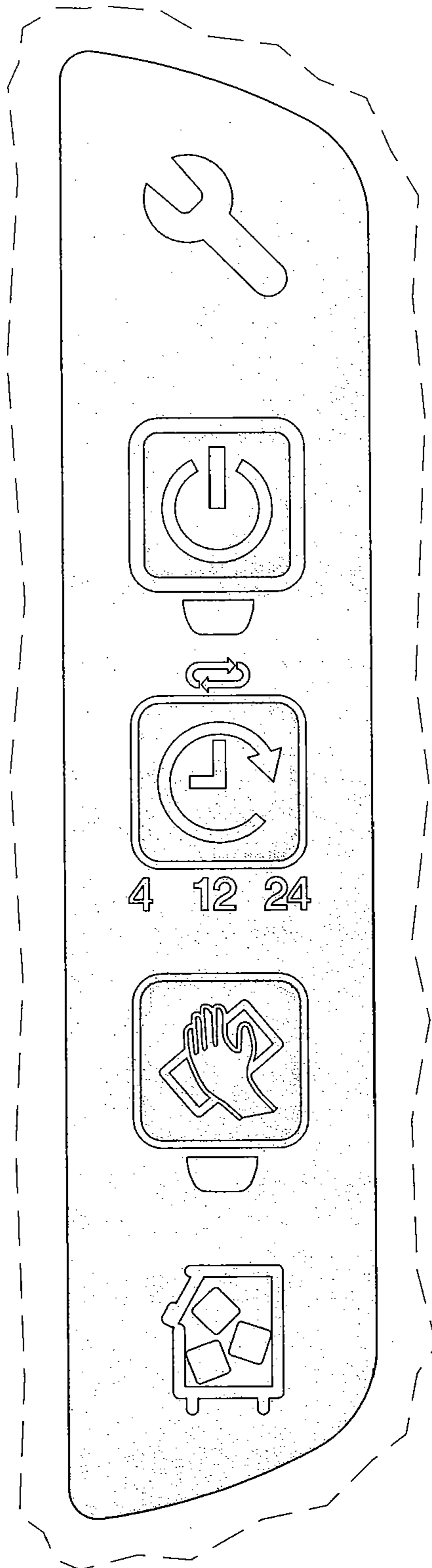


FIG. 4

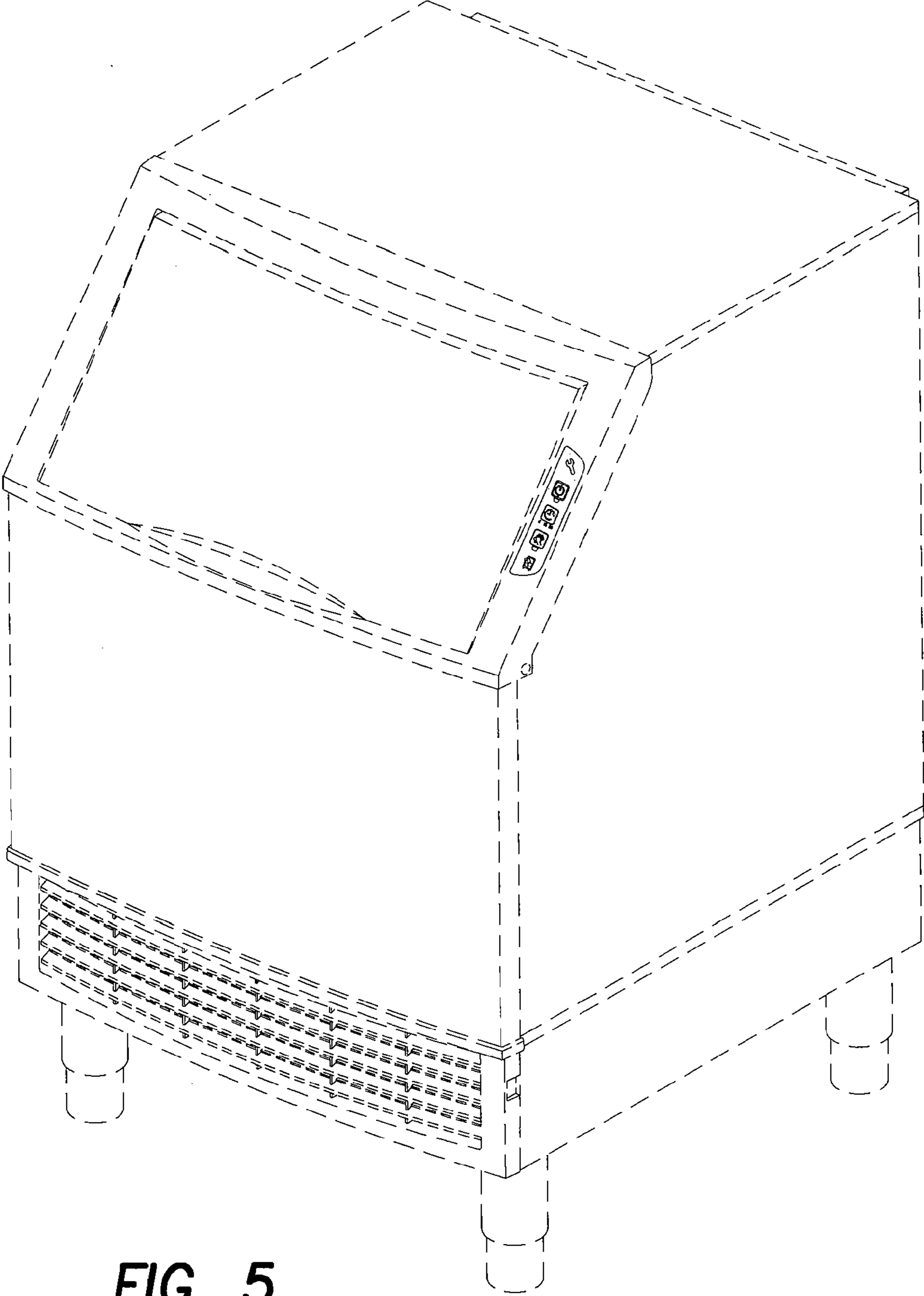
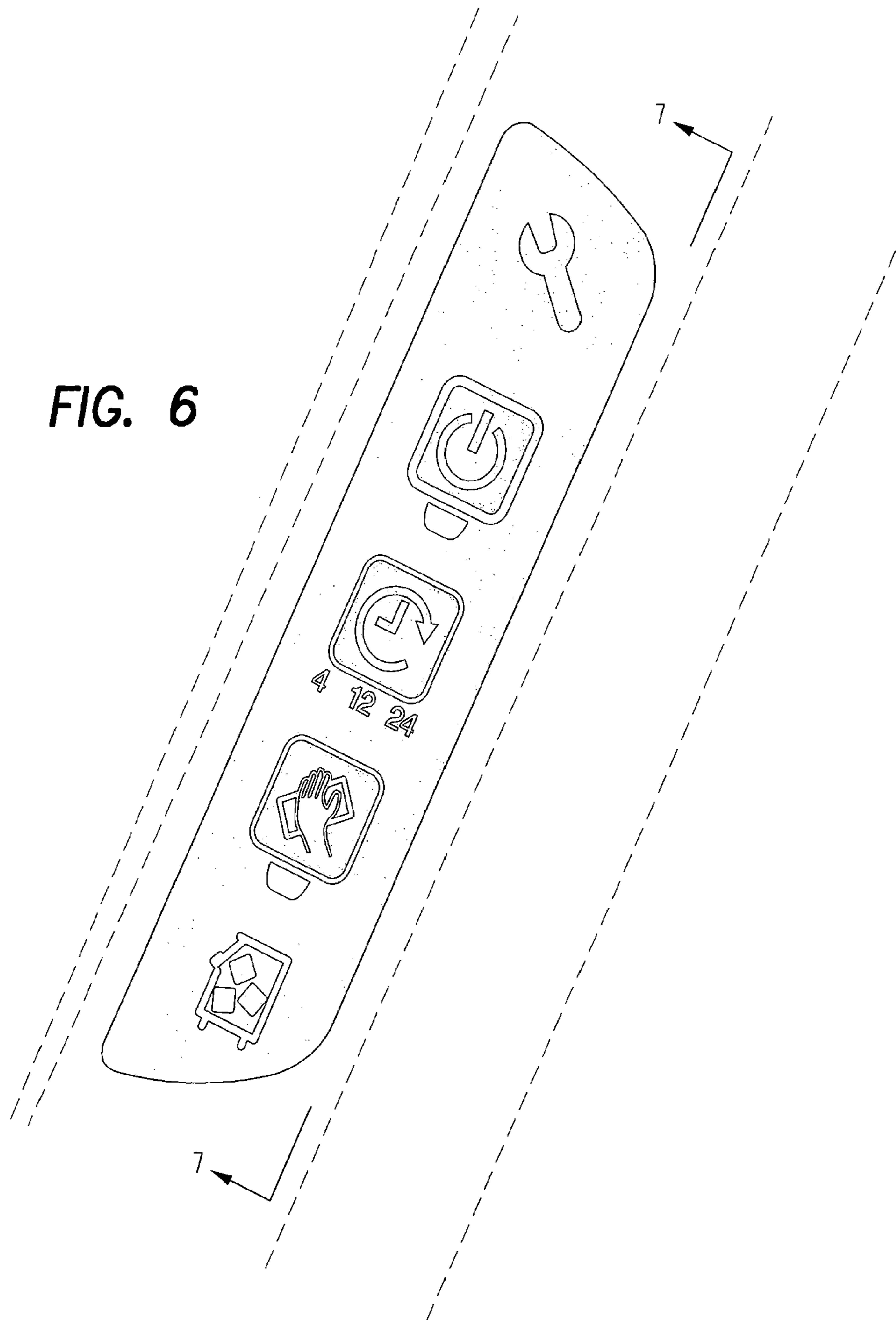


FIG. 5

FIG. 6



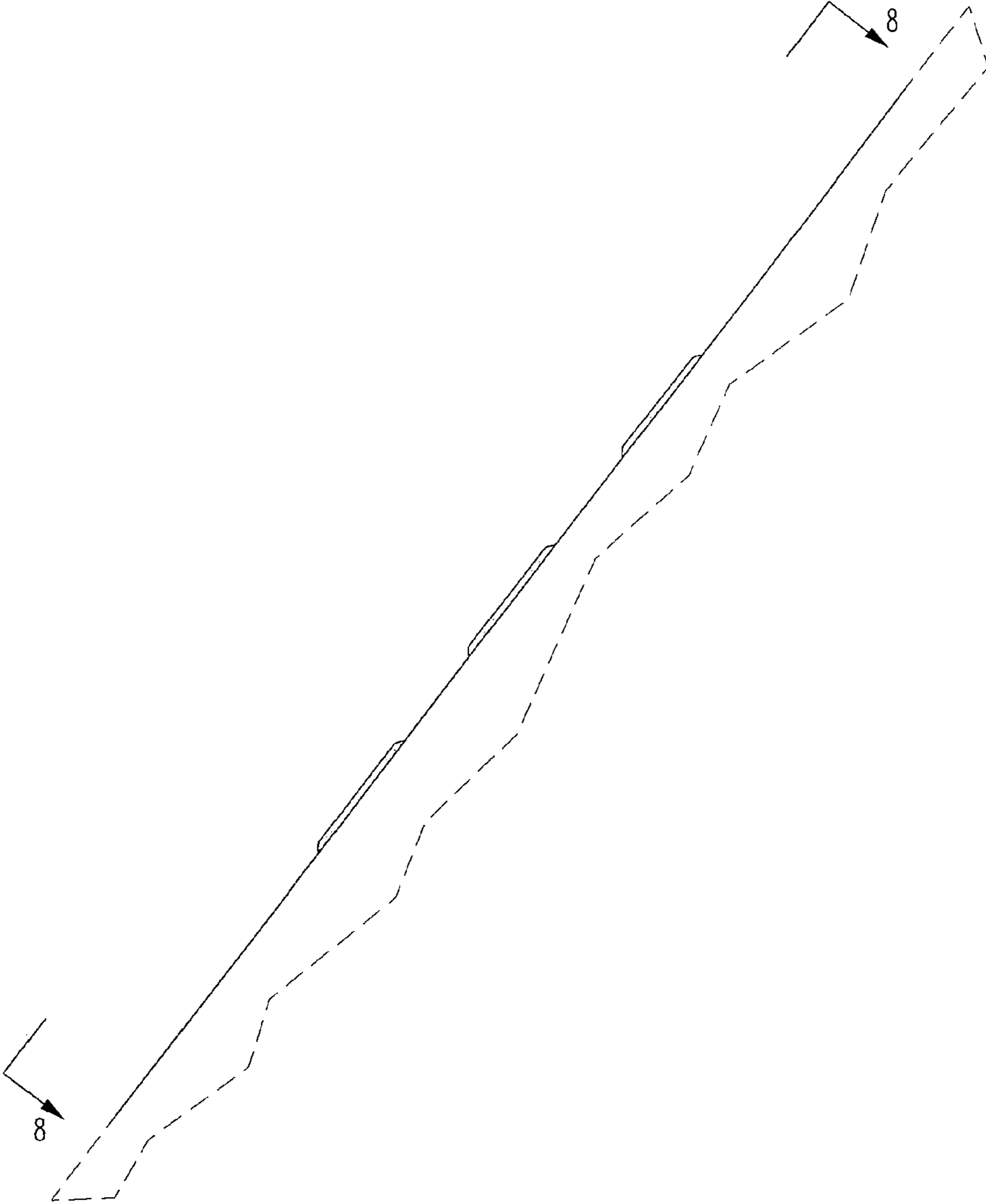


FIG. 7

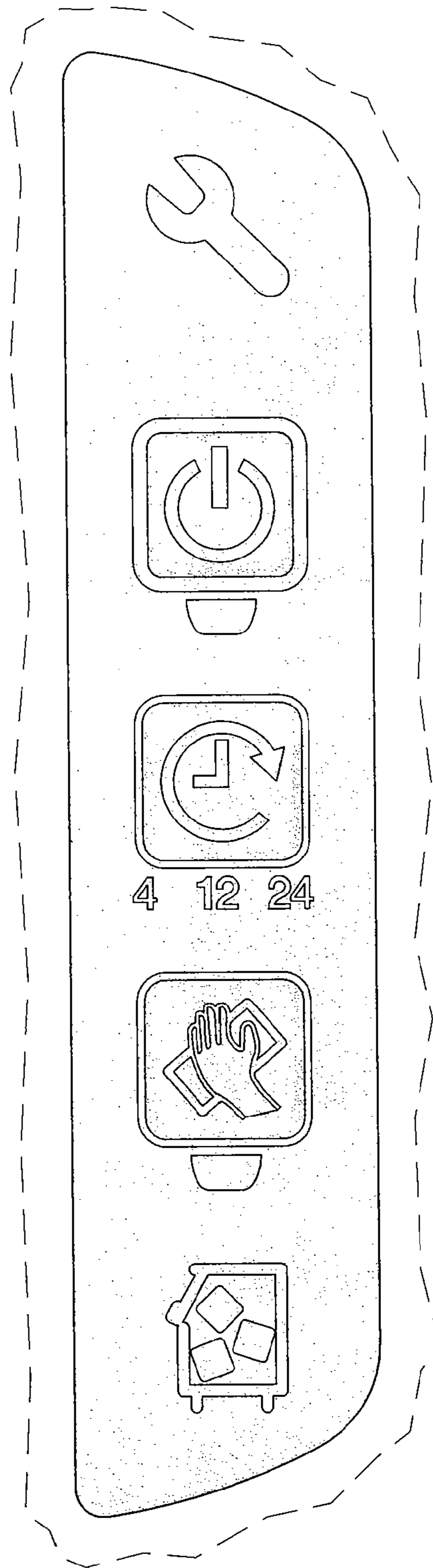


FIG. 8