



US00D690740S

(12) **United States Design Patent**
Gonzales et al.

(10) **Patent No.:** **US D690,740 S**

(45) **Date of Patent:** **** Oct. 1, 2013**

(54) **AGRICULTURAL IMPLEMENT TANK**

(71) Applicant: **CNH America LLC**, New Holland, PA (US)

(72) Inventors: **Jesse Gonzales**, Falls Church, VA (US); **Scott A Long**, Plainfield, IL (US); **Carl Hagele**, Chicago, IL (US)

(73) Assignee: **CNH America LLC**, New Holland, PA (US)

(**) Term: **14 Years**

(21) Appl. No.: **29/441,748**

(22) Filed: **Jan. 9, 2013**

(51) **LOC (9) Cl.** **15-03**

(52) **U.S. Cl.**
USPC **D15/28**

(58) **Field of Classification Search**
USPC D15/10, 13-17, 28, 21, 27; D12/218;
D23/200, 202, 213; 239/683, 687, 72, 289,
239/722; 414/725, 912; 37/442, 403; 111/118;
137/544; 220/587, 565, 567.1; 210/532.2;
123/563; 222/185.1, 608
See application file for complete search history.

(56) **References Cited**

U.S. PATENT DOCUMENTS

3,263,865	A *	8/1966	Kachnik	222/159
3,393,835	A *	7/1968	Kantor et al.	222/105
3,797,743	A *	3/1974	Kommers et al.	239/148
4,011,914	A *	3/1977	Elmer	172/126
D307,591	S *	5/1990	Ridgeon	D15/13
D327,942	S *	7/1992	Whitfield	D23/202
D333,476	S *	2/1993	Gingrich	D15/13
D349,944	S *	8/1994	Harris	D23/202
D359,712	S *	6/1995	Ziaylek et al.	D12/13
D364,173	S *	11/1995	Woods	D15/13
5,501,405	A *	3/1996	Doornek	239/683

5,676,117	A *	10/1997	Williams	123/527
5,755,382	A *	5/1998	Skotinkov	239/161
5,816,350	A *	10/1998	Akira et al.	180/68.1
D408,421	S *	4/1999	Beal, Jr.	D15/17
5,992,759	A *	11/1999	Patterson	239/167
D425,915	S *	5/2000	Truan et al.	D15/13
D427,206	S *	6/2000	Johnson et al.	D15/28
6,129,056	A *	10/2000	Skeel et al.	123/41.49
D433,425	S *	11/2000	Surrige et al.	D15/17
D440,982	S *	4/2001	Knight et al.	D15/23
D445,477	S *	7/2001	Pomier	D23/207
6,285,938	B1 *	9/2001	Lang et al.	701/50
6,546,919	B2 *	4/2003	Callas et al.	123/563
6,564,857	B1 *	5/2003	Zobel et al.	165/41

(Continued)

Primary Examiner — Mark Goodwin

(74) *Attorney, Agent, or Firm* — Rebecca Henkel

(57) **CLAIM**

The ornamental design for an agricultural implement tank, substantially as shown and described.

DESCRIPTION

FIG. 1 is a perspective view of an agricultural implement tank, in which the phantom lines illustrate an inductor box assembly, mounting brackets, and a hatch;

FIG. 2 is a top view of the agricultural implement tank;

FIG. 3 is a right side elevation view of the agricultural implement tank, the left side elevation view being a mirror image of the left side elevation view being shown;

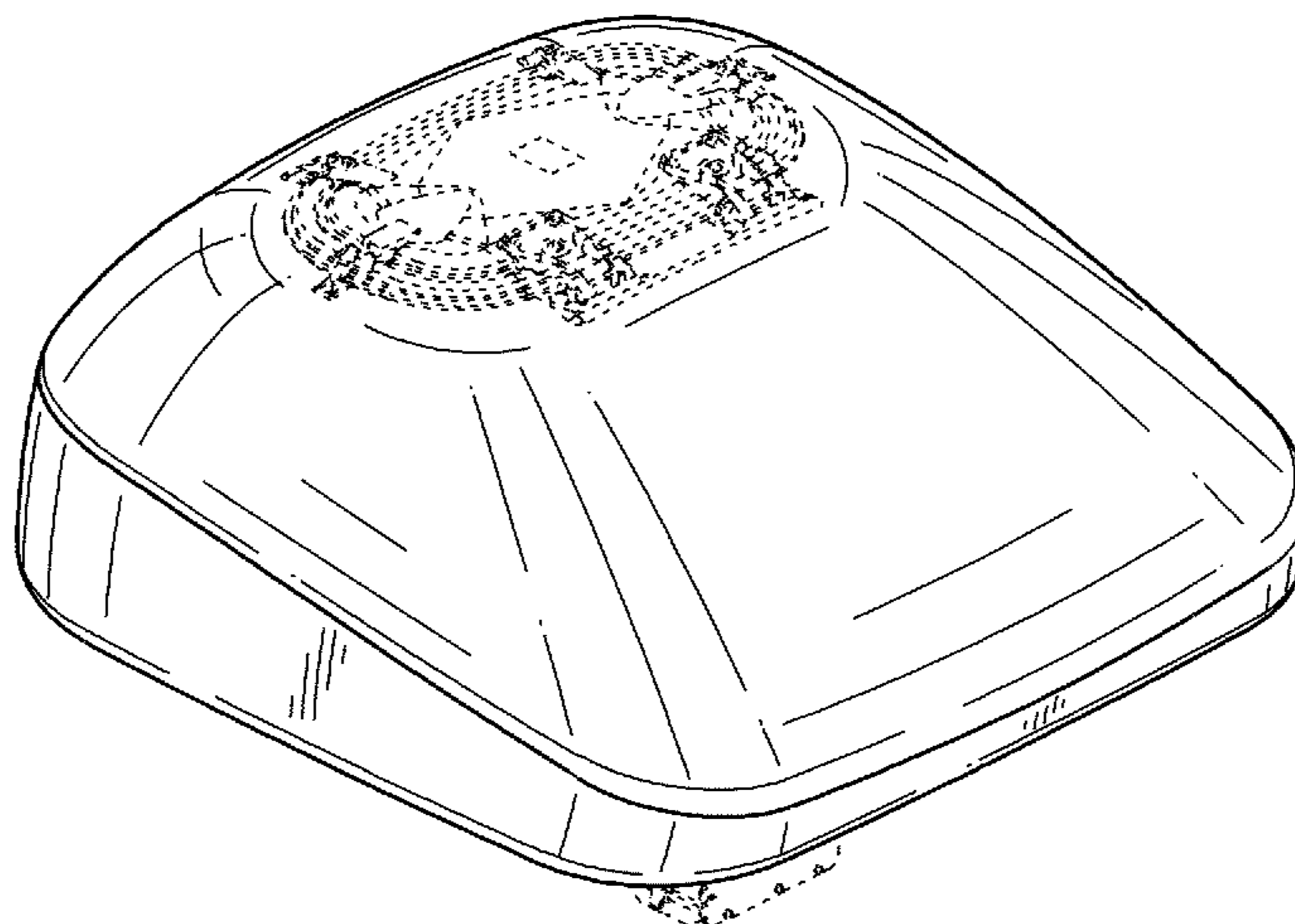
FIG. 4 is a front elevation view of the agricultural implement tank;

FIG. 5 is a back elevation view of the agricultural implement tank; and,

FIG. 6 is a bottom view of the agricultural implement tank.

The broken line showing of an inductor box assembly, mounting brackets, and a hatch in the figures is included for the purpose of illustrating environmental structure only and forms no part of the claimed design.

1 Claim, 6 Drawing Sheets



(56)

References Cited

U.S. PATENT DOCUMENTS

6,588,189 B2 * 7/2003 Horejsi et al. 56/28
 6,634,418 B2 * 10/2003 Wooldridge 165/44
 6,715,643 B1 * 4/2004 Kelly 222/82
 D499,113 S * 11/2004 Murayama et al. D15/7
 6,817,404 B2 * 11/2004 Frana-Guthrie et al. 165/43
 D500,055 S * 12/2004 Bieker D15/28
 6,880,656 B2 * 4/2005 Pfusterschmid et al. 180/68.4
 D523,447 S * 6/2006 Dixon D15/13
 D527,789 S * 9/2006 Thompson et al. D23/202
 D543,995 S * 6/2007 Tanaka et al. D15/5
 D590,043 S * 4/2009 Campbell D23/202

D604,686 S * 11/2009 Yan et al. D12/218
 D612,448 S * 3/2010 Richardson D23/202
 D624,864 S * 10/2010 Makino D12/218
 D625,388 S * 10/2010 Cook D23/202
 D647,168 S * 10/2011 Lerner et al. D23/202
 D647,169 S * 10/2011 Leonard et al. D23/202
 D647,170 S * 10/2011 Hayslip et al. D23/202
 D655,372 S * 3/2012 Kimball et al. D23/202
 D656,520 S * 3/2012 Ortlund et al. D15/17
 2002/0030119 A1 * 3/2002 Proharam 239/168
 2011/0147497 A1 * 6/2011 Hiddema 239/722
 2012/0032005 A1 * 2/2012 McMahan et al. 239/722

* cited by examiner

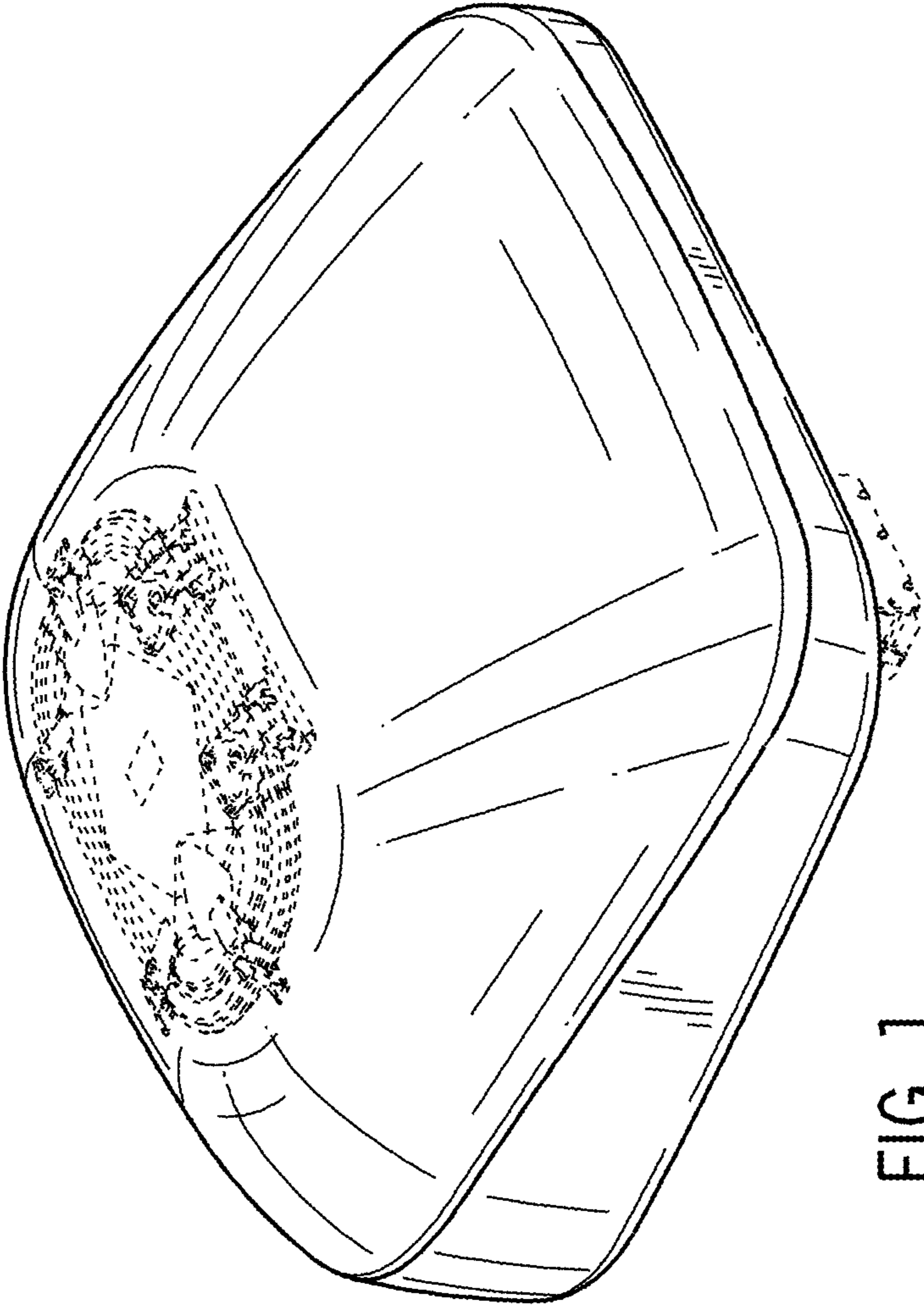


FIG. 1

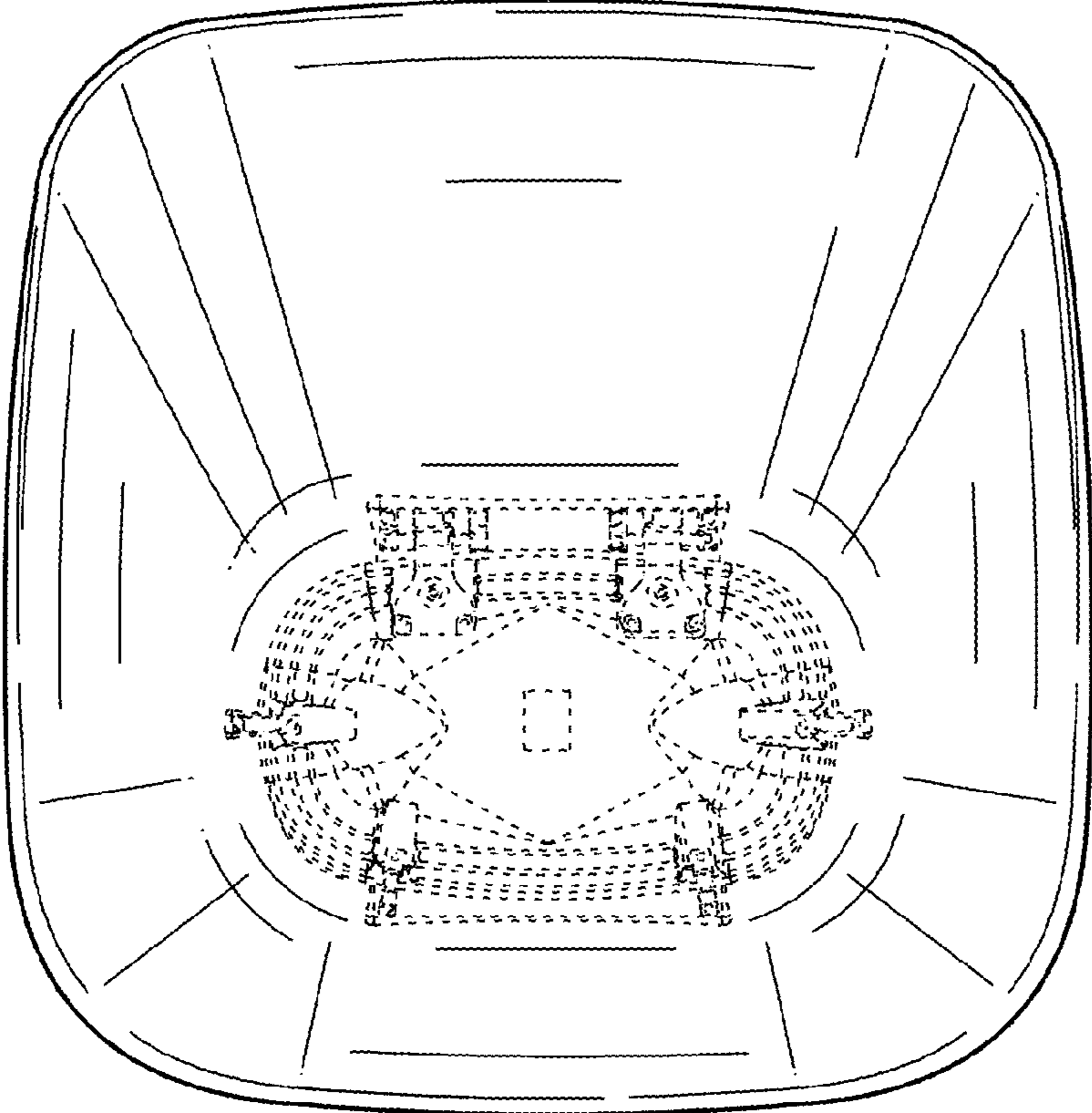


FIG. 2

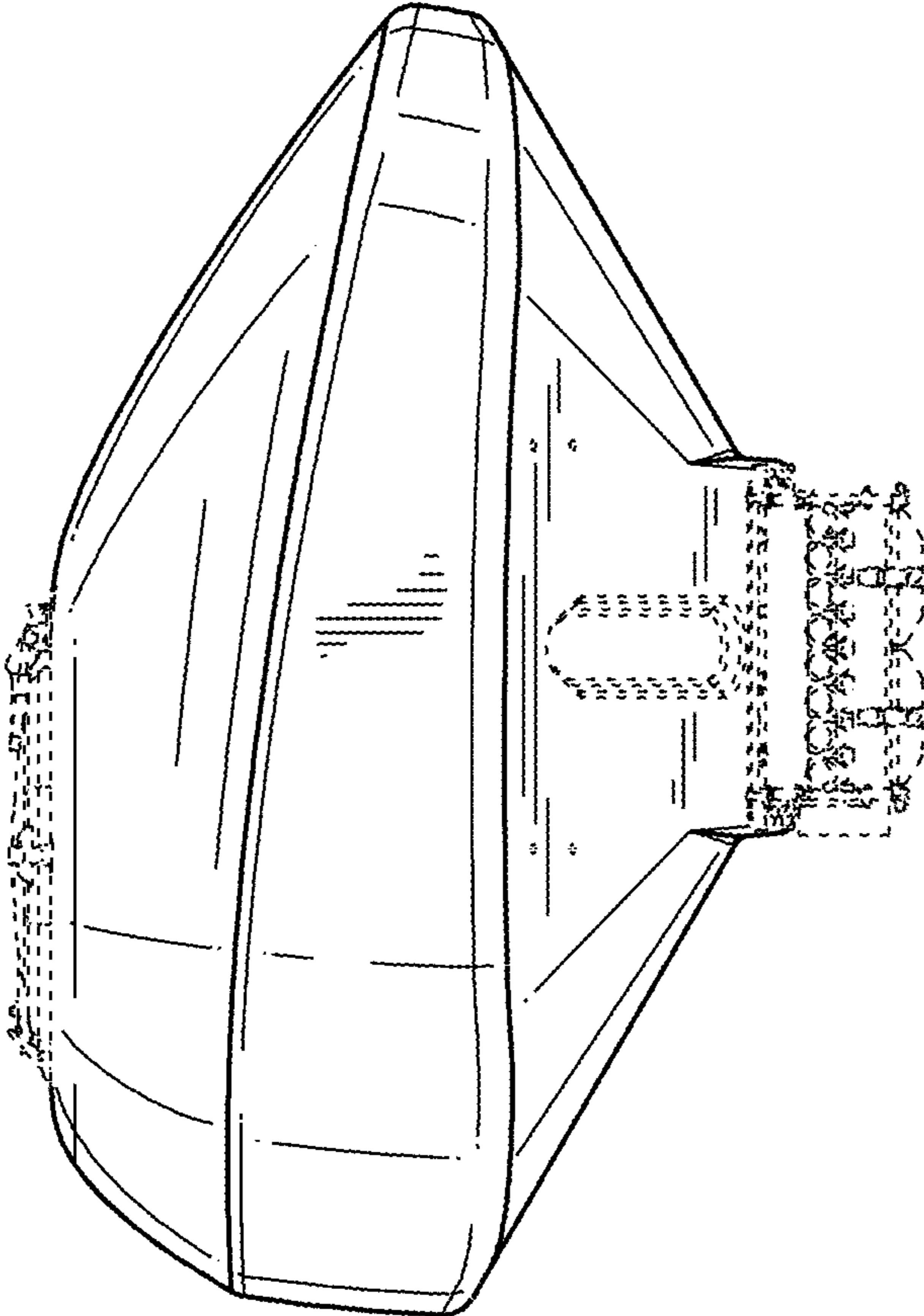


FIG. 3

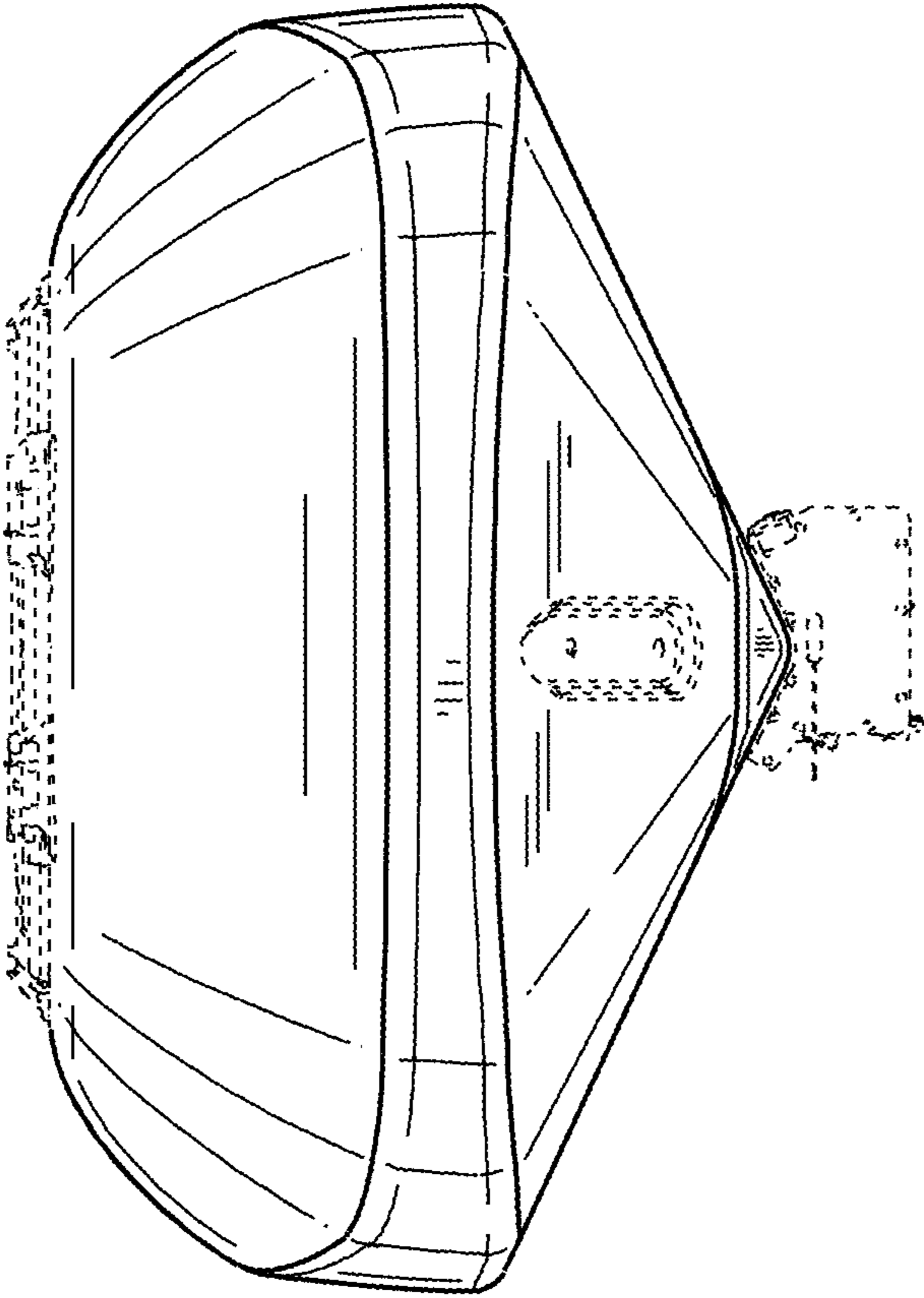


FIG. 4

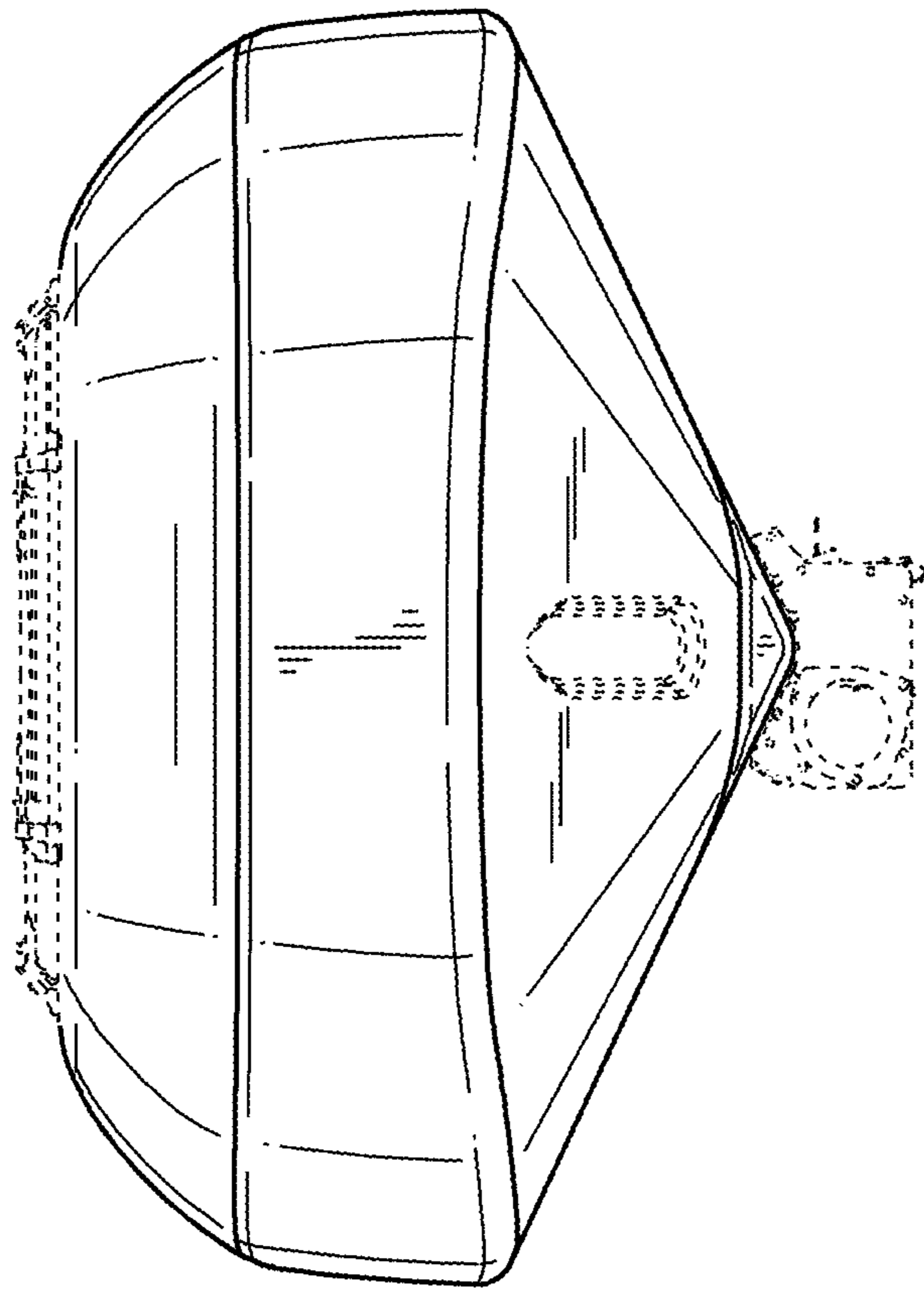


FIG. 5

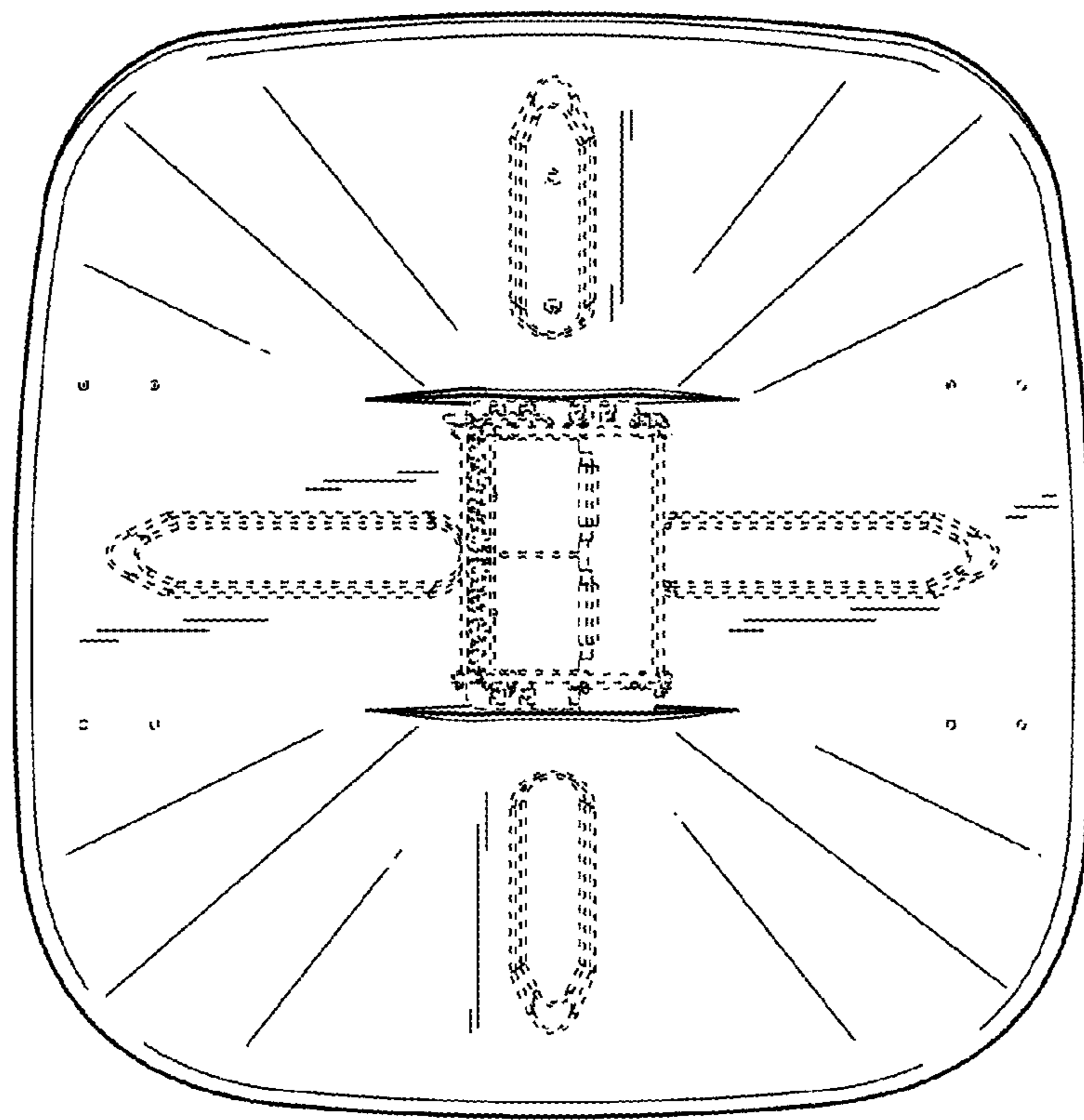


FIG. 6