



US00D690739S

(12) **United States Design Patent**
Akana et al.

(10) **Patent No.:** **US D690,739 S**
(45) **Date of Patent:** **** Oct. 1, 2013**

(54) **ELECTRONIC DEVICE**

(71) Applicant: **Apple Inc.**, Cupertino, CA (US)

(72) Inventors: **Jody Akana**, San Francisco, CA (US);
Bartley K. Andre, Menlo Park, CA (US);
Jeremy Bataillou, San Francisco, CA (US);
Daniel J. Coster, San Francisco, CA (US);
Daniele De Iuliis, San Francisco, CA (US);
M. Evans Hankey, San Francisco, CA (US);
Richard P. Howarth, San Francisco, CA (US);
Jonathan P. Ive, San Francisco, CA (US);
Duncan Robert Kerr, San Francisco, CA (US);
Shin Nishibori, Kailua, HI (US);
Matthew Dean Rohrbach, San Francisco, CA (US);
Peter Russell-Clarke, San Francisco, CA (US);
Christopher J. Stringer, Woodside, CA (US);
Eugene Antony Whang, San Francisco, CA (US);
Rico Zörkendörfer, San Francisco, CA (US)

(73) Assignee: **Apple Inc.**, Cupertino, CA (US)

(**) Term: **14 Years**

(21) Appl. No.: **29/449,810**

(22) Filed: **Mar. 15, 2013**

Related U.S. Application Data

(63) Continuation of application No. 29/428,517, filed on Jul. 31, 2012, now Pat. No. Des. 678,336, which is a continuation of application No. 29/413,693, filed on Feb. 17, 2012, now Pat. No. Des. 664,995, which is a continuation of application No. 29/391,989, filed on May 16, 2011, now Pat. No. Des. 654,506, which is a continuation of application No. 29/367,996, filed on Aug. 16, 2010, now Pat. No. Des. 638,030.

(51) **LOC (9) Cl.** **14-03**

(52) **U.S. Cl.**
USPC **D14/496**

(58) **Field of Classification Search**

USPC D14/496, 401, 435, 474, 483, 217,
D14/137, 138, 160, 168, 356, 203.1–203.8,
D14/507; 345/156, 169, 173–179, 905;
715/727–729, 864; 710/1, 5, 8; 713/1, 600;
455/1.1, 1.7, 73, 344–347, 93, 95, 3.01–3.06,
455/550.1, 573.1; 370/342–344; 369/1,
369/2, 6–12; 463/43–47; 273/148 B
See application file for complete search history.

(56) **References Cited**

U.S. PATENT DOCUMENTS

D141,980 S 8/1945 Holland et al.
5,128,829 A 7/1992 Loew

(Continued)

OTHER PUBLICATIONS

Wilson, M., "Is This the Next iPod Shuffle?", Gizmodo, accessed at <http://gizmodo.com/5583144/is-this-the-next-ipod-shuffle>, retrieved Dec. 17, 2010, 2 pages.

Primary Examiner — Prabhakar Deshmukh

(74) *Attorney, Agent, or Firm* — Sterne, Kessler, Goldstein & Fox PLLC

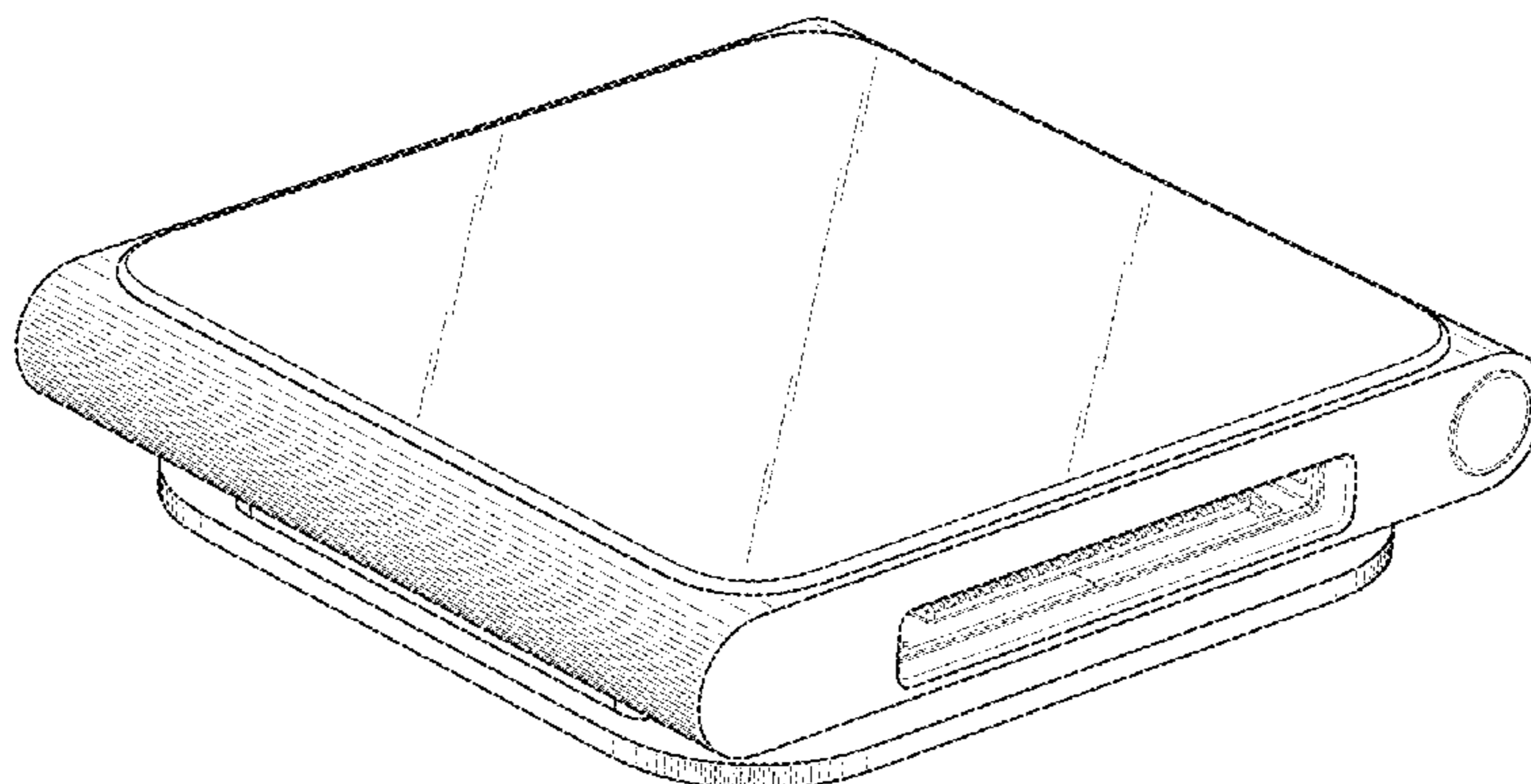
(57) **CLAIM**

The ornamental design for an electronic device, as shown and described.

DESCRIPTION

FIG. 1 is a front bottom perspective view of an electronic device showing our new design;
FIG. 2 is a rear bottom perspective view thereof;
FIG. 3 is a rear top perspective view thereof;
FIG. 4 is a front top perspective view thereof;
FIG. 5 is a front view thereof;
FIG. 6 is a rear view thereof;
FIG. 7 is a bottom view thereof;
FIG. 8 is a top view thereof;
FIG. 9 is a side view thereof; and,
FIG. 10 is another side view thereof.

1 Claim, 8 Drawing Sheets



(56)

References Cited

U.S. PATENT DOCUMENTS

D345,304 S 3/1994 Leader
 5,808,862 A 9/1998 Robbins
 D408,794 S 4/1999 Ogasawara
 6,122,526 A 9/2000 Parulski et al.
 D441,735 S 5/2001 Katayama
 6,254,477 B1 * 7/2001 Sasaki et al. 463/1
 6,354,477 B1 3/2002 Trummer
 D459,339 S 6/2002 Tong
 6,567,011 B1 5/2003 Young et al.
 6,595,860 B1 7/2003 Yamamoto et al.
 D478,076 S 8/2003 Hong
 D480,372 S * 10/2003 Chen et al. D14/507
 D488,472 S 4/2004 Haase et al.
 D489,052 S 4/2004 Shiraki et al.
 D490,796 S 6/2004 Allen
 D494,188 S 8/2004 Huang
 D512,977 S * 12/2005 Chan D14/500
 D513,512 S 1/2006 Tsai
 D513,611 S 1/2006 Hibi
 D516,579 S 3/2006 Nakamura
 D517,065 S 3/2006 Ko et al.

D521,460 S 5/2006 Shimizu
 D531,157 S * 10/2006 Lheem D14/138 AB
 D538,795 S * 3/2007 Wong et al. D14/240
 D542,784 S * 5/2007 Franck et al. D14/240
 D546,202 S 7/2007 Chang
 D555,171 S 11/2007 Dai
 D556,193 S 11/2007 Laituri et al.
 D559,860 S 1/2008 Andre et al.
 D559,861 S 1/2008 Andre et al.
 D560,228 S 1/2008 Andre et al.
 D563,434 S 3/2008 Dai
 D569,389 S 5/2008 Andre et al.
 D577,990 S 10/2008 Andre et al.
 D588,610 S 3/2009 Andre et al.
 D589,530 S 3/2009 Andre et al.
 D590,826 S 4/2009 Andre et al.
 D601,172 S 9/2009 Andre et al.
 D616,899 S 6/2010 Andre et al.
 D627,367 S 11/2010 Andre et al.
 D638,030 S 5/2011 Akana et al.
 D638,854 S 5/2011 Andre et al.
 D673,975 S * 1/2013 Akana et al. D14/496

* cited by examiner

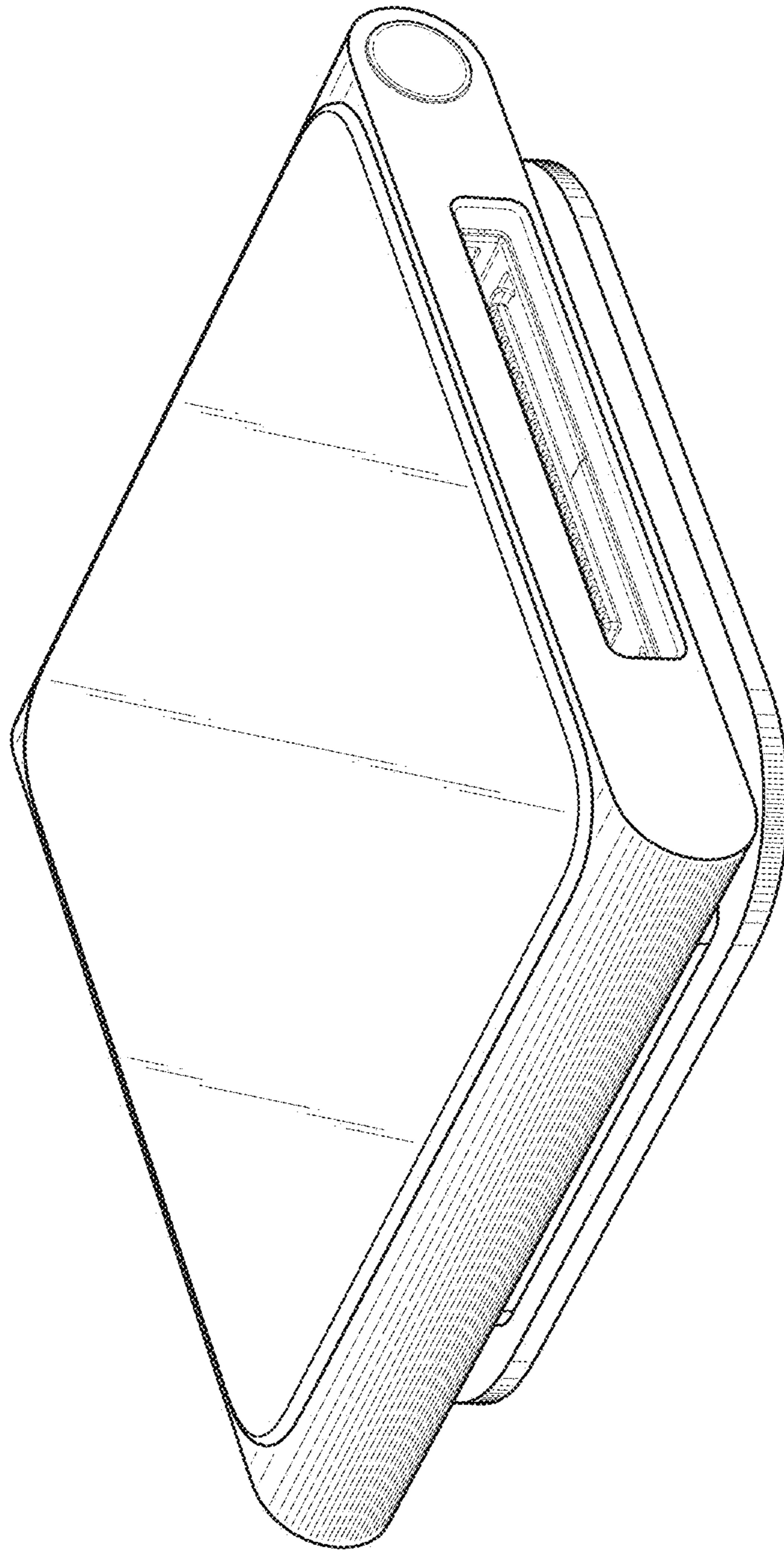


FIG. 1

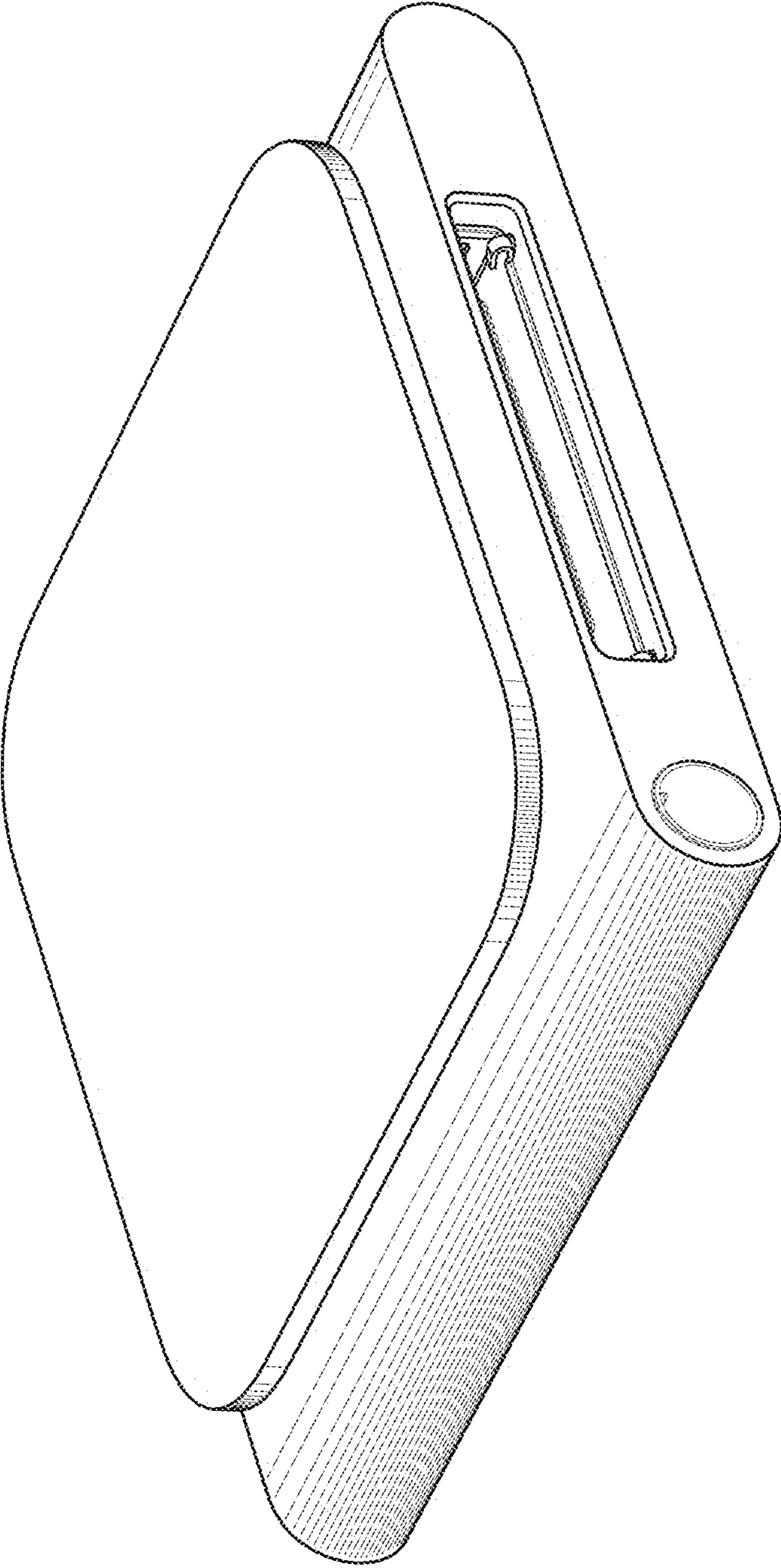


FIG.2

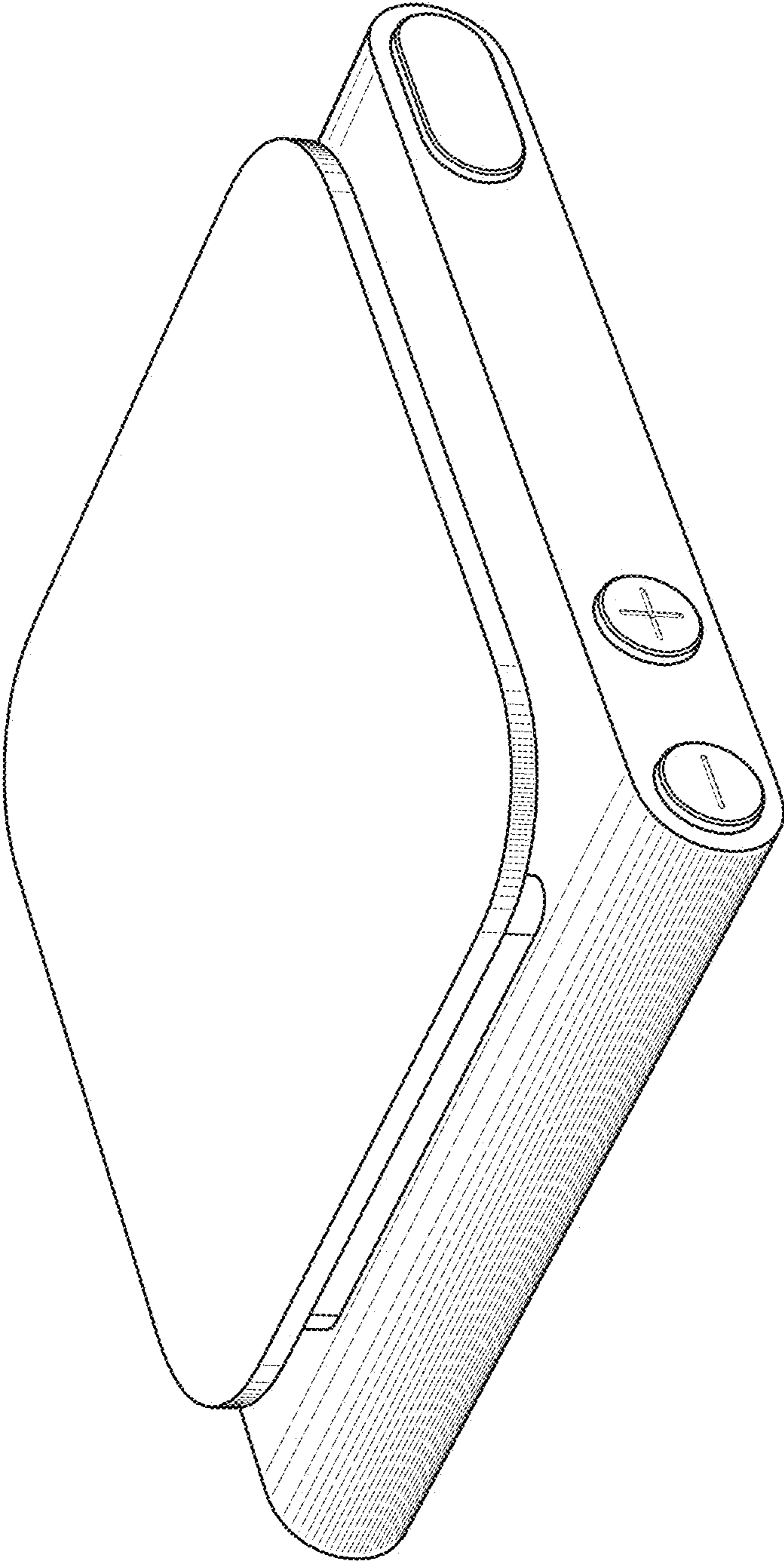


FIG. 3

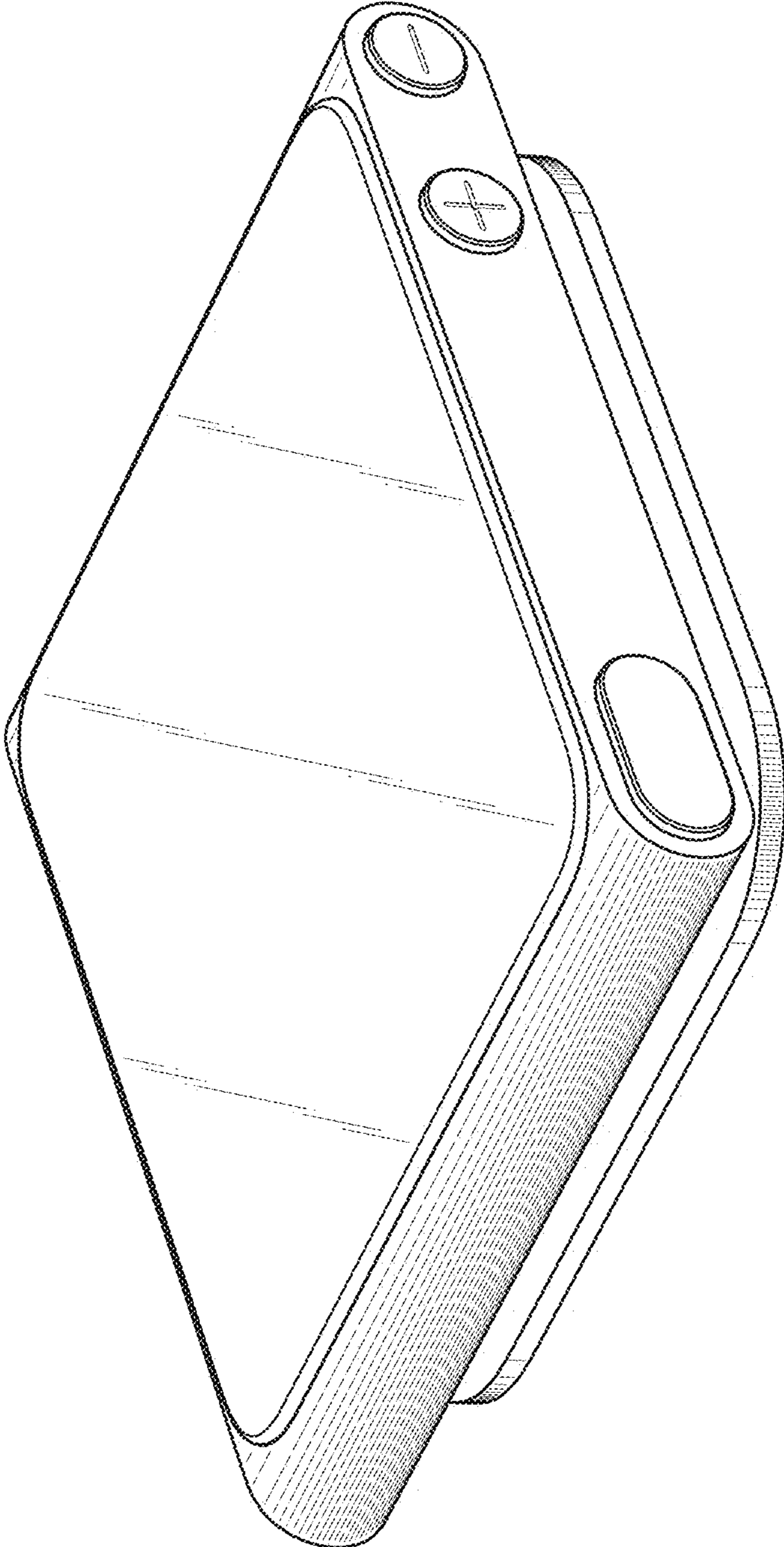


FIG.4

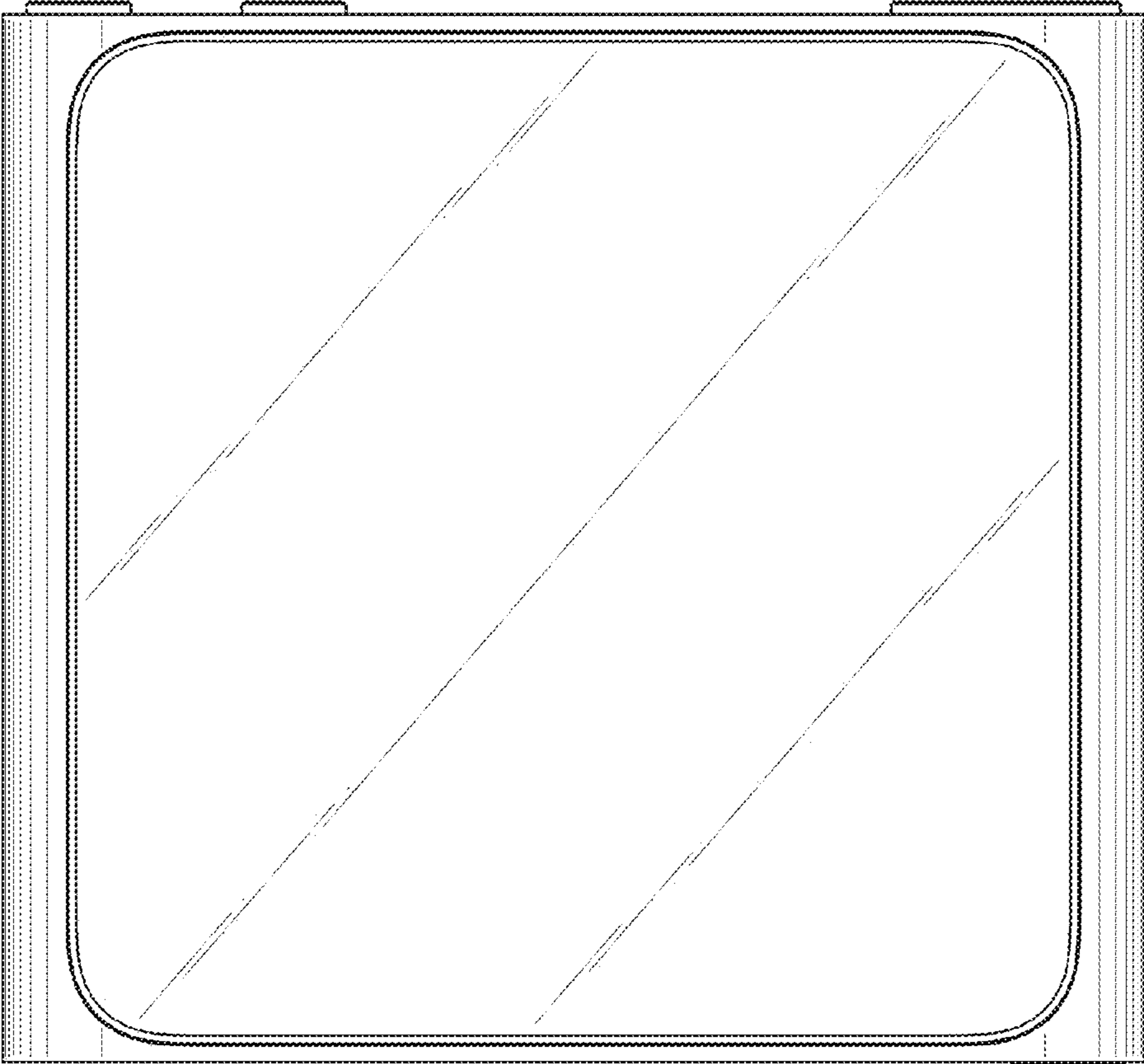


FIG.5

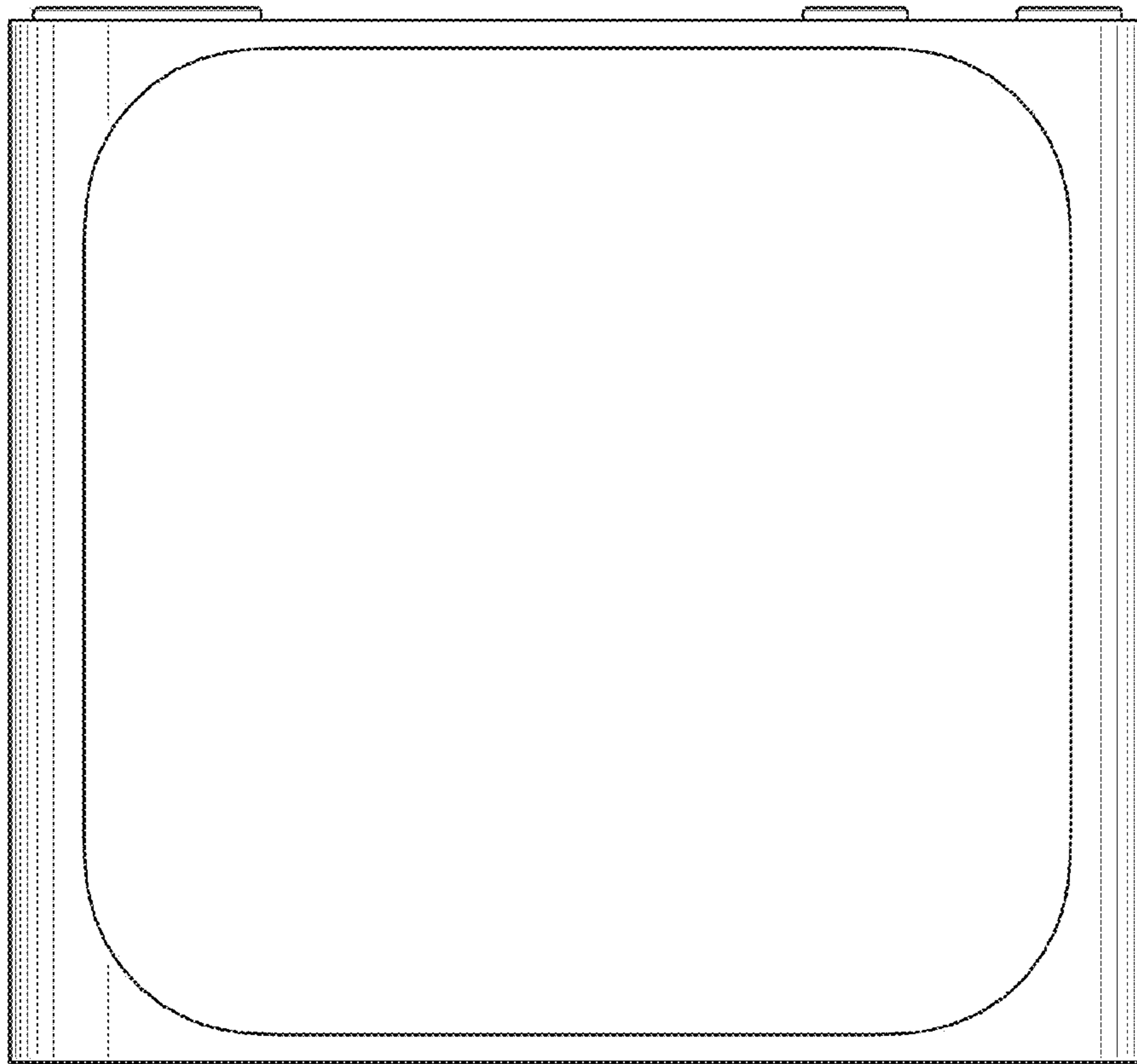


FIG. 6

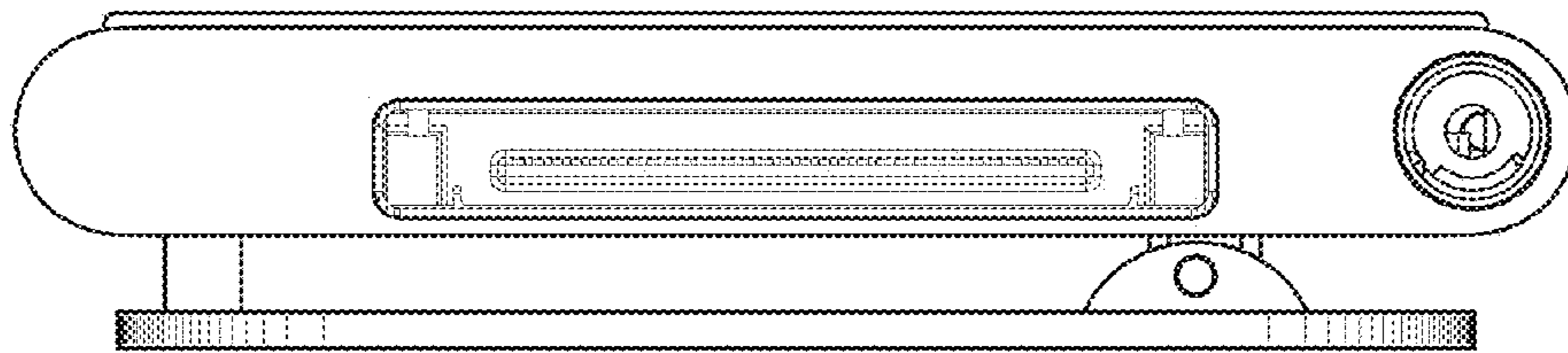


FIG. 7

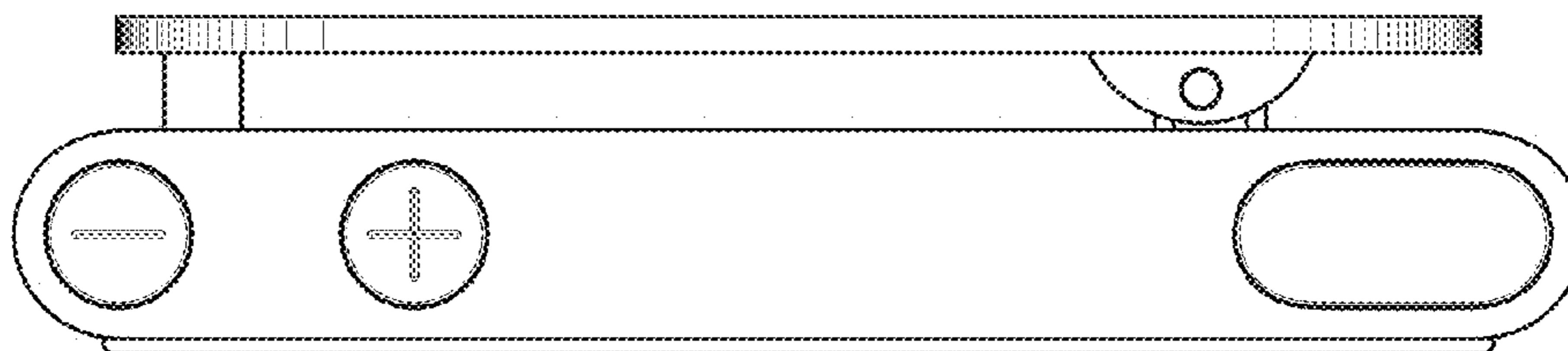


FIG. 8

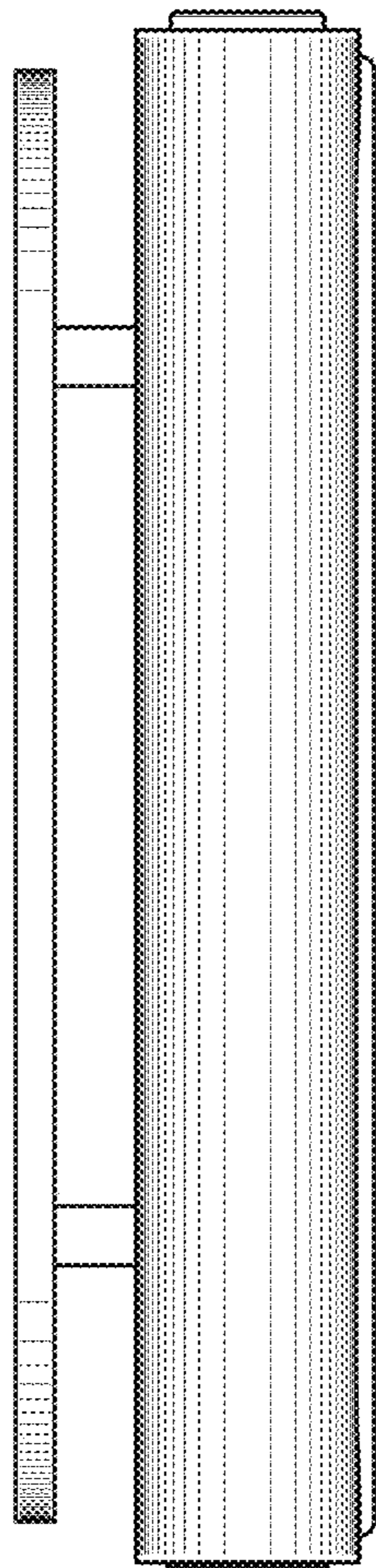


FIG. 9

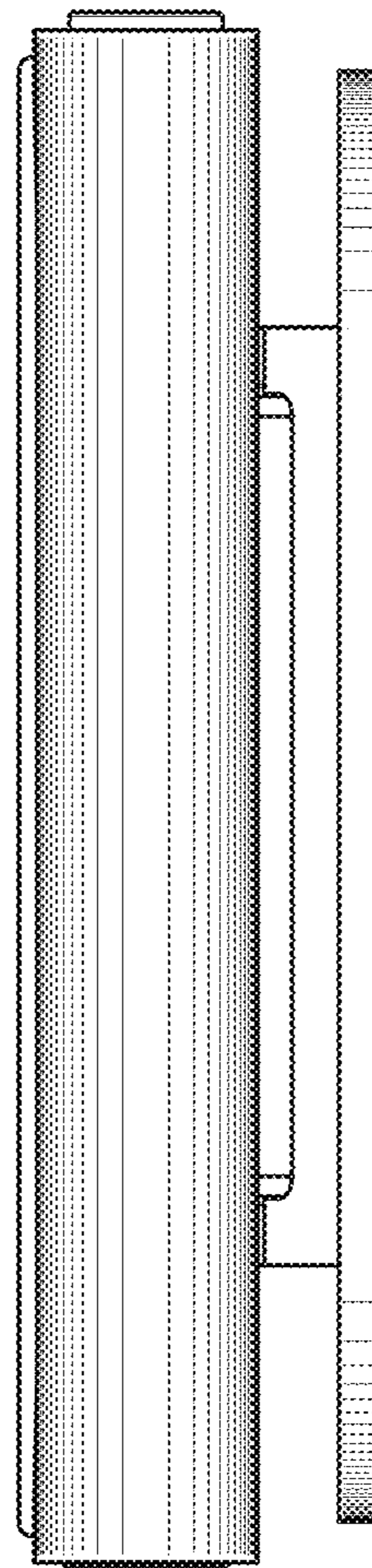


FIG. 10