



US00D690738S

(12) **United States Design Patent**  
**York**

(10) **Patent No.:** **US D690,738 S**

(45) **Date of Patent:** **\*\* Oct. 1, 2013**

(54) **PORTABLE ENCLOSURE**

(76) Inventor: **Douglas C. York**, Warrens, WI (US)

(\*\*) Term: **14 Years**

(21) Appl. No.: **29/426,290**

(22) Filed: **Jul. 3, 2012**

(51) **LOC (9) Cl.** ..... **14-03**

(52) **U.S. Cl.**  
USPC ..... **D14/496**; D14/188

(58) **Field of Classification Search**  
USPC ..... D14/496, 401, 435, 474, 483, 217,  
D14/137, 168, 138, 160, 356, 203.1-203.8,  
D14/507; 345/156, 169, 173-179, 905;  
715/727-729, 864; 710/1, 5, 8; 713/1, 600;  
455/1.1, 1, 7, 73, 344-347, 93, 95, 3.01-3.06,  
455/559.1, 573.1; 370/342-344; 369/1,  
369/2, 6-12; 463/43-47; 273/148 B  
See application file for complete search history.

(56) **References Cited**

**U.S. PATENT DOCUMENTS**

4,700,395	A *	10/1987	Long	.....	381/334
4,843,624	A *	6/1989	Rashak	.....	381/91
D334,285	S *	3/1993	Wilson	.....	D3/218
5,471,659	A *	11/1995	Wong	.....	455/132
5,862,468	A *	1/1999	Kim	.....	455/321
5,867,774	A *	2/1999	Summers et al.	.....	455/575.1

D476,638	S *	7/2003	Tsukahara	.....	D14/506
D540,300	S *	4/2007	Amid-Hozour	.....	D14/188
D551,679	S *	9/2007	Hayes	.....	D14/496
D563,431	S *	3/2008	Entner	.....	D14/496
D566,130	S *	4/2008	Entner	.....	D14/496
D582,416	S *	12/2008	Duarte et al.	.....	D14/434

\* cited by examiner

*Primary Examiner* — Prabhakar Deshmukh

(74) *Attorney, Agent, or Firm* — Whyte Hirschboeck Dudek S.C.

(57) **CLAIM**

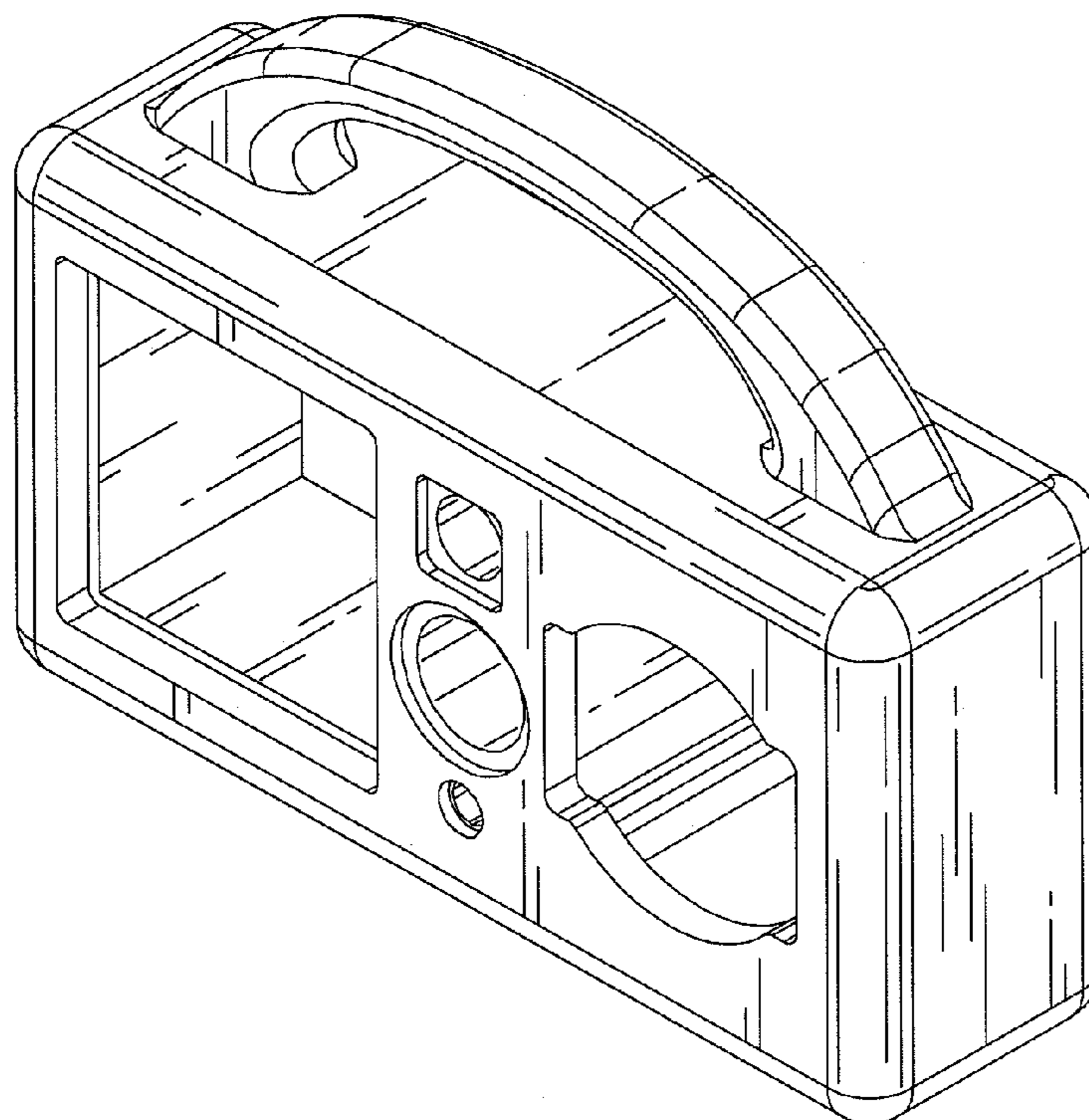
The ornamental design for a portable enclosure, as shown and described.

**DESCRIPTION**

FIG. 1 is a front perspective view of an embodiment of a portable enclosure;  
FIG. 2 is a front view thereof;  
FIG. 3 is a back view thereof;  
FIG. 4 is a left side view thereof;  
FIG. 5 is a right side view thereof;  
FIG. 6 is a top view thereof; and,  
FIG. 7 is a bottom view thereof.

The broken lines shown in the drawings illustrate unclaimed portions of the portable enclosure and form no part of the claimed design.

**1 Claim, 4 Drawing Sheets**



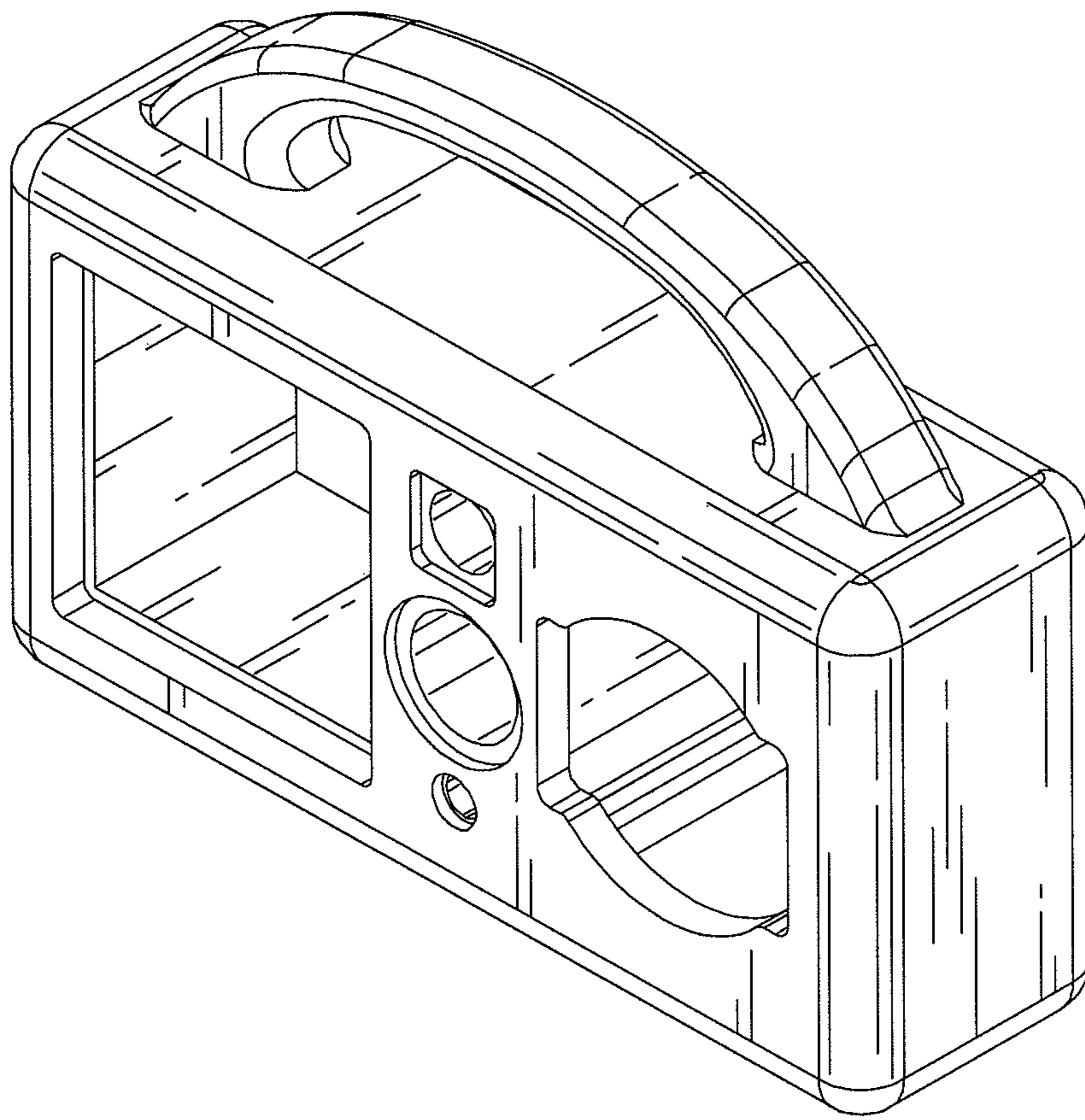


FIG. 1

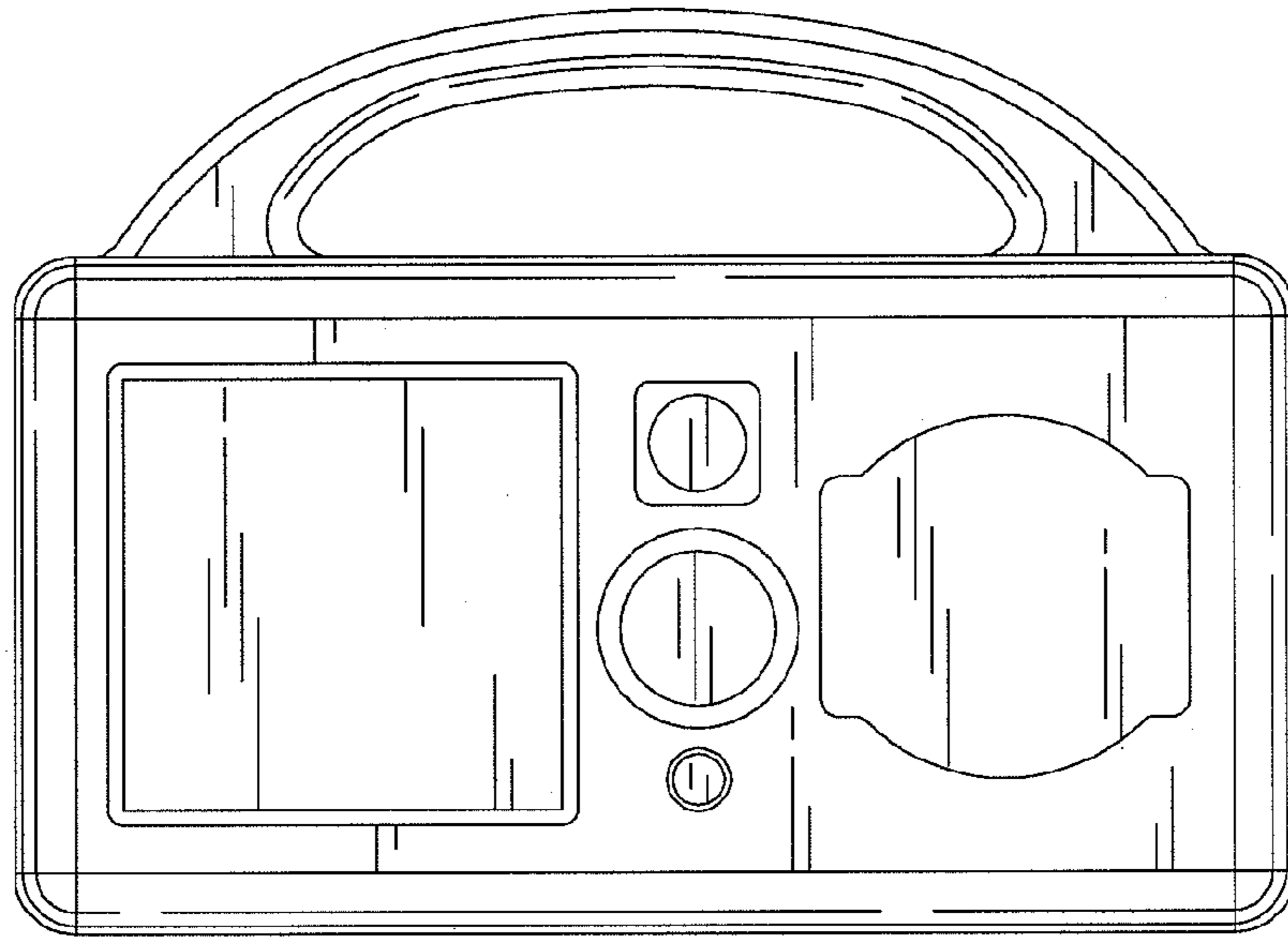


FIG. 2

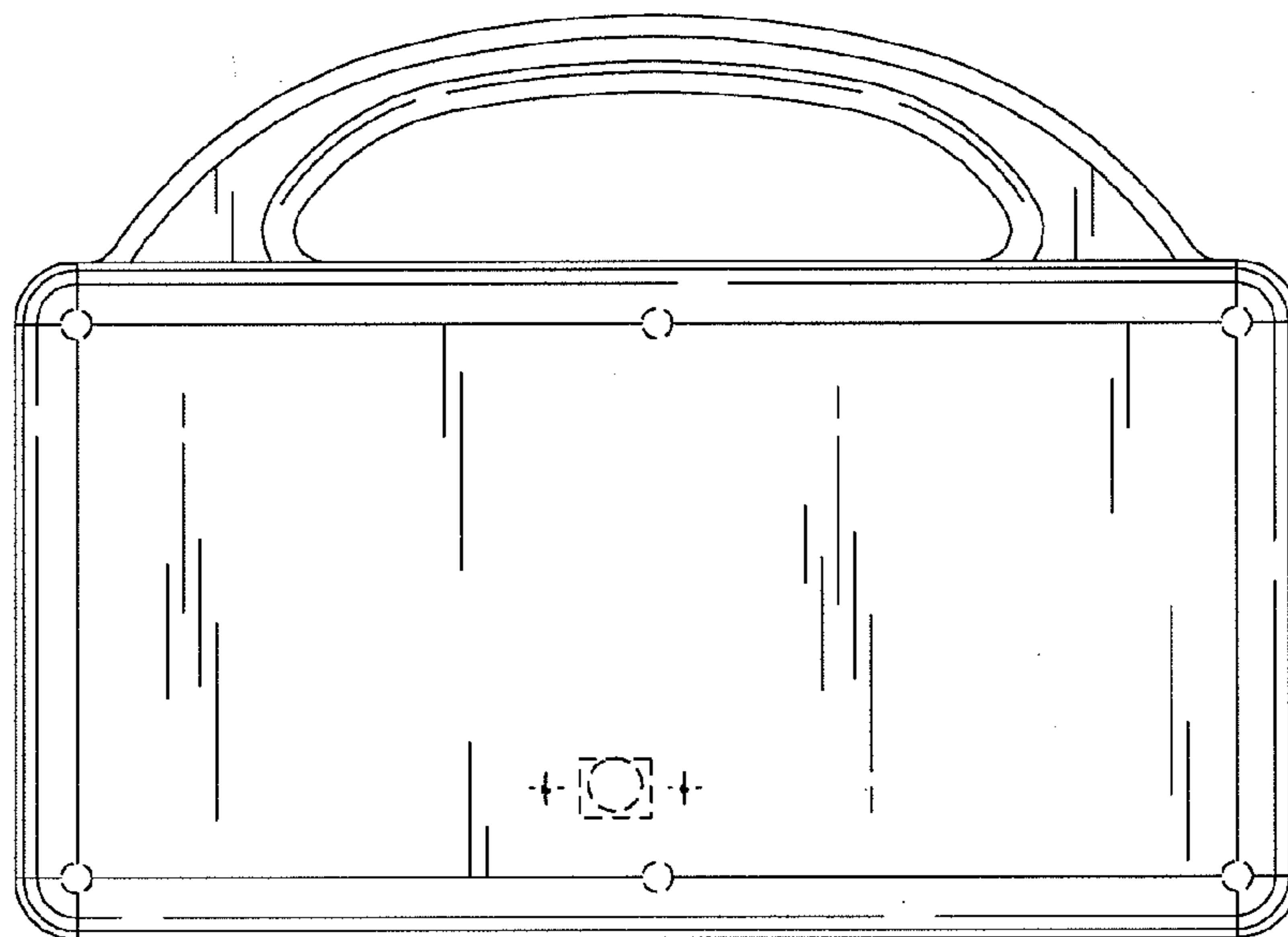


FIG. 3

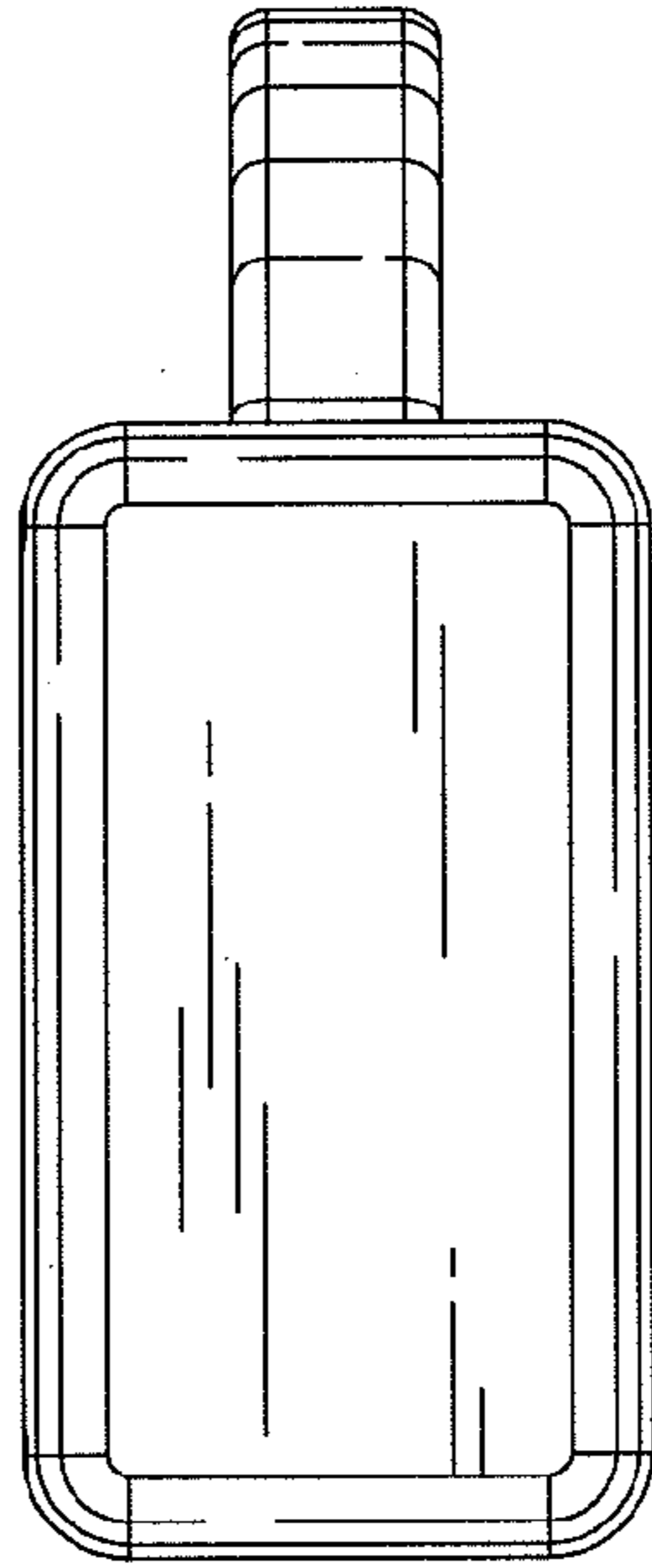


FIG. 4

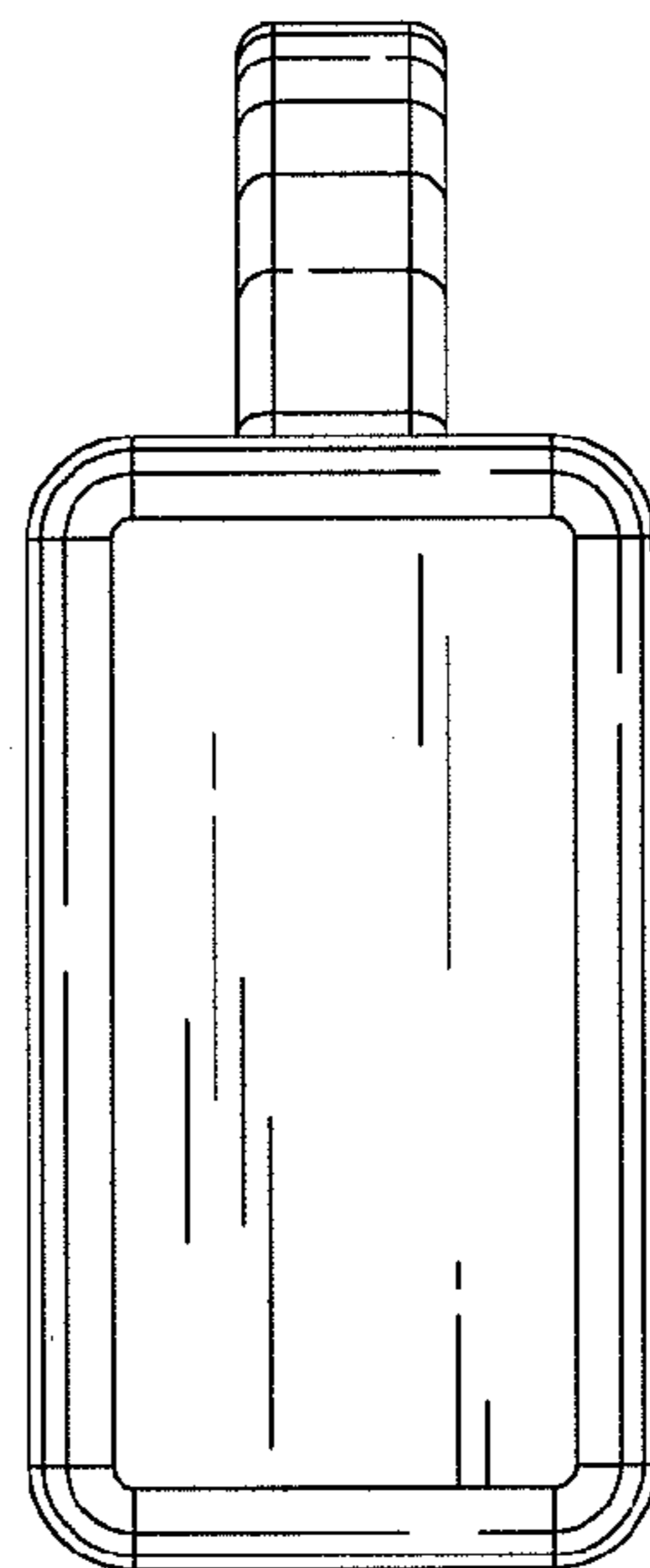


FIG. 5

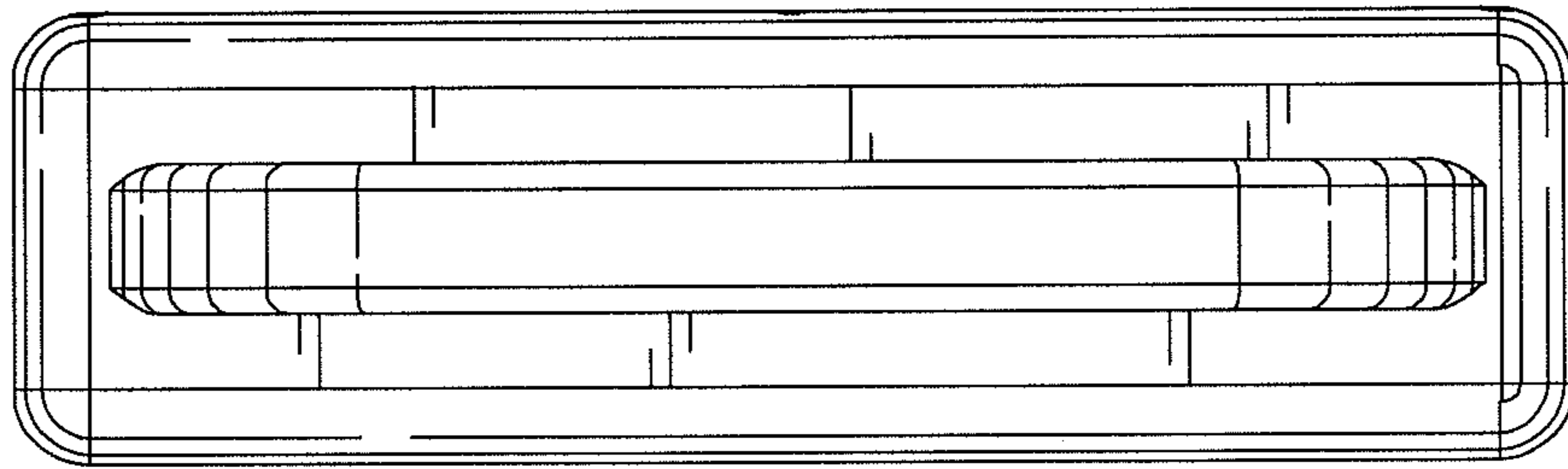


FIG. 6

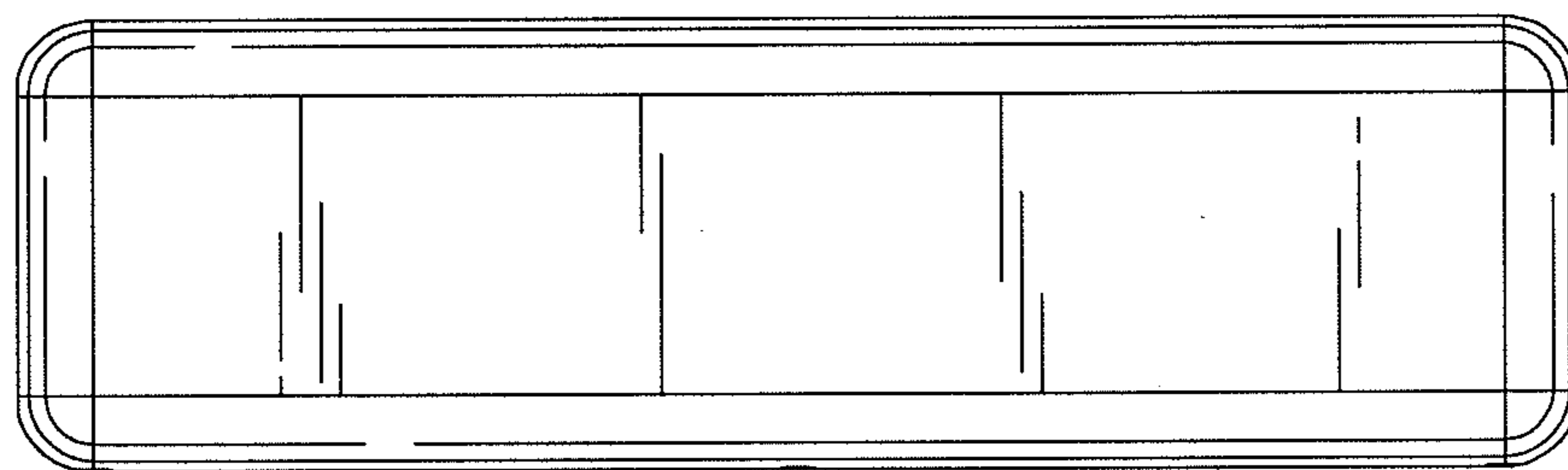


FIG. 7