

US00D690736S

(12) **United States Design Patent**  
**Jang et al.**

(10) **Patent No.:** **US D690,736 S**  
(45) **Date of Patent:** **\*\* Oct. 1, 2013**

(54) **PORTION OF A DISPLAY SCREEN WITH  
ICON**

(75) Inventors: **Chul-Ho Jang**, Seoul (KR); **Joong-Hun  
Kwon**, Seoul (KR); **Hyung-Joo Jin**,  
Seoul (KR)

(73) Assignee: **Samsung Electronics Co., Ltd.**,  
Suwon-si (KR)

(\*\*) Term: **14 Years**

(21) Appl. No.: **29/428,858**

(22) Filed: **Aug. 3, 2012**

(30) **Foreign Application Priority Data**

Mar. 29, 2012 (KR) ..... 30-2012-0014944

(51) **LOC (9) Cl.** ..... **14-04**

(52) **U.S. Cl.**  
USPC ..... **D14/489**

(58) **Field of Classification Search**  
USPC ..... D14/485-495; D5/30, 41, 63, 65,  
D5/66; D19/5-8; D20/11; 345/440-442;  
715/211, 215, 706, 719, 733, 763, 770, 773,  
715/777, 779, 782, 783, 786, 792, 793, 809,  
715/810, 835, 846, 867, 976, 977  
See application file for complete search history.

(56) **References Cited**

**U.S. PATENT DOCUMENTS**

D439,584 S \* 3/2001 Wang et al. .... D14/486  
6,768,488 B1 \* 7/2004 Kotani et al. .... 345/441  
D502,184 S \* 2/2005 Glezer et al. .... D14/486

6,891,540 B2 \* 5/2005 Liao et al. .... 345/441  
D593,108 S \* 5/2009 Danton ..... D14/485  
D594,465 S \* 6/2009 Hong et al. .... D14/486  
D595,310 S \* 6/2009 Sands et al. .... D14/488  
D599,358 S \* 9/2009 Hoefnagels et al. .... D14/485  
D643,851 S \* 8/2011 Arnold et al. .... D14/487  
D645,875 S \* 9/2011 Cavanaugh et al. .... D14/488  
D649,156 S \* 11/2011 Rothenberg ..... D14/489  
D676,868 S \* 2/2013 Wagner ..... D14/489  
D677,275 S \* 3/2013 Wujcik et al. .... D14/492  
2003/0137513 A1 \* 7/2003 Yin et al. .... 345/440  
2010/0002003 A1 \* 1/2010 Yamauchi ..... 345/441  
2010/0146387 A1 \* 6/2010 Hoover ..... 715/702  
2011/0265028 A1 \* 10/2011 Hong et al. .... 715/779

\* cited by examiner

*Primary Examiner* — Karen S Acker

(74) *Attorney, Agent, or Firm* — NSIP Law

(57) **CLAIM**

The ornamental design for a portion of a display screen with icon, as shown and described.

**DESCRIPTION**

FIG. 1 is a front view of a portion of a display screen with icon. The broken lines surrounding the design represent the boundaries of the claim and form no part thereof; and, FIG. 2 is a front view of the portion of a display screen with icon of FIG. 1 showing the design in an environment of use on an unclaimed mobile terminal drawn in broken lines. The unclaimed mobile terminal includes symbols and features drawn in broken lines that form no part of the claimed design. The size and the scale of the design within the environment of use in FIG. 2 form no part of the display screen with icon.

**1 Claim, 2 Drawing Sheets**

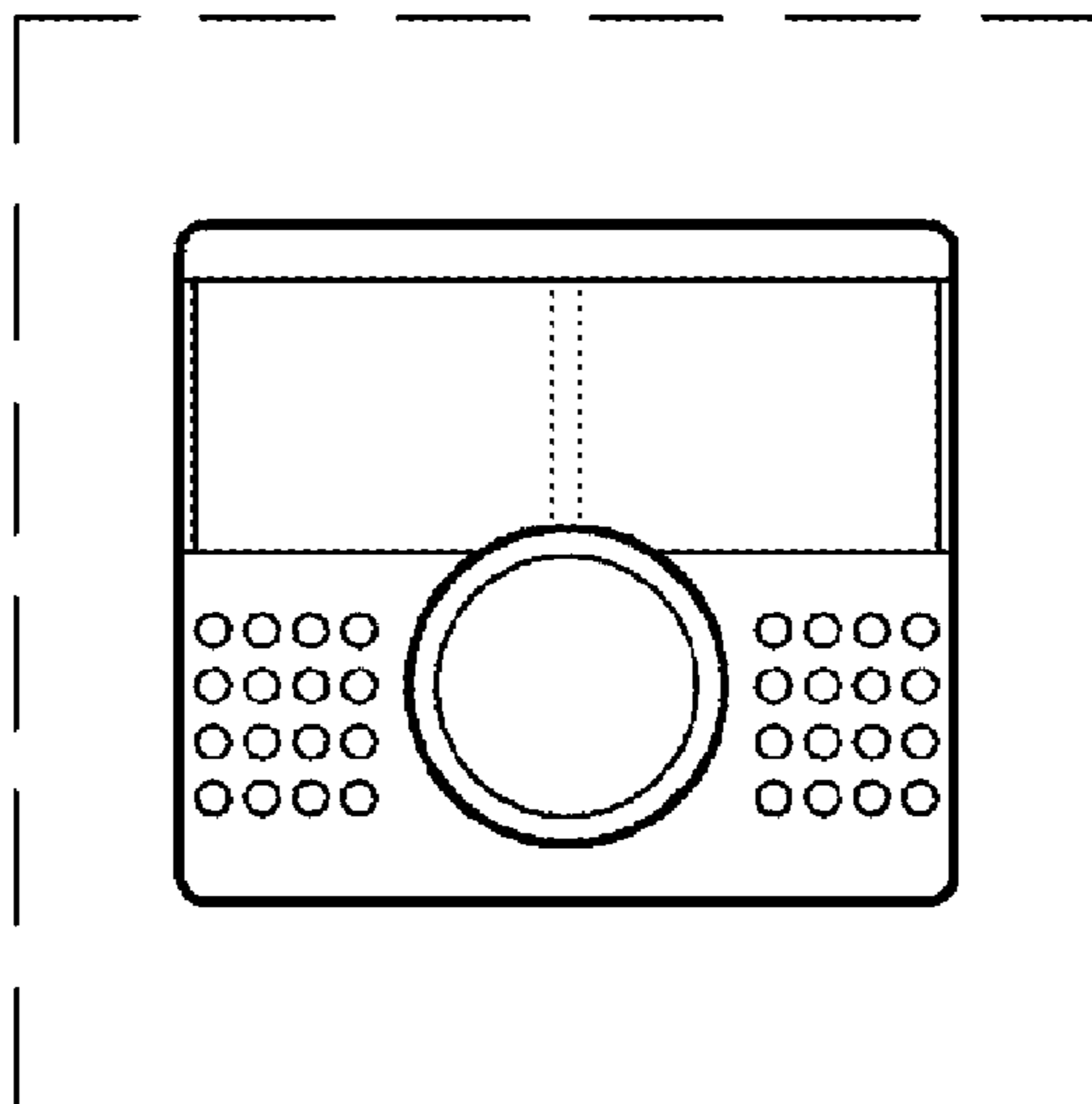


FIG. 1

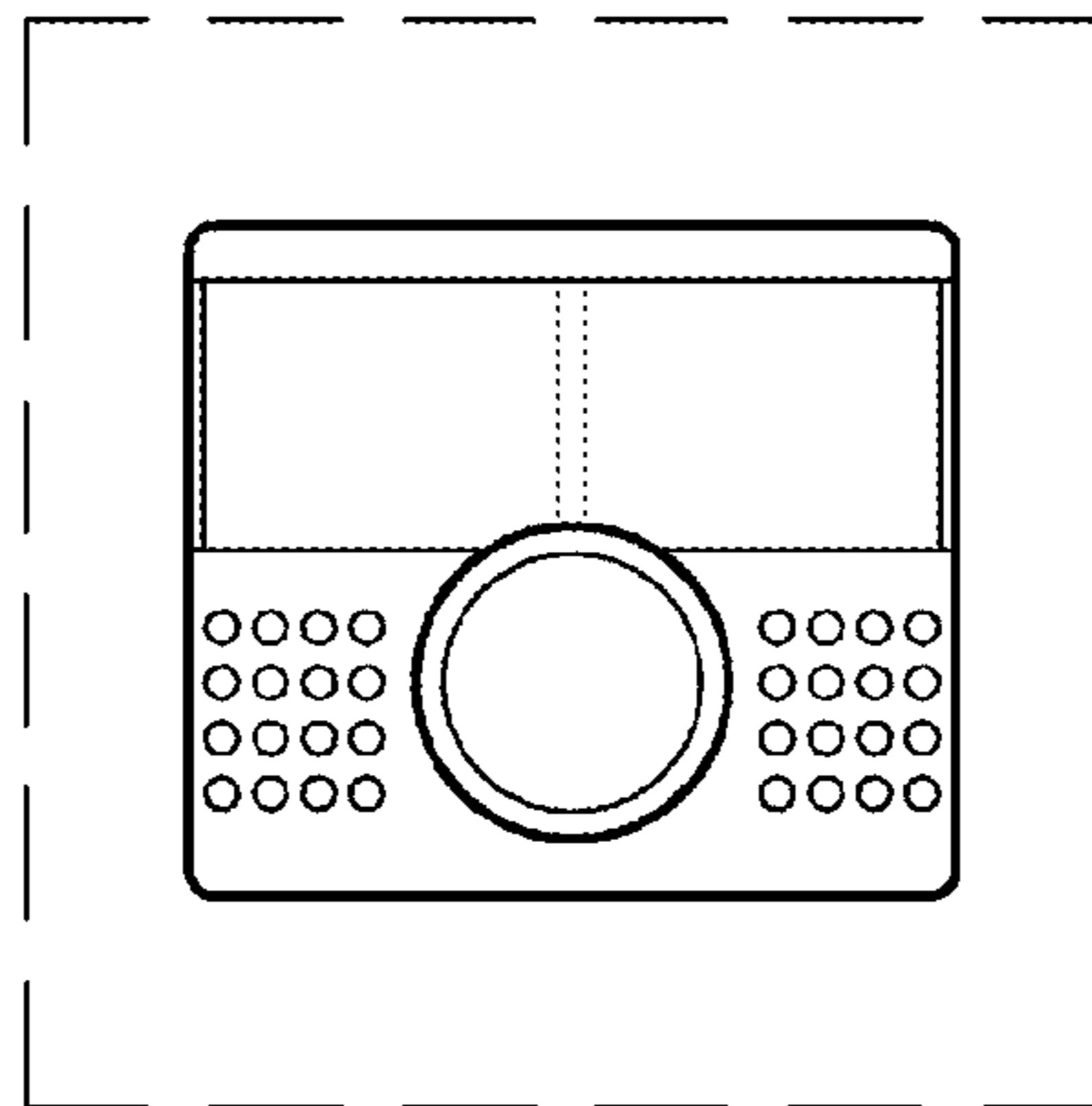


FIG. 2

