



US00D690734S

(12) **United States Design Patent**  
**Tseng**

(10) **Patent No.:** **US D690,734 S**

(45) **Date of Patent:** **\*\* Oct. 1, 2013**

(54) **SCREEN FOR A MOBILE TERMINAL DEVICE**

2003/0076369 A1\* 4/2003 Resner et al. .... 345/864  
2005/0240879 A1\* 10/2005 Law et al. .... 715/773  
2005/0268251 A1\* 12/2005 Bennetts et al. .... 715/810

(75) Inventor: **Feilang Tseng**, Kyoto (JP)

\* cited by examiner

(73) Assignee: **Omron Healthcare Co., Ltd.**, Kyoto (JP)

*Primary Examiner* — Karen S Acker

(74) *Attorney, Agent, or Firm* — Capitol City TechLaw

(\*\*) Term: **14 Years**

(57) **CLAIM**

The ornamental design for a screen for a mobile terminal device, as shown and described.

(21) Appl. No.: **29/426,764**

**DESCRIPTION**

(22) Filed: **Jul. 10, 2012**

(30) **Foreign Application Priority Data**

Jan. 11, 2012 (JP) ..... 2012-000348

The file of this patent contains a least one drawing/photograph executed in color. Copies of this patent with color drawings/photographs will be provided by the United States Patent and Trademark Office upon request and payment of the necessary fee.

(51) **LOC (9) Cl.** ..... **14-04**

FIG. 1 is a front, top, and right side perspective view of a screen for a mobile terminal device showing my new design;

(52) **U.S. Cl.**  
USPC ..... **D14/489**

FIG. 2 is a front view thereof;

(58) **Field of Classification Search**  
USPC ..... D14/485–495; D5/30, 41, 63, 65, D5/66; D19/5–8; D20/11; 345/440–442; 715/211, 215, 706, 719, 733, 763, 770, 773, 715/777, 779, 782, 783, 786, 792, 793, 809, 715/810, 835, 846, 867, 976, 977  
See application file for complete search history.

FIG. 3 is a reference view of FIG. 2;

FIG. 4 is a rear view thereof;

FIG. 5 is a top view thereof;

FIG. 6 is a bottom view thereof;

FIG. 7 is a right side view thereof;

FIG. 8 is a left side view thereof; and,

FIG. 9 is an enlarged detail view of the area 9 circumscribed on FIG. 3 of the screen for a mobile terminal device. The broken lines surrounding the detail in FIGS. 3 and 9 form no part of the claimed design.

(56) **References Cited**

**U.S. PATENT DOCUMENTS**

5,872,553 A \* 2/1999 Strickling, III ..... 345/619  
6,826,774 B1 \* 11/2004 Holme ..... 725/39  
D542,301 S \* 5/2007 Harvey ..... D14/489  
D555,164 S \* 11/2007 Sergio ..... D14/486  
D560,225 S \* 1/2008 Park et al. .... D14/485  
D587,277 S \* 2/2009 Park et al. .... D14/485  
D625,733 S \* 10/2010 Anzures ..... D14/486  
D665,422 S \* 8/2012 Morrow et al. .... D14/492  
D675,637 S \* 2/2013 Willard ..... D14/486  
D677,180 S \* 3/2013 Plitkins et al. .... D10/50

The outer solid line perimeter of the design shown in FIGS. 1-3 represents the boundaries of the claim. The broken lines in the figures including text and symbols drawn in broken line within the solid line boundary in the figures represent portions of the screen for a mobile terminal device that form no part of the claimed design.

**1 Claim, 9 Drawing Sheets**  
**(4 of 9 Drawing Sheet(s) Filed in Color)**

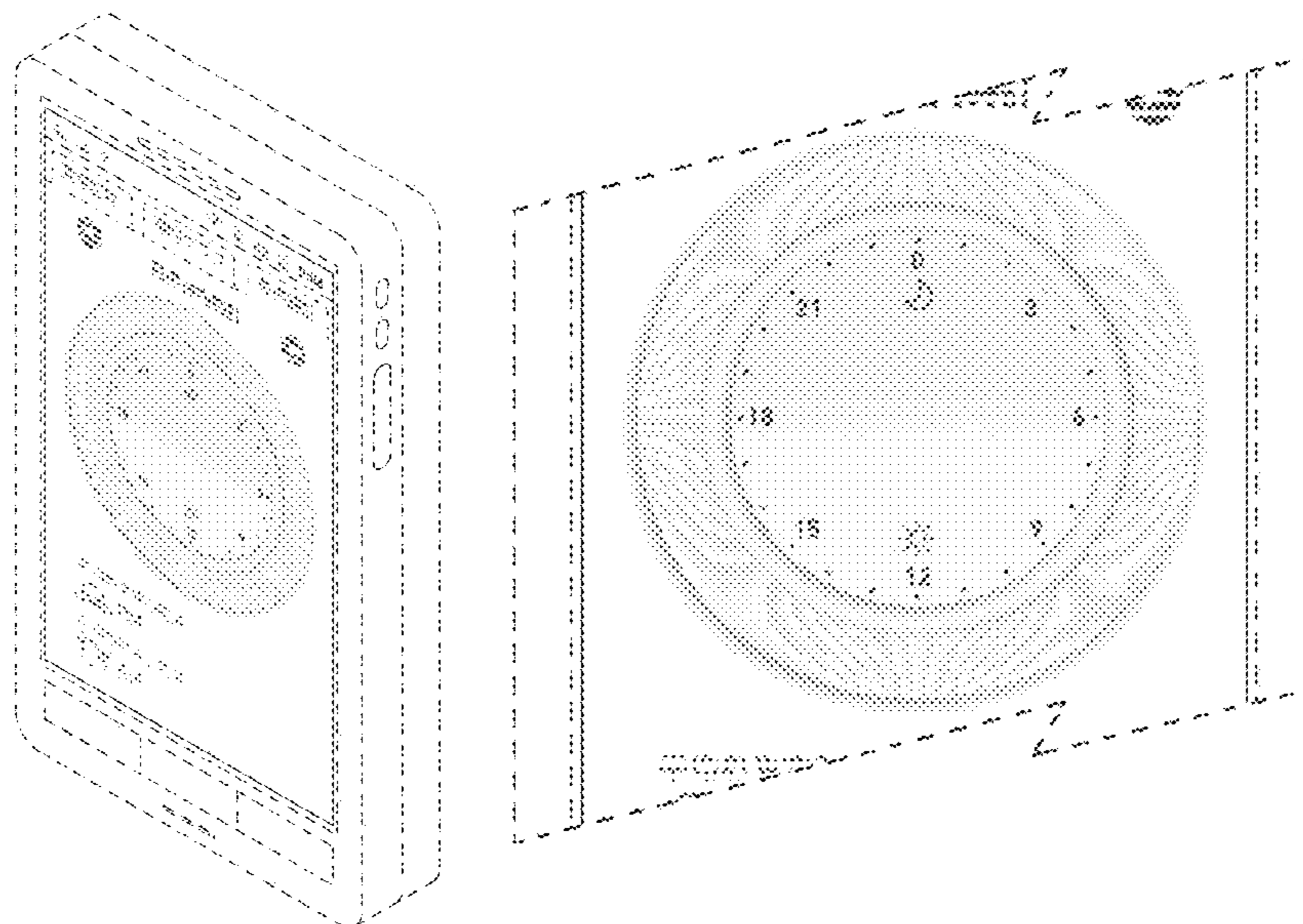


FIG. 1

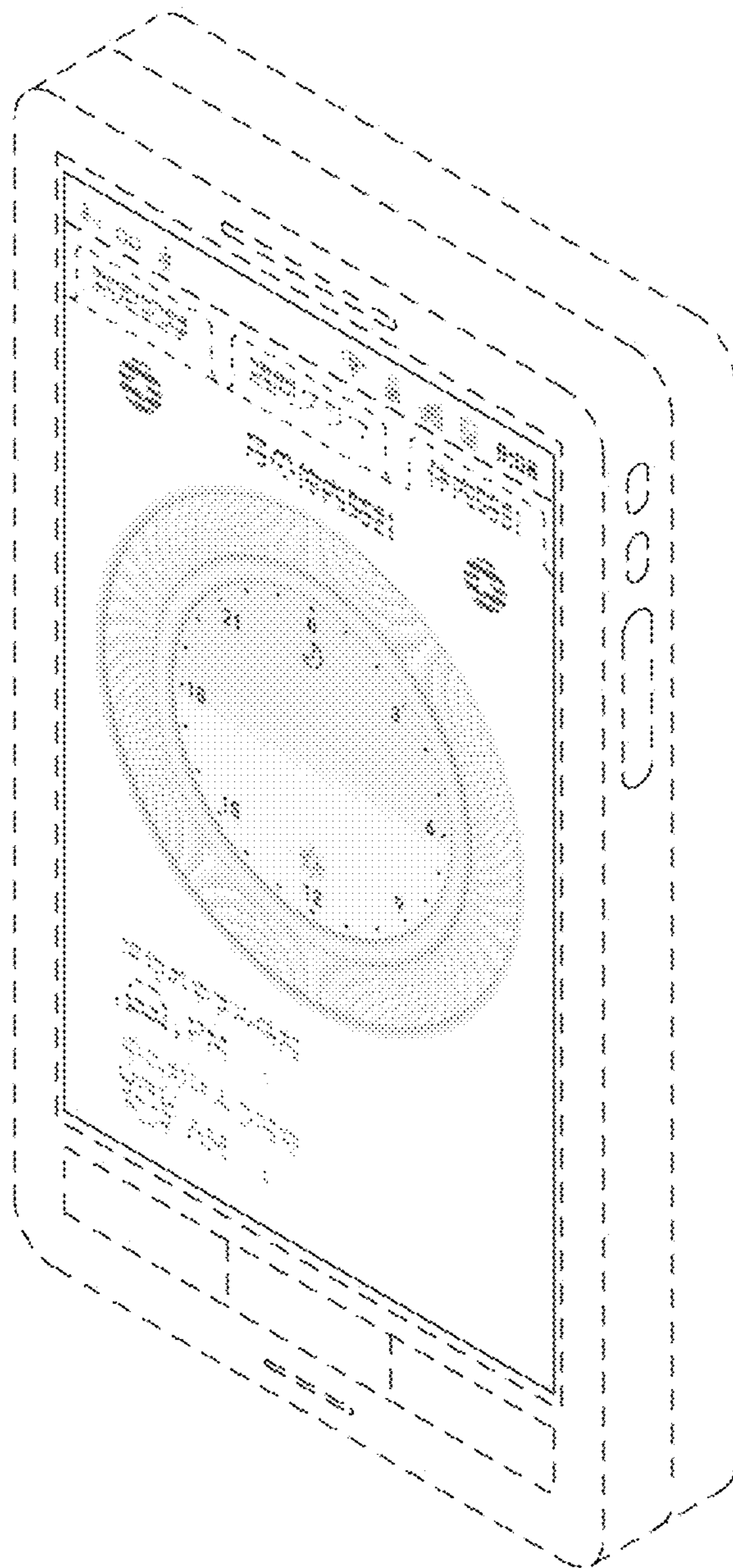


FIG.2

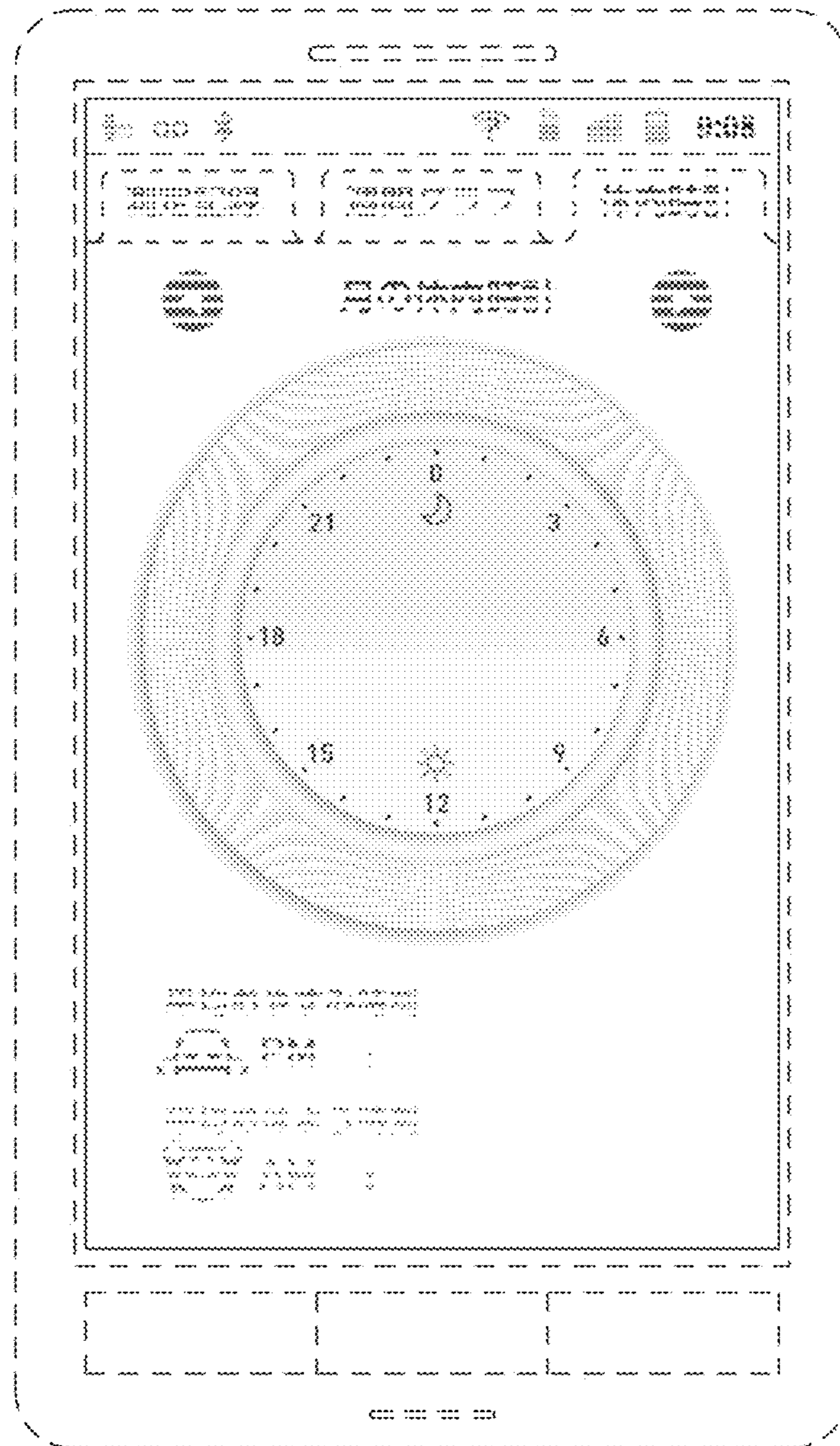


FIG.3

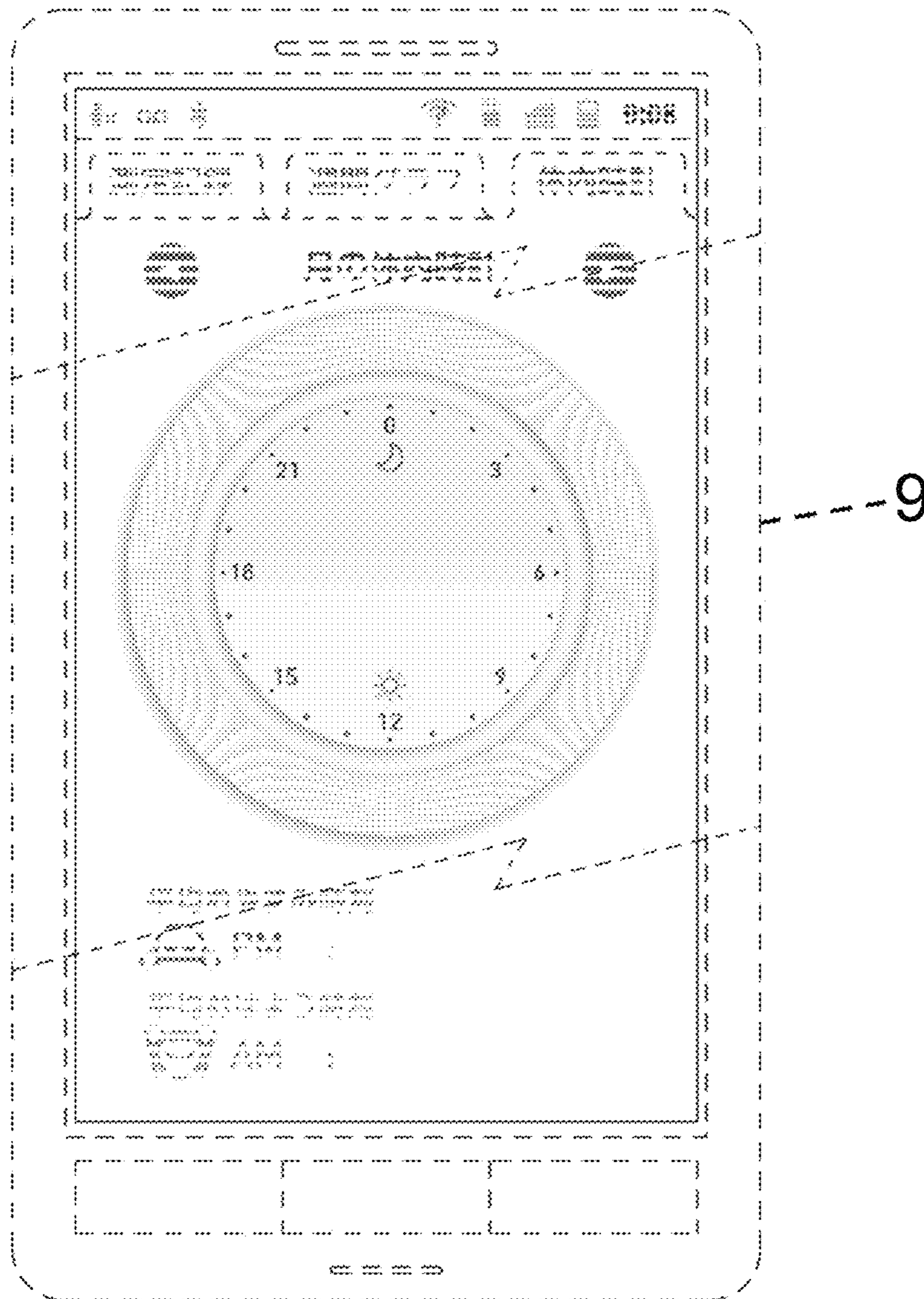


FIG.4

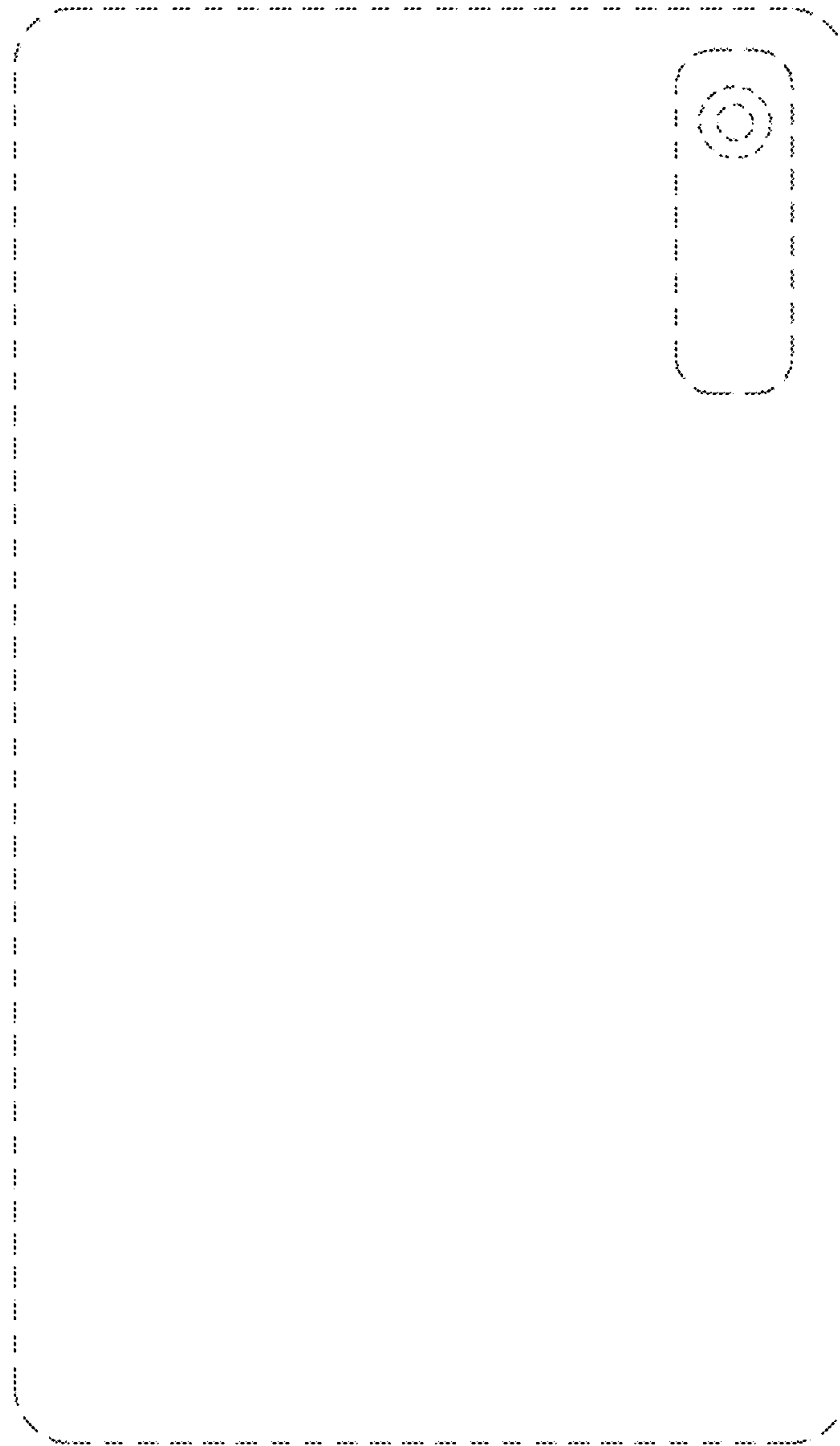


FIG.5

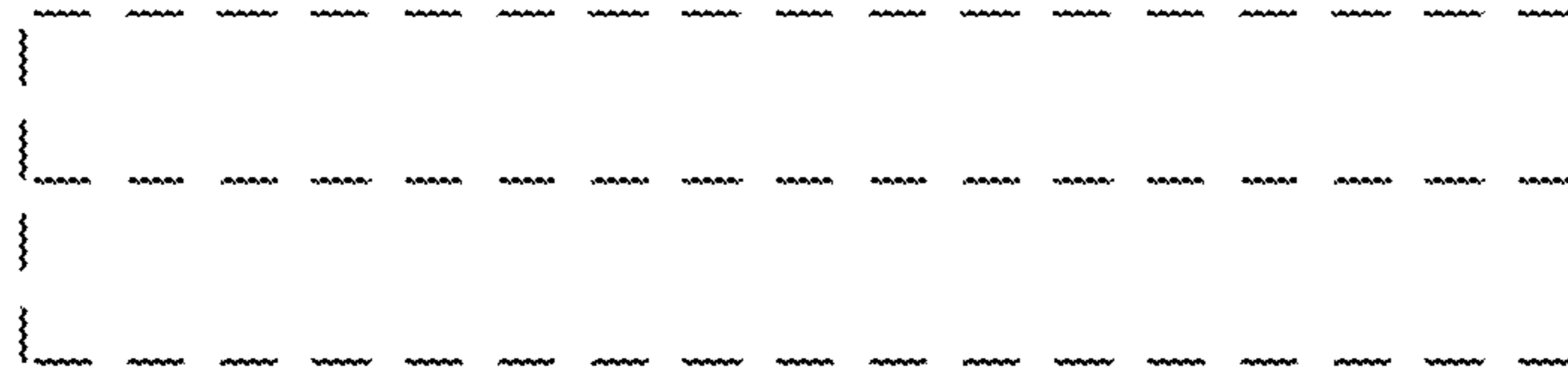


FIG.6

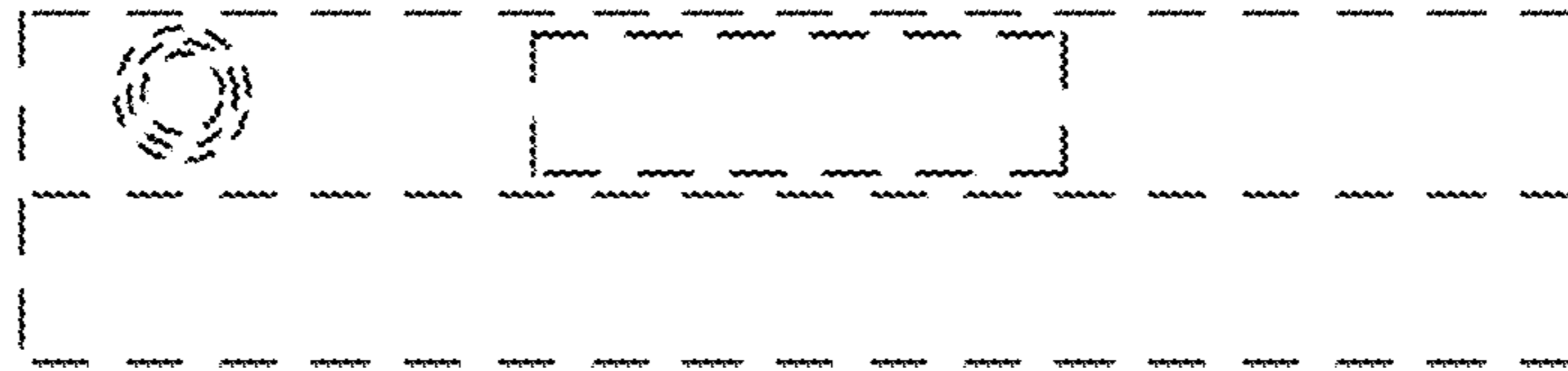


FIG.7

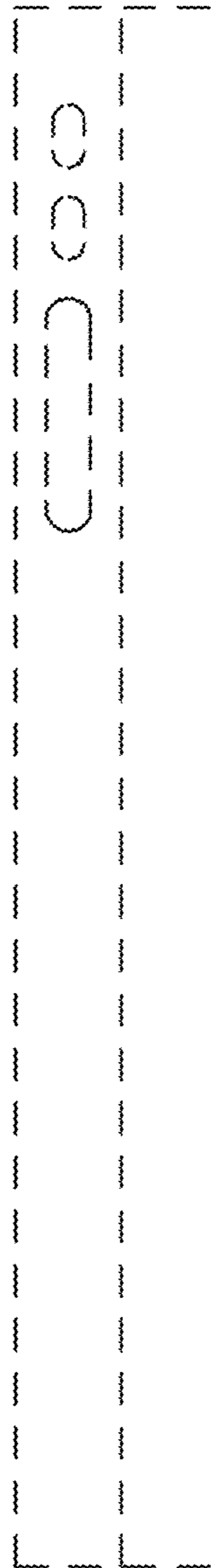




FIG.8



FIG.9

