



US00D690712S

(12) **United States Design Patent**  
**Wenz et al.**

(10) **Patent No.:** **US D690,712 S**  
(45) **Date of Patent:** **\*\* Oct. 1, 2013**

(54) **DISPLAY SCREEN WITH A GRAPHICAL INTERFACE**

(75) Inventors: **Oliver C. Wenz**, Petaluma, CA (US);  
**Michael J. Manning**, Campbell, CA (US); **Ji hyun Kim**, Alameda, CA (US)

(73) Assignee: **Cisco Technology, Inc.**, San Jose, CA (US)

(\*\*) Term: **14 Years**

(21) Appl. No.: **29/380,018**

(22) Filed: **Nov. 29, 2010**

(51) **LOC (9) Cl.** ..... **14-04**

(52) **U.S. Cl.**  
USPC ..... **D14/485**

(58) **Field of Classification Search**  
USPC ..... D14/485-488, 495; D18/31-33;  
D20/10, 11, 22, 23, 25, 27, 32; 715/751-753,  
715/756, 758, 759  
See application file for complete search history.

(56) **References Cited**

**U.S. PATENT DOCUMENTS**

D2,911 S *	2/1868	Gautier	.....	D20/22
D2,945 S *	3/1868	Parker et al.	.....	D20/23
D10,667 S *	5/1878	Ihlenburg	.....	D18/32
3,500,335 A *	3/1970	Cuccio	.....	358/1.1
5,375,068 A *	12/1994	Palmer et al.	.....	709/204
5,617,539 A *	4/1997	Ludwig et al.	.....	709/205
D388,777 S *	1/1998	Newton et al.	.....	D14/487
D391,298 S *	2/1998	Johnson et al.	.....	D20/10
D391,558 S *	3/1998	Marshall et al.	.....	D14/486

(Continued)

**OTHER PUBLICATIONS**

Design U.S. Appl. No. 29/380,005, filed Nov. 29, 2010, entitled "Interface Element," Inventor(s): Oliver C. Wenz et al.

(Continued)

*Primary Examiner* — Karen E Kearney

(57) **CLAIM**

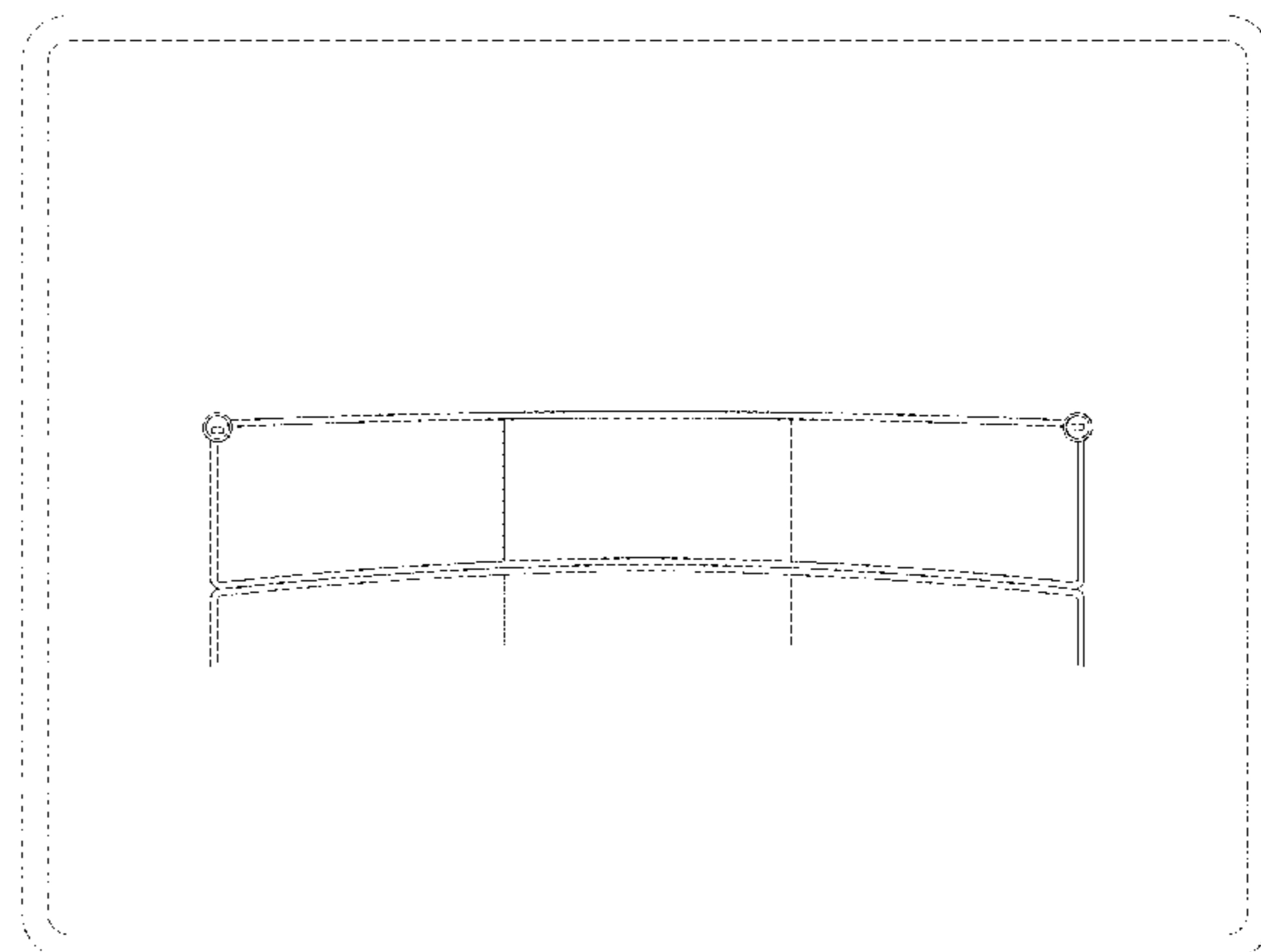
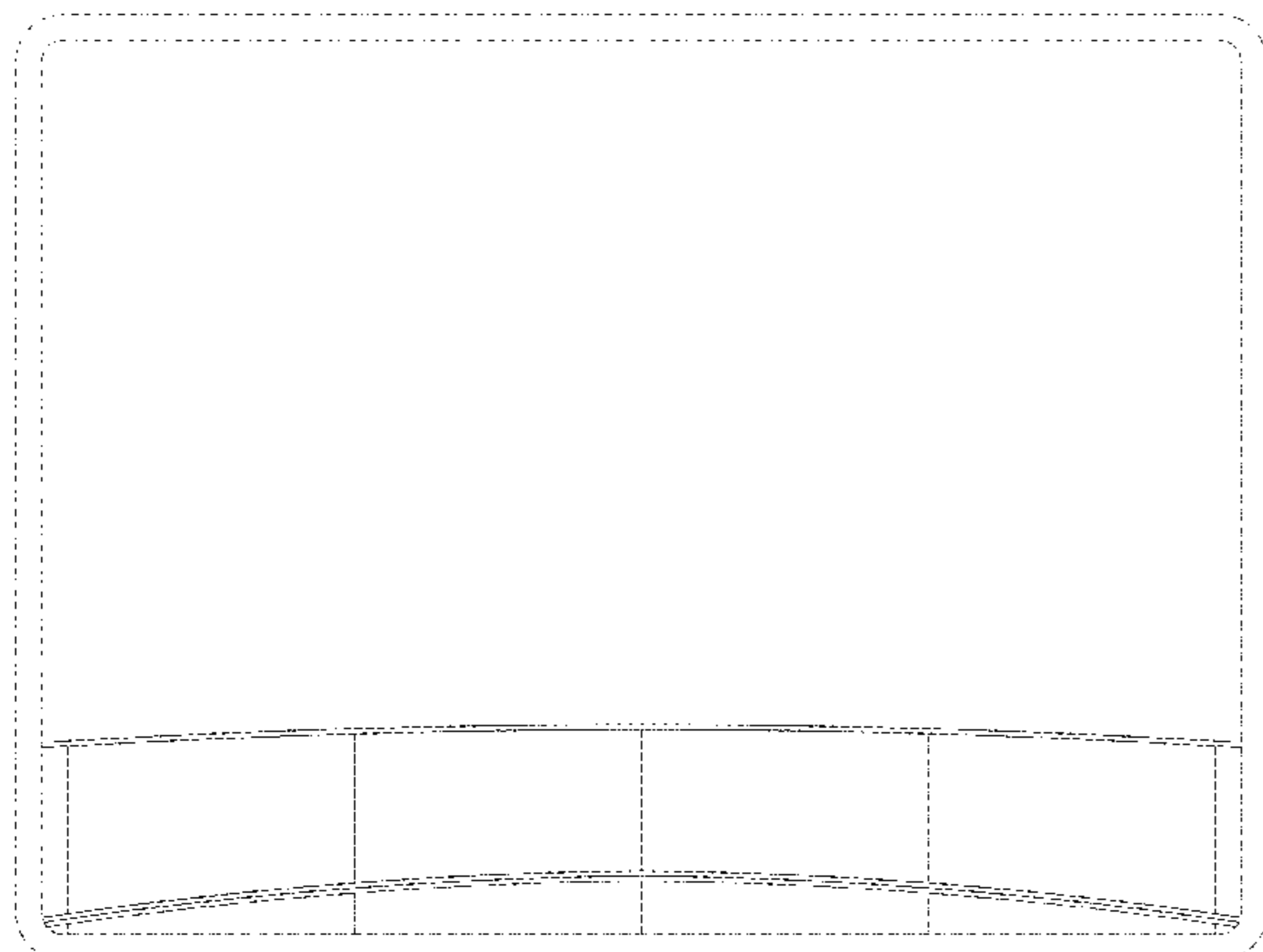
The ornamental design for a display screen with a graphical interface, as shown and described.

**DESCRIPTION**

FIG. 1 is a perspective view illustrating a display screen with a graphical interface according to one embodiment;  
 FIG. 2 is a front view thereof;  
 FIG. 3 is a perspective view illustrating a display screen with a graphical interface according to a second embodiment;  
 FIG. 4 is a front view thereof;  
 FIG. 5 is a perspective view of the second embodiment, shown in a different placement in the environment;  
 FIG. 6 is a front view thereof;  
 FIG. 7 is a perspective view illustrating a display screen with a graphical interface according to a third embodiment;  
 FIG. 8 is a front view thereof;  
 FIG. 9 is a perspective view illustrating a display screen with a graphical interface according to a fourth embodiment;  
 FIG. 10 is a front view thereof;  
 FIG. 11 is a perspective view of the fourth embodiment, shown in a different placement in the environment;  
 FIG. 12 is a front view thereof;  
 FIG. 13 is a perspective view illustrating a display screen with a graphical interface according to a fifth embodiment;  
 FIG. 14 is a front view thereof;  
 FIG. 15 is a perspective view illustrating a display screen with a graphical interface according to a sixth embodiment;  
 FIG. 16 is a front view thereof;  
 FIG. 17 is a perspective view of the sixth embodiment, shown in a different placement in the environment; and,  
 FIG. 18 is a front view thereof.

The broken line showings of the display screen in all of the figures and of the rectangles in FIGS. 1-6 and 13-18 are included for the purpose of illustrating environmental structure and portions of the display screen with a graphical interface. The broken lines form no part of the claimed design.

**1 Claim, 18 Drawing Sheets**





(56)

## References Cited

## U.S. PATENT DOCUMENTS

D428,614	S *	7/2000	Hwang et al.	D14/495
D430,120	S *	8/2000	Yasui et al.	D14/488
D437,858	S *	2/2001	Yasui et al.	D14/486
D439,585	S *	3/2001	Law et al.	D14/487
D440,575	S *	4/2001	Wang et al.	D14/489
D450,710	S *	11/2001	Yoshioka	D14/486
D458,611	S *	6/2002	Gallo	D14/485
D470,153	S *	2/2003	Billmaier et al.	D14/486
D490,439	S *	5/2004	Kates et al.	D14/486
D492,694	S *	7/2004	Kates et al.	D14/486
D494,603	S *	8/2004	Kates et al.	D14/486
6,819,344	B2 *	11/2004	Robbins	715/848
D500,788	S *	1/2005	Kaplan	D19/8
6,901,299	B1 *	5/2005	Whitehead et al.	700/22
D506,472	S *	6/2005	Tyner et al.	D14/486
6,907,447	B1 *	6/2005	Cooperman et al.	709/203
D507,576	S *	7/2005	Hally et al.	D14/486
7,013,429	B2 *	3/2006	Fujimoto et al.	715/752
7,124,164	B1 *	10/2006	Chemtob	709/204
D537,834	S *	3/2007	Agarwal et al.	D14/486
D541,291	S *	4/2007	Zhou et al.	D14/486
D545,834	S *	7/2007	Anthony et al.	D14/488
D545,835	S *	7/2007	Anthony et al.	D14/488
D546,343	S *	7/2007	Anthony et al.	D14/488
7,243,299	B1 *	7/2007	Rubin et al.	715/209
D548,743	S *	8/2007	Takahashi et al.	D14/486
D549,713	S *	8/2007	Lewin et al.	D14/485
D552,115	S *	10/2007	Suzuki	D14/485
D554,652	S *	11/2007	Shen et al.	D14/485
7,305,436	B2 *	12/2007	Willis	709/204
D561,197	S *	2/2008	Okaro et al.	D14/495
D562,838	S *	2/2008	Salunkhe	D14/487
D563,968	S *	3/2008	Lewin et al.	D14/485
7,343,561	B1 *	3/2008	Stochosky et al.	715/758
7,360,172	B2 *	4/2008	Grossman et al.	715/839
D568,329	S *	5/2008	Park et al.	D14/486
D569,872	S *	5/2008	Suzuki	D14/485
D570,859	S *	6/2008	Hsiao et al.	D14/486
7,386,784	B2 *	6/2008	Capps et al.	715/203
7,386,798	B1 *	6/2008	Heikes et al.	715/752
D580,942	S *	11/2008	Oshiro et al.	D14/485
7,464,137	B2 *	12/2008	Zhu et al.	709/204
D586,359	S *	2/2009	Makoski et al.	D14/486
7,496,499	B2 *	2/2009	Asada	704/8
D593,571	S *	6/2009	Ball et al.	D14/485
D594,467	S *	6/2009	Kase	D14/488
7,577,913	B1 *	8/2009	Donoho	715/757
D600,249	S *	9/2009	Nagata et al.	D14/486
D600,711	S *	9/2009	LaManna et al.	D14/492
D601,582	S *	10/2009	Chaudhri et al.	D14/495
D603,420	S *	11/2009	Channell	D14/487
D604,322	S *	11/2009	Hoefnagels	D14/488
D604,742	S *	11/2009	Nagata et al.	D14/486
D605,199	S *	12/2009	Nagata et al.	D14/486
D614,191	S *	4/2010	Takano et al.	D14/486
D624,930	S *	10/2010	Agnetta et al.	D14/487
D630,224	S *	1/2011	Allen	D14/485
7,865,834	B1 *	1/2011	van Os et al.	715/756
D633,921	S *	3/2011	Brinda	D14/488
D636,401	S *	4/2011	Vance et al.	D14/486
D637,605	S *	5/2011	Brinda	D14/488
D638,432	S *	5/2011	Flik et al.	D14/486
D642,586	S *	8/2011	Jones et al.	D14/485
D648,741	S *	11/2011	Lemay	D14/493
D652,840	S *	1/2012	Morsa	D14/487
D656,507	S *	3/2012	Jones et al.	D14/485
D660,864	S *	5/2012	Anzures et al.	D14/486
2001/0028369	A1 *	10/2001	Gallo et al.	345/848
2003/0061285	A1 *	3/2003	Usui et al.	709/205
2003/0090474	A1 *	5/2003	Schaefer	345/173
2004/0064510	A1 *	4/2004	Ooi et al.	709/205
2004/0080534	A1 *	4/2004	Quach	345/751
2005/0166154	A1 *	7/2005	Wilson et al.	715/751
2005/0262542	A1 *	11/2005	DeWeese et al.	725/106
2007/0192728	A1 *	8/2007	Finley et al.	715/782
2007/0300164	A1 *	12/2007	Bhogal et al.	715/753
2008/0244419	A1 *	10/2008	Kurpick et al.	715/756
2009/0037827	A1 *	2/2009	Bennetts	715/753
2009/0089683	A1 *	4/2009	Thapa	715/756
2009/0157709	A1 *	6/2009	Kruger et al.	707/100
2009/0177975	A1 *	7/2009	Elgar et al.	715/751
2009/0234721	A1 *	9/2009	Bigelow et al.	705/12
2009/0254843	A1 *	10/2009	Van Wie et al.	715/757
2010/0073454	A1 *	3/2010	Lovhaugen et al.	348/14.03
2010/0122183	A1 *	5/2010	Babaian et al.	715/752
2011/0035687	A1 *	2/2011	Katis et al.	715/758
2011/0320044	A1 *	12/2011	Smith et al.	700/276

## OTHER PUBLICATIONS

Design U.S. Appl. No. 29/380,007, filed Nov. 29, 2010, entitled "Interface Element," Inventor(s): Oliver C. Wenz et al.  
 Design U.S. Appl. No. 29/380,008, filed Nov. 29, 2010, entitled "Interface Element," Inventor(s): Oliver C. Wenz et al.  
 Design U.S. Appl. No. 29/380,011, filed Nov. 29, 2010, entitled "Interface Element," Inventor(s): Oliver C. Wenz et al.  
 Design U.S. Appl. No. 29/380,012, filed Nov. 29, 2010, entitled "Interface Element," Inventor(s): Oliver C. Wenz et al.  
 Design U.S. Appl. No. 29/380,014, filed Nov. 29, 2010, entitled "Interface Element," Inventor(s): Oliver C. Wenz et al.  
 Design U.S. Appl. No. 29/380,017, filed Nov. 29, 2010, entitled "Interface Element," Inventor(s): Oliver C. Wenz et al.  
 Design U.S. Appl. No. 29/380,019, filed Nov. 29, 2010, entitled "Interface Element," Inventor(s): Oliver C. Wenz et al.  
 Design U.S. Appl. No. 29/380,021, filed Nov. 29, 2010, entitled "Interface Element," Inventor(s): Oliver C. Wenz et al.  
 Design U.S. Appl. No. 29/380,022, filed Nov. 29, 2010, entitled "Interface Element," Inventor(s): Oliver C. Wenz et al.  
 Design U.S. Appl. No. 29/380,023, filed Nov. 29, 2010, entitled "Interface Element," Inventor(s): Oliver C. Wenz et al.  
 Vizard, Mike, "Intel CEO Demos Video Conferencing on a Smartphone," CTO Edge, Jan. 8, 2010; 2 pages; <http://www.ctoedge.com/content/intel-ceo-demos-video-conferencing-smartphone>.

\* cited by examiner

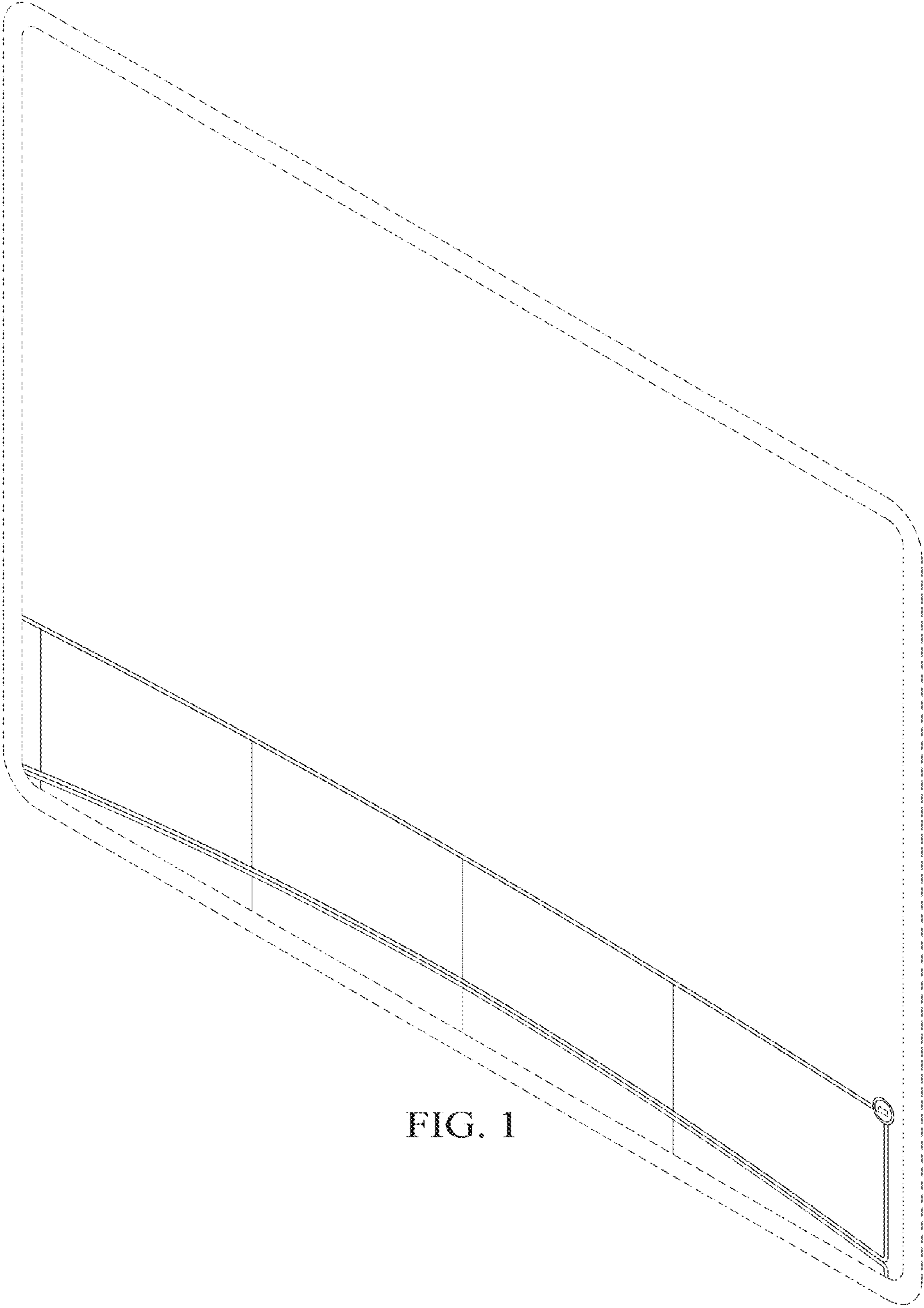


FIG. 1

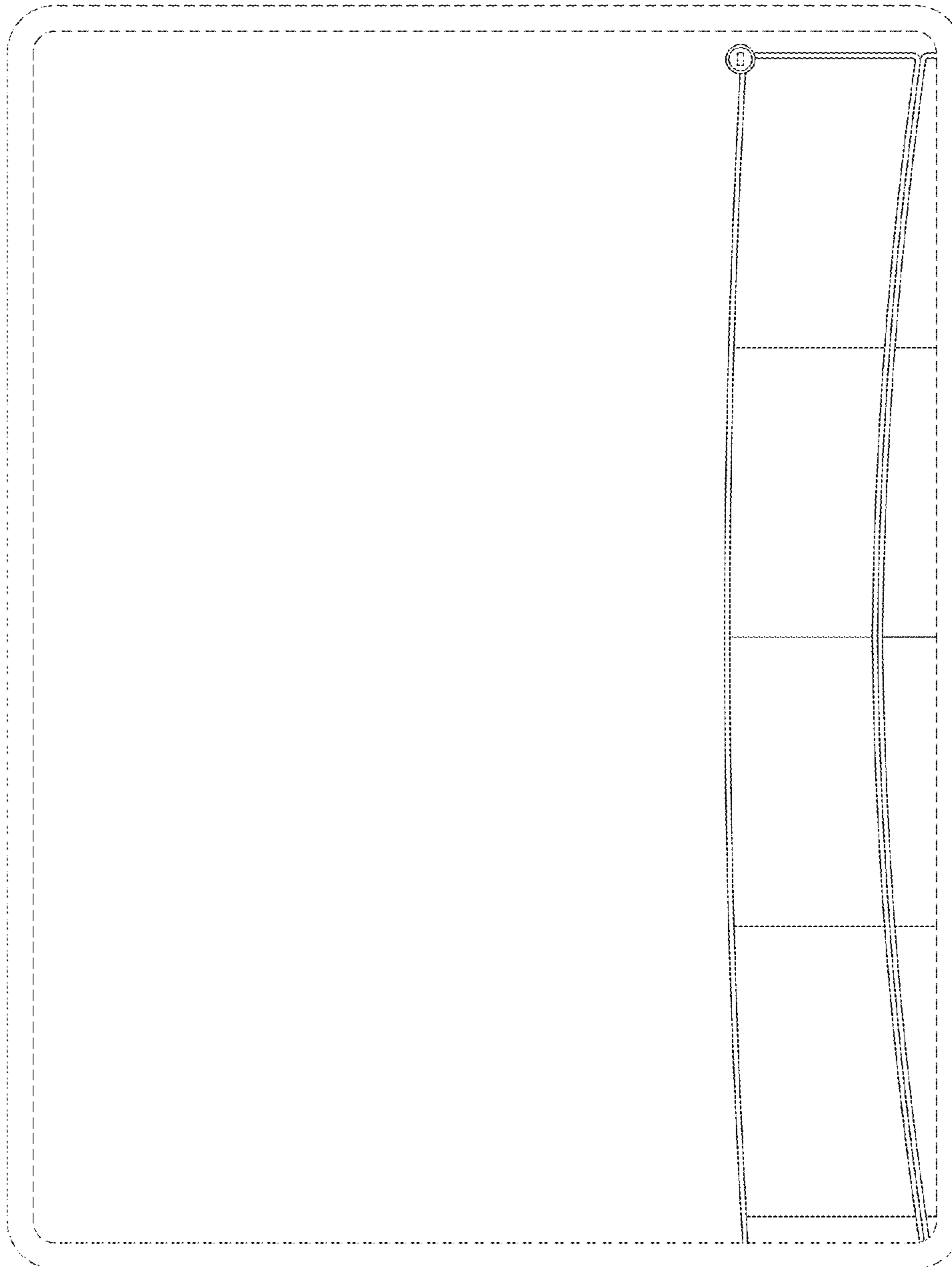


FIG. 2

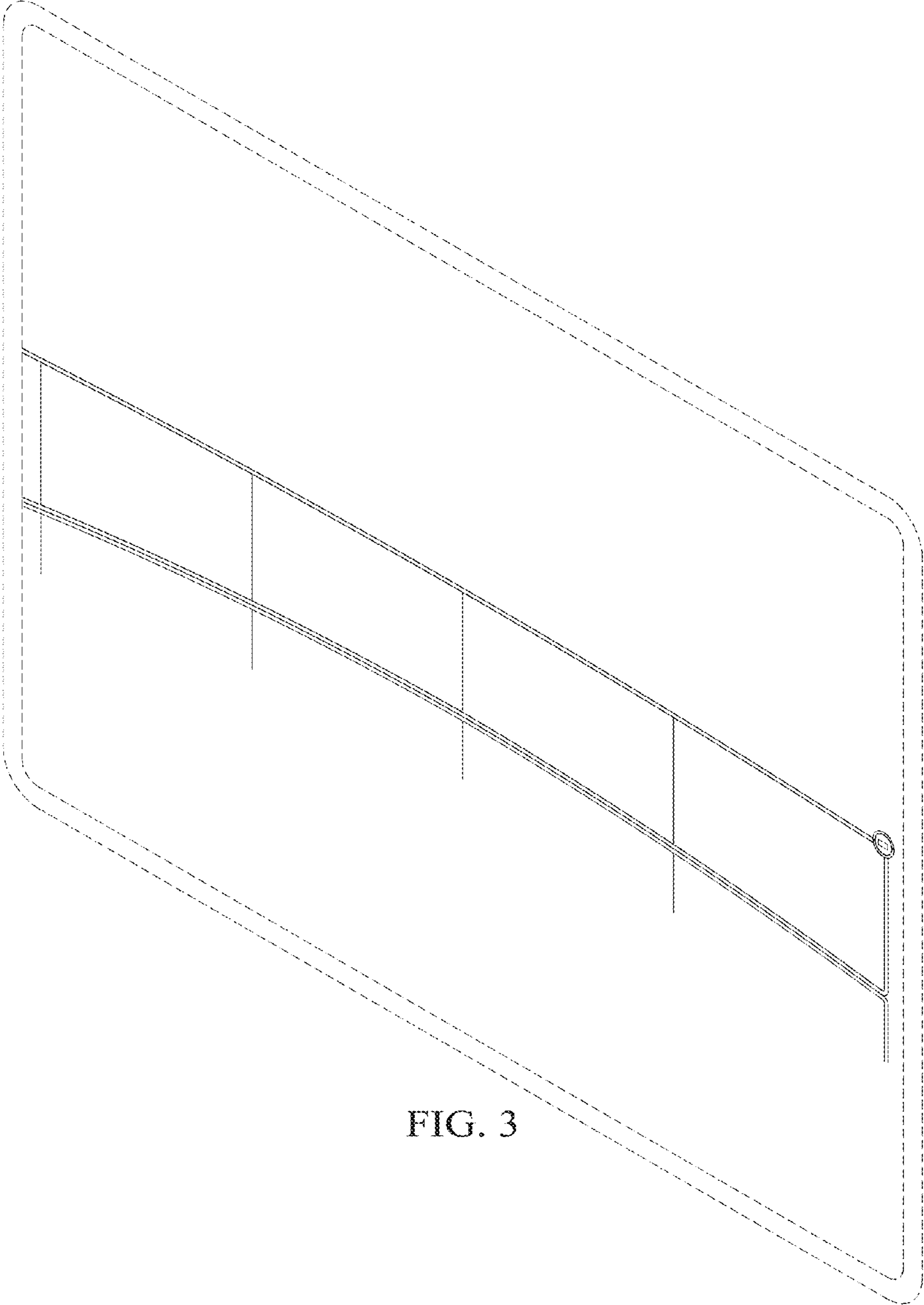


FIG. 3



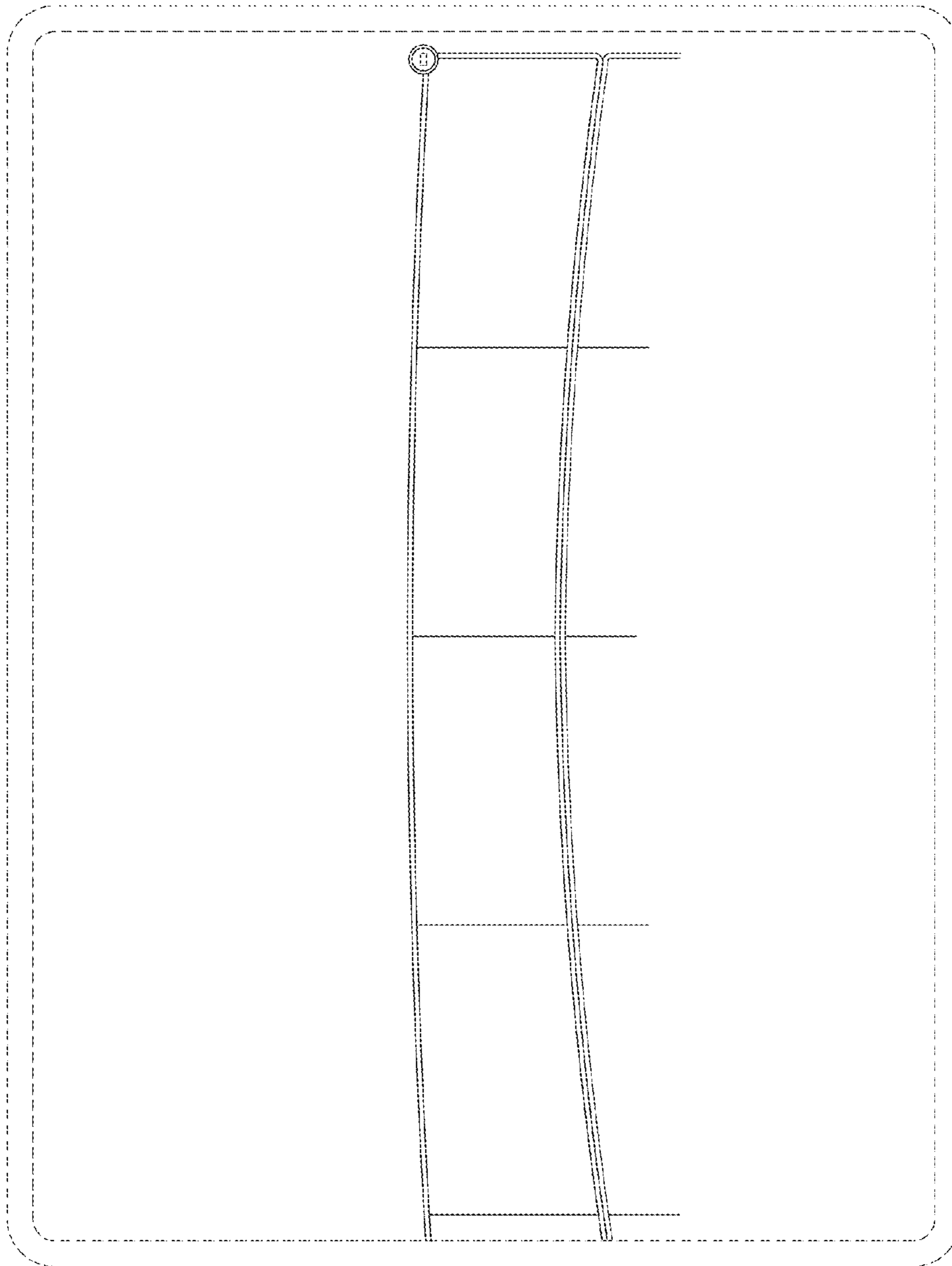


FIG. 4

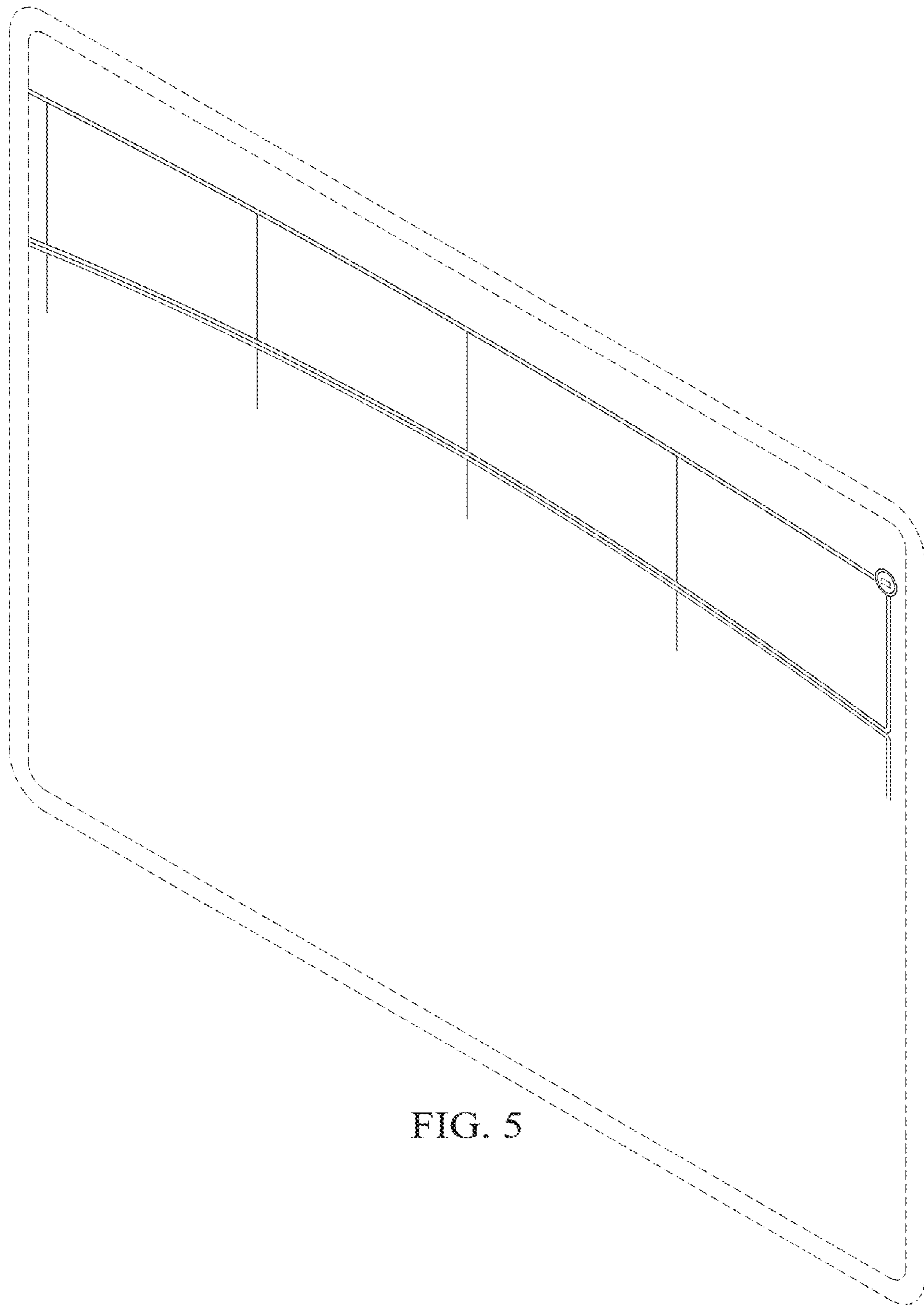


FIG. 5

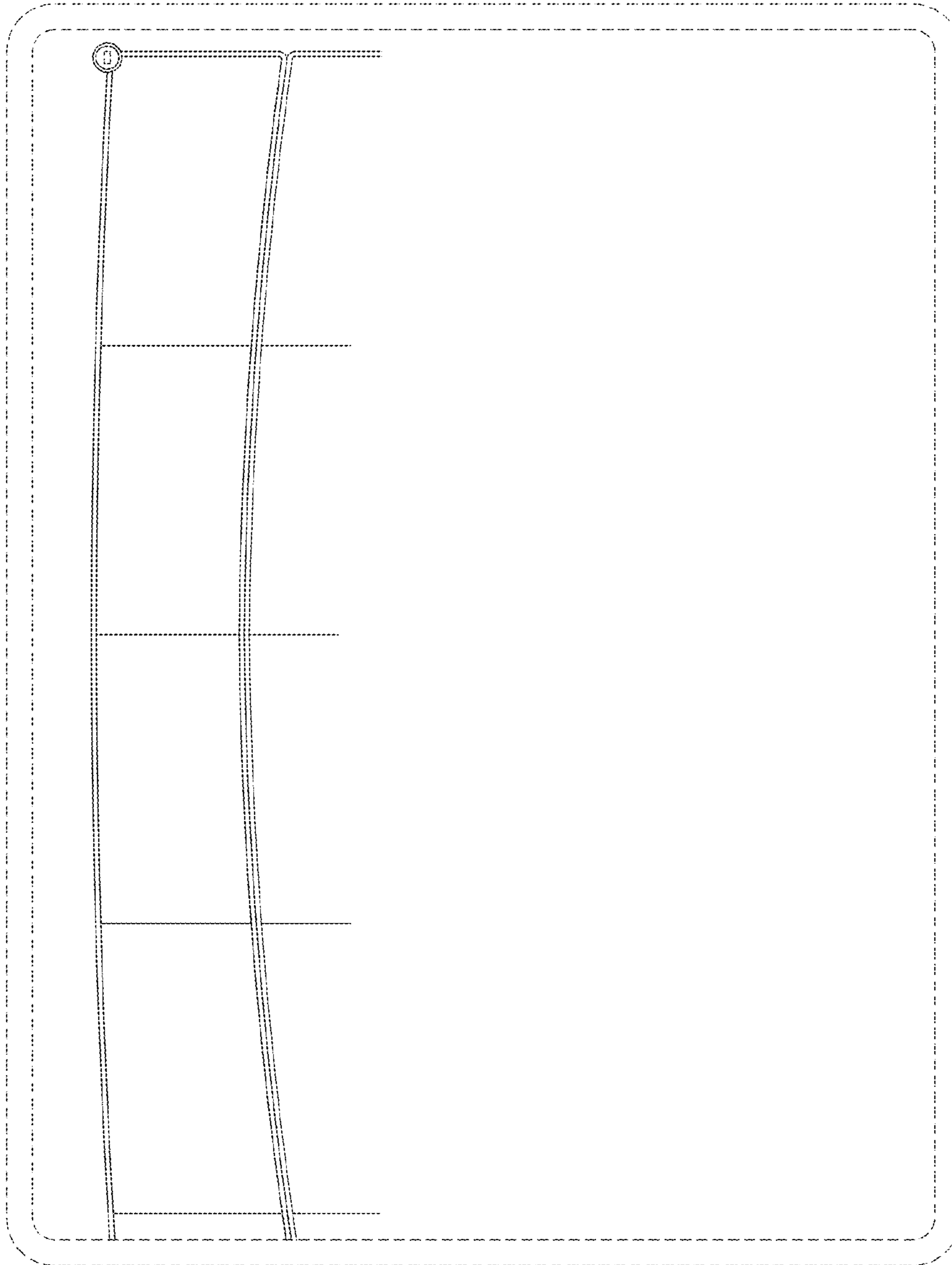


FIG. 6



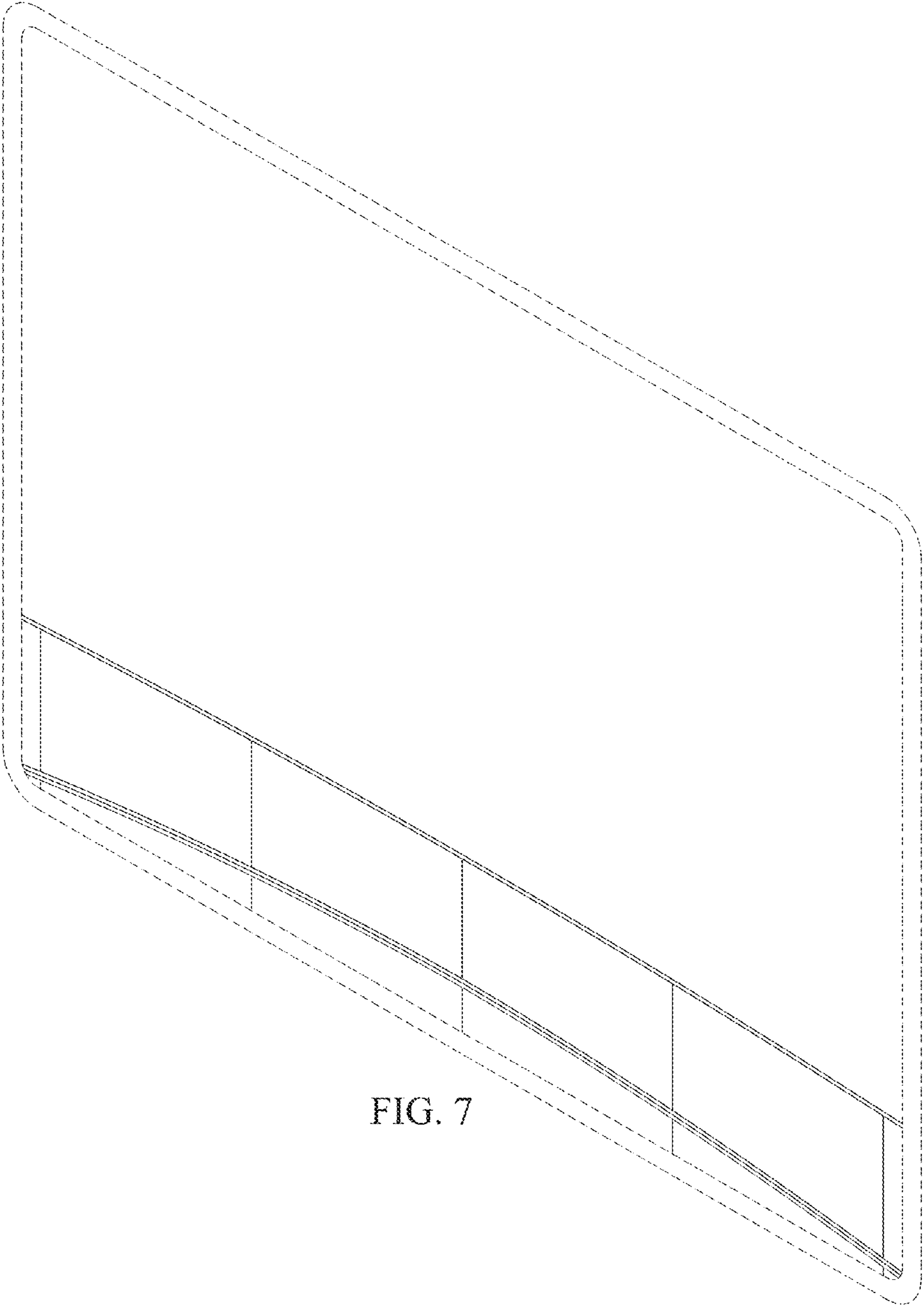


FIG. 7

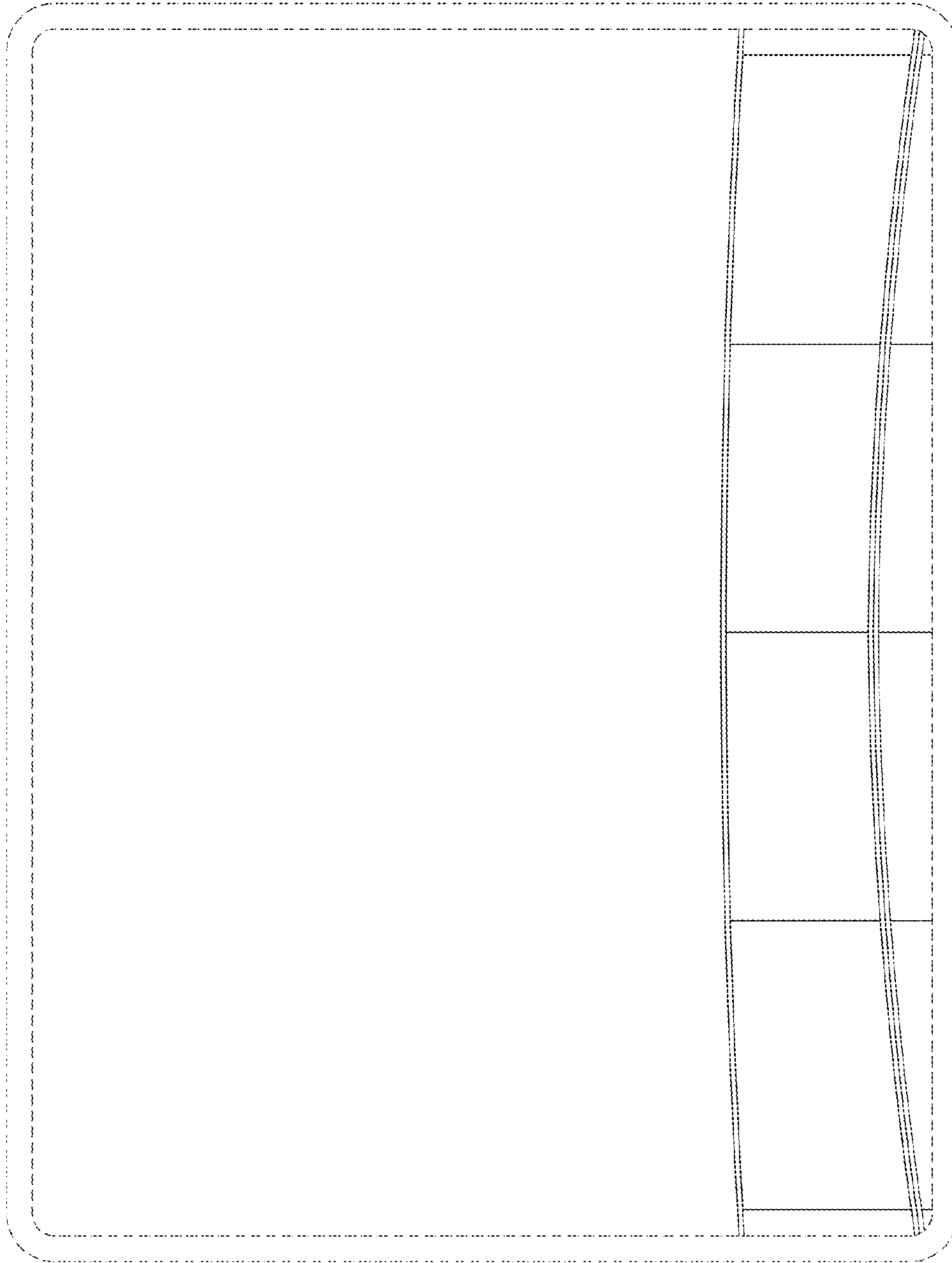


FIG. 8

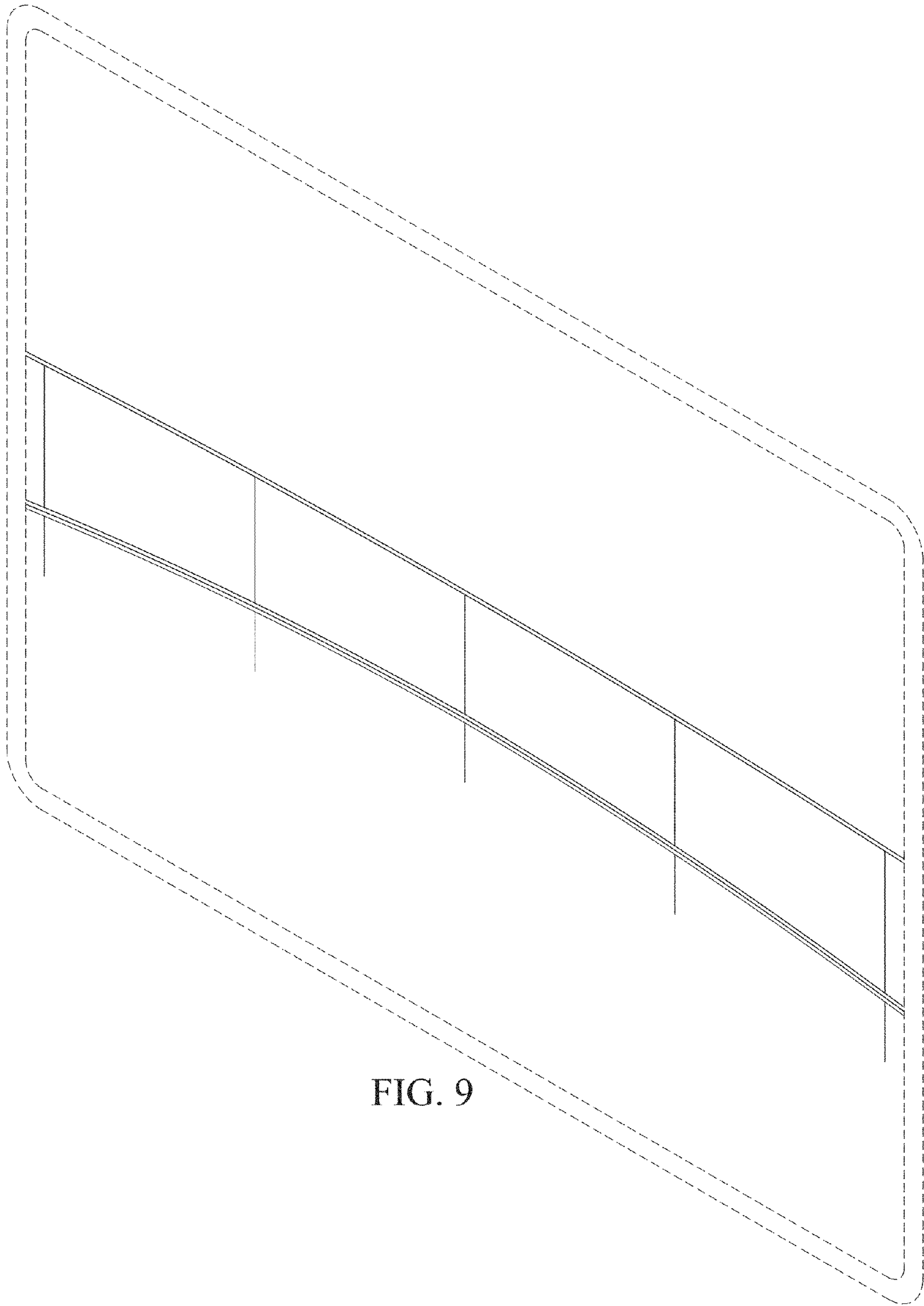


FIG. 9

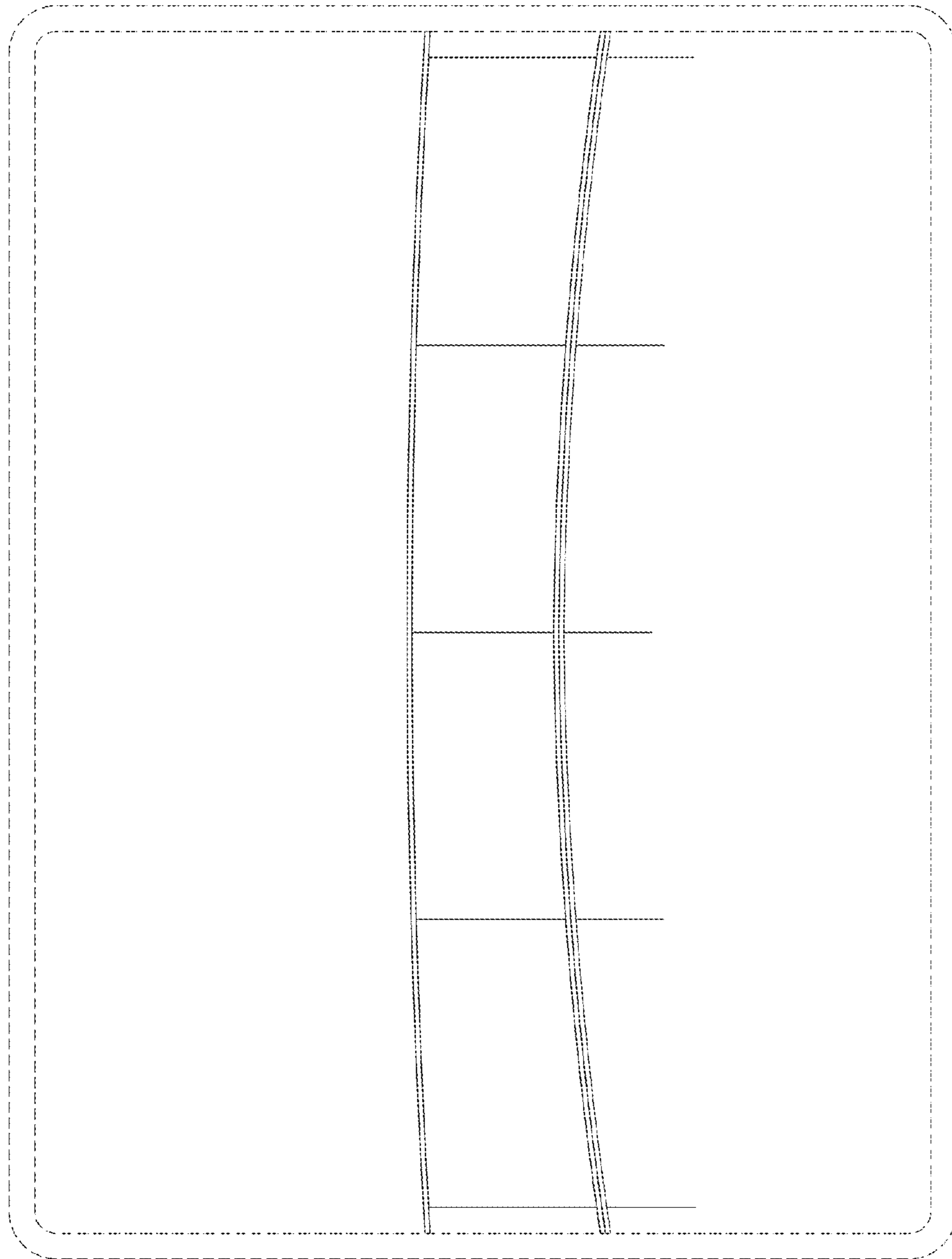


FIG. 10



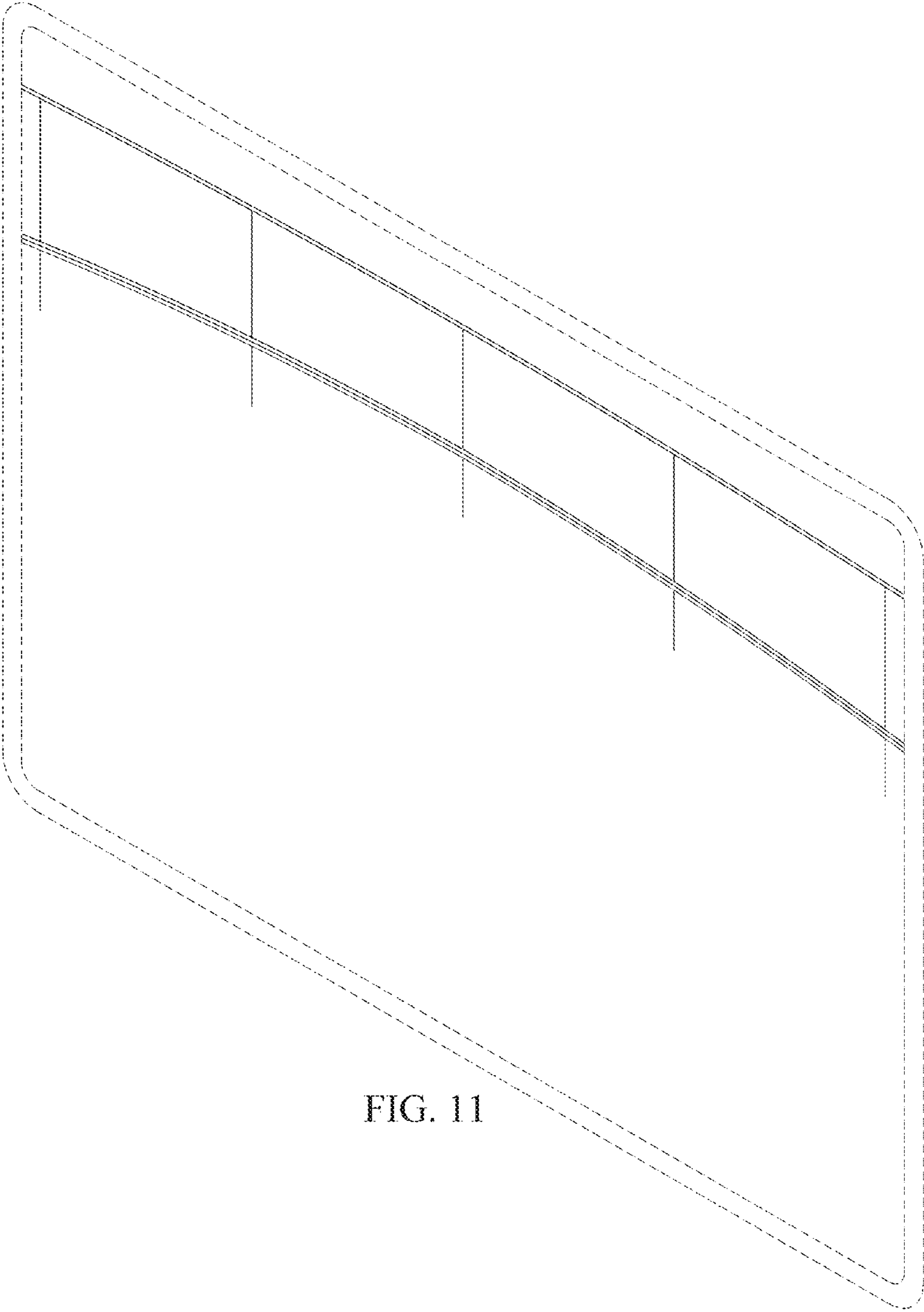


FIG. 11

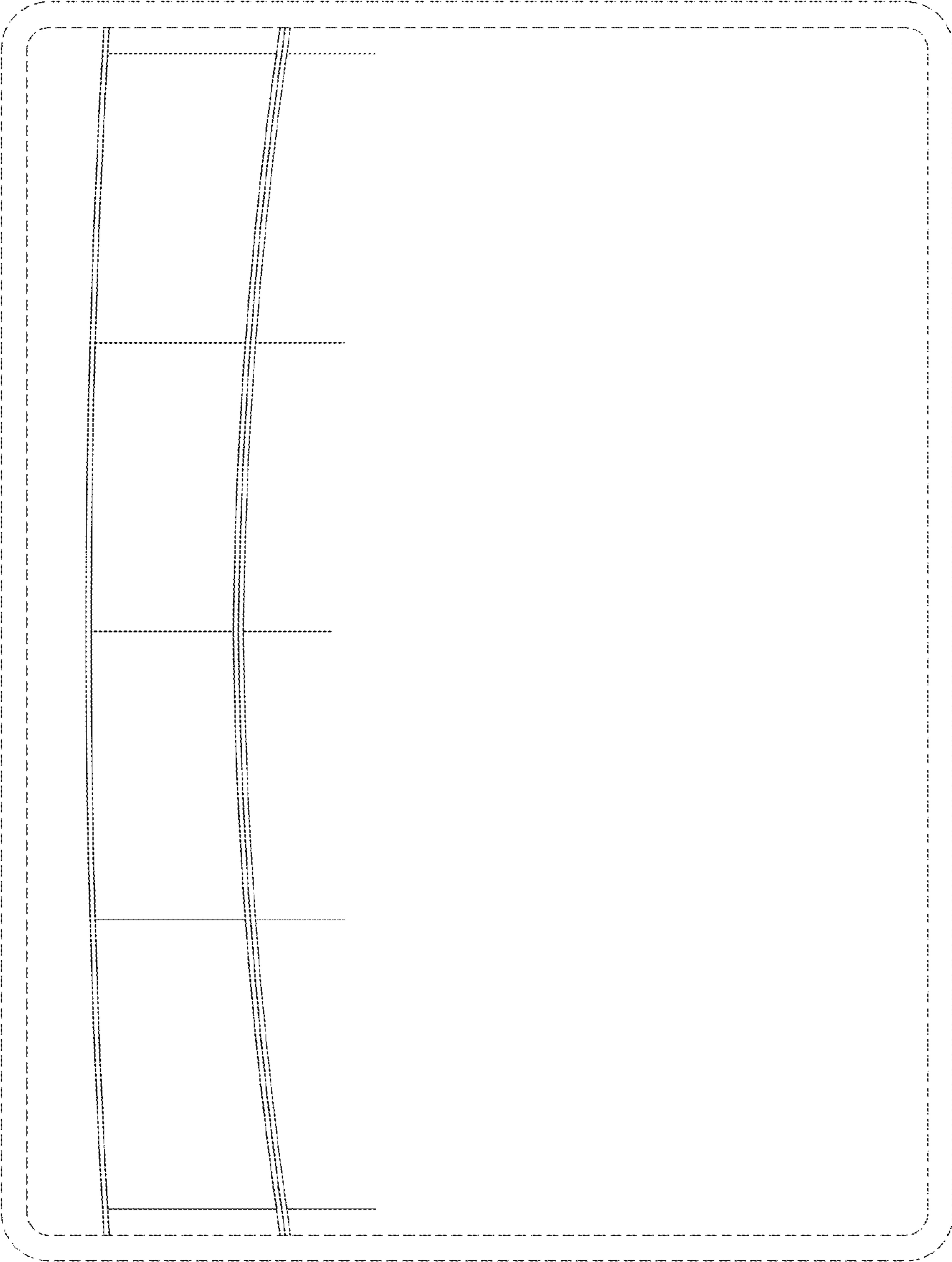


FIG. 12

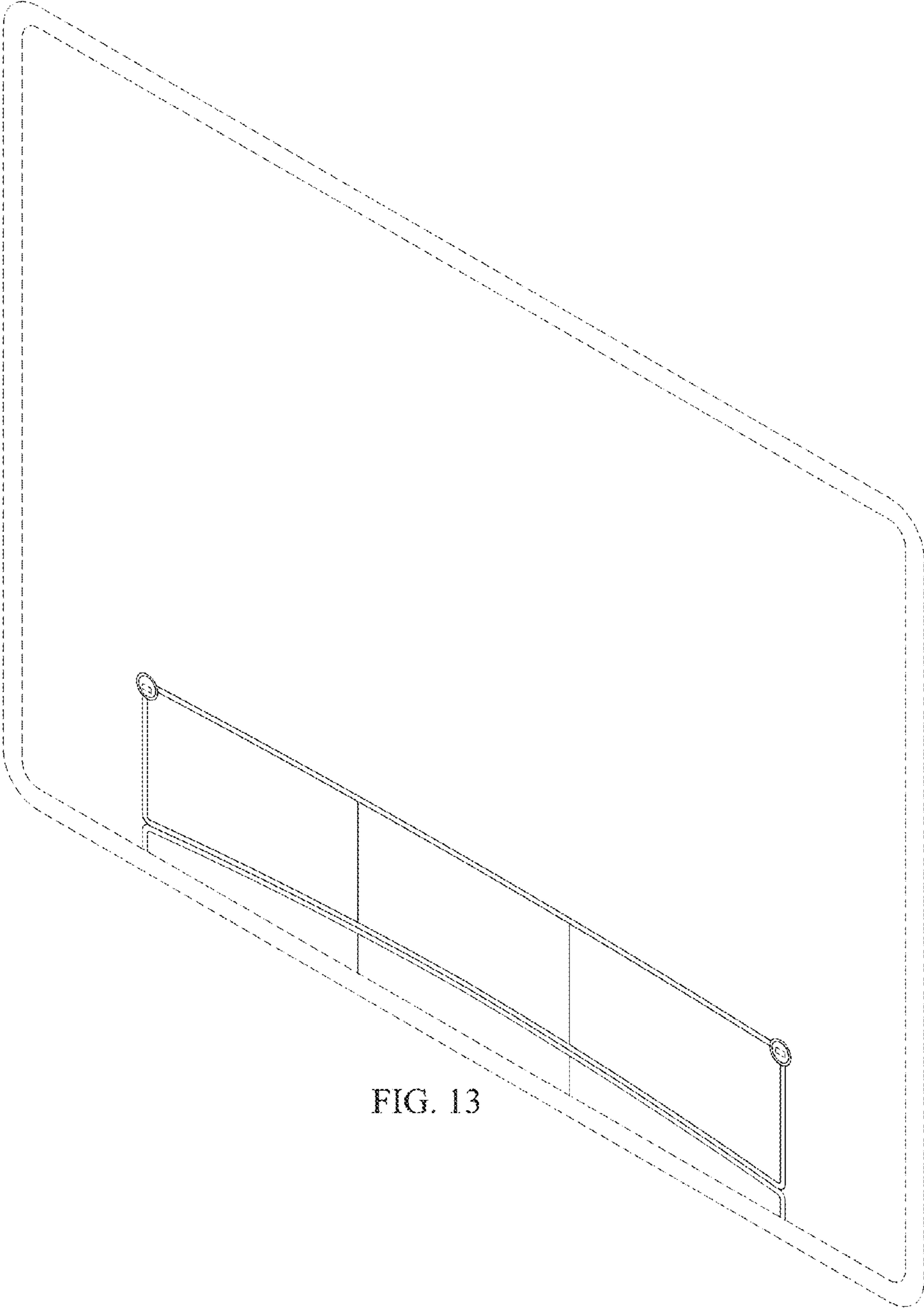


FIG. 13

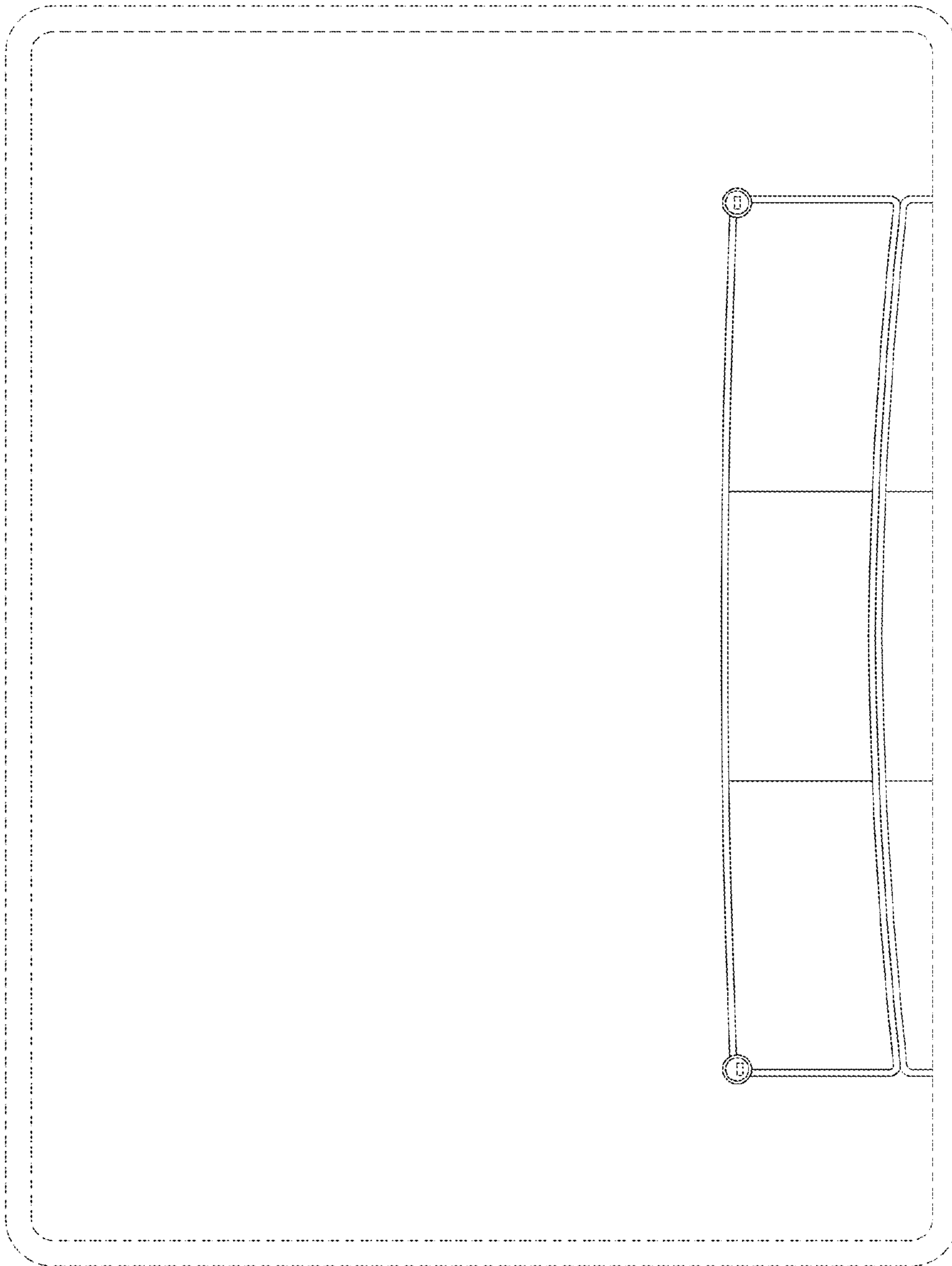


FIG. 14



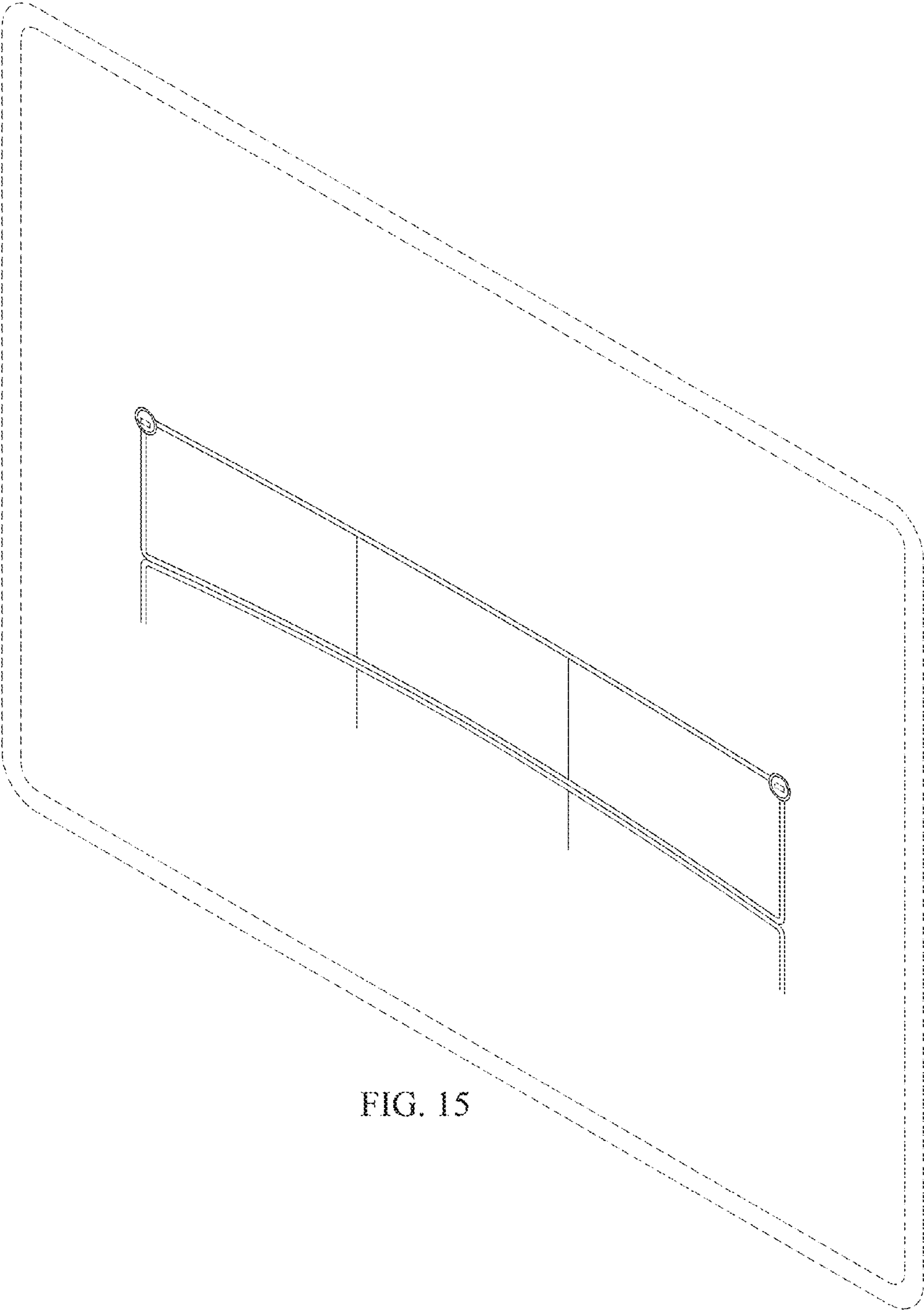


FIG. 15

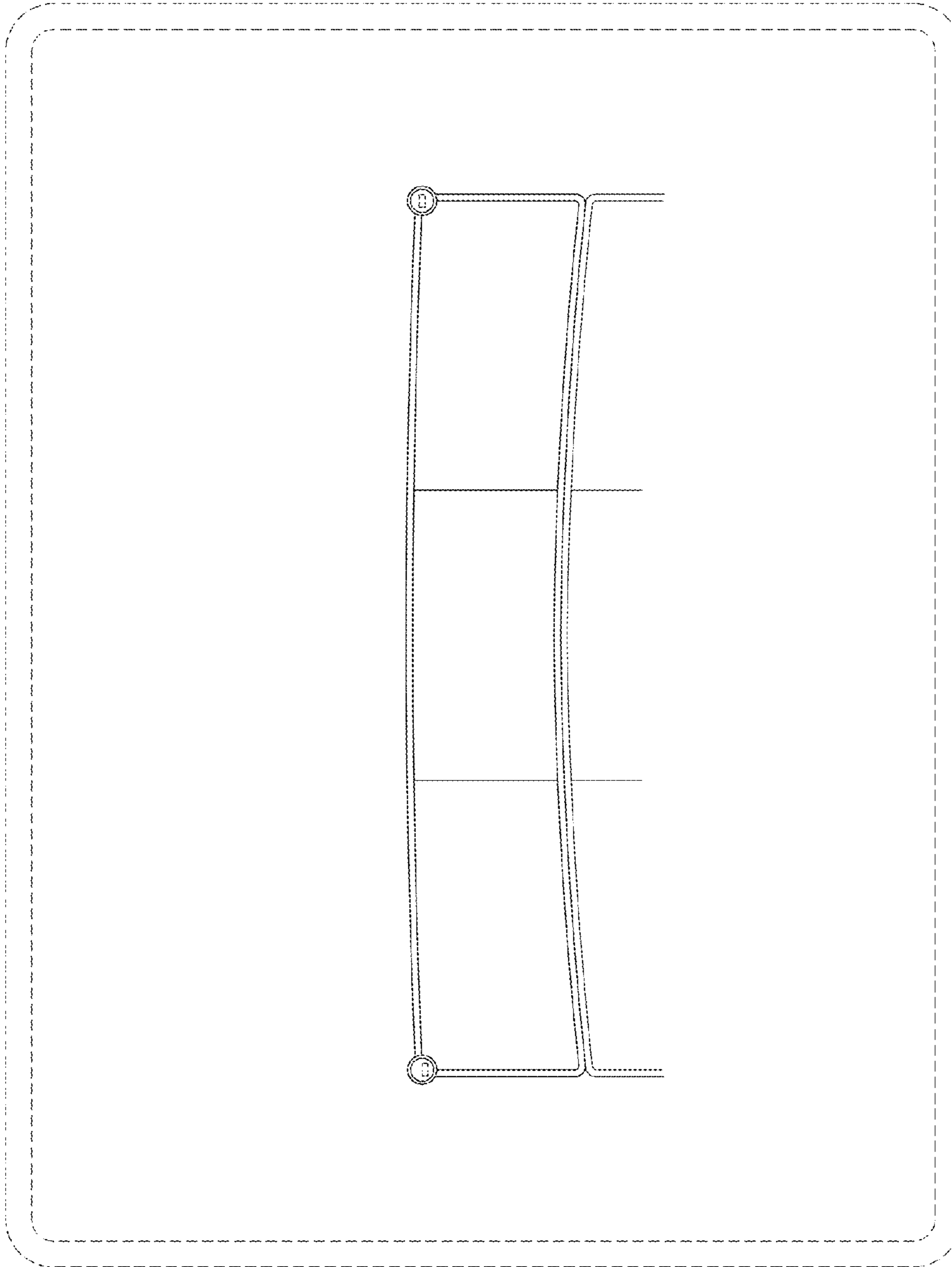


FIG. 16

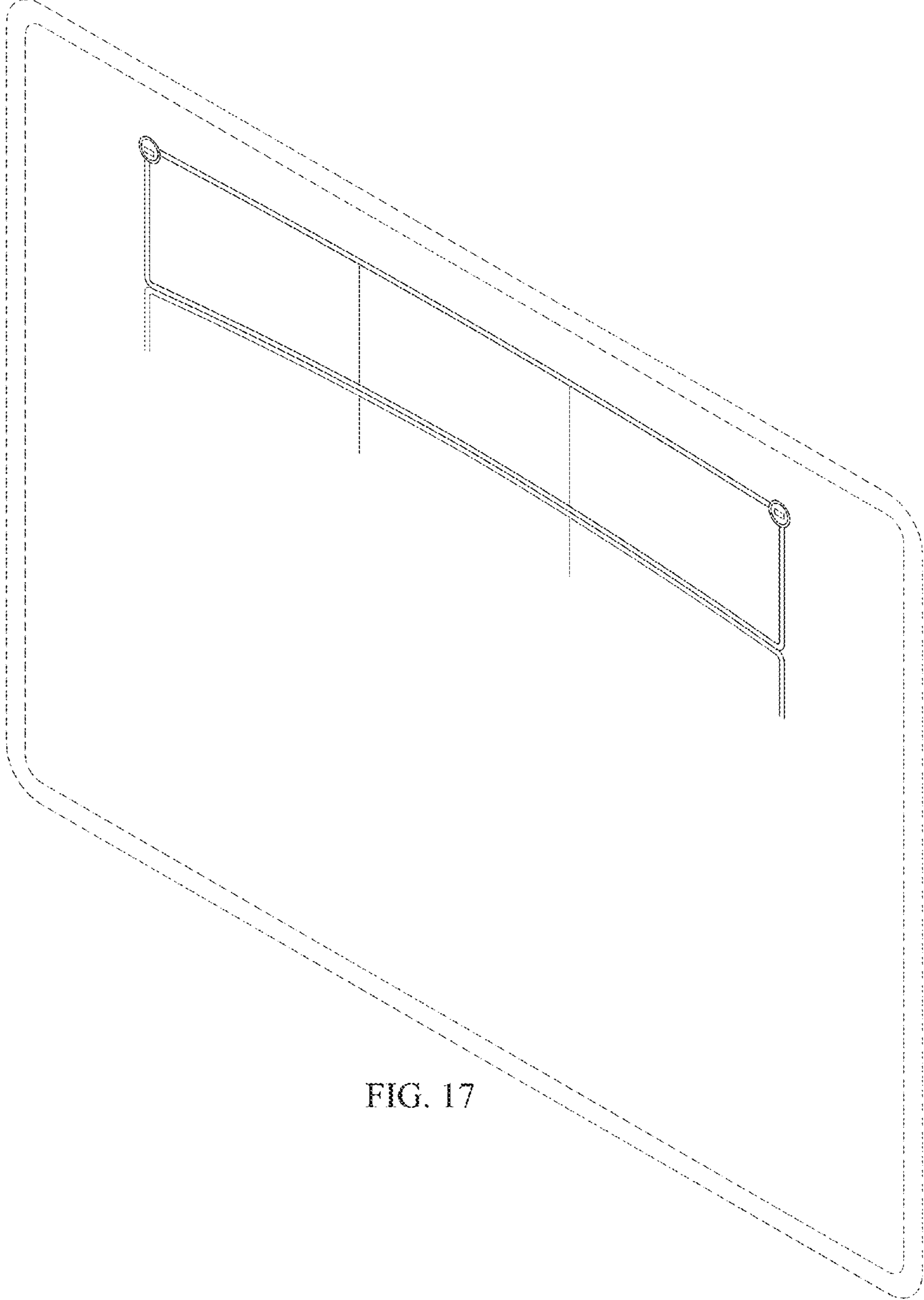


FIG. 17

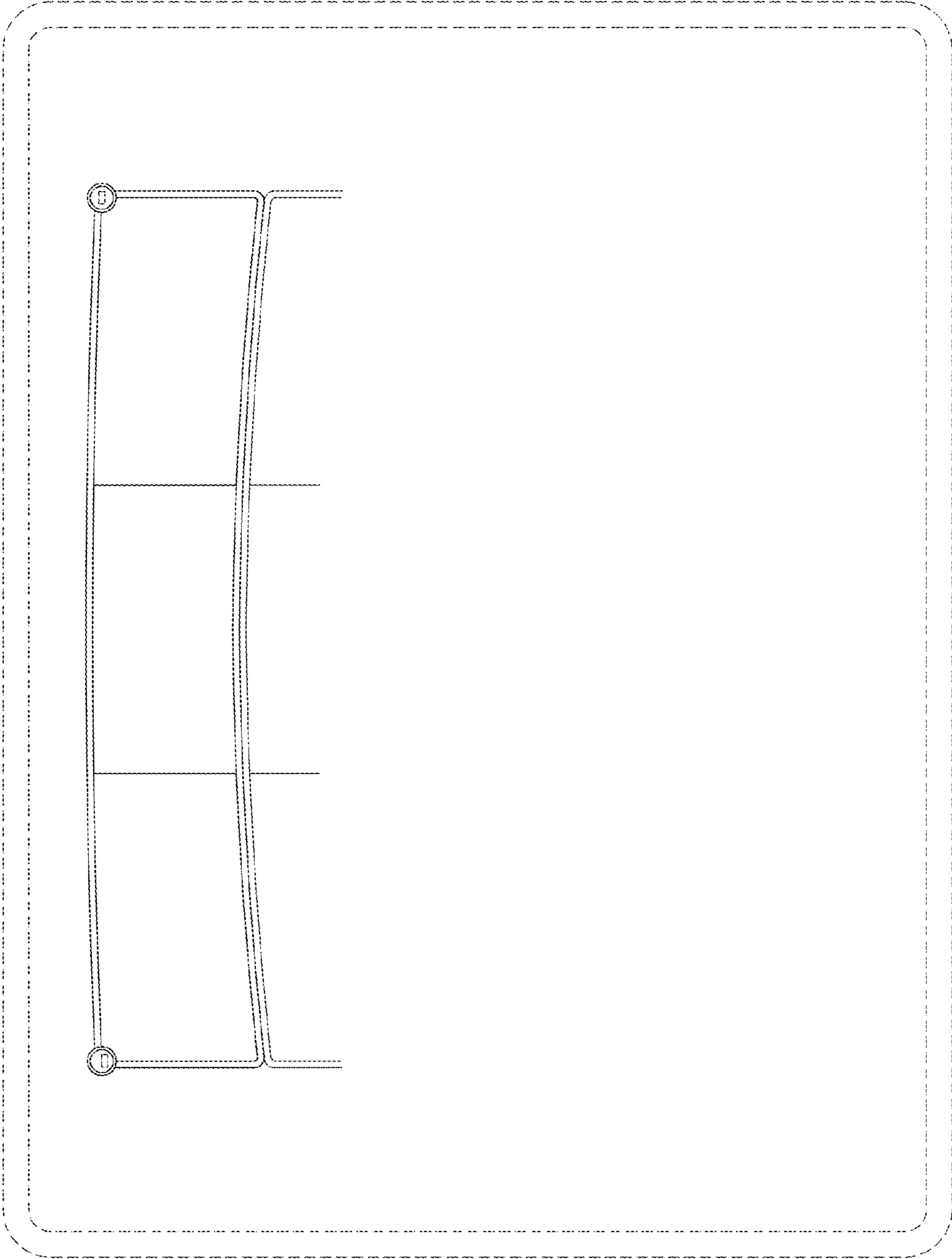


FIG. 18