



US00D690711S

(12) **United States Design Patent**
Tsuda et al.

(10) **Patent No.:** **US D690,711 S**

(45) **Date of Patent:** **** Oct. 1, 2013**

(54) **RECORDER**

(71) Applicant: **Yokogawa Electric Corporation**,
Musashino (JP)

(72) Inventors: **Toshiro Tsuda**, Musashino (JP); **Noriaki Senba**, Musashino (JP); **Ayako Kouno**, Musashino (JP); **Yuya Iketsuki**, Musashino (JP); **Kazuhiko Kawauchi**, Musashino (JP); **Takashi Hara**, Musashino (JP)

(73) Assignee: **Yokogawa Electric Corporation**, Tokyo (JP)

(**) Term: **14 Years**

(21) Appl. No.: **29/445,523**

(22) Filed: **Feb. 13, 2013**

(30) **Foreign Application Priority Data**

Aug. 17, 2012 (JP) 2012-019757

(51) **LOC (9) Cl.** **14-99**

(52) **U.S. Cl.**
USPC **D14/474**

(58) **Field of Classification Search**
USPC D14/480.1, 474, 369, 368, 356, 314,
D14/313, 308, 167; D12/400; D24/158,
D24/186; 701/33.4; 101/269; 369/47.34
See application file for complete search history.

(56) **References Cited**

U.S. PATENT DOCUMENTS

D311,177 S * 10/1990 Peters, III D14/308
D348,446 S * 7/1994 Ito et al. D14/368
D360,883 S * 8/1995 Ito et al. D14/369
D379,352 S * 5/1997 Ikenaga D14/313
D419,971 S * 2/2000 Ito et al. D14/356

D431,032 S * 9/2000 Sasago D14/167
D454,854 S * 3/2002 Yamashita et al. D14/167
D470,450 S * 2/2003 Olzak D12/400
D486,154 S * 2/2004 Nishio et al. D14/474
D487,750 S * 3/2004 Dietel et al. D14/474
D494,160 S * 8/2004 Chen D14/314
D563,995 S * 3/2008 Deguchi et al. D14/480.1
D588,146 S * 3/2009 Tsuboi D14/474

* cited by examiner

Primary Examiner — Austin Murphy

(74) *Attorney, Agent, or Firm* — Sughrue Mion, PLLC

(57) **CLAIM**

The ornamental design for a recorder, as shown and described.

DESCRIPTION

FIG. 1 is a perspective view of front, top and right side of a recorder according to our new design;

FIG. 2 is a front view thereof;

FIG. 3 is a rear view thereof;

FIG. 4 is a left side view thereof;

FIG. 5 is a right side view thereof;

FIG. 6 is a top view thereof;

FIG. 7 is a bottom view thereof;

FIG. 8 is a perspective view showing a state that function modules are attached thereof;

FIG. 9 is a front view showing the first sample image thereof;

FIG. 10 is a front view showing the second sample image thereof;

FIG. 11 is a front view showing the third sample image thereof; and,

FIG. 12 is a front view showing the fourth sample image thereof.

The portions of the article in broken lines are shown for illustrative purposes only and form no part of the claimed design.

1 Claim, 11 Drawing Sheets

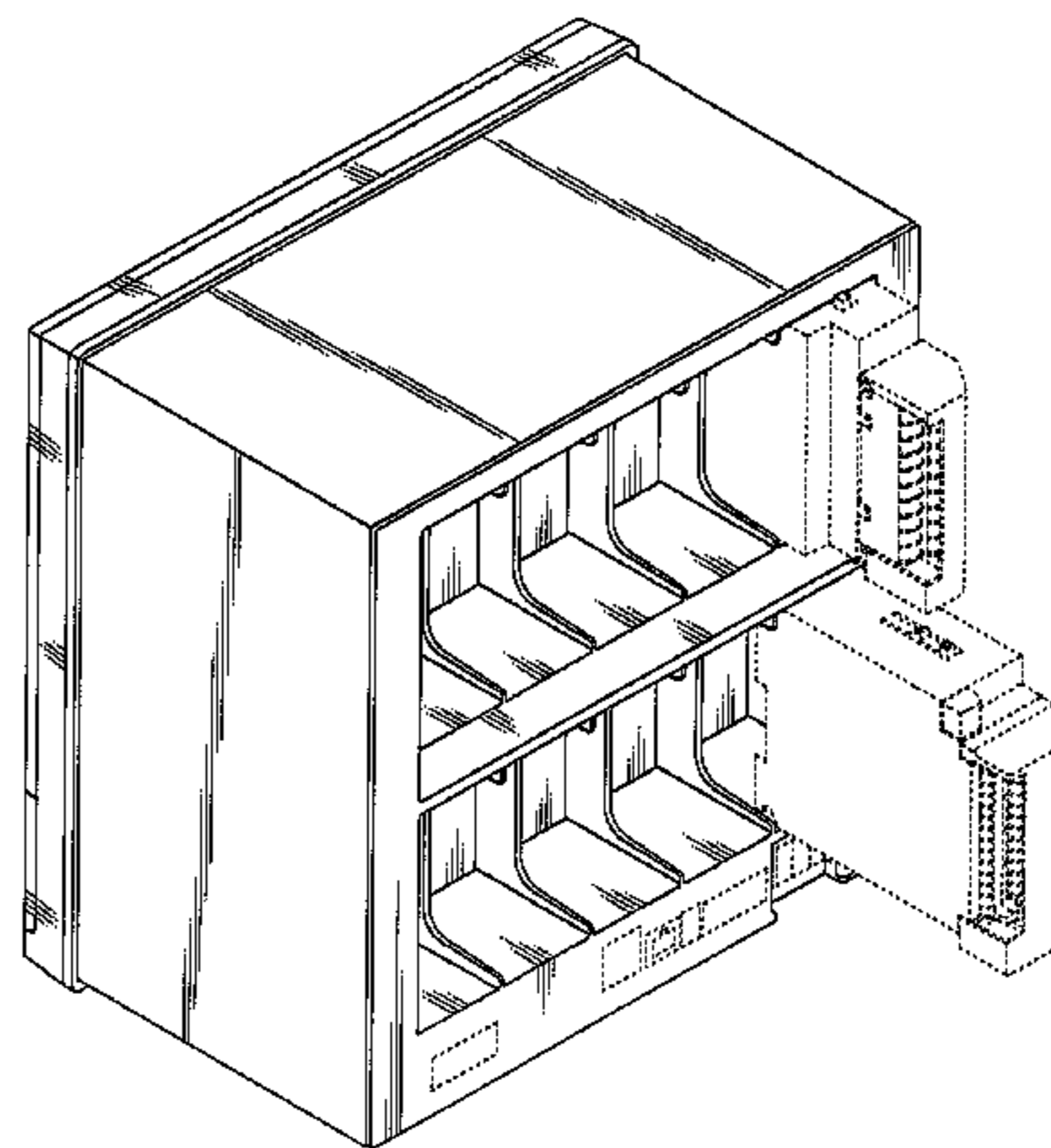
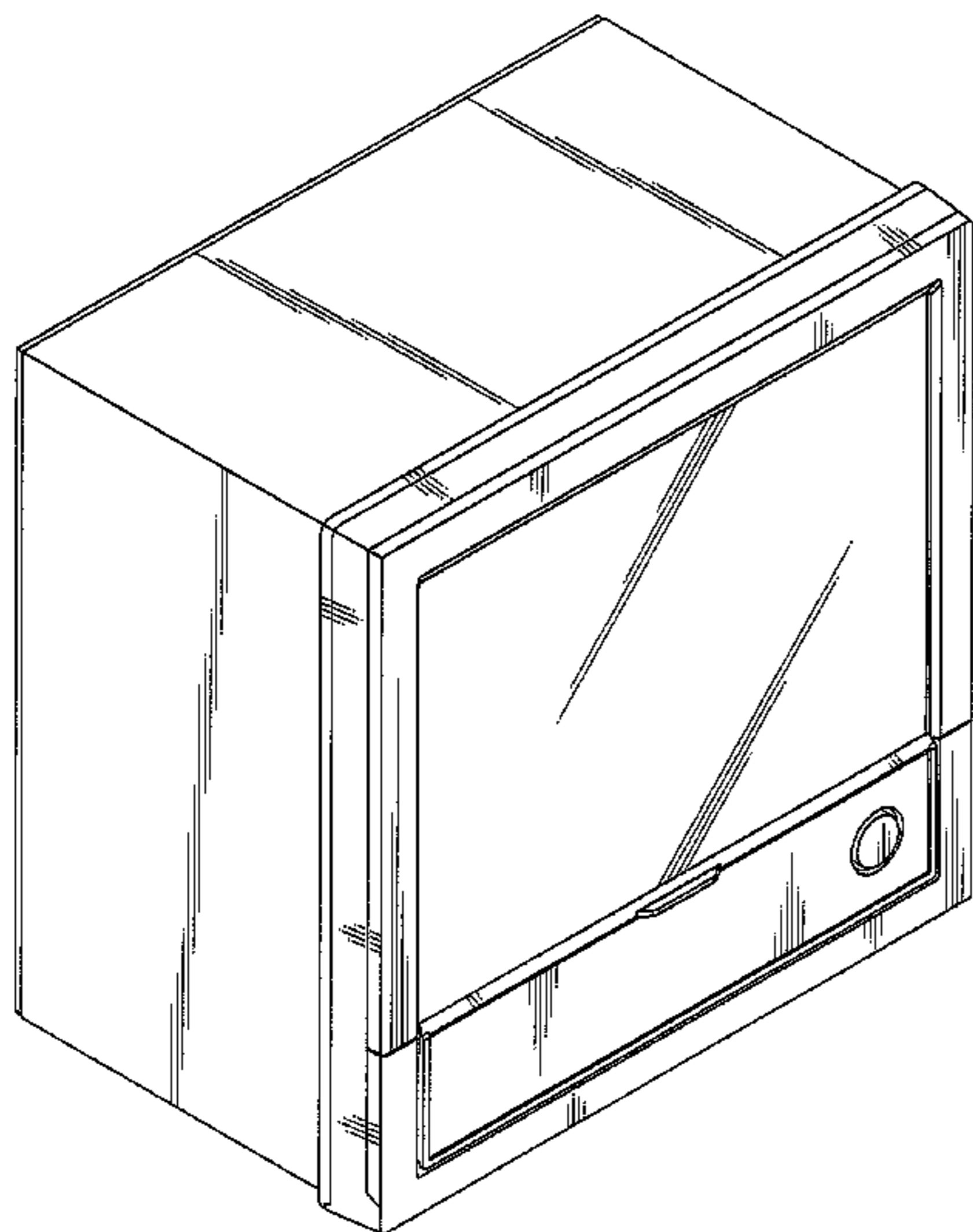


Fig. 1

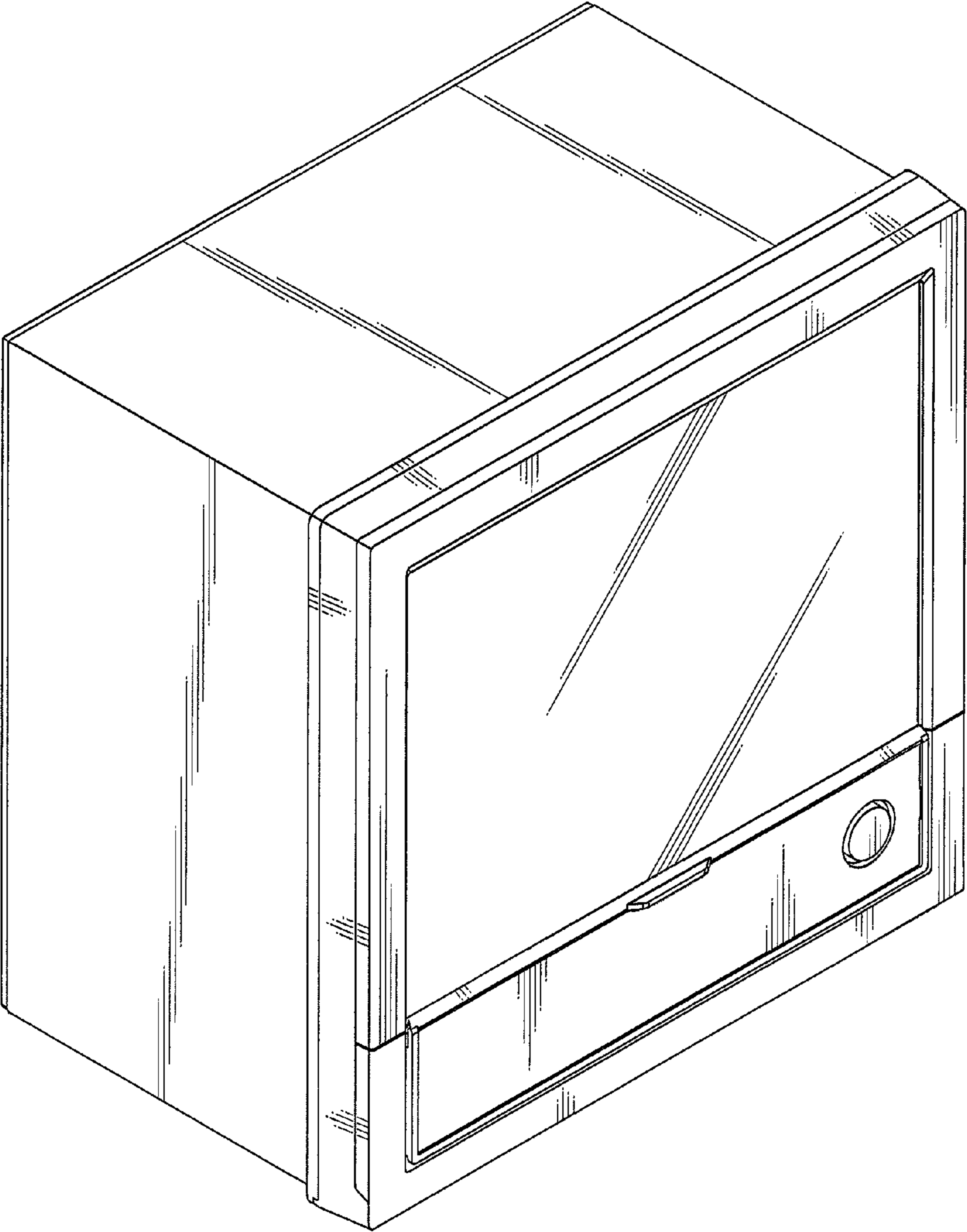


Fig. 2

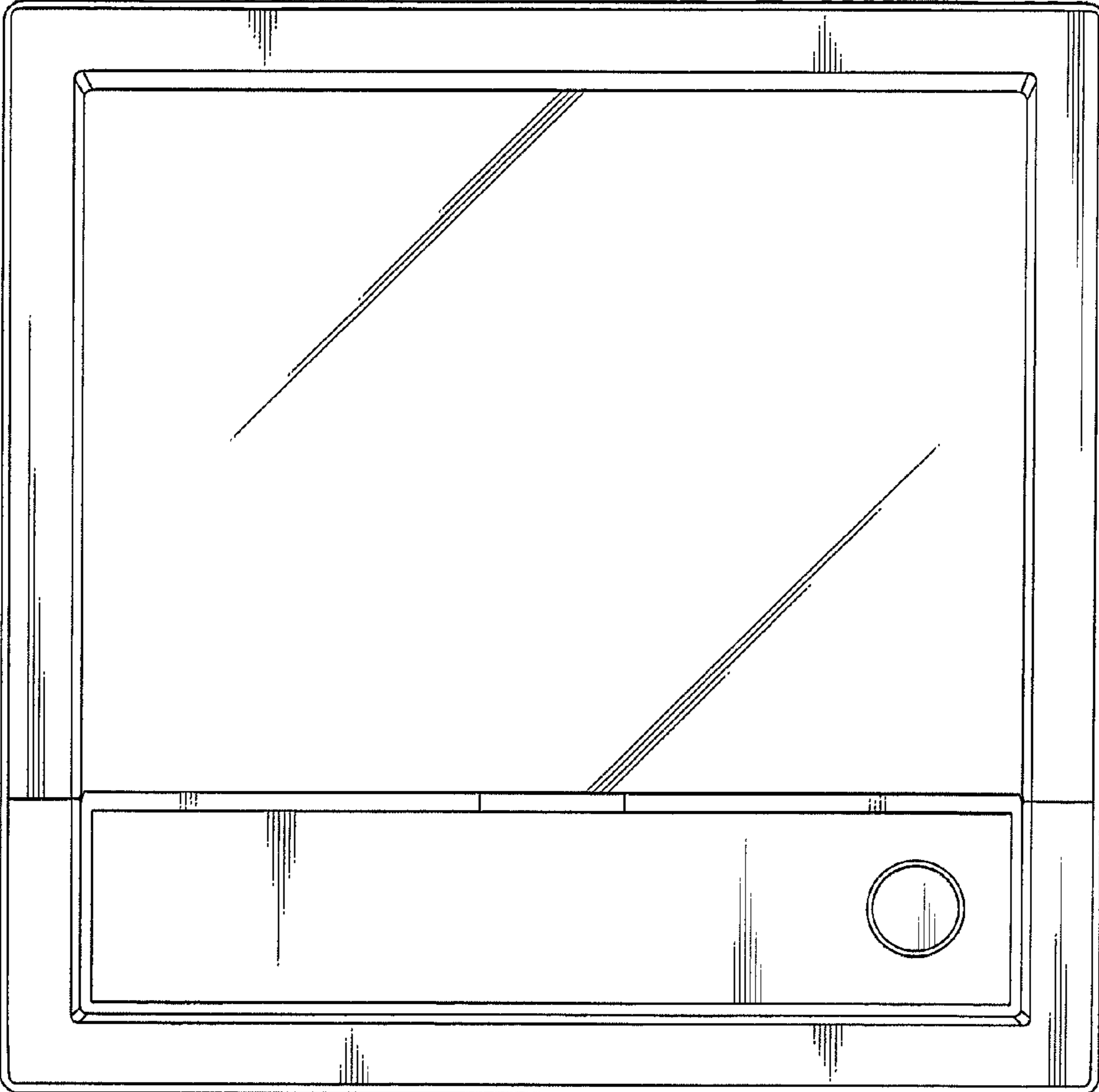


Fig. 3

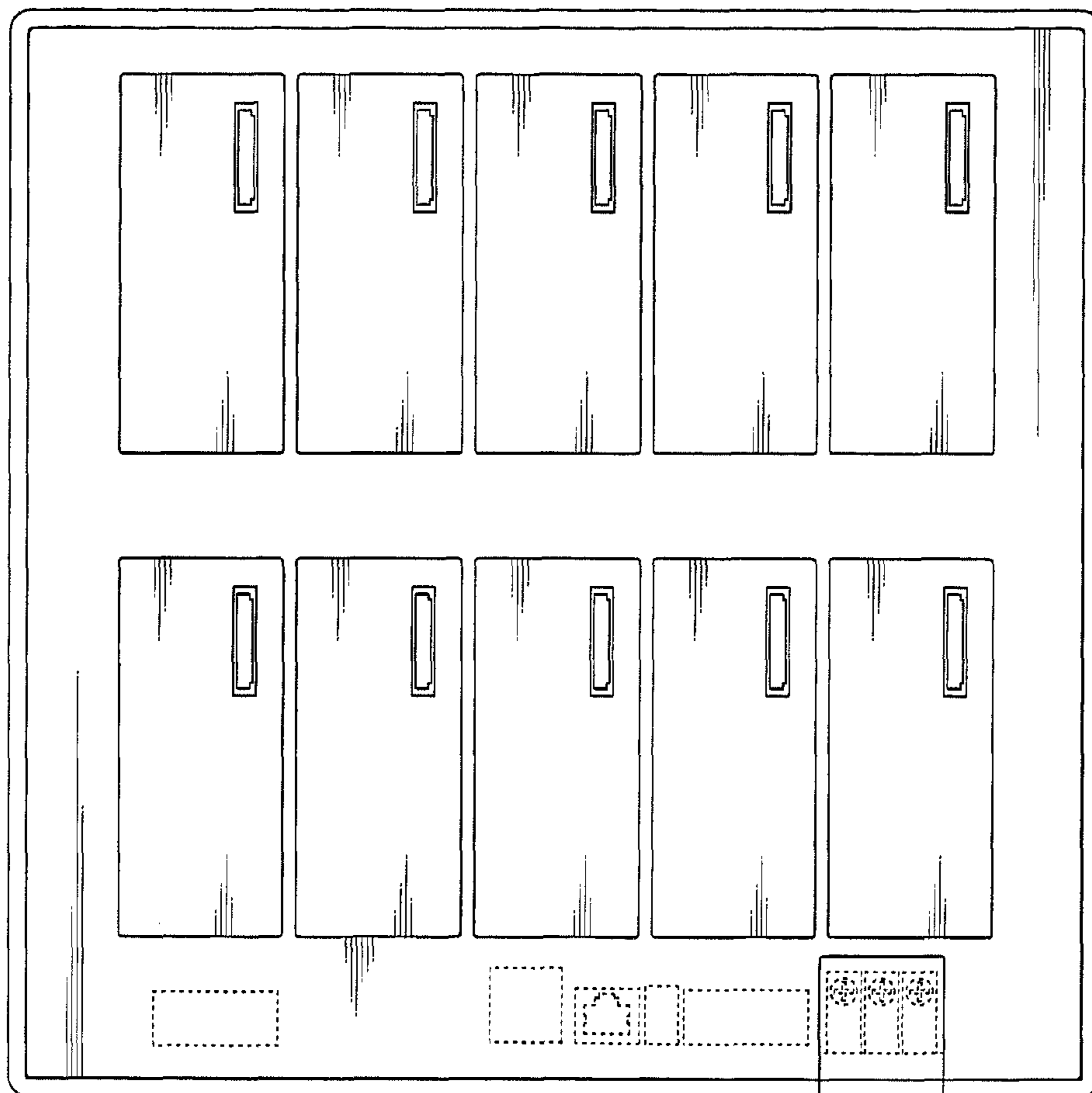


Fig. 4

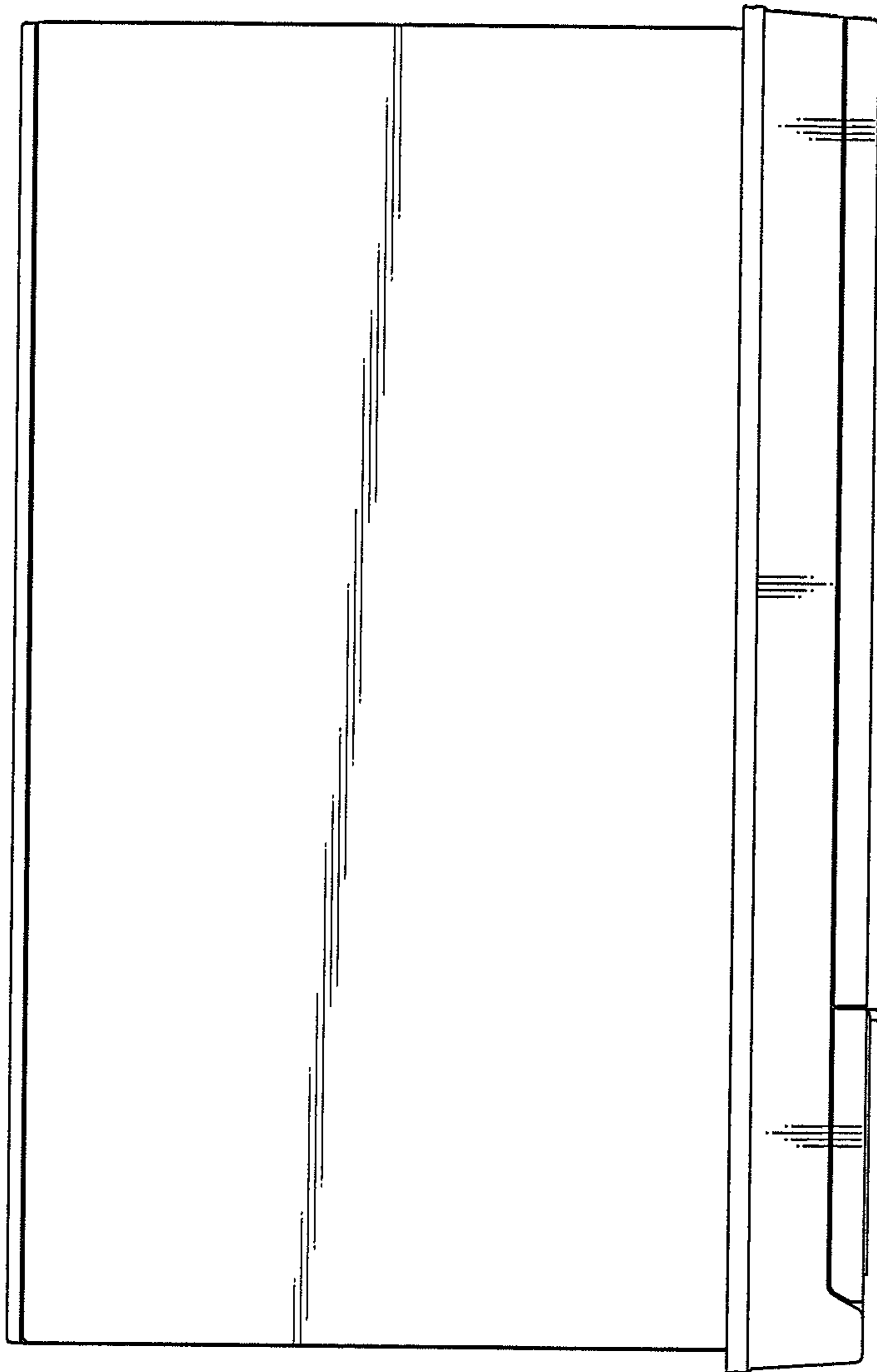


Fig. 5

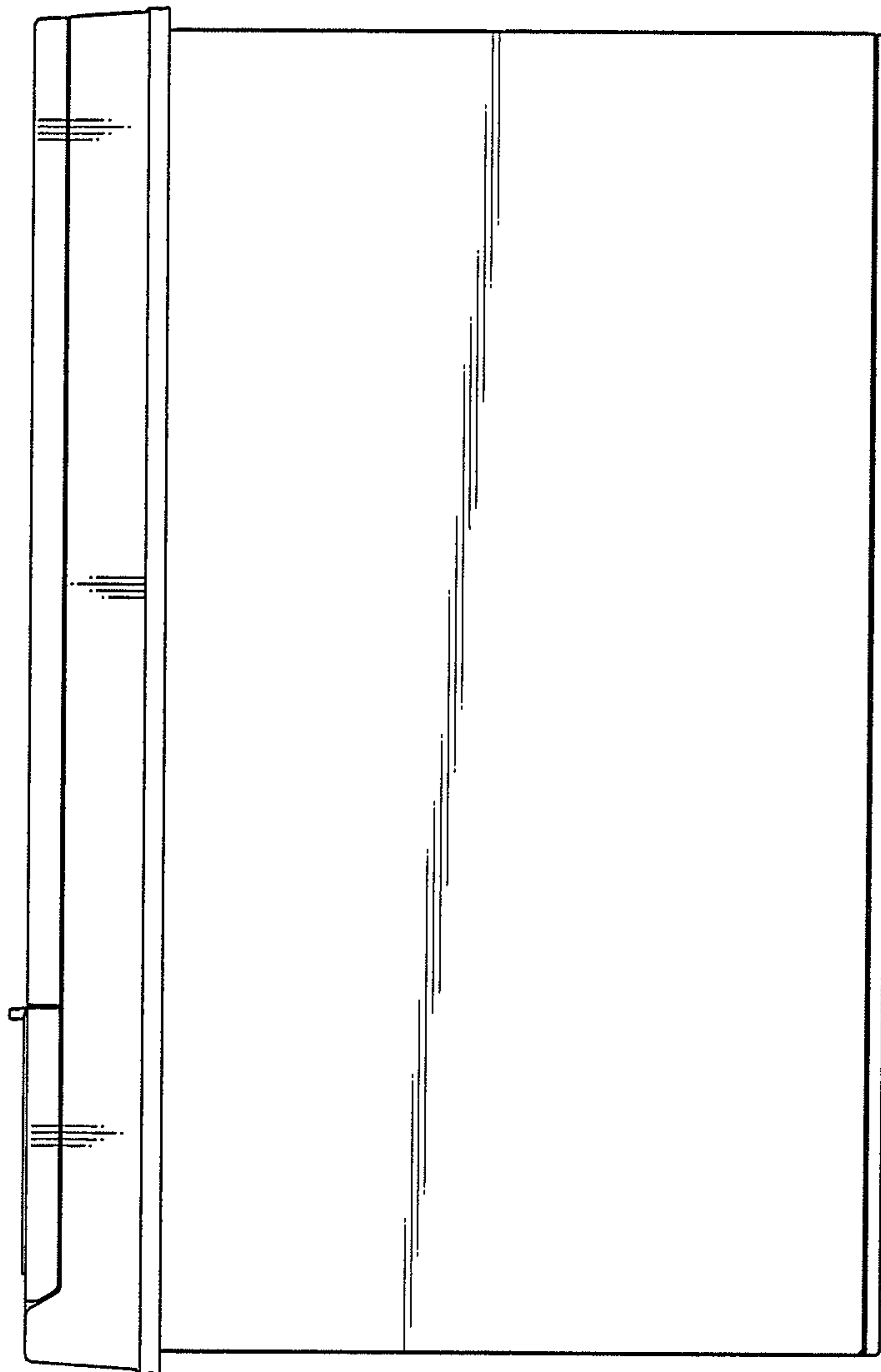


Fig. 6

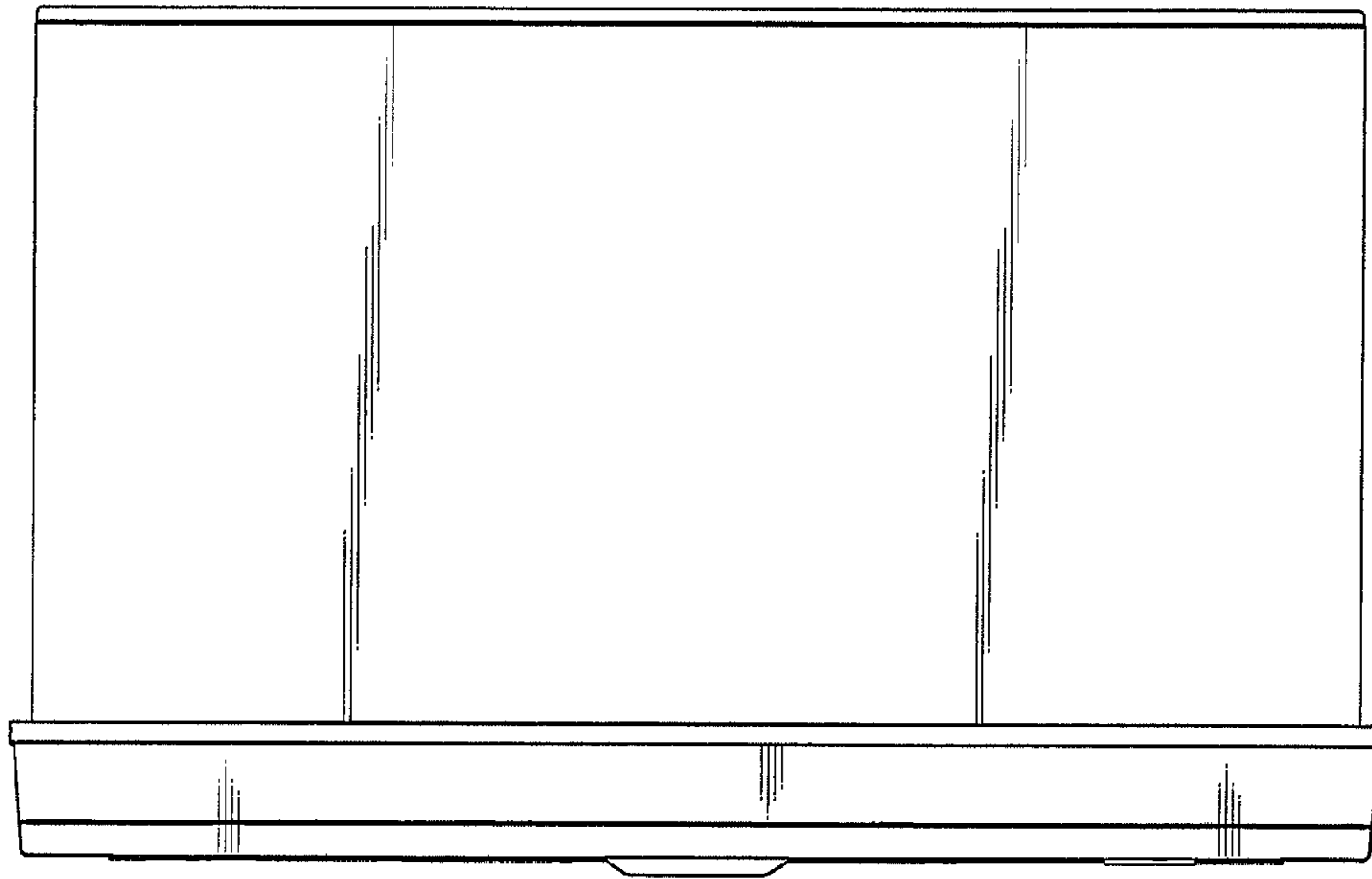


Fig. 7

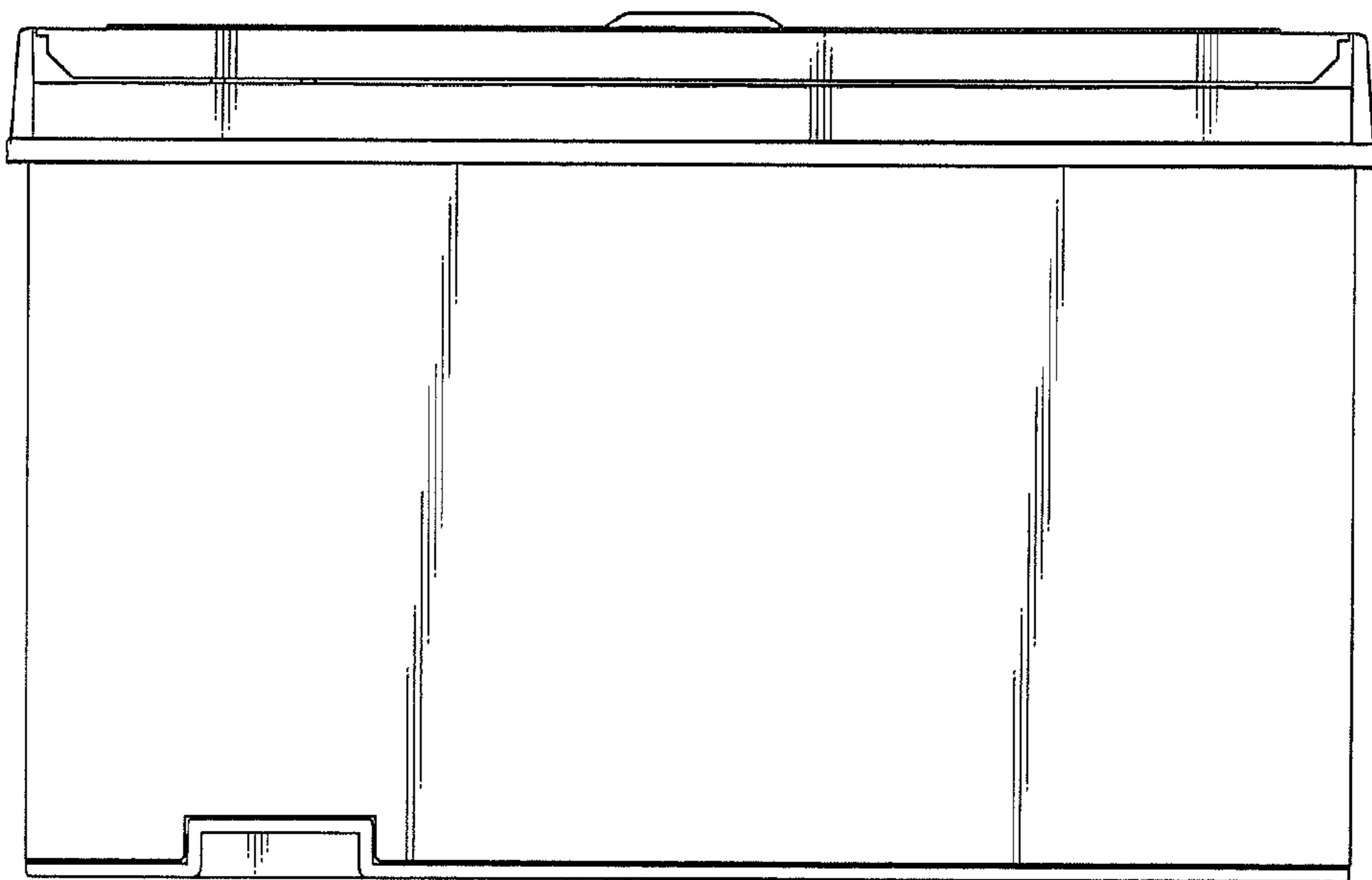


Fig. 8

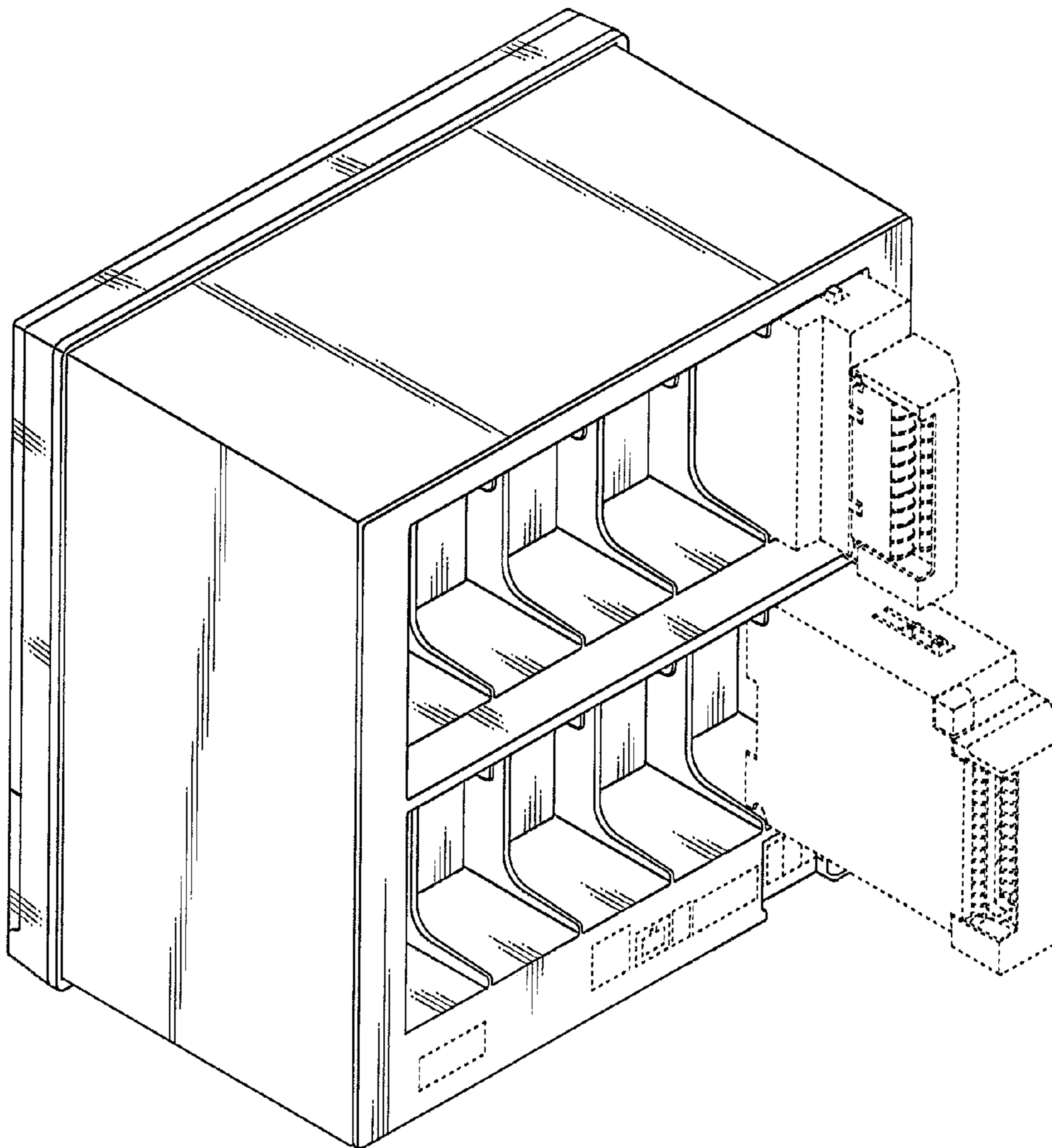


Fig. 9

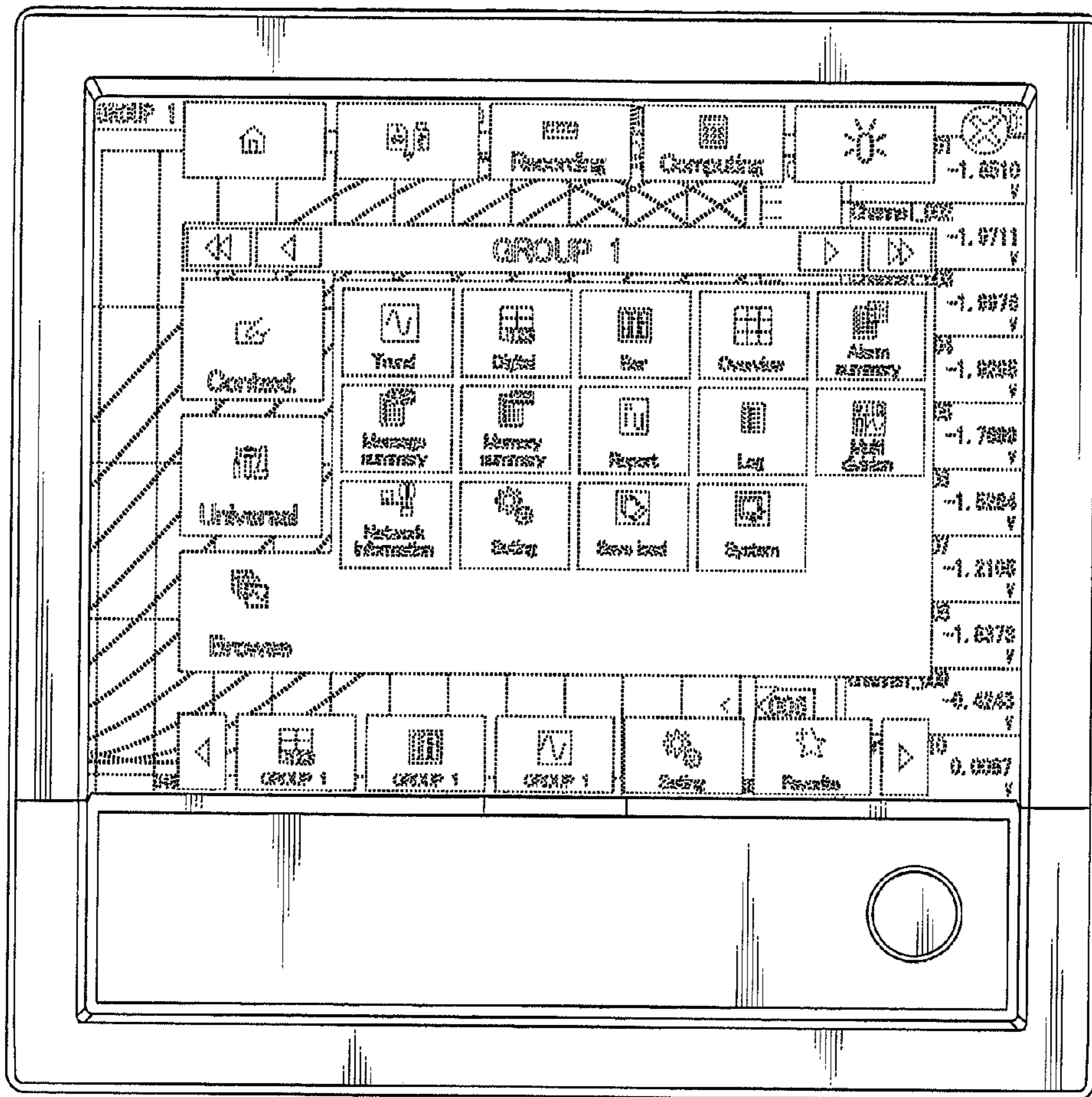


Fig. 10

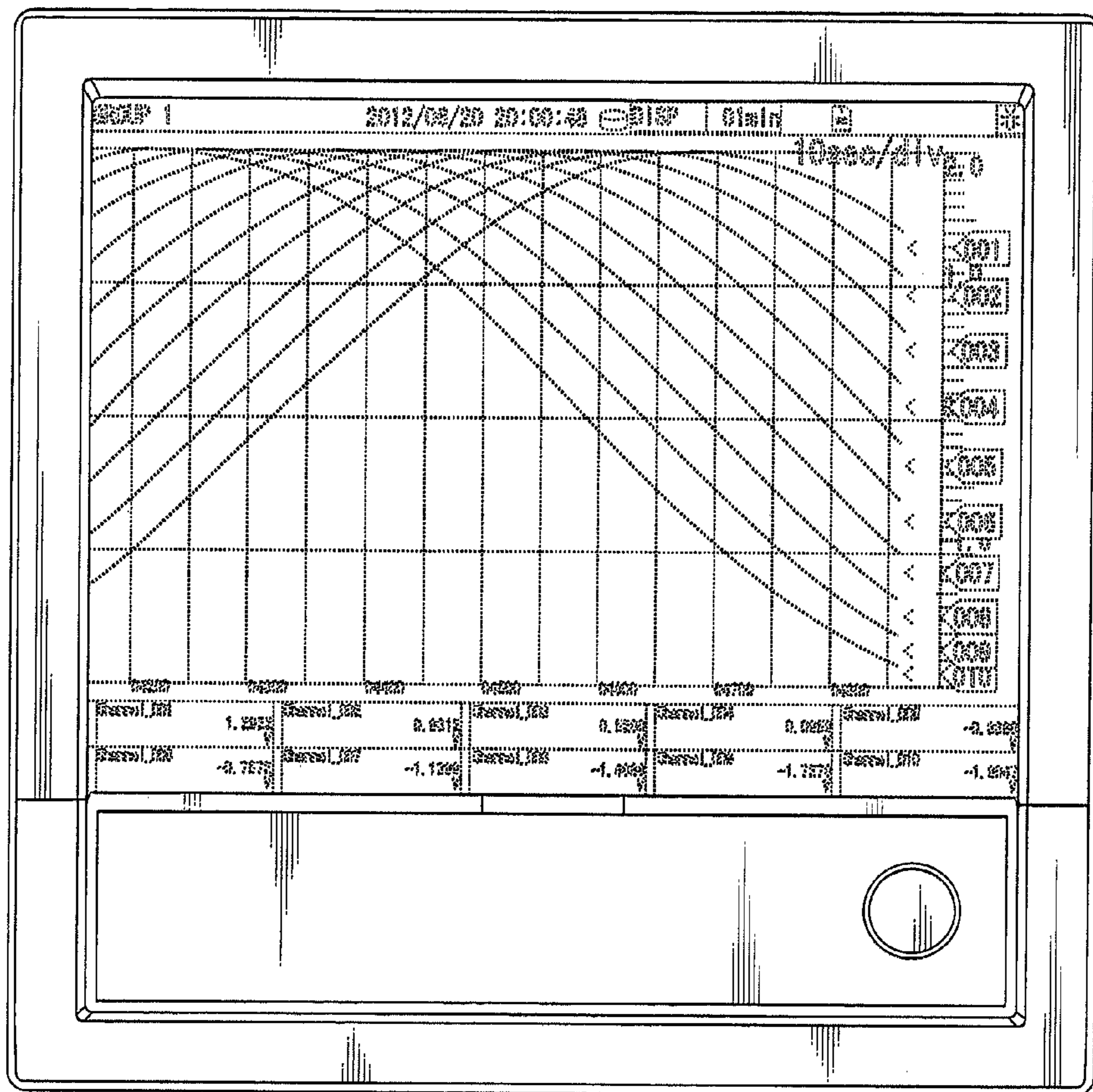


Fig. 11

