



US00D690710S

(12) **United States Design Patent**  
**Clementi**

(10) **Patent No.:** **US D690,710 S**

(45) **Date of Patent:** **\*\* Oct. 1, 2013**

(54) **TABLET HOLDER**

(71) Applicant: **Rosanne G. Clementi**, Tampa, FL (US)

(72) Inventor: **Rosanne G. Clementi**, Tampa, FL (US)

(\*\*) Term: **14 Years**

(21) Appl. No.: **29/446,038**

(22) Filed: **Feb. 20, 2013**

(51) **LOC (9) Cl.** ..... **08-07**

(52) **U.S. Cl.**  
USPC ..... **D14/447**

(58) **Field of Classification Search**  
USPC ..... D6/300, 306, 310; D14/217, 253,  
D14/440, 447; D19/52, 75, 86-92; D20/10,  
D20/27, 39, 40; 40/581, 584, 611.01, 611.06;  
248/460, 917-925; 312/230; 434/408, 410,  
434/415  
See application file for complete search history.

(56) **References Cited**

**U.S. PATENT DOCUMENTS**

481,333	A *	8/1892	Reinfeld	40/745
3,550,786	A *	12/1970	Brown	211/189
4,123,863	A *	11/1978	Becker	40/758
4,204,350	A *	5/1980	Brenner	40/790
D294,888	S *	3/1988	Kazanowski	D6/300
D307,078	S *	4/1990	Guillemet	D6/300
D317,400	S *	6/1991	Loew	D8/382
5,199,681	A *	4/1993	Reidy	248/488

D342,521	S *	12/1993	Sugihara et al.	D14/204
D360,765	S *	8/1995	Te'Kannon	D6/300
D383,497	S *	9/1997	Robertson	D20/10
D510,101	S *	9/2005	Bushey	D19/1
7,436,655	B2 *	10/2008	Homer et al.	361/679.55

\* cited by examiner

*Primary Examiner* — Elizabeth Albert

(74) *Attorney, Agent, or Firm* — Nilay Choksi; David Jacobs; Smith & Hopen, P.A.

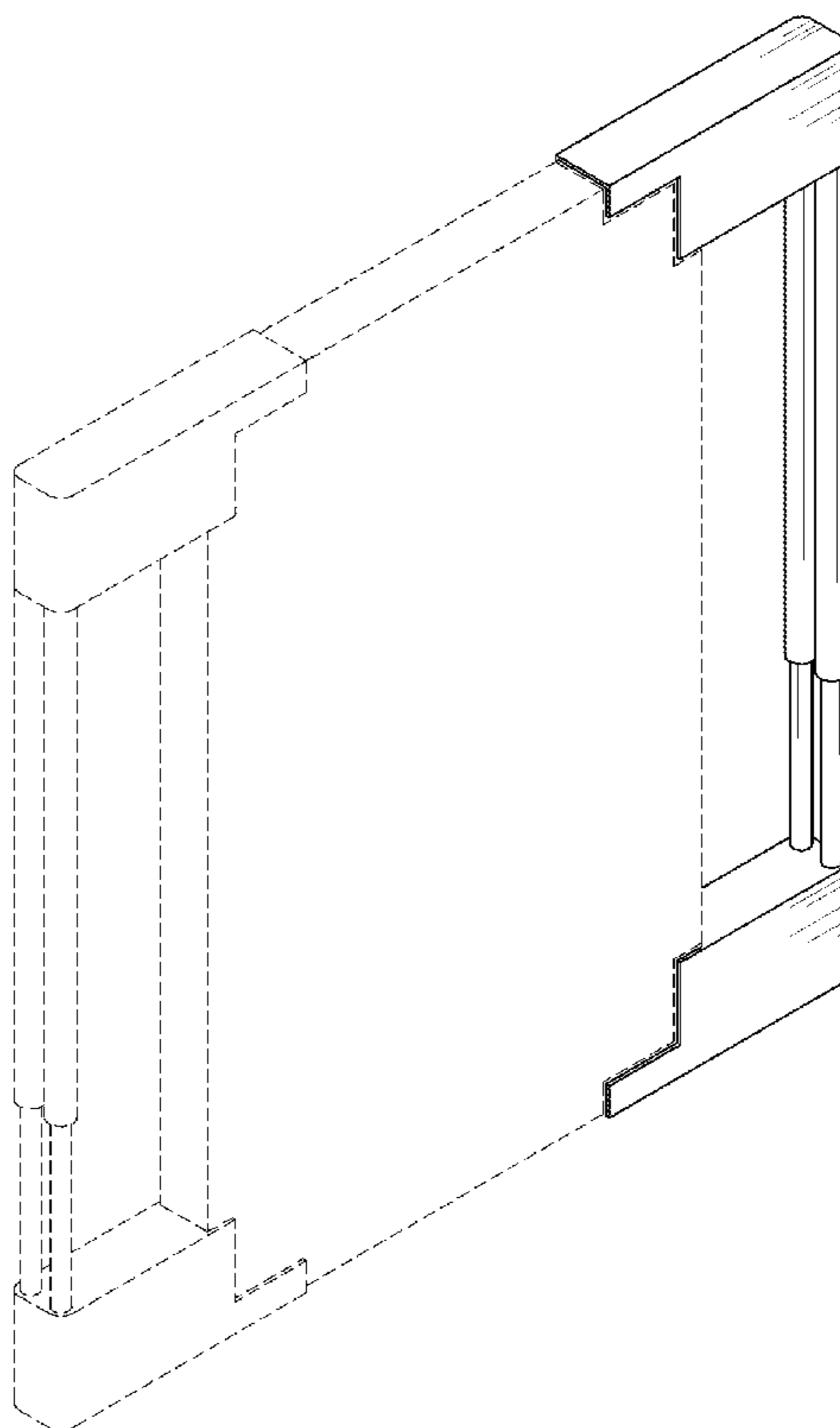
(57) **CLAIM**

The ornamental design for an tablet holder, as substantially shown and described.

**DESCRIPTION**

FIG. 1 is a front, left perspective view of a tablet holder my new design;  
FIG. 2 is a front elevation view of FIG. 1;  
FIG. 3 is a rear elevation view of FIG. 1;  
FIG. 4 is a left side elevation view of FIG. 1;  
FIG. 5 is a right side elevation view of FIG. 1;  
FIG. 6 is a top plan view of FIG. 1;  
FIG. 7 is a bottom plan view of FIG. 1; and,  
FIG. 8 is an exploded perspective view of FIG. 1.  
The broken lines showing the tablet in FIGS. 1-3, 6, and 8-10 are included for the purpose of showing an article that forms no part of the claimed design.

**1 Claim, 8 Drawing Sheets**



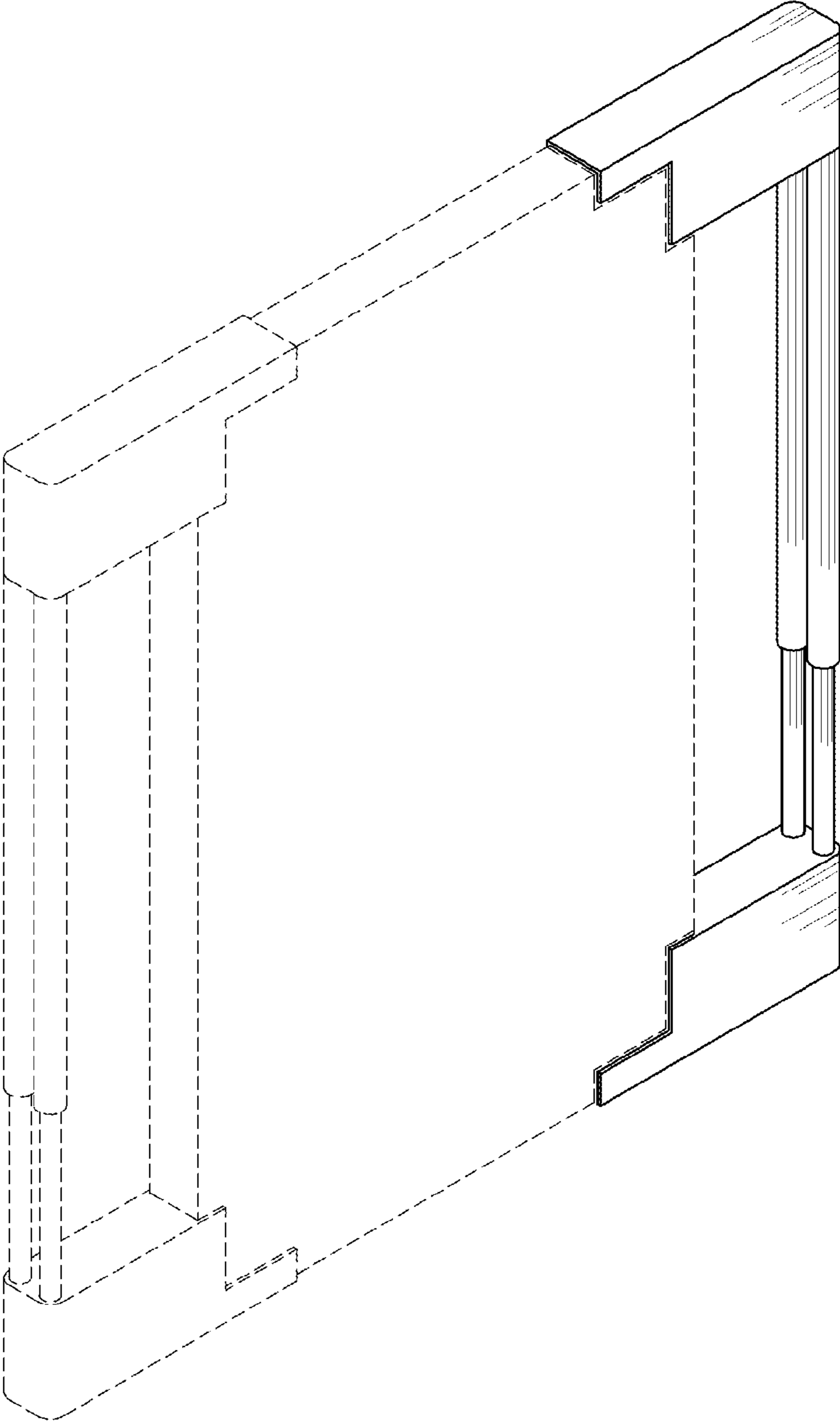


FIG. 1

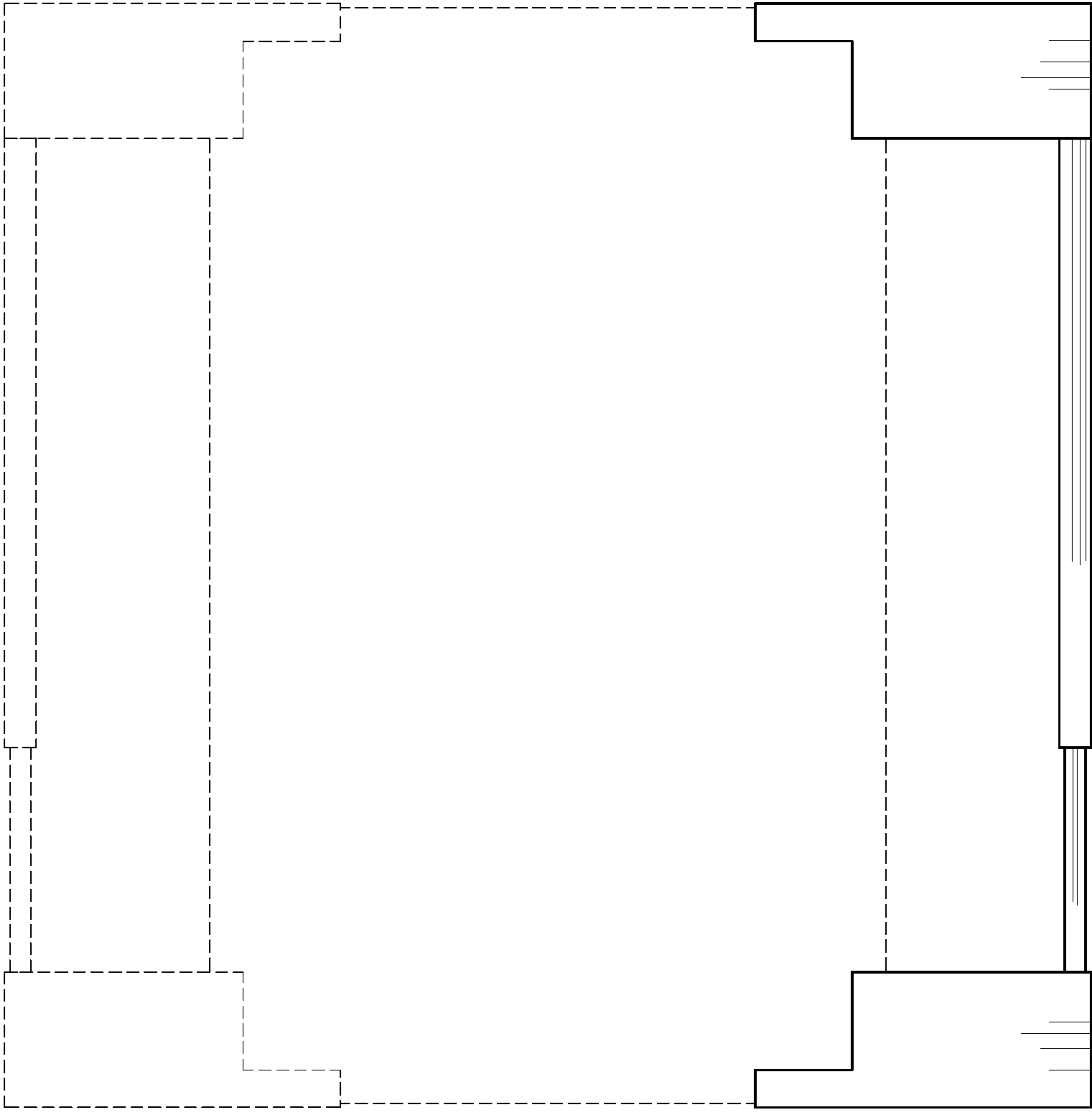


FIG. 2

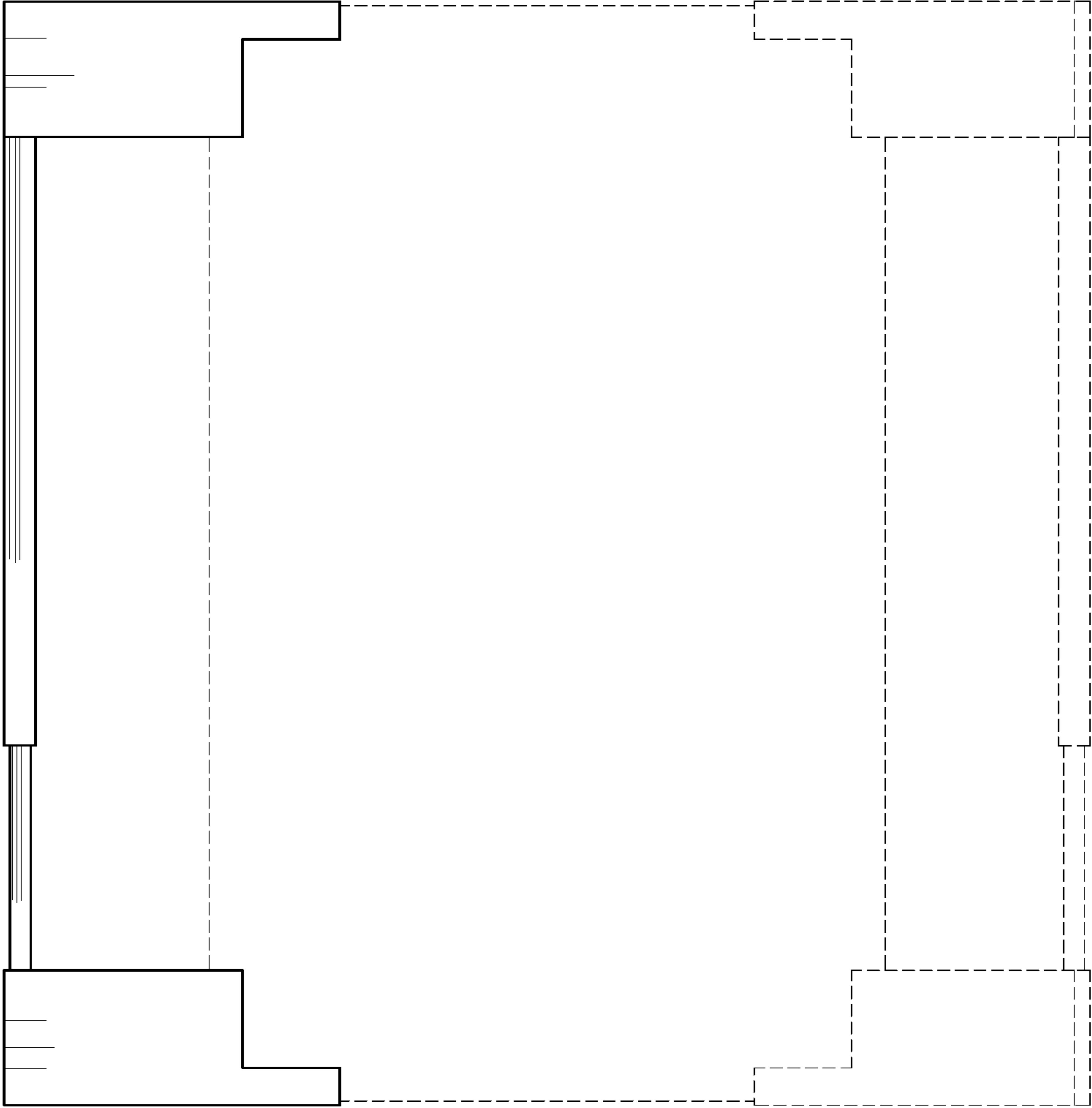


FIG. 3

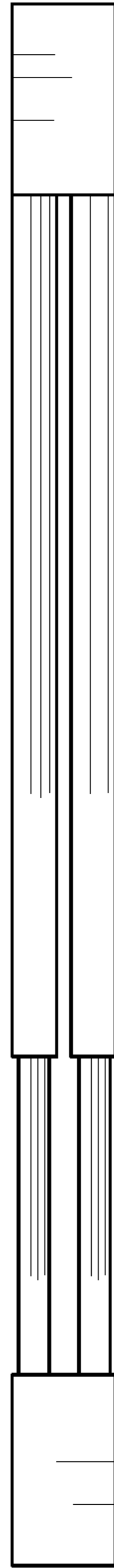


FIG. 4

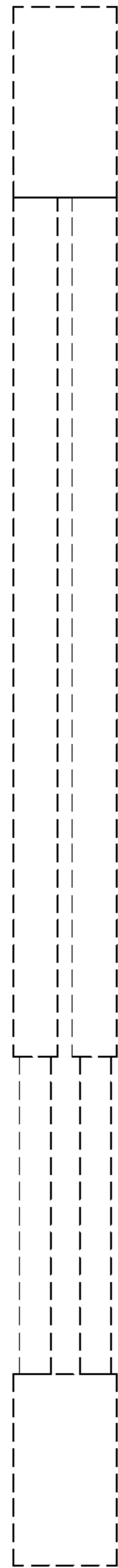


FIG. 5

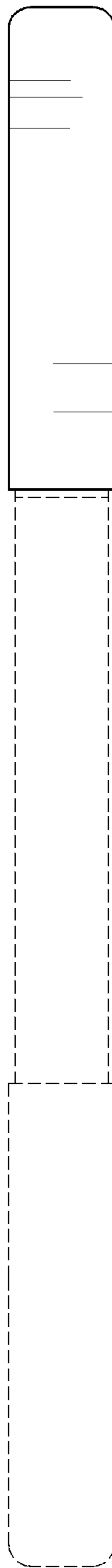


FIG. 6

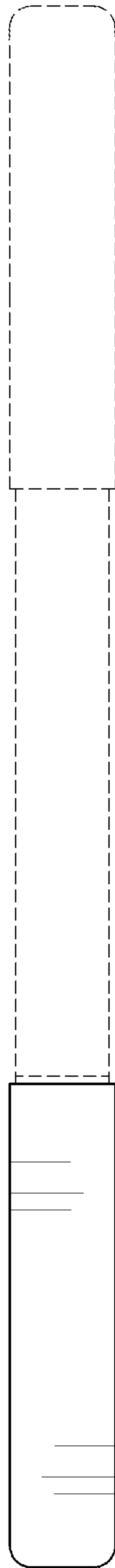


FIG. 7



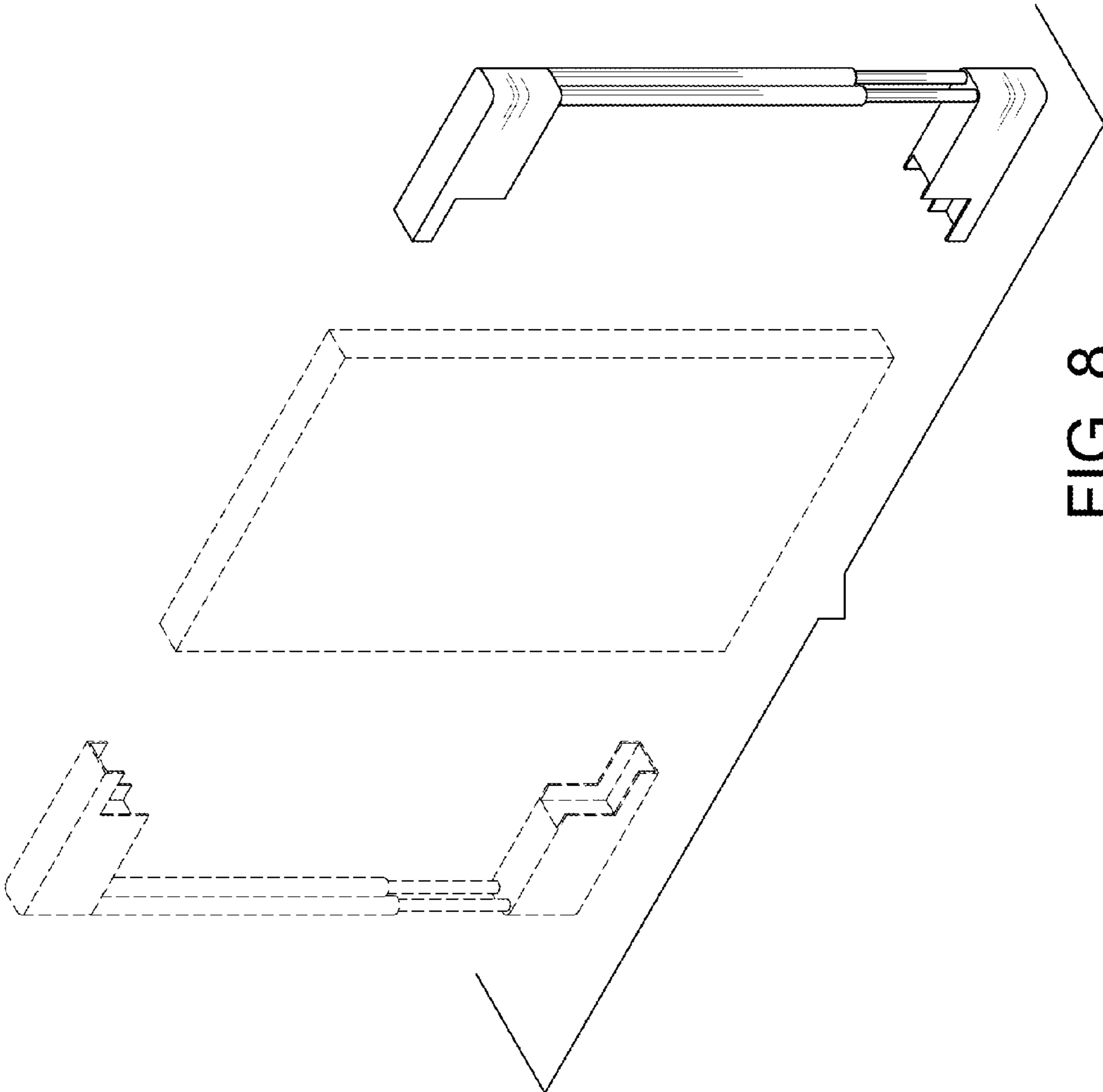


FIG. 8