



US00D690709S

(12) **United States Design Patent**
Clementi

(10) **Patent No.:** **US D690,709 S**

(45) **Date of Patent:** **** Oct. 1, 2013**

(54) **TABLET HOLDER**

(71) Applicant: **Rosanne G. Clementi**, Tampa, FL (US)

(72) Inventor: **Rosanne G. Clementi**, Tampa, FL (US)

(**) Term: **14 Years**

(21) Appl. No.: **29/446,035**

(22) Filed: **Feb. 20, 2013**

(51) **LOC (9) Cl.** **08-07**

(52) **U.S. Cl.**
USPC **D14/447**

(58) **Field of Classification Search**

USPC D6/300, 306, 310; D14/217, 253,
D14/440, 447; D19/52, 75, 86-92; D20/10,
D20/27, 39, 40; 40/581, 584, 611.01, 611.06;
248/460, 917-925; 312/230; 434/408, 410,
434/415; D8/107, 313, 315, 316, 319

See application file for complete search history.

(56) **References Cited**

U.S. PATENT DOCUMENTS

D203,581	S	*	2/1966	Crowley	D8/319
3,683,532	A	*	8/1972	Ankrum	40/358
4,237,636	A	*	12/1980	Matthews	40/607.13
D268,847	S	*	5/1983	Hollister et al.	D19/20
D294,003	S	*	2/1988	Simoncelli	D8/302
D342,521	S	*	12/1993	Sugihara et al.	D14/204
5,479,735	A	*	1/1996	Martin, Jr.	40/593
5,599,189	A	*	2/1997	Kees	434/370

D382,789	S	*	8/1997	Marzec	D8/315
D383,497	S	*	9/1997	Robertson	D20/10
D443,192	S	*	6/2001	Hopf	D8/107
7,241,017	B2	*	7/2007	Ariyoshi	353/79
7,549,246	B2	*	6/2009	Kuo	40/601

* cited by examiner

Primary Examiner — Elizabeth Albert

(74) *Attorney, Agent, or Firm* — Nilay Choksi; David Jacobs; Smith & Hoppen, P.A.

(57) **CLAIM**

The ornamental design for a tablet holder, as substantially shown and described.

DESCRIPTION

FIG. 1 is a front, left perspective view of a tablet holder showing my new design;

FIG. 2 is a front elevation view of FIG. 1;

FIG. 3 is a rear elevation view of FIG. 1;

FIG. 4 is a left side elevation view of FIG. 1;

FIG. 5 is a right side elevation view of FIG. 1;

FIG. 6 is a top plan view of FIG. 1;

FIG. 7 is a bottom plan view of FIG. 1;

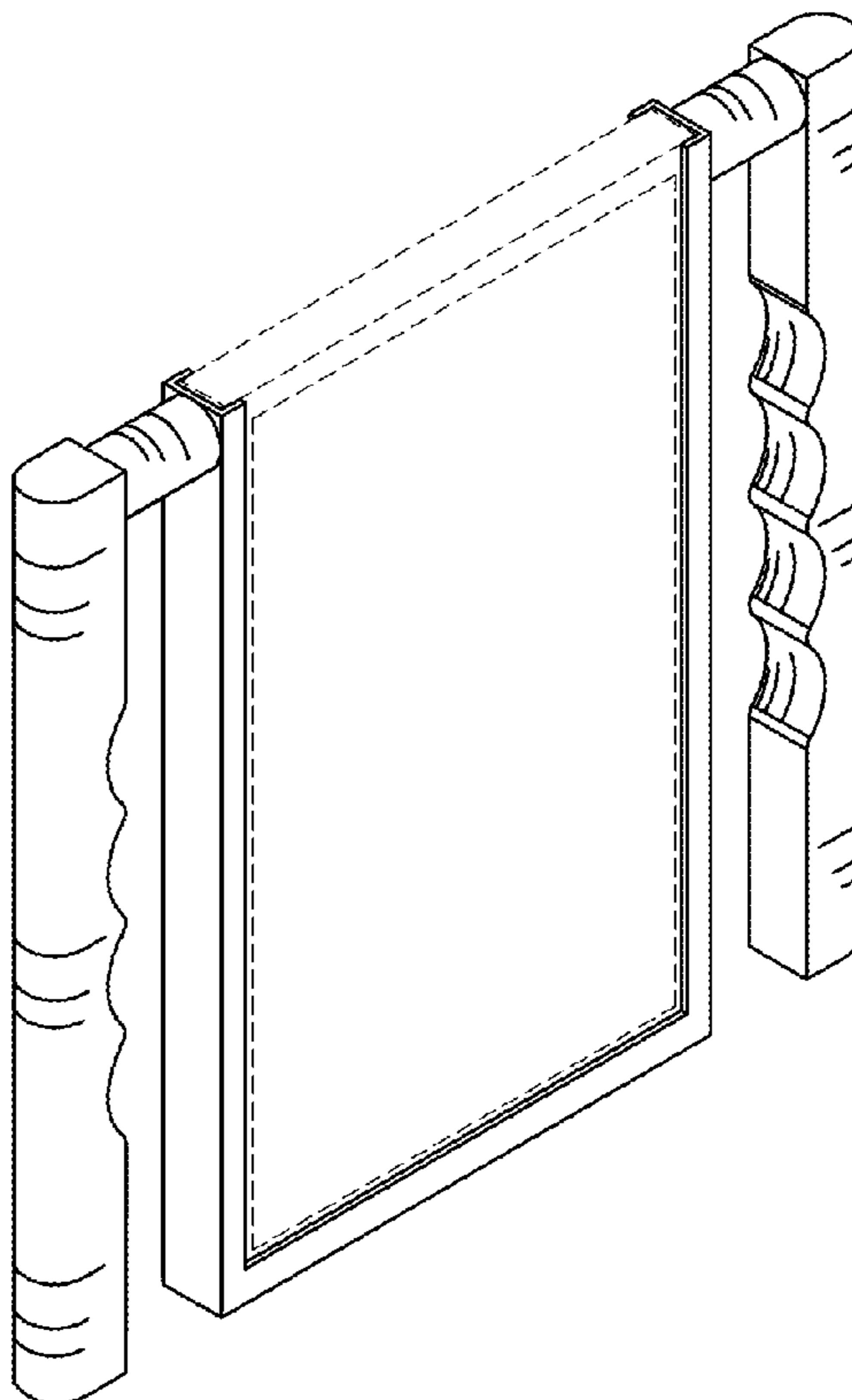
FIG. 8 is an exploded perspective view of FIG. 1;

FIG. 9 is a front, left perspective view of FIG. 1 with the handles in an alternate position; and,

FIG. 10 is a rear, left perspective view of FIG. 9.

The broken lines showing the tablet in FIGS. 1-3, 6, and 8-10 are included for the purpose of showing an article that forms no part of the claimed design.

1 Claim, 10 Drawing Sheets



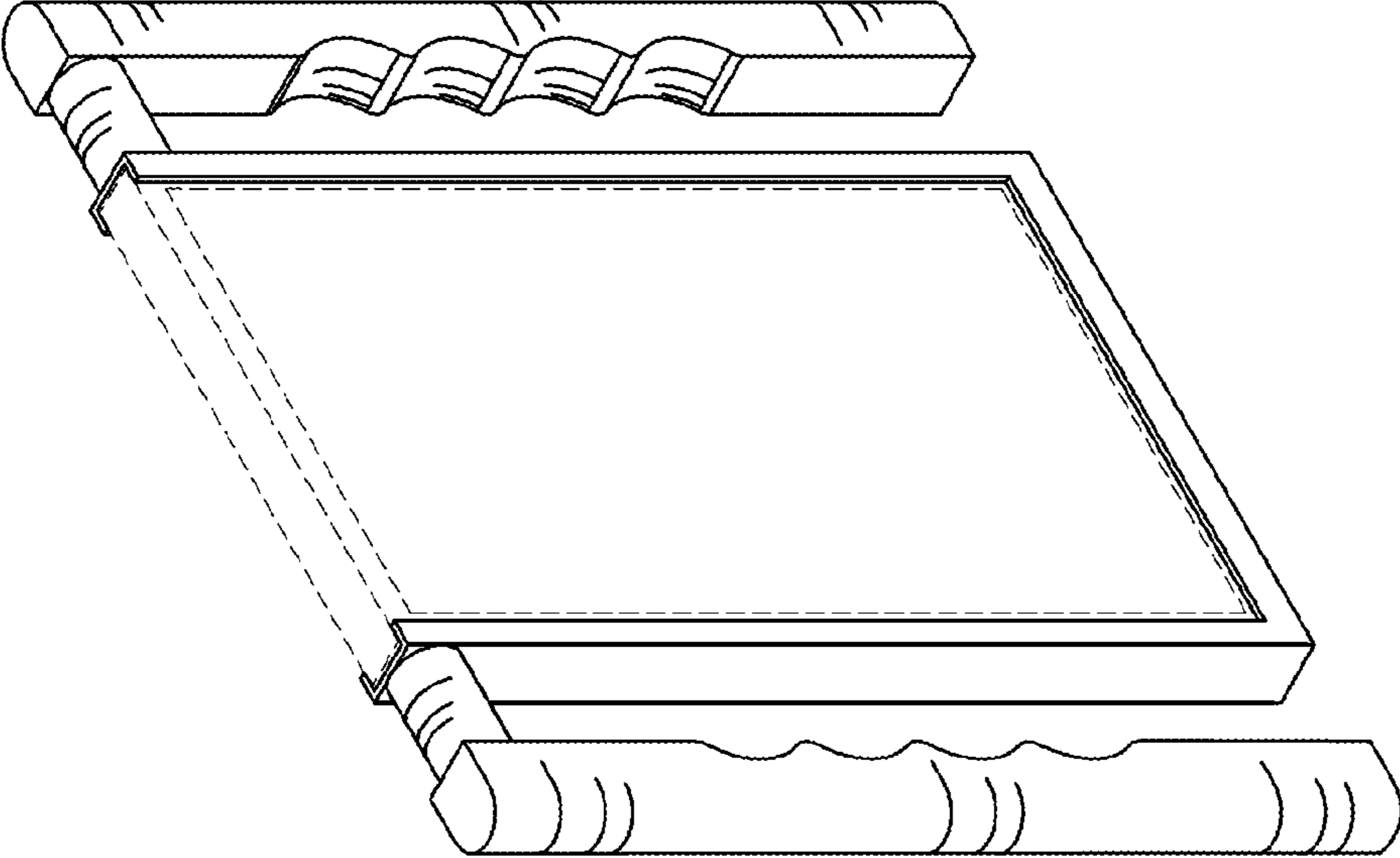


FIG. 1

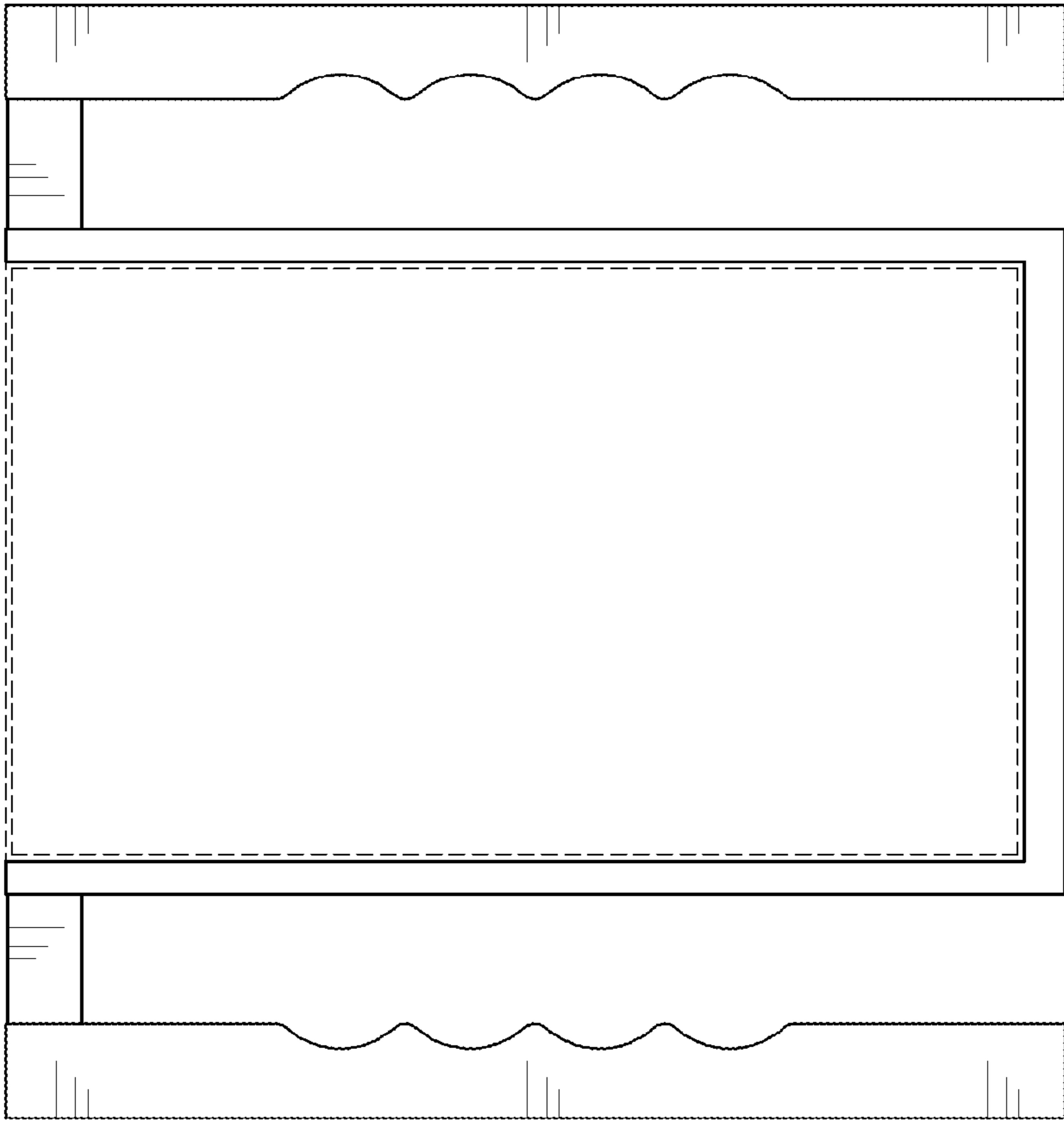


FIG. 2

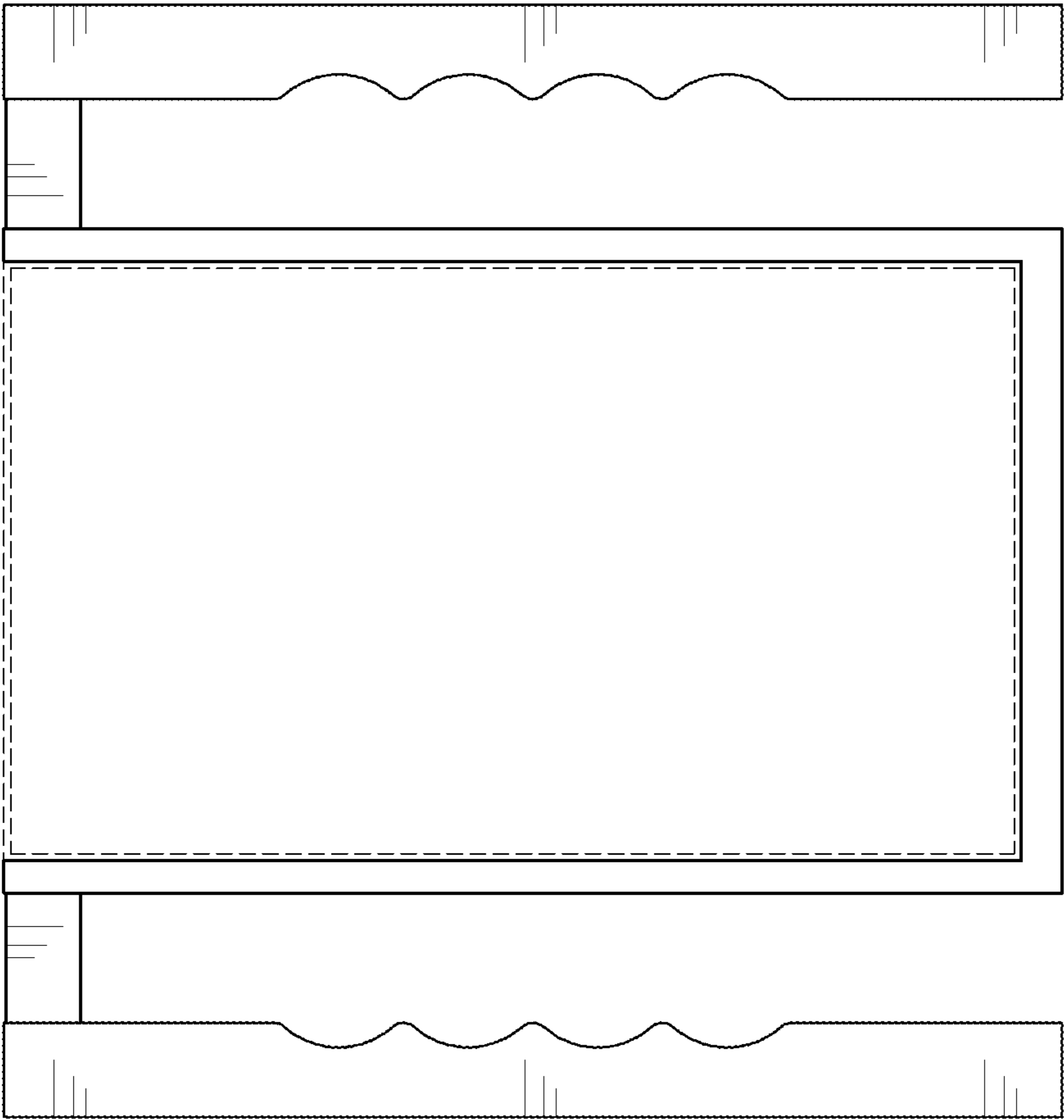


FIG. 3

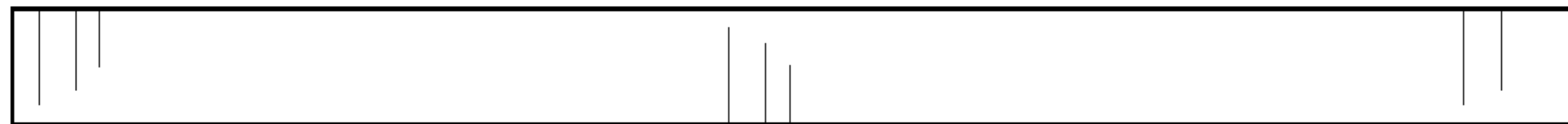


FIG. 4



FIG. 5



FIG. 6



FIG. 7

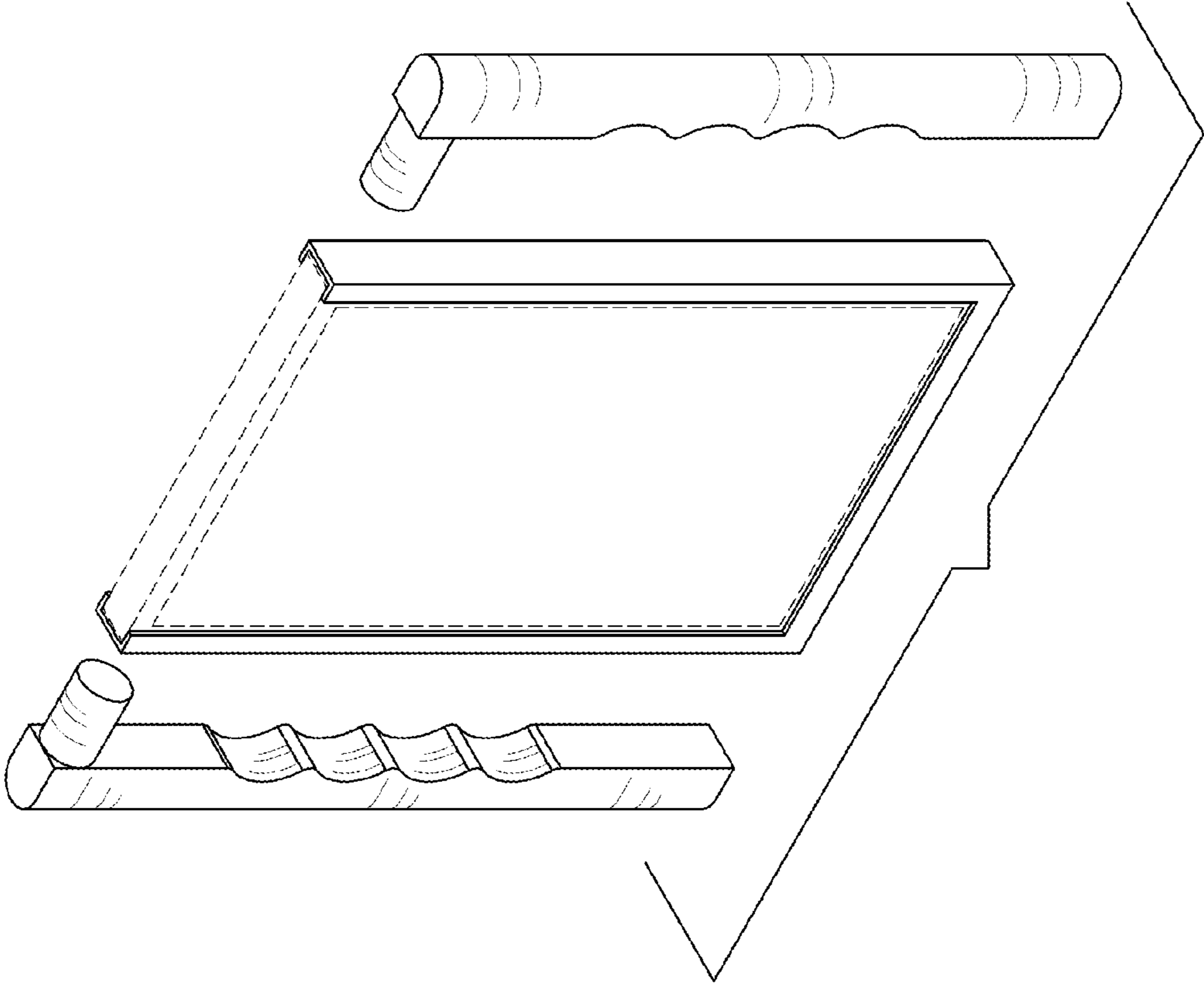


FIG. 8

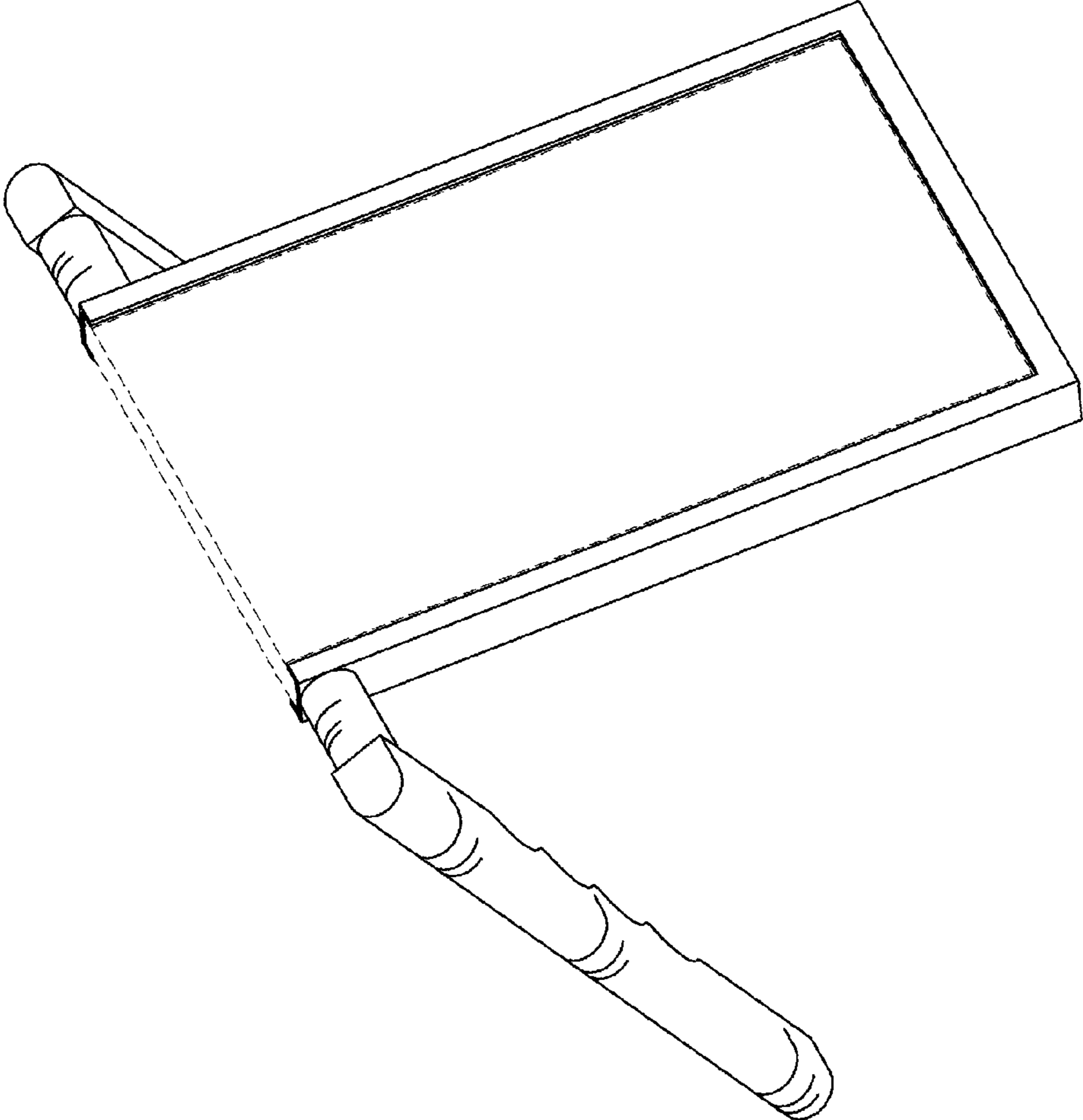


FIG. 9

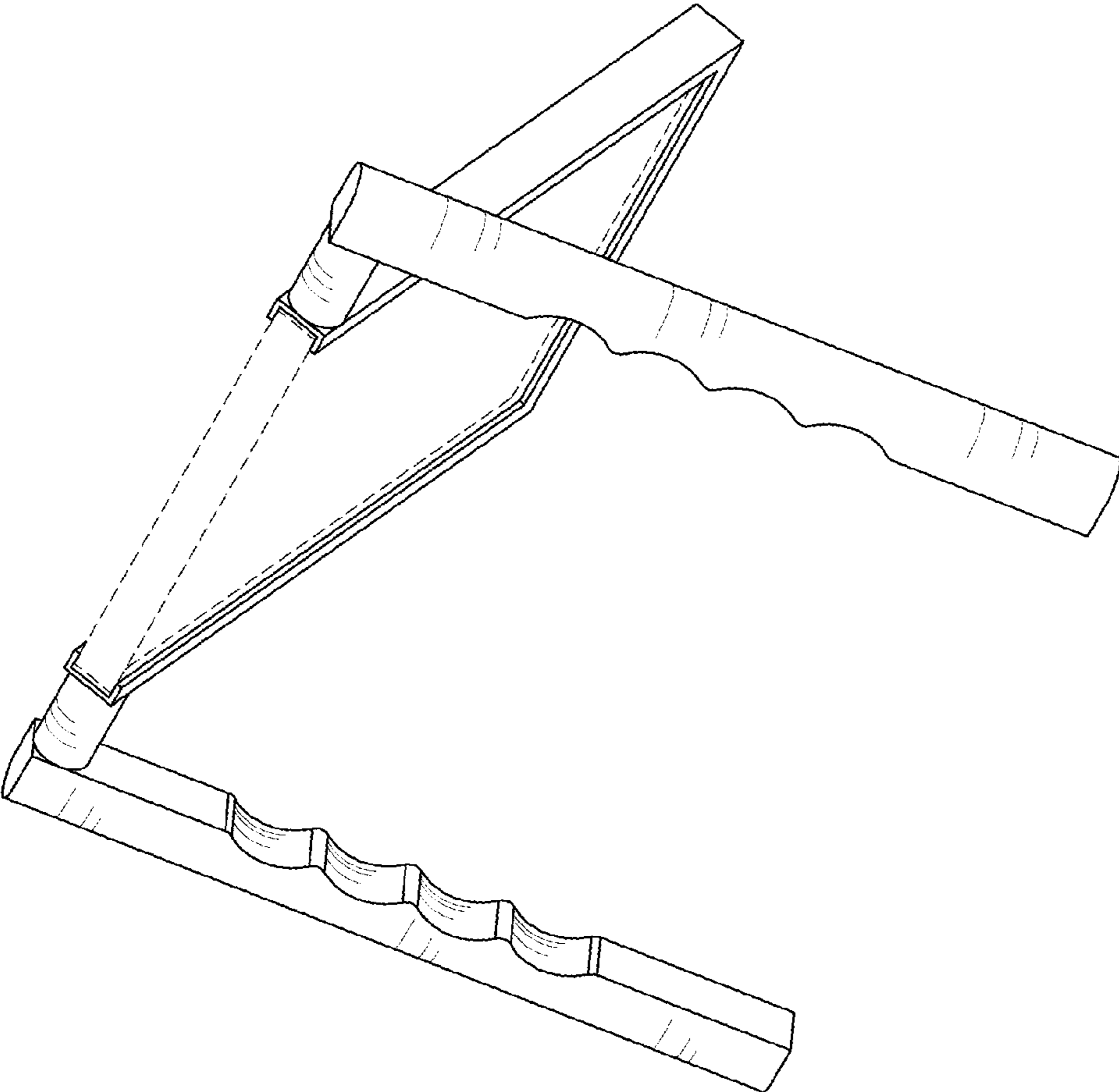


FIG. 10