



US00D690703S

(12) **United States Design Patent**
Welch et al.

(10) **Patent No.:** **US D690,703 S**

(45) **Date of Patent:** **** Oct. 1, 2013**

(54) **PROTECTIVE CASE FOR AN ELECTRONIC DEVICE**

(75) Inventors: **William Welch**, Los Altos, CA (US);
John Hong, Chicago, IL (US)

(73) Assignee: **Uncommon LLC**, Chicago, IL (US)

(**) Term: **14 Years**

(21) Appl. No.: **29/415,029**

(22) Filed: **Mar. 6, 2012**

(51) **LOC (9) Cl.** **14-02**

(52) **U.S. Cl.**
USPC **D14/440**

(58) **Field of Classification Search**
USPC D14/447, 440, 439, 250, 251, 252,
D14/432; 361/679.56; 220/4.02
See application file for complete search history.

(56) **References Cited**

U.S. PATENT DOCUMENTS

D469,438 S *	1/2003	Corrales	D14/432
7,542,052 B2 *	6/2009	Solomon et al.	345/659
D609,226 S *	2/2010	Hofer et al.	D14/248
D646,266 S *	10/2011	Kim et al.	D14/250
D659,139 S *	5/2012	Gengler	D14/392
D662,503 S *	6/2012	Akana et al.	D14/439
D665,809 S *	8/2012	Wang et al.	D14/439

D673,958 S *	1/2013	Fathollahi	D14/440
D674,798 S *	1/2013	Kim et al.	D14/440
D675,210 S *	1/2013	Kim	D14/440
D675,624 S *	2/2013	Wibby et al.	D14/440

* cited by examiner

Primary Examiner — Cynthia Underwood

(74) *Attorney, Agent, or Firm* — Bishop & Diehl, Ltd.

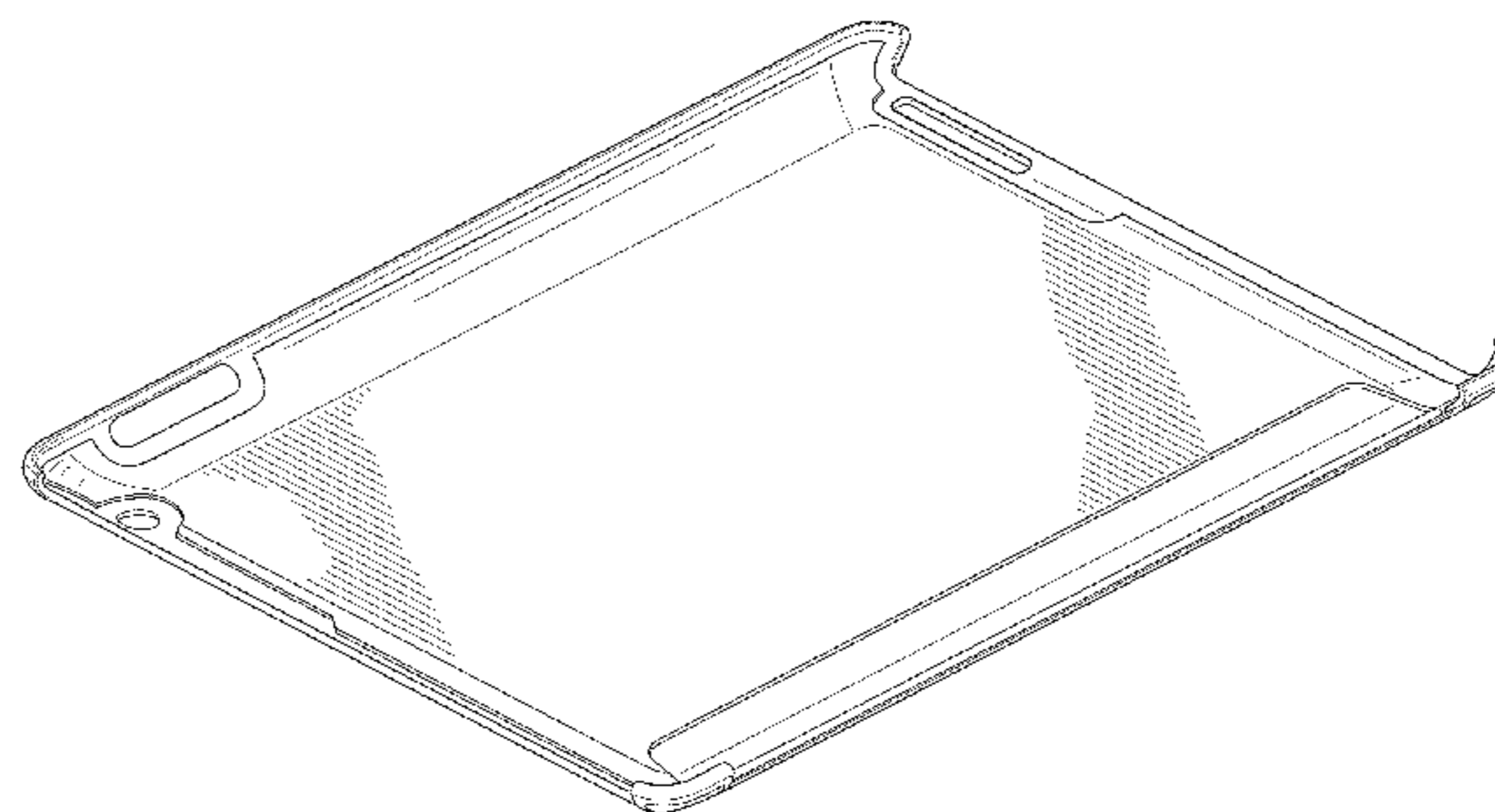
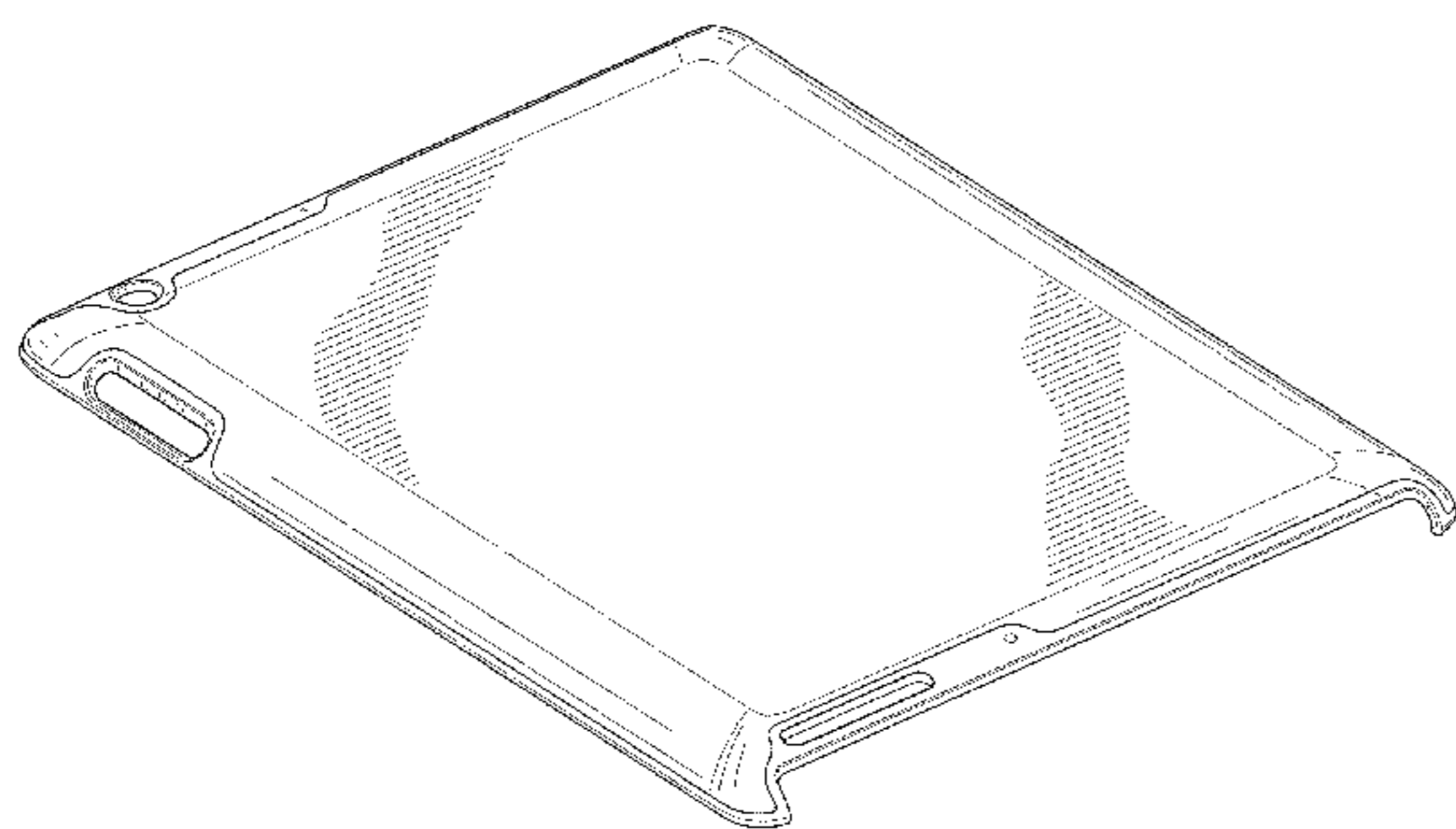
(57) **CLAIM**

The ornamental design for the protective case for an electronic device, as shown and described.

DESCRIPTION

FIG. 1 is a rear perspective view of the protective case of the new design;
FIG. 2 is a front perspective view of the protective case of the new design;
FIG. 3 is a rear plan view of the protective case;
FIG. 4 is a front plan view of the protective case;
FIG. 5 is a left side view of the protective case;
FIG. 6 is a right side view of the protective case;
FIG. 7 is a top side elevational view of the protective case;
FIG. 8 is a bottom side elevational view of the protective case;
and,
FIG. 9 is a front perspective view showing the protective case shown in an environment of use attached to a tablet computer, with the broken lines forming no part of the claim.

1 Claim, 7 Drawing Sheets



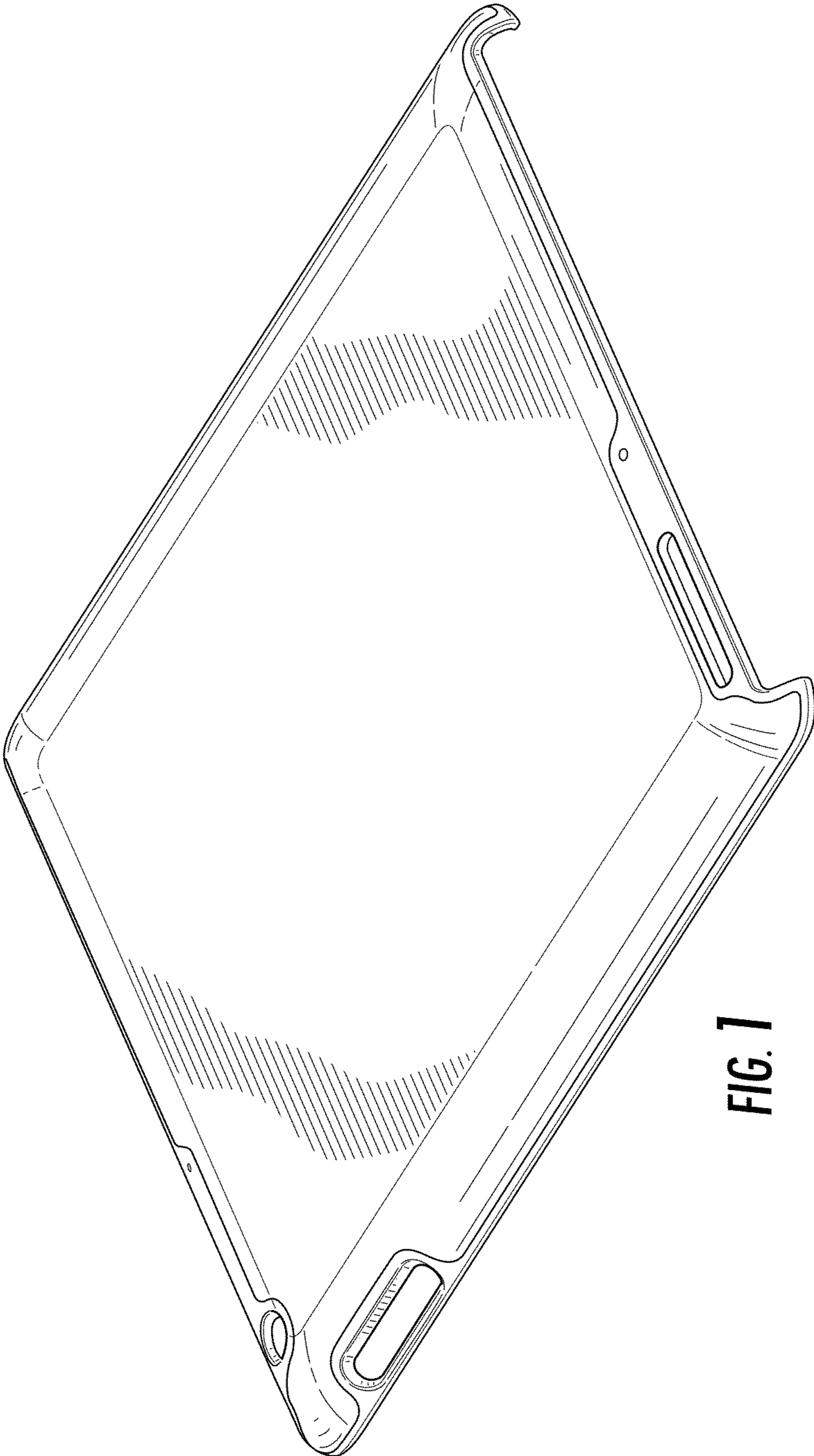


FIG. 1

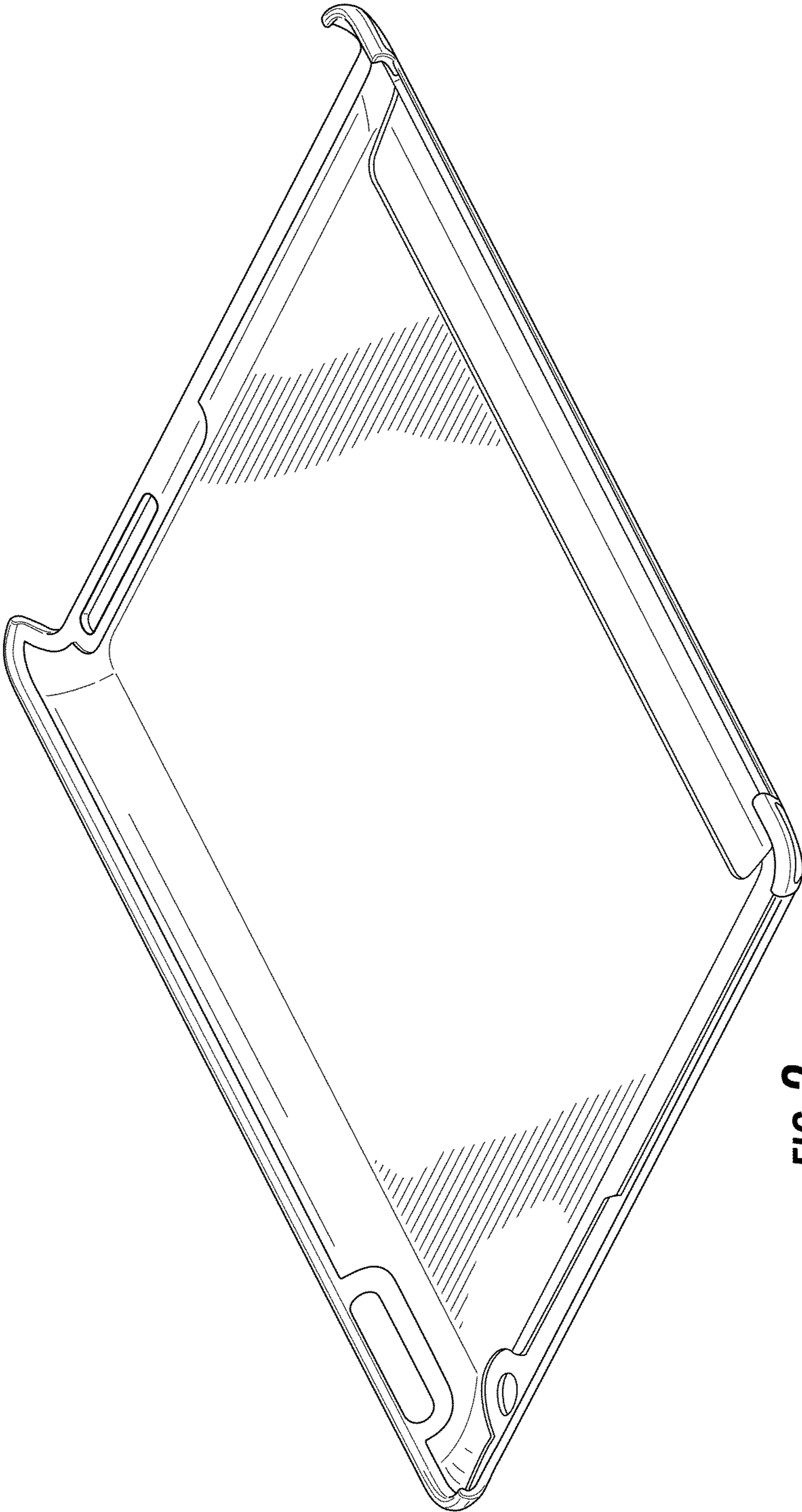


FIG. 2

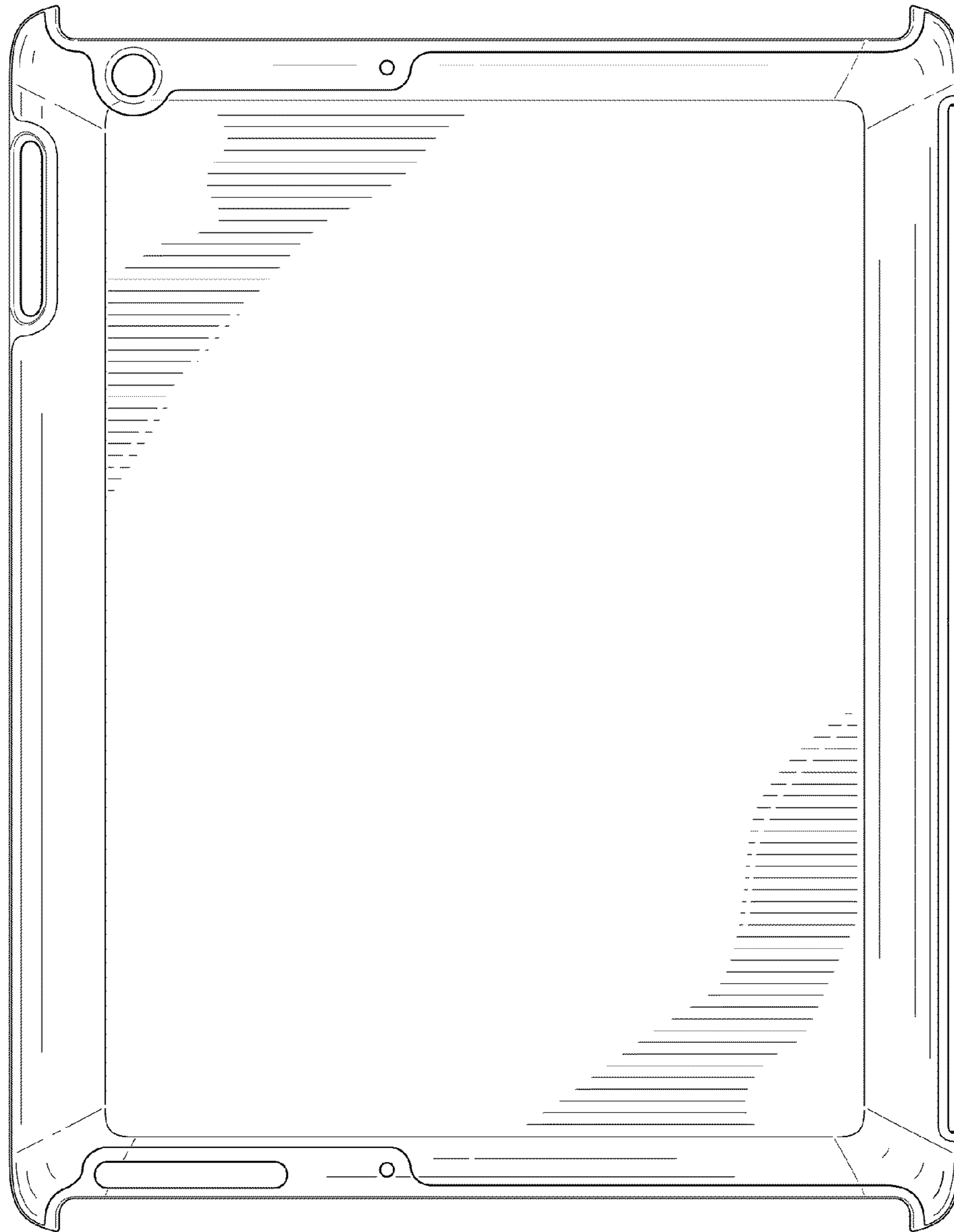


FIG. 3

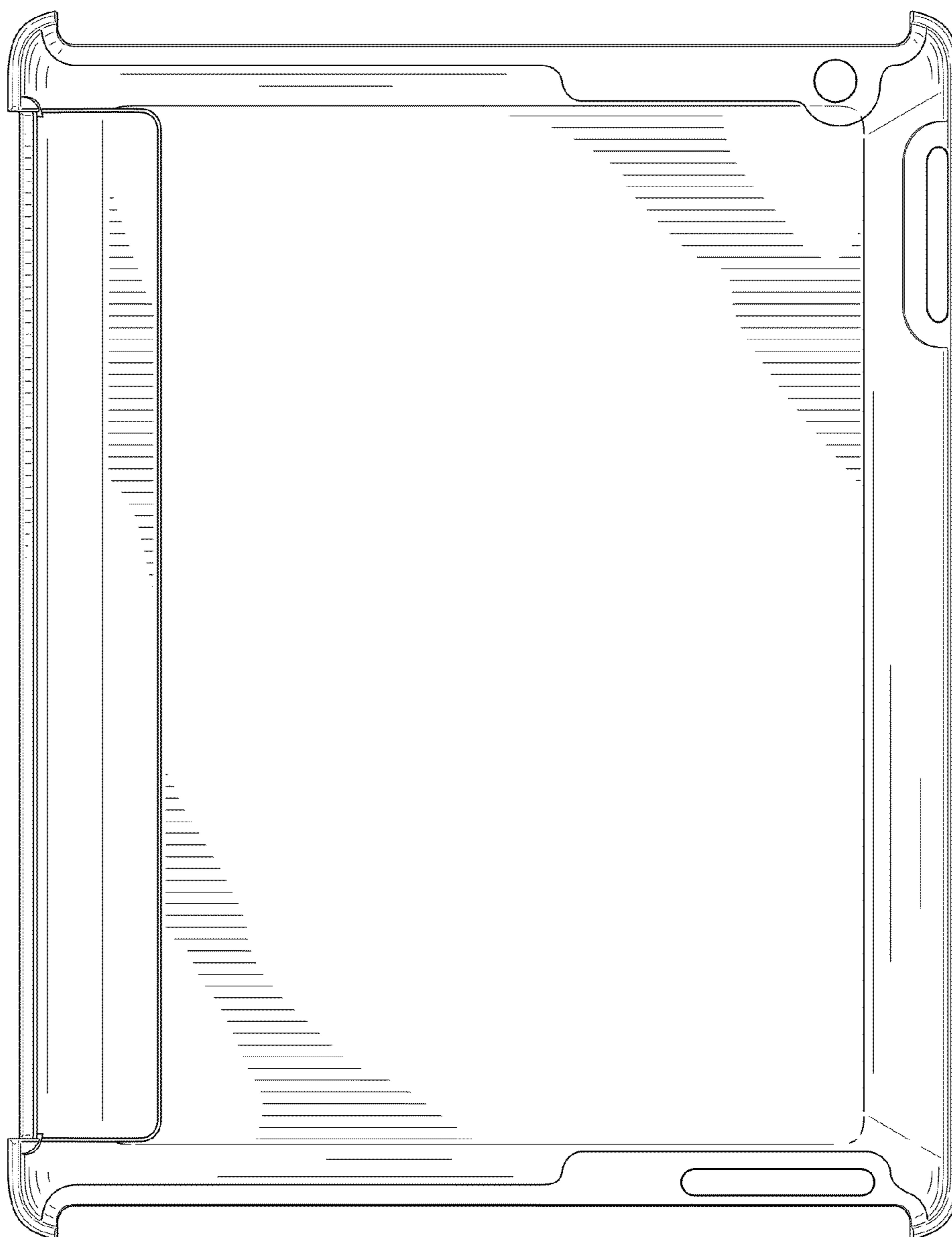


FIG. 4

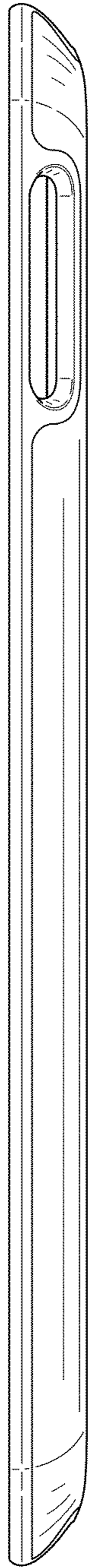


FIG. 5

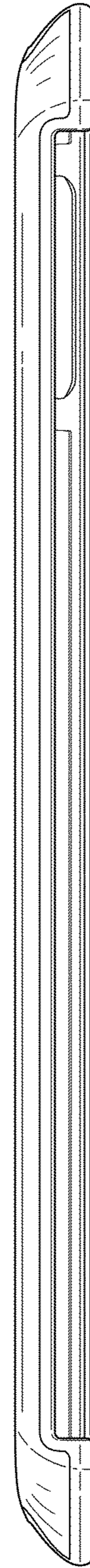


FIG. 6

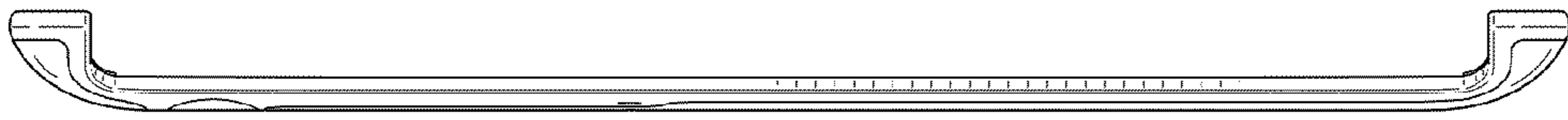


FIG. 7

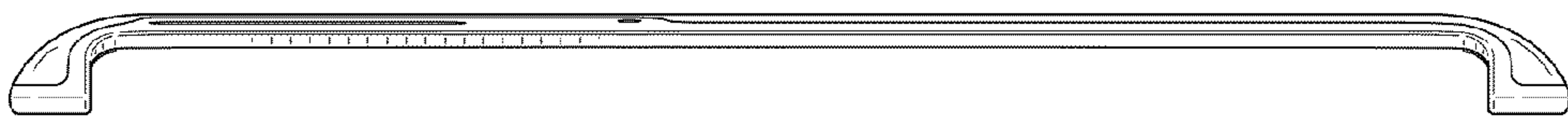


FIG. 8

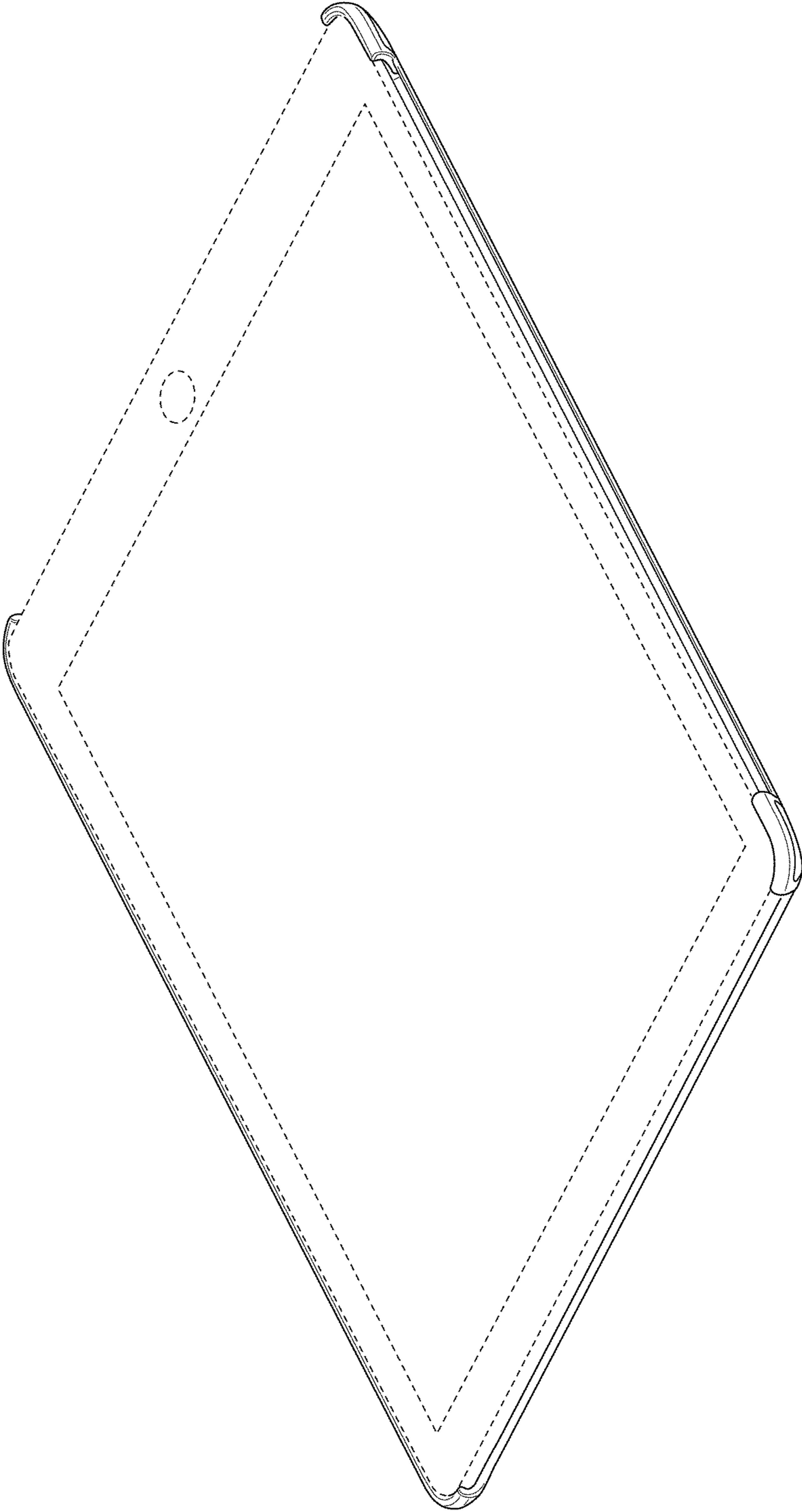


FIG. 9