



US00D690702S

(12) **United States Design Patent**
Chung

(10) **Patent No.:** **US D690,702 S**

(45) **Date of Patent:** **** Oct. 1, 2013**

(54) **CASE FOR TABLET PC**
(75) Inventor: **JaeWoong Chung**, Sunghamsi (KR)
(73) Assignee: **Samsung Electronics Co., Ltd.**,
Gyeonggi-do (KR)

D584,314	S *	1/2009	Davis et al.	D14/440
7,542,052	B2 *	6/2009	Solomon et al.	345/659
D609,226	S *	2/2010	Hofer et al.	D14/248
8,016,107	B2 *	9/2011	Emsky	206/320
D646,266	S *	10/2011	Kim et al.	D14/250
D648,529	S *	11/2011	Brown	D3/269
D654,069	S *	2/2012	Kwon et al.	D14/250
8,132,670	B1 *	3/2012	Chen	206/320

(**) Term: **14 Years**

(Continued)

(21) Appl. No.: **29/413,433**

Primary Examiner — Cynthia Underwood

(22) Filed: **Feb. 15, 2012**

(74) *Attorney, Agent, or Firm* — Harness, Dickey & Pierce,
P.L.C.

(51) **LOC (9) Cl.** **14-02**

(57) **CLAIM**

(52) **U.S. Cl.**
USPC **D14/440**

I claim the ornamental design for a case for tablet PC, as shown.

(58) **Field of Classification Search**
USPC D14/250, 251, 253, 240, 217, 496,
D14/440, 203.3, 203.4, 203.5, 203.8, 432,
D14/439, 300, 447, 346, 443; D3/218, 215,
D3/201; 220/4.02; 248/309.1, 459;
361/679.56, 679.03; 379/426, 433.11, 455;
455/575.1, 575.8; 190/100; 206/305, 320;
D19/86

DESCRIPTION

See application file for complete search history.

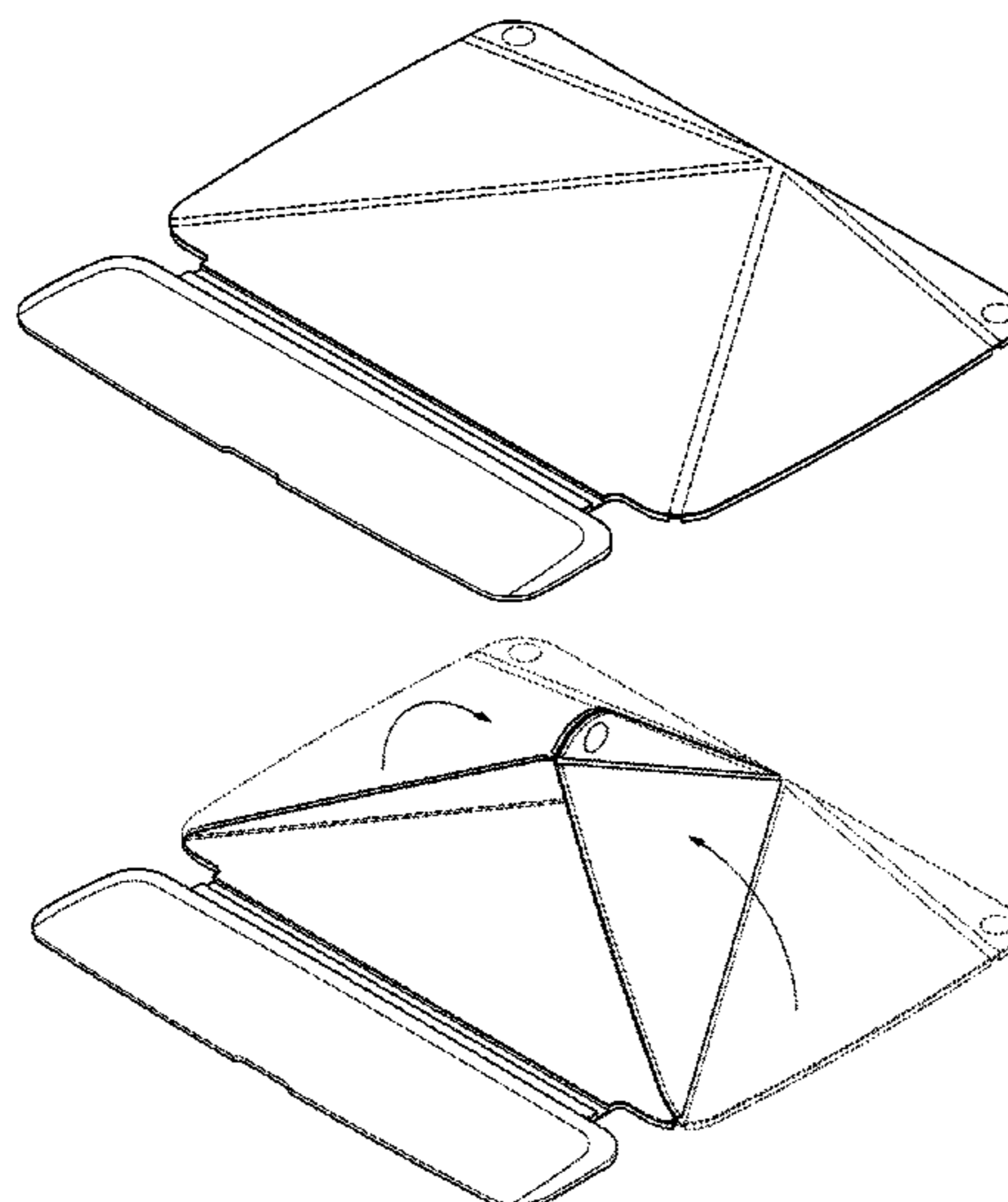
FIG. 1 is a front/right-side/top perspective view of a case for tablet PC showing our new design;
FIG. 2 is a front-side elevational view thereof;
FIG. 3 is a rear-side elevational view thereof;
FIG. 4 is a left-side elevational view thereof;
FIG. 5 is a right-side elevational view thereof;
FIG. 6 is a top-side elevational view thereof;
FIG. 7 is a bottom-side elevational view thereof.
FIG. 8 is a view of the case for tablet PC showing my new design; the broken lines shown in FIG. 8 are for the purpose of illustrating a tablet PC that is not part of the claimed design, but is considered necessary to show the environment in which the design is associated and forms no part of the claimed design.
FIG. 9 is a folded view of the case for tablet PC showing my new design; and,
FIG. 10 is a view of the case for tablet PC showing my new design; the broken lines shown in FIG. 10 are for the purpose of illustrating a tablet PC that is not part of the claimed design, but is considered necessary to show the environment in which the design is associated and forms no part of the claimed design.

(56) **References Cited**

U.S. PATENT DOCUMENTS

681,976	A *	9/1901	Rathvon	248/456
1,370,279	A *	3/1921	Burzynski	211/43
2,354,782	A *	8/1944	Stradling et al.	281/16
2,726,835	A *	12/1955	Hummel	248/459
4,318,527	A *	3/1982	Smith	248/459
4,703,160	A *	10/1987	Narishima et al.	235/1 D
4,718,550	A *	1/1988	Johnson	206/387.13
D466,356	S *	12/2002	Marsilio	D6/632
6,493,969	B2 *	12/2002	Devos	40/120
D469,438	S *	1/2003	Corrales	D14/432
D471,008	S *	3/2003	Dubone	D3/247
D478,623	S *	8/2003	Wilburn	D19/26
6,646,672	B2 *	11/2003	Feierbach	348/14.02
D546,878	S *	7/2007	Bharma	D19/26
7,318,521	B2 *	1/2008	Lau	206/45.24
D581,865	S *	12/2008	Koza	D13/102

1 Claim, 7 Drawing Sheets



(56)

References Cited

U.S. PATENT DOCUMENTS

D659,139 S *	5/2012	Gengler	D14/392	8,245,843 B1 *	8/2012	Wu	206/320
D662,100 S *	6/2012	Van Den Nieuwenhuizen et al.	D14/440	D672,781 S *	12/2012	Lu	D14/440
D662,503 S *	6/2012	Akana et al.	D14/439	D673,158 S *	12/2012	Yang et al.	D14/440
D663,304 S *	7/2012	Akana et al.	D14/440	2009/0194209 A1 *	8/2009	De Filippis et al.	150/107
8,230,992 B2 *	7/2012	Law et al.	206/320	2010/0289390 A1 *	11/2010	Kenney	312/223.1
D665,809 S *	8/2012	Wang et al.	D14/439	2012/0043231 A1 *	2/2012	Perrier et al.	206/216
8,235,208 B2 *	8/2012	Sirichai et al.	206/320	2012/0170212 A1 *	7/2012	Gallouzi et al.	361/679.56
				2012/0194448 A1 *	8/2012	Rothkopf	345/173
				2012/0211613 A1 *	8/2012	Yang et al.	248/174
				2012/0212896 A1 *	8/2012	Schulz	361/679.02

* cited by examiner

FIG. 1

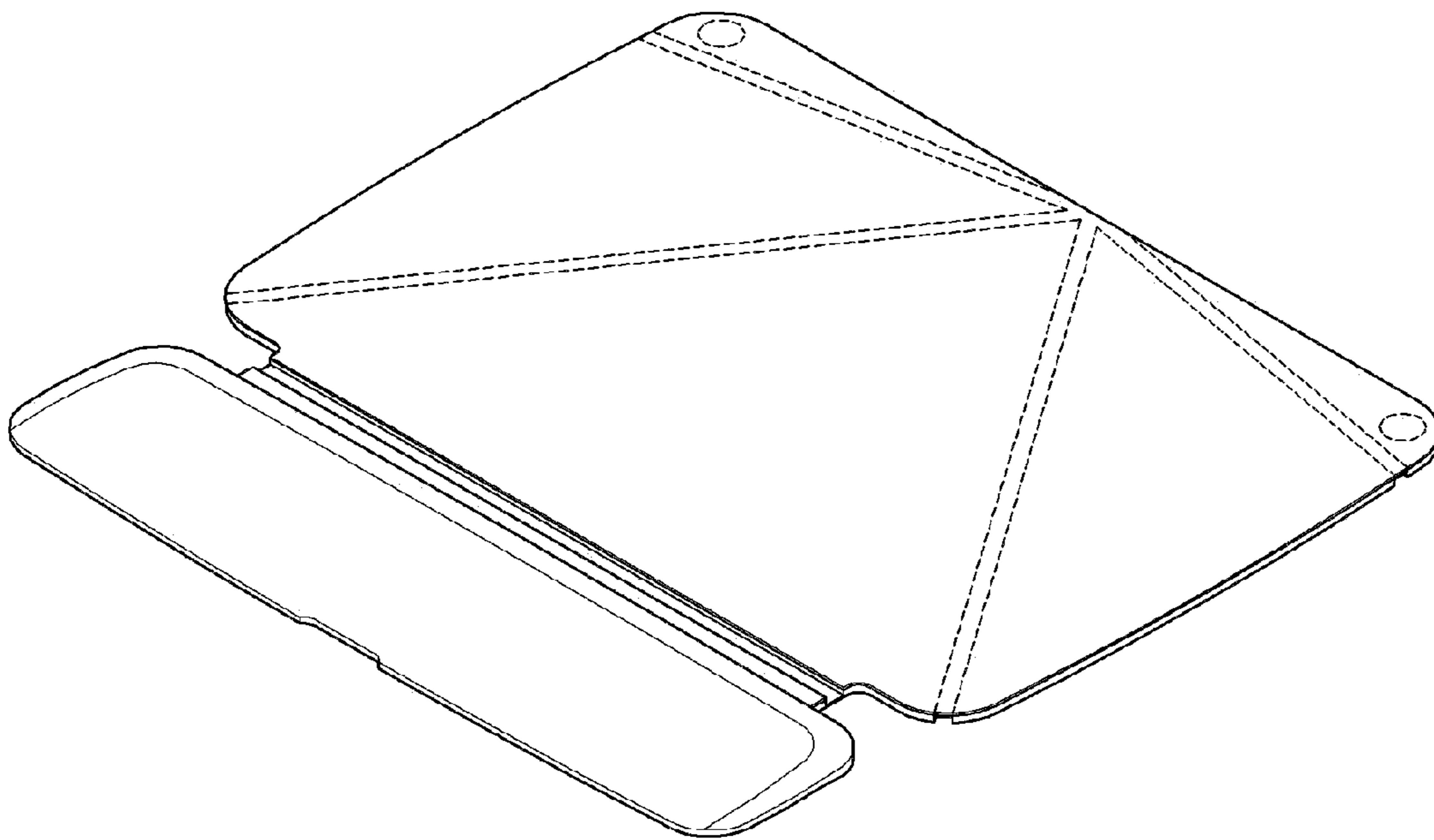


FIG. 2

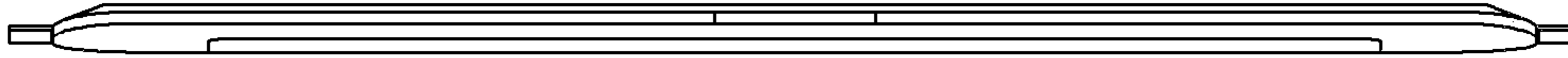


FIG. 3

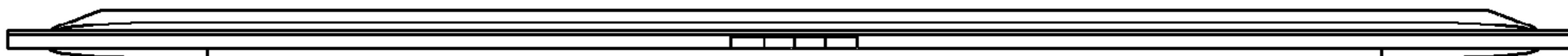


FIG. 4

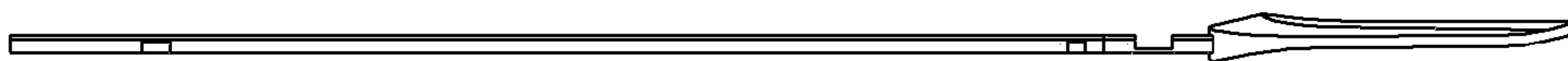


FIG. 5

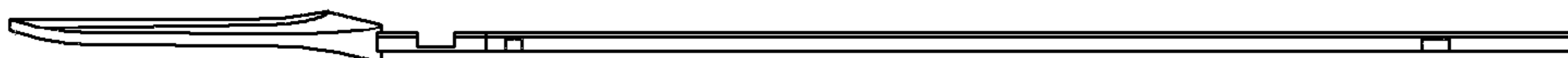


FIG.6

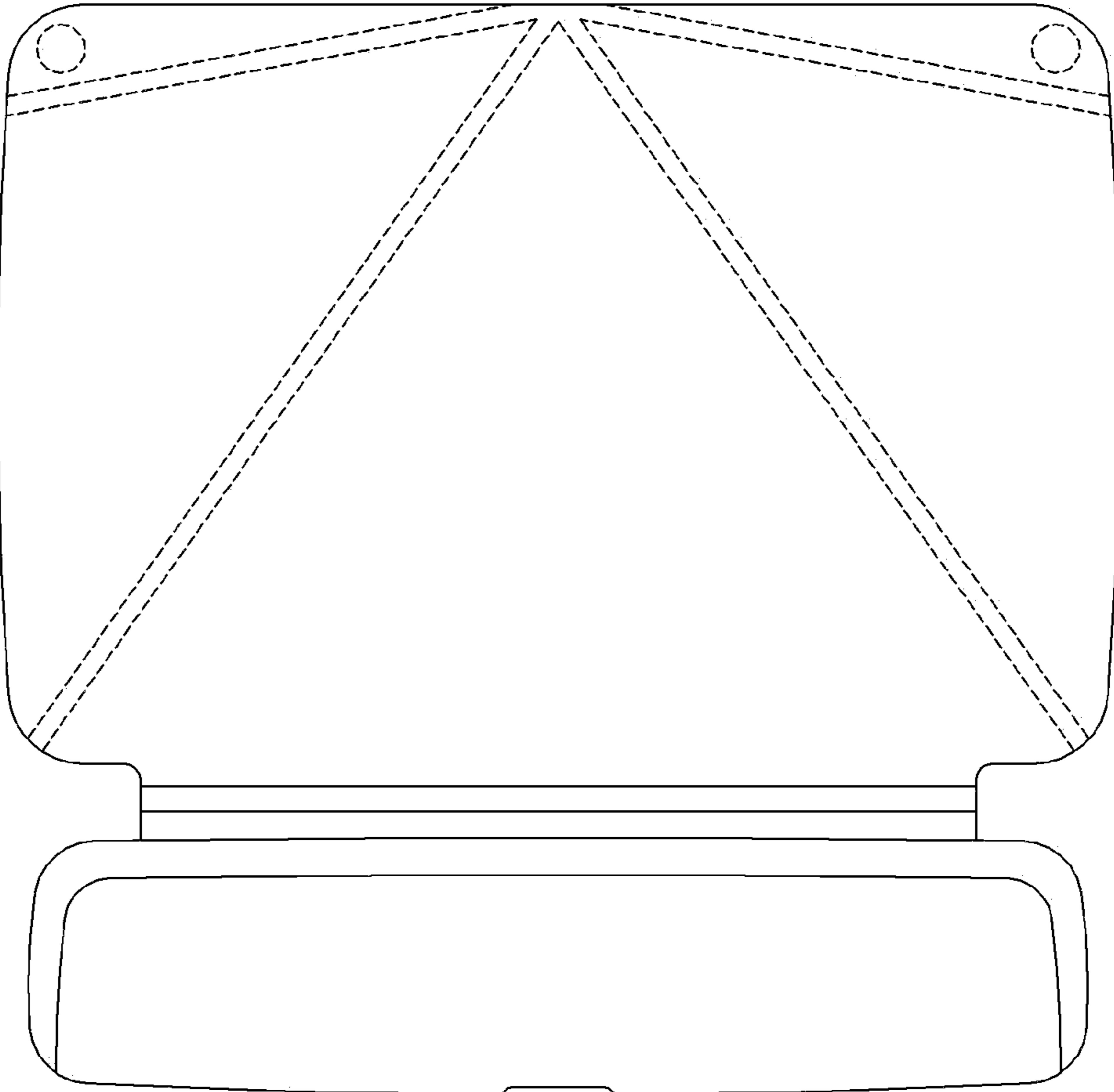


FIG.7

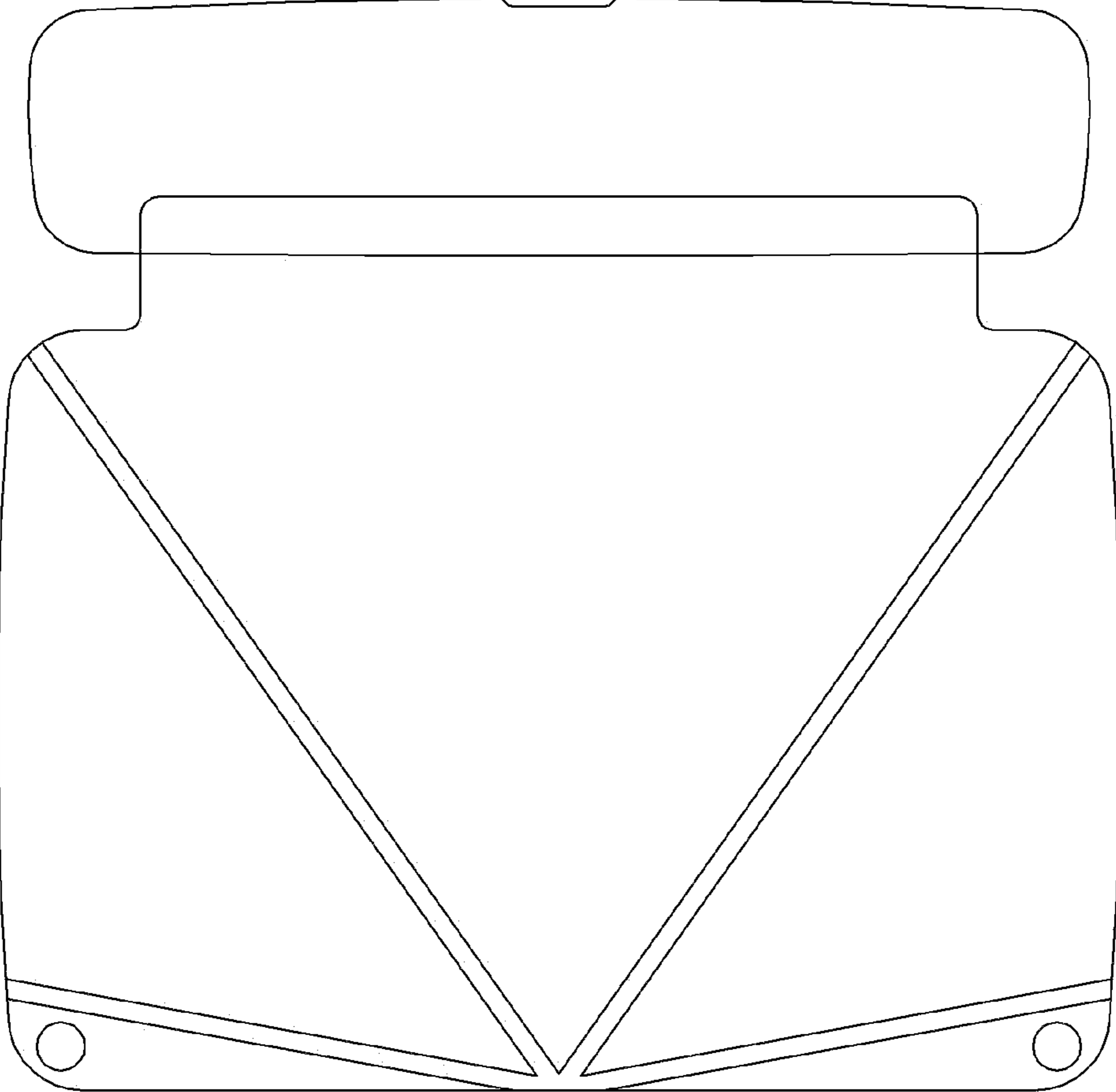


FIG. 8

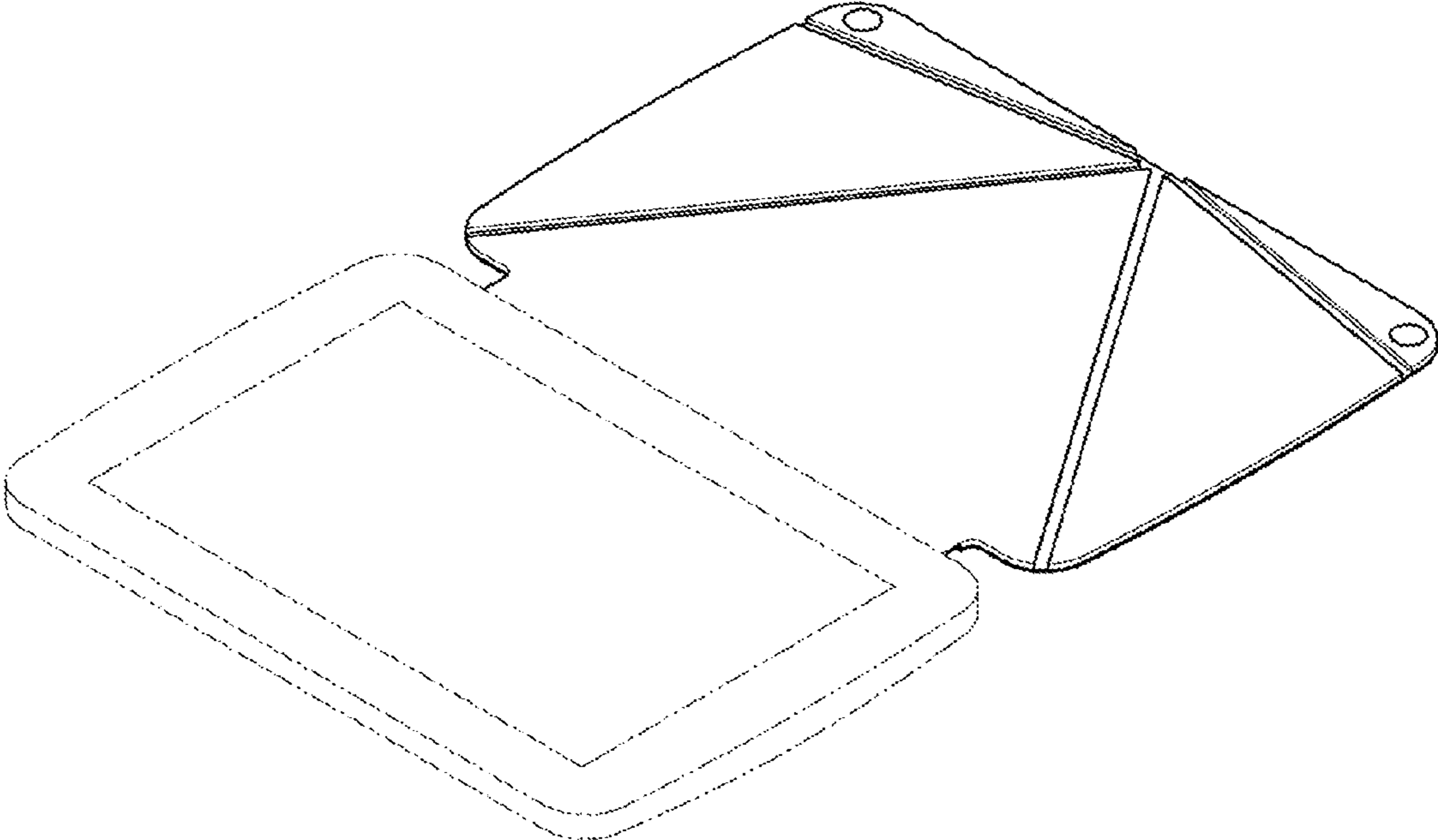


FIG. 9

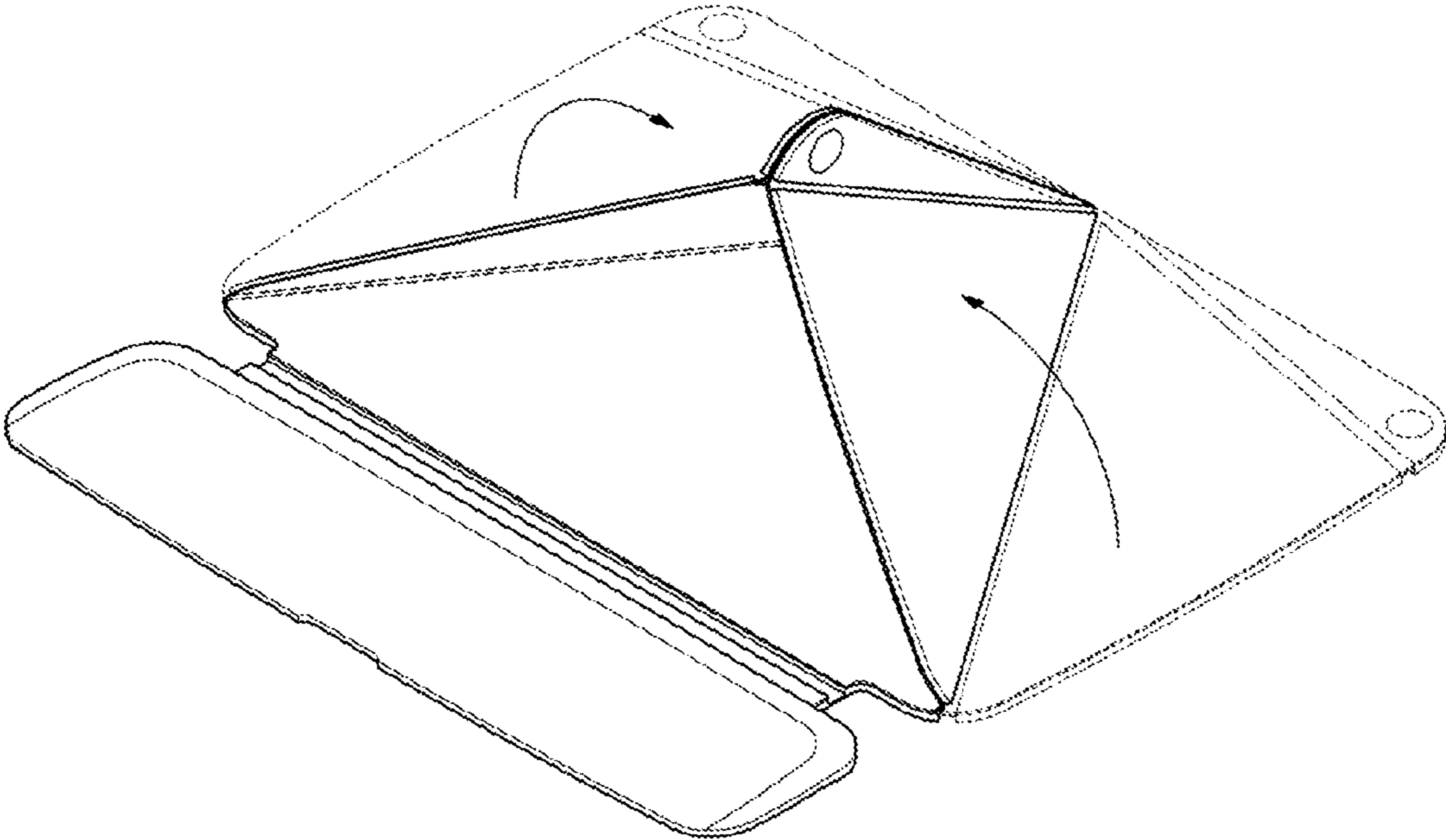


FIG. 10

