



(12) **United States Design Patent**
Jonsson et al.

(10) **Patent No.:** **US D690,699 S**
(45) **Date of Patent:** **** Oct. 1, 2013**

(54) **COORDINATE INPUT DEVICE**

(75) Inventors: **Carl Jonsson**, Portland, OR (US); **Jason Martin**, Lake Oswego, OR (US); **Patrick Triato**, Portland, OR (US)

(73) Assignee: **Wacom Co., Ltd.**, Kazo-shi (JP)

(**) Term: **14 Years**

(21) Appl. No.: **29/424,427**

(22) Filed: **Jun. 12, 2012**

(30) **Foreign Application Priority Data**

Dec. 12, 2011 (JP) 2011-28827

(51) **LOC (9) Cl.** **14-02**

(52) **U.S. Cl.**
USPC **D14/390**

(58) **Field of Classification Search**
USPC D14/388-390, 341, 383, 374, 381,
D14/371, 129, 456; D19/52; D10/65;
178/18.01, 18.03-18.09, 18.11; 345/173-178
See application file for complete search history.

(56) **References Cited**

U.S. PATENT DOCUMENTS

D554,640 S *	11/2007	Ponnert et al.	D14/388
D587,267 S *	2/2009	Wang	D14/356
D590,018 S *	4/2009	Nash et al.	D19/52
D602,014 S *	10/2009	Andre et al.	D14/341
D624,914 S *	10/2010	Wang	D14/371
D625,726 S *	10/2010	Crisp et al.	D14/389
D629,400 S	12/2010	Harper	
D631,047 S *	1/2011	Hirota	D14/390
D634,319 S *	3/2011	Andre et al.	D14/341
D648,723 S	11/2011	Harper	
D662,094 S *	6/2012	Mack et al.	D14/388
D667,395 S *	9/2012	Lee	D14/341
D671,940 S *	12/2012	Kim	D14/374
D672,345 S *	12/2012	Li	D14/341

(Continued)

FOREIGN PATENT DOCUMENTS

JP	D1372958 S	11/2009
JP	D1372960 S	11/2009
JP	D1372961 S	11/2009
JP	D1372962 S	11/2009

OTHER PUBLICATIONS

“Virtuoso T5000 (Kanvus Virtuoso T5000),” Product Information, Kanvus, Jhonghe City, Taiwan, <http://www.kanvus-global.com/main/prod_in.aspx?mnuid=1524&modid=26&prodid=454&flag=1> [retrieved Feb. 13, 2013].

Primary Examiner — Barbara Fox

Assistant Examiner — Katie Mroczka

(74) *Attorney, Agent, or Firm* — Christensen O’Connor Johnson Kindness PLLC

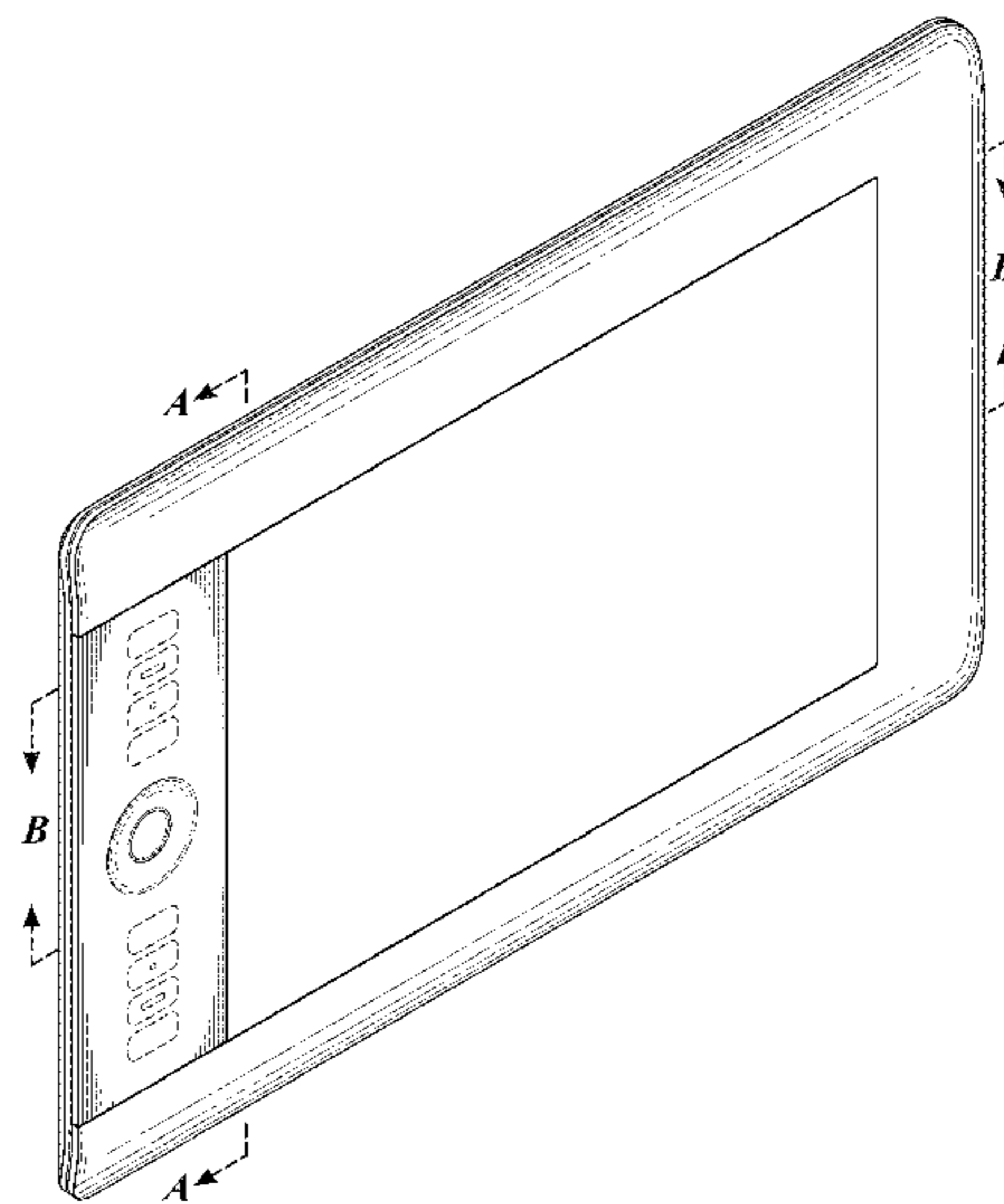
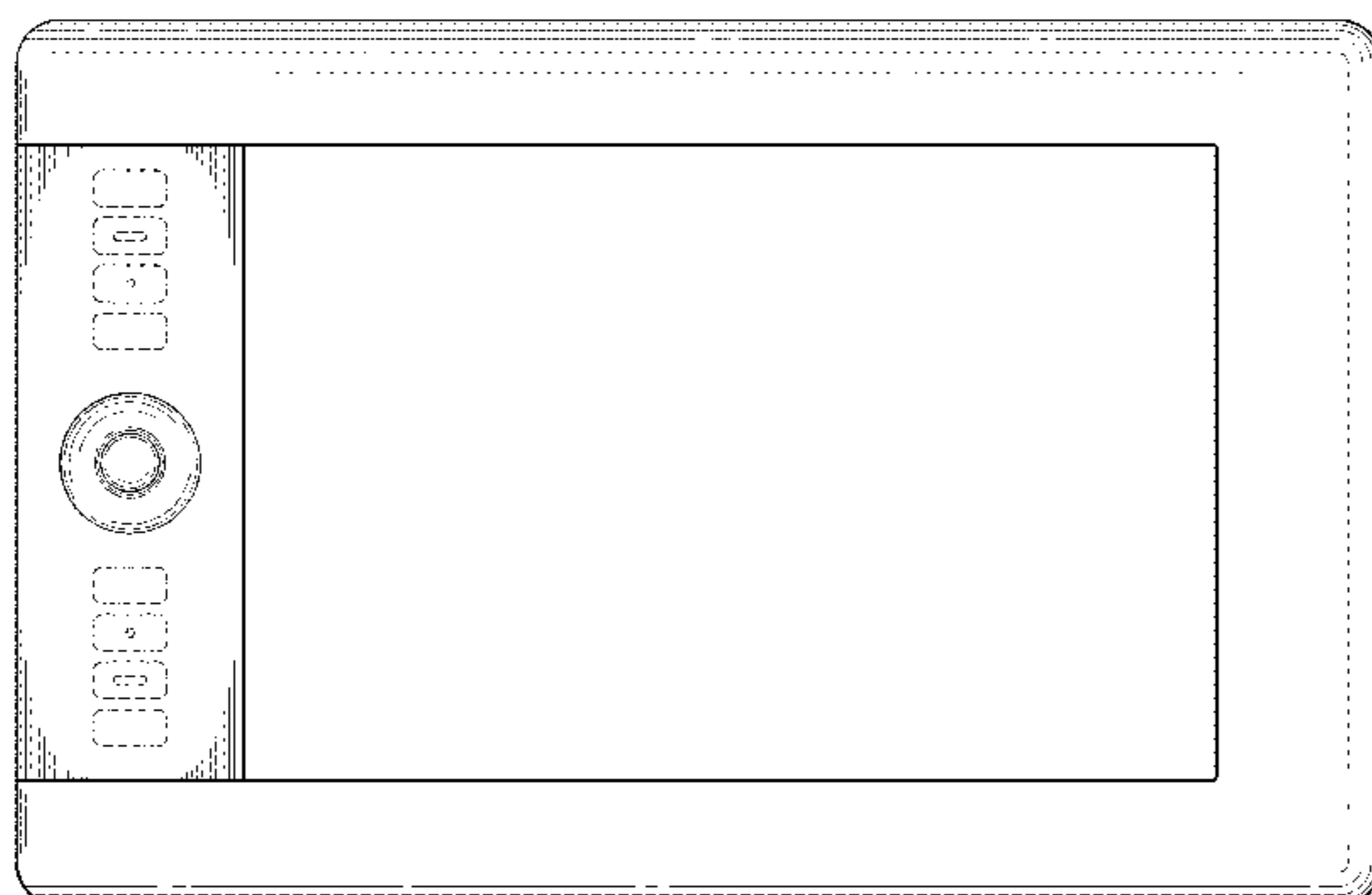
(57) **CLAIM**

The ornamental design for a coordinate input device, as shown and described.

DESCRIPTION

FIG. 1 is a front elevation view of a coordinate input device showing our new design;
FIG. 2 is a rear elevation view thereof;
FIG. 3 is a left side elevation view thereof;
FIG. 4 is a right side elevation view thereof;
FIG. 5 is a top plan view thereof, wherein the bottom plan view is the same as the top plan view;
FIG. 6 is a top front left isometric view thereof; and,
FIG. 7 is a close up view of a portion defined by A-A and B-B of FIG. 6.
The broken lines shown in the figures that are immediately adjacent to the shaded areas and define unshaded regions, represent the bounds of the claim; the broken lines form no part of the claimed design.

1 Claim, 5 Drawing Sheets



US D690,699 S

Page 2

(56)

References Cited

U.S. PATENT DOCUMENTS

D673,561 S * 1/2013 Hyun et al. D14/341
2012/0105375 A1 * 5/2012 Yamada 345/175
2012/0242592 A1 * 9/2012 Rothkopf et al. 345/173

2012/0249439 A1 * 10/2012 Kawate 345/173
2013/0009889 A1 * 1/2013 Weng 345/173
2013/0082937 A1 * 4/2013 Liu et al. 345/173
2013/0082979 A1 * 4/2013 Rabu et al. 345/175
2013/0113754 A1 * 5/2013 Lee 345/174

* cited by examiner

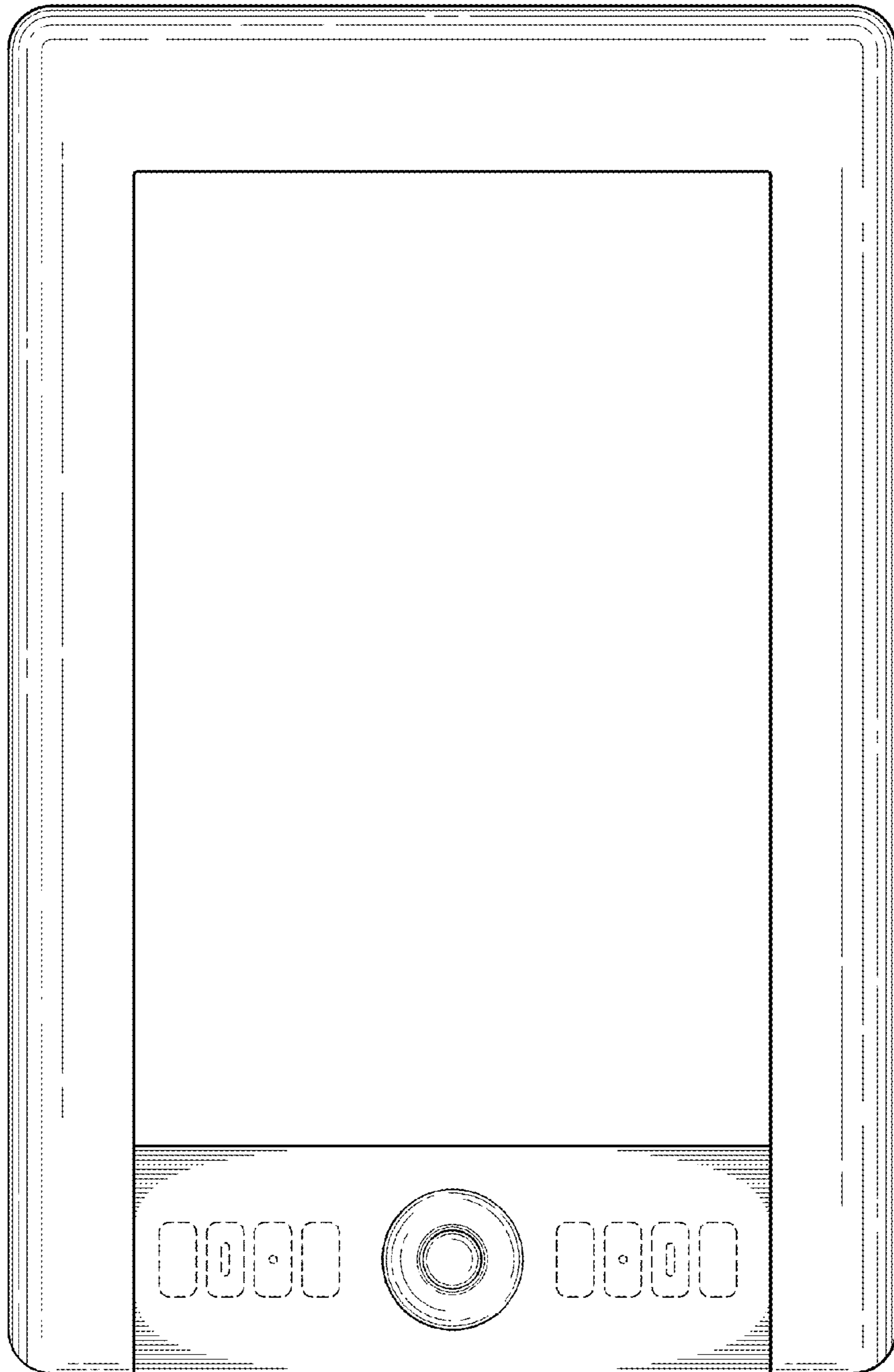


Fig. 1.

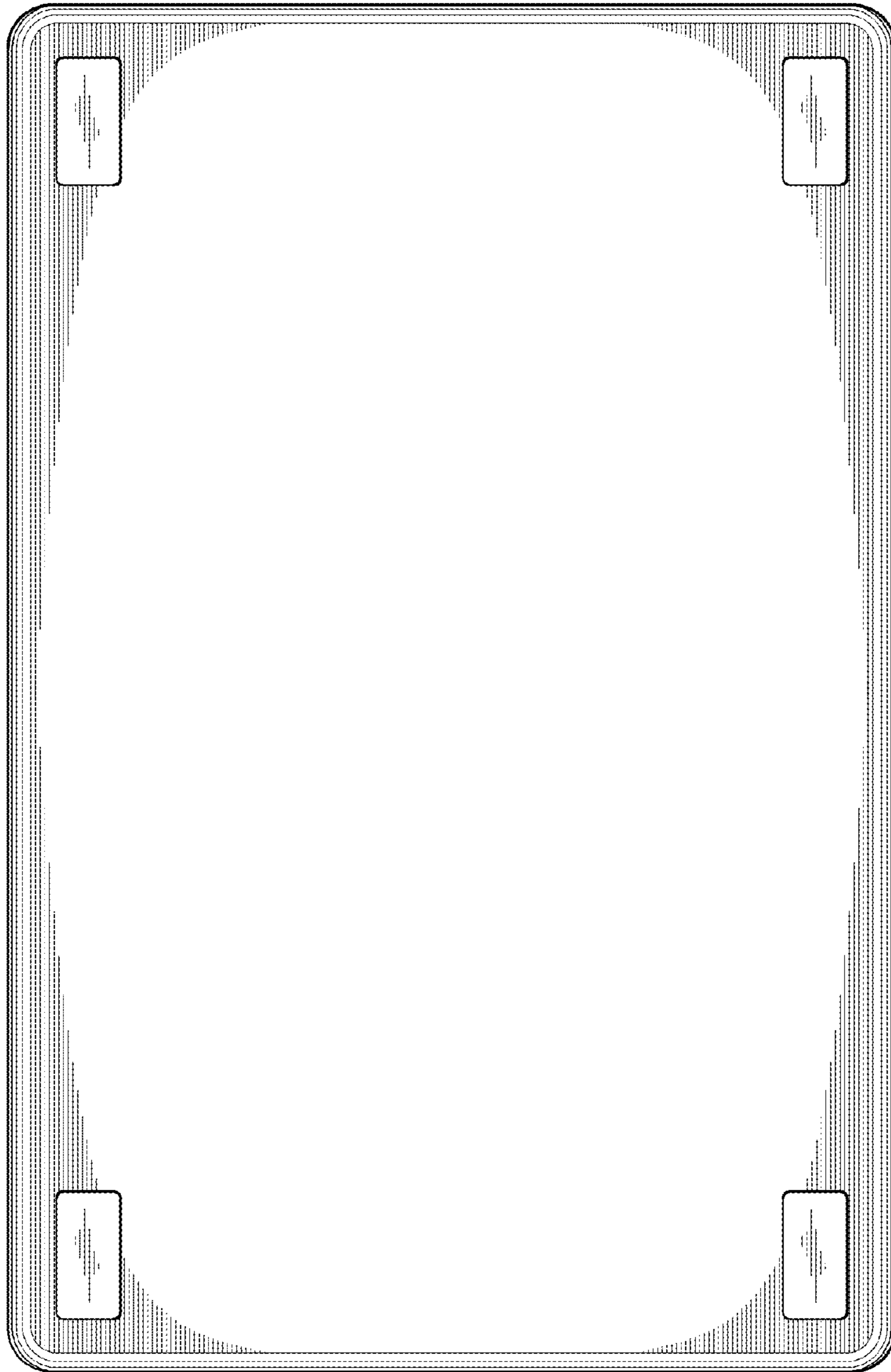


Fig. 2.

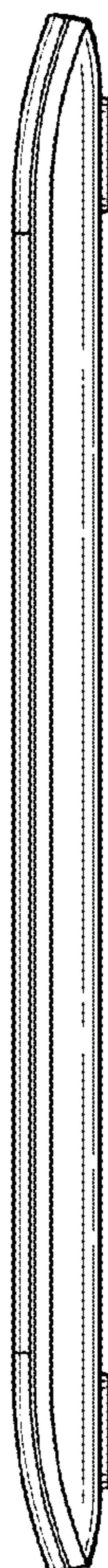


Fig. 3.

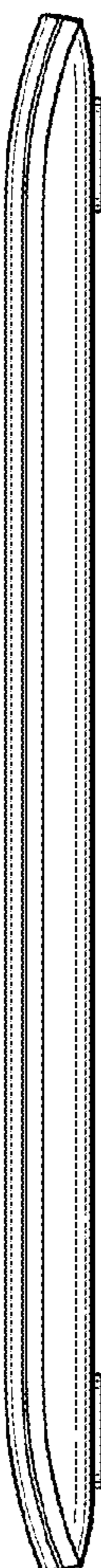


Fig. 4.

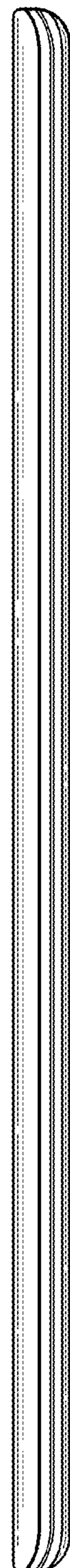


Fig. 5.

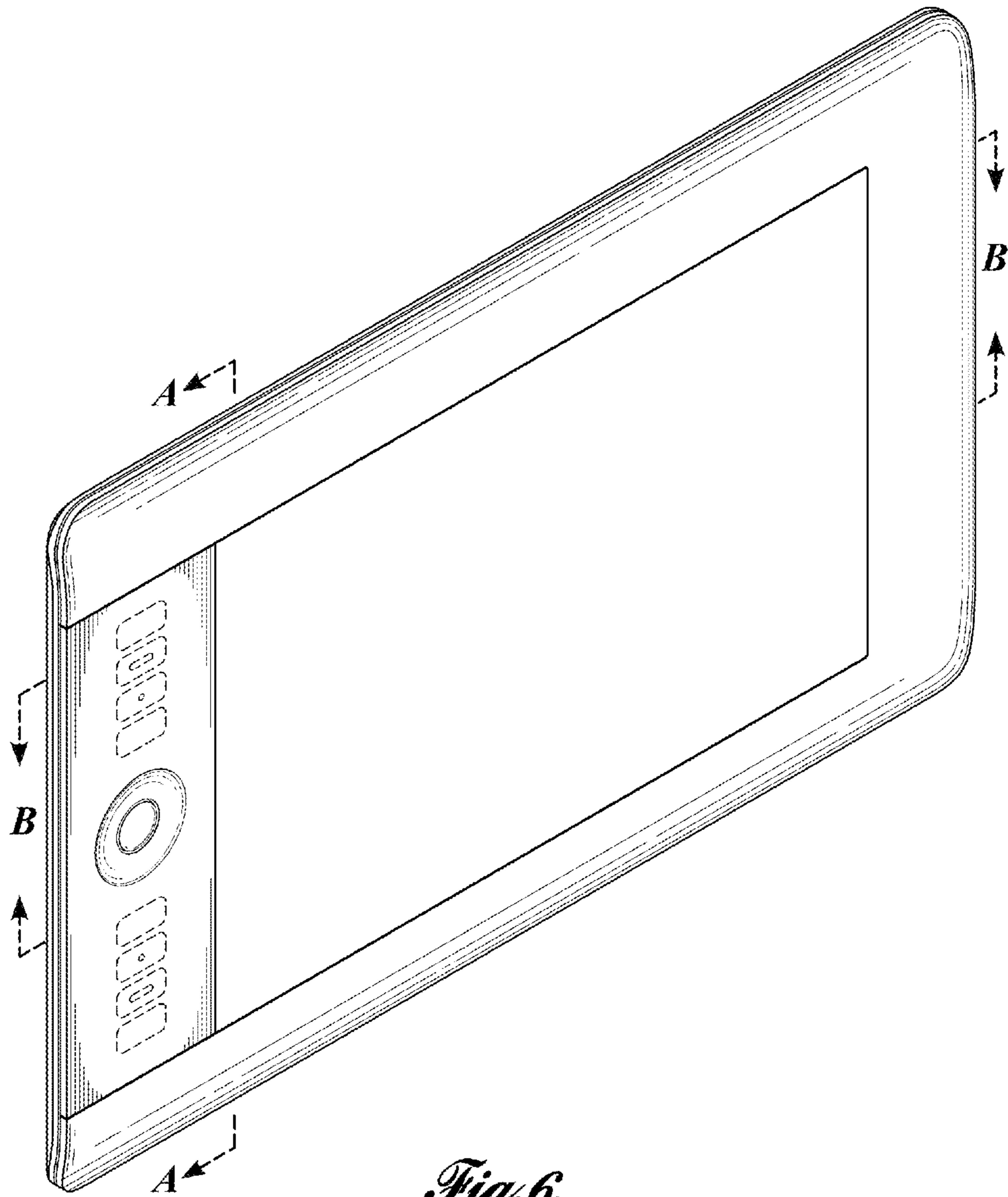


Fig. 6.

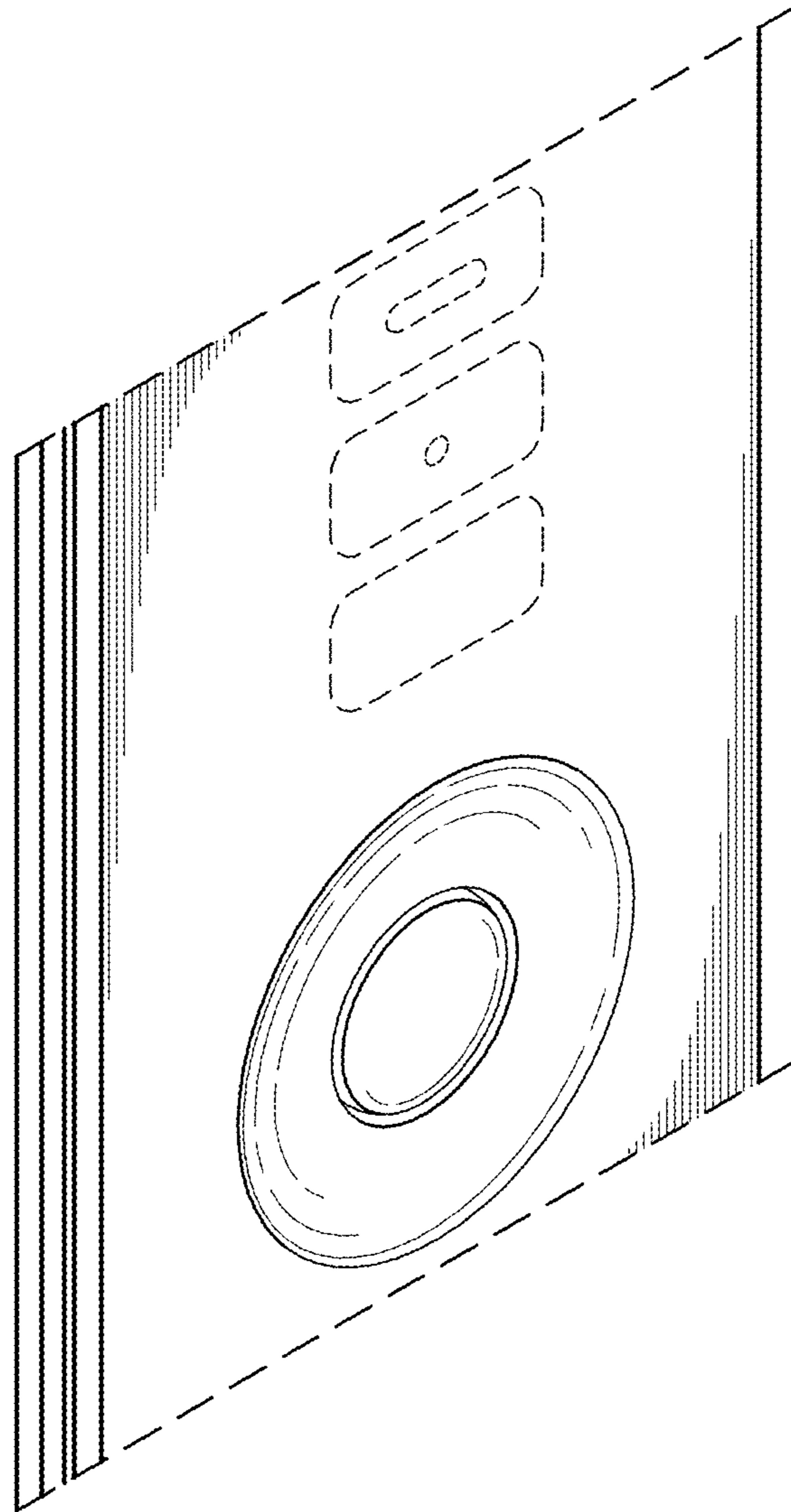


Fig. 7.

UNITED STATES PATENT AND TRADEMARK OFFICE
CERTIFICATE OF CORRECTION

PATENT NO. : D690,699 S
APPLICATION NO. : 29/424427
DATED : October 1, 2013
INVENTOR(S) : C. Jonsson et al.

Page 1 of 1

It is certified that error appears in the above-identified patent and that said Letters Patent is hereby corrected as shown below:

Title Page: Item (30)

<u>COLUMN</u>	<u>LINE</u>	<u>ERROR</u>
(30) Pg. 1, col. 1	Foreign Application Priority Data	“Dec. 12, 2011 (JP).....2011-28827” should read --Dec. 12, 2011 (JP)...2011-28827 Dec. 12, 2011 (JP)...2011-28830--

Signed and Sealed this
Eighteenth Day of February, 2014



Michelle K. Lee
Deputy Director of the United States Patent and Trademark Office