



US00D690695S

(12) **United States Design Patent**  
**Butterworth**

(10) **Patent No.:** **US D690,695 S**

(45) **Date of Patent:** **\*\* Oct. 1, 2013**

(54) **COMMUNICATION HANDSET**

(75) Inventor: **Robert Oliver Butterworth**, Teddington (GB)

(73) Assignee: **IML Limited**, Liphook (GB)

(\*\*) Term: **14 Years**

(21) Appl. No.: **29/387,829**

(22) Filed: **Mar. 18, 2011**

(30) **Foreign Application Priority Data**

Sep. 20, 2010 (EM) ..... 001236038-0001

(51) **LOC (9) Cl.** ..... **14-02**

(52) **U.S. Cl.**  
USPC ..... **D14/388**; D14/218

(58) **Field of Classification Search**  
USPC ..... D14/387, 388, 390, 399-401, 454,  
D14/455, 218, 392, 393, 341, 346; 341/22-28;  
463/37; 345/168, 169; 455/556.1, 566, 575.1,  
455/575.3, 575.4  
See application file for complete search history.

(56) **References Cited**

**U.S. PATENT DOCUMENTS**

D301,037 S \* 5/1989 Matsuda ..... D14/218  
D310,219 S \* 8/1990 Carlile ..... D14/159  
D350,747 S \* 9/1994 McClendon ..... D14/150  
D466,898 S \* 12/2002 Hoornaert et al. .... D14/387  
D467,245 S \* 12/2002 Hoornaert et al. .... D14/387

D521,986 S \* 5/2006 Depay et al. .... D14/218  
D534,900 S \* 1/2007 Weitgasser et al. .... D14/218  
D535,654 S \* 1/2007 Beamish et al. .... D14/388  
D542,792 S \* 5/2007 Beamish et al. .... D14/388  
D549,667 S \* 8/2007 Huang ..... D13/168  
D568,379 S \* 5/2008 Tien ..... D18/7  
D594,852 S \* 6/2009 Klein et al. .... D14/218  
D612,850 S \* 3/2010 Cabatic ..... D14/388  
D633,910 S \* 3/2011 Cacioppo et al. .... D14/388  
D665,383 S \* 8/2012 McManigal et al. .... D14/218  
8,265,543 B2 \* 9/2012 Knowles et al. .... 434/350  
8,326,210 B2 \* 12/2012 Knowles et al. .... 434/350  
2008/0108037 A1 \* 5/2008 Beamish ..... 434/350  
2010/0087139 A1 \* 4/2010 Glass ..... 455/3.01  
2013/0036360 A1 \* 2/2013 Hallsten ..... 715/738

\* cited by examiner

*Primary Examiner* — Deanna F Fluegeman

(74) *Attorney, Agent, or Firm* — Dickstein Shapiro LLP

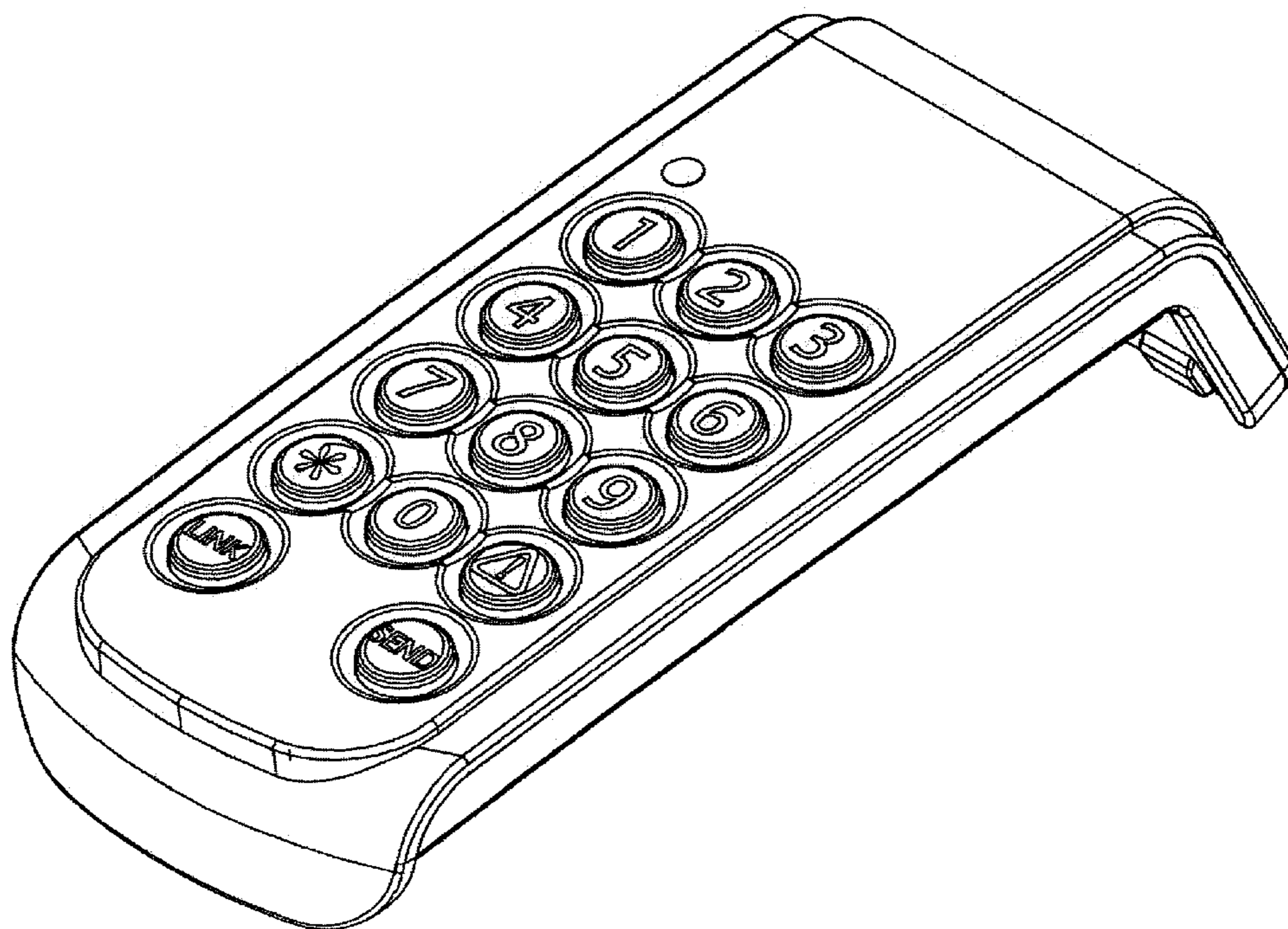
(57) **CLAIM**

The ornamental design for a communication handset, as shown and described.

**DESCRIPTION**

FIG. 1 is an upper perspective view of a communication handset according to our new design;  
FIG. 2 is a lower perspective view thereof;  
FIG. 3 is a side view thereof;  
FIG. 4 is a top view thereof;  
FIG. 5 is a bottom view thereof;  
FIG. 6 is a front view thereof; and,  
FIG. 7 is a rear view thereof.

**1 Claim, 6 Drawing Sheets**



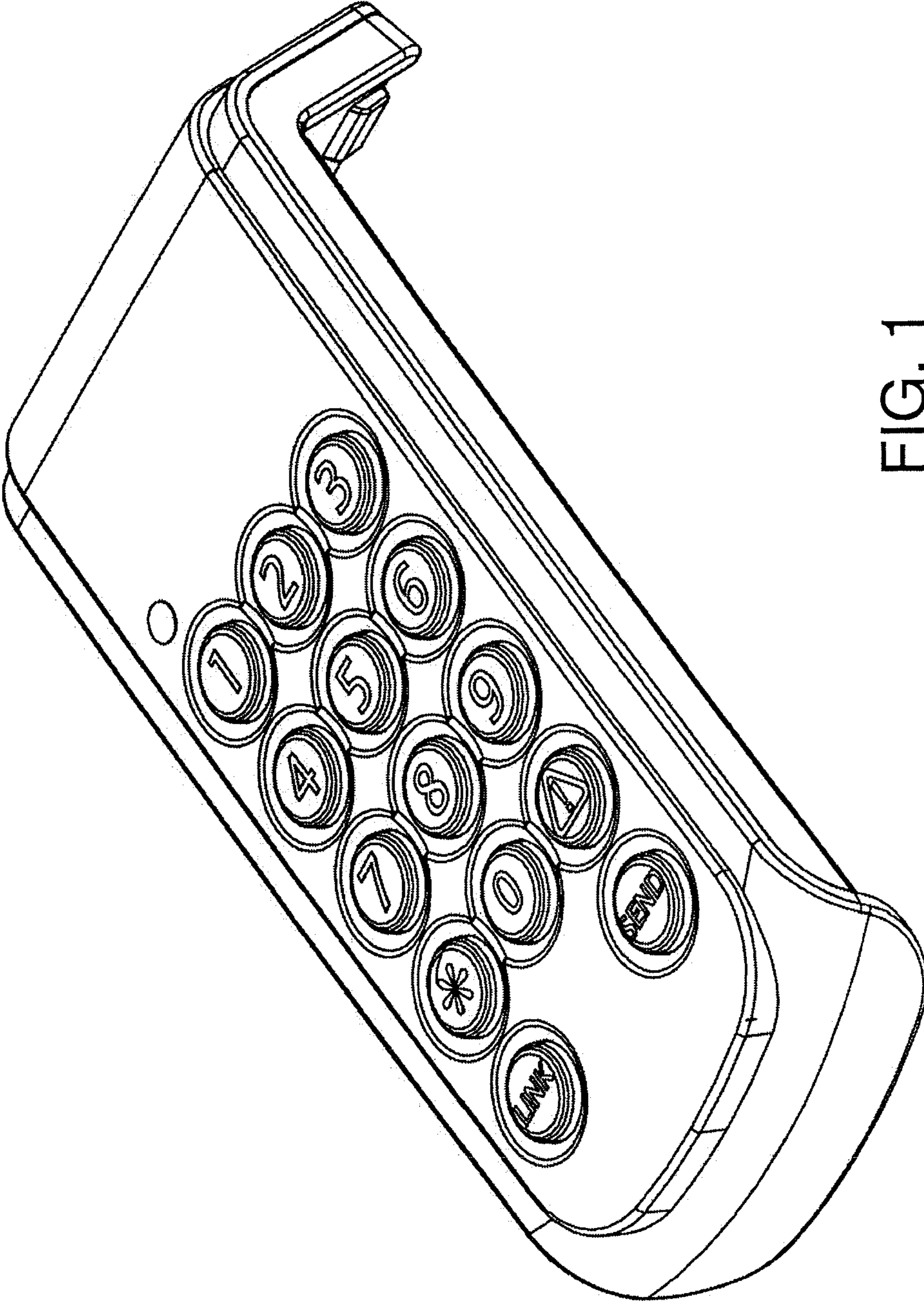


FIG. 1

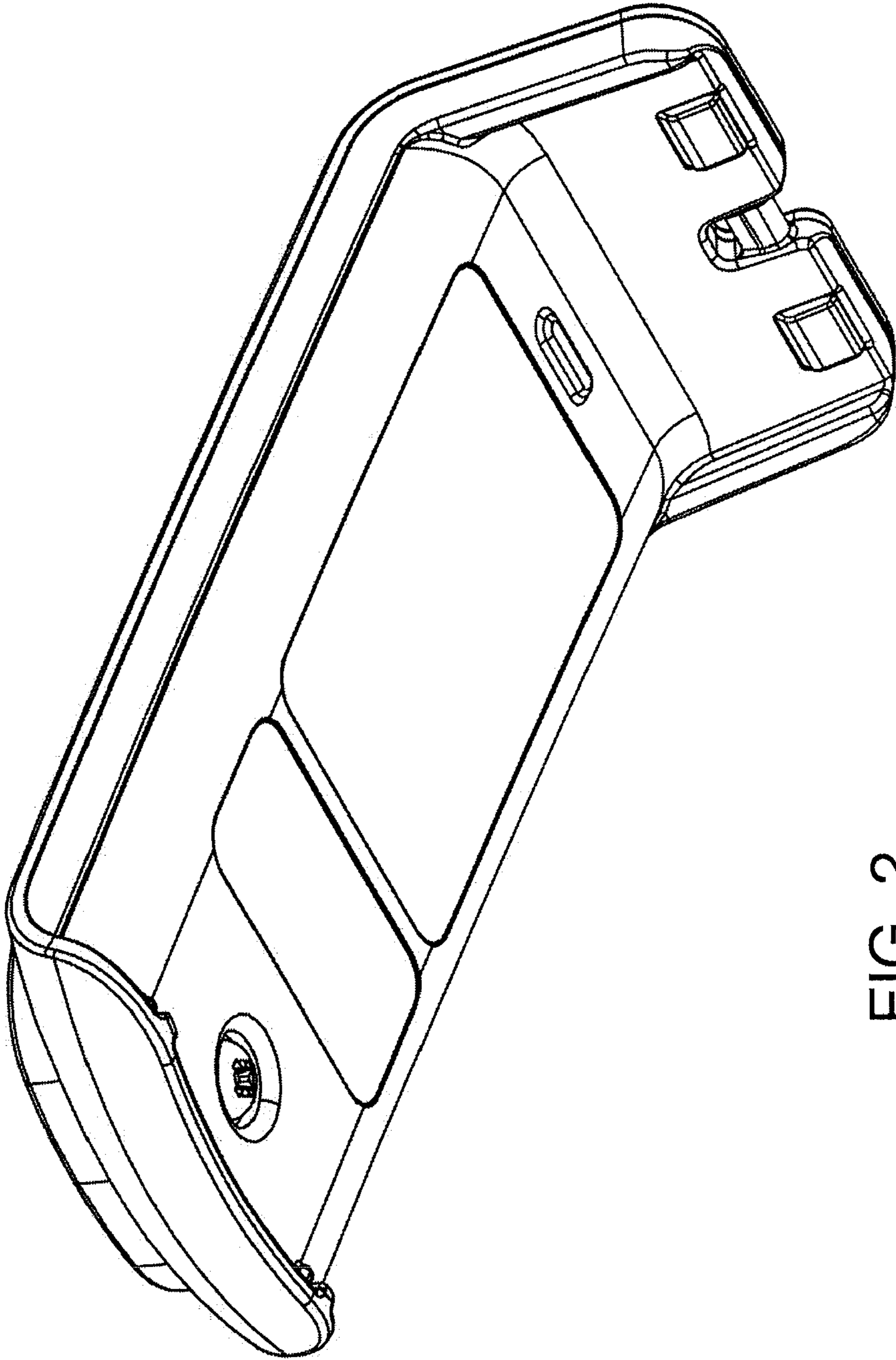


FIG. 2

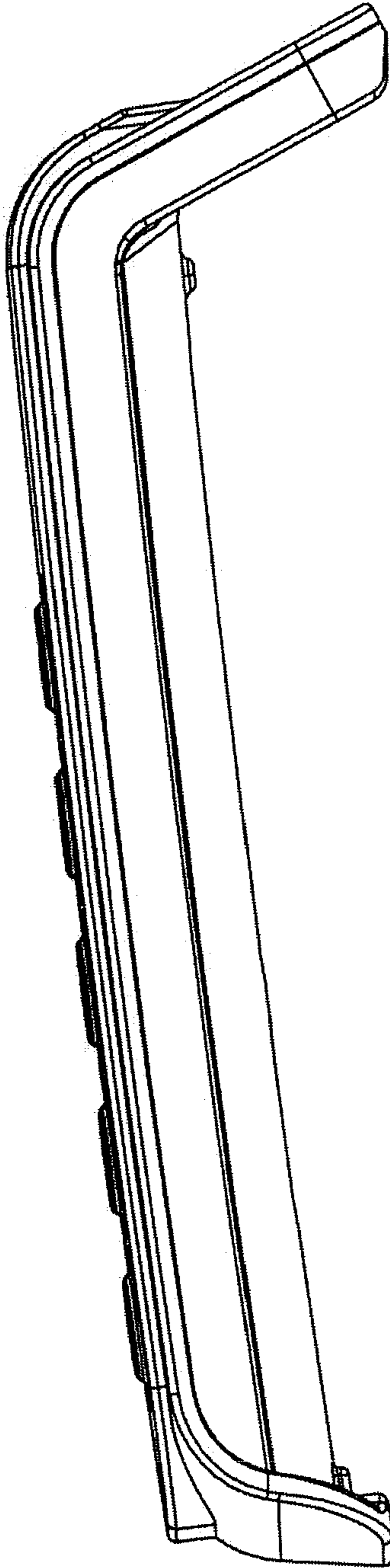


FIG. 3

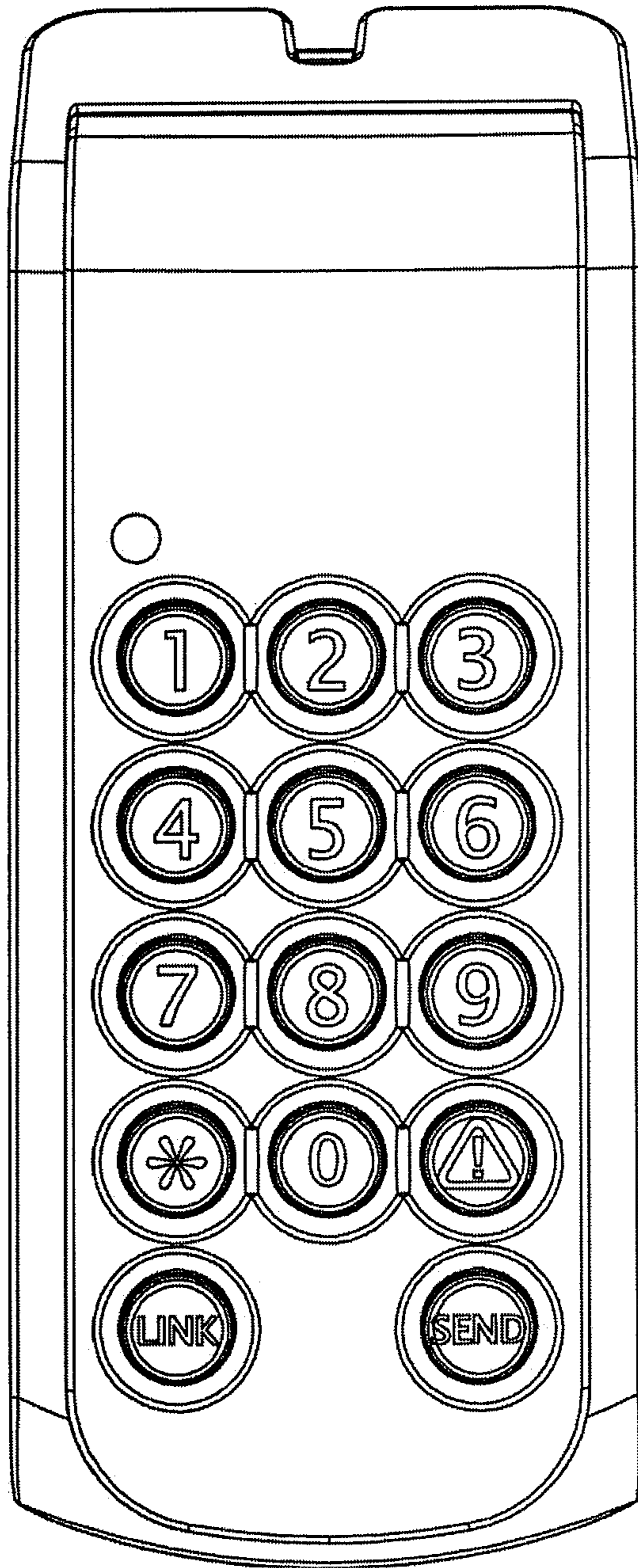


FIG. 4

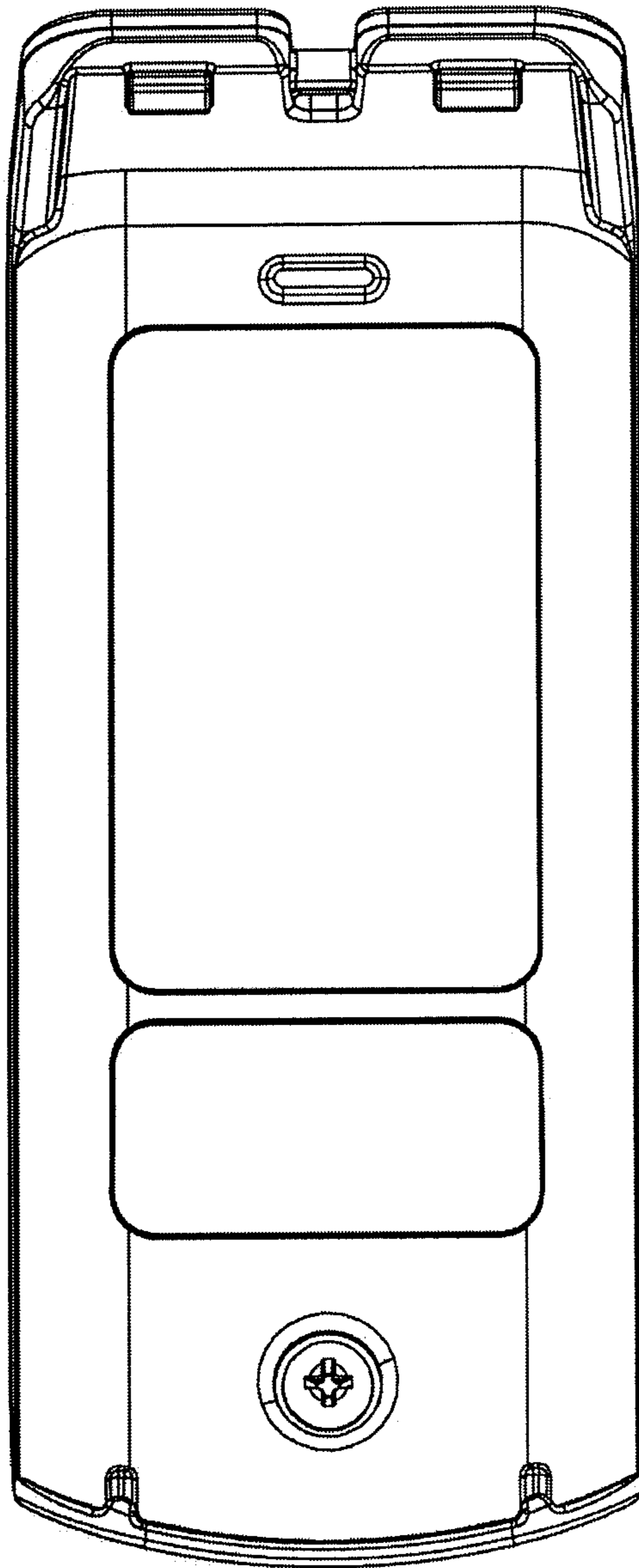


FIG. 5

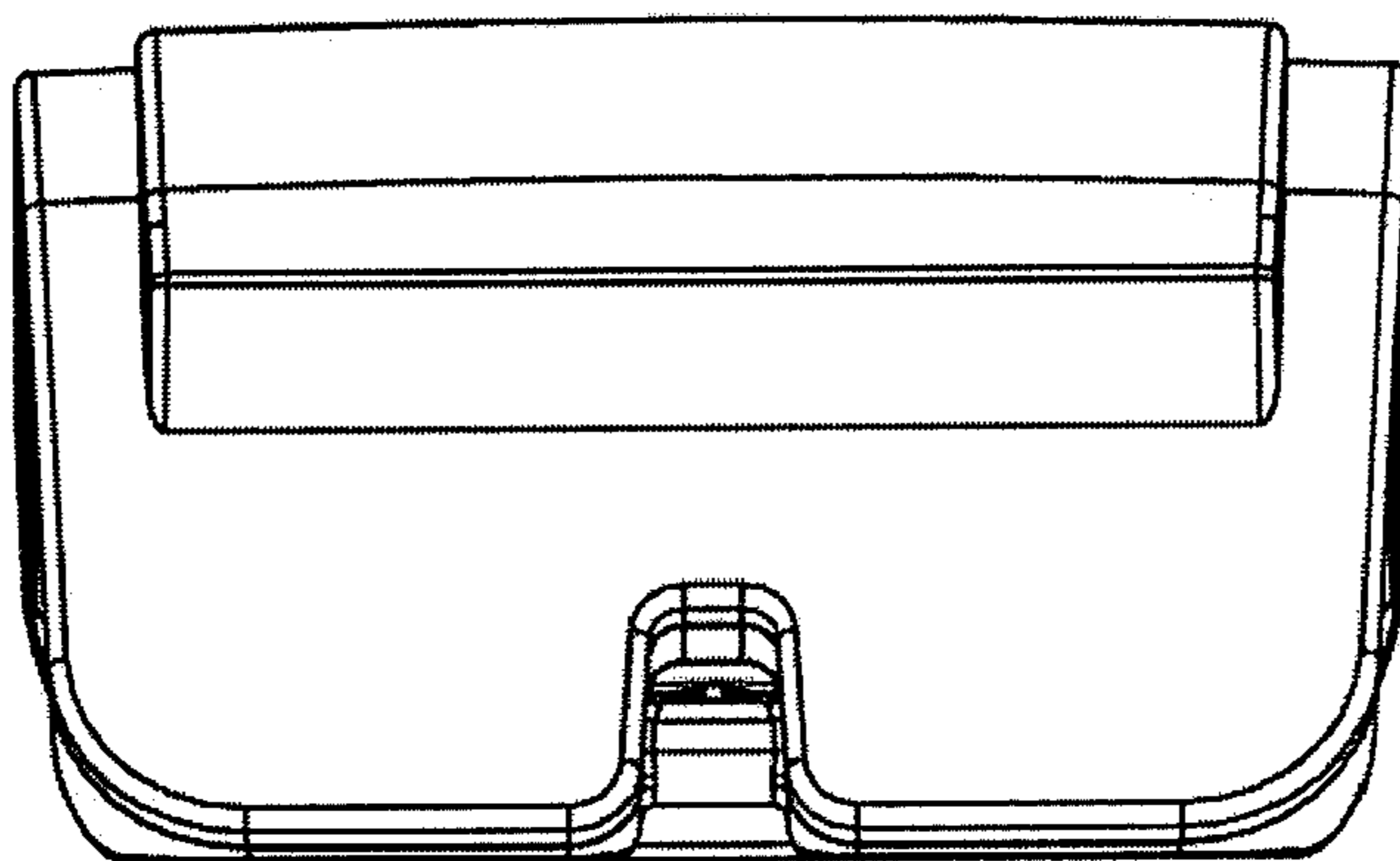


FIG. 6

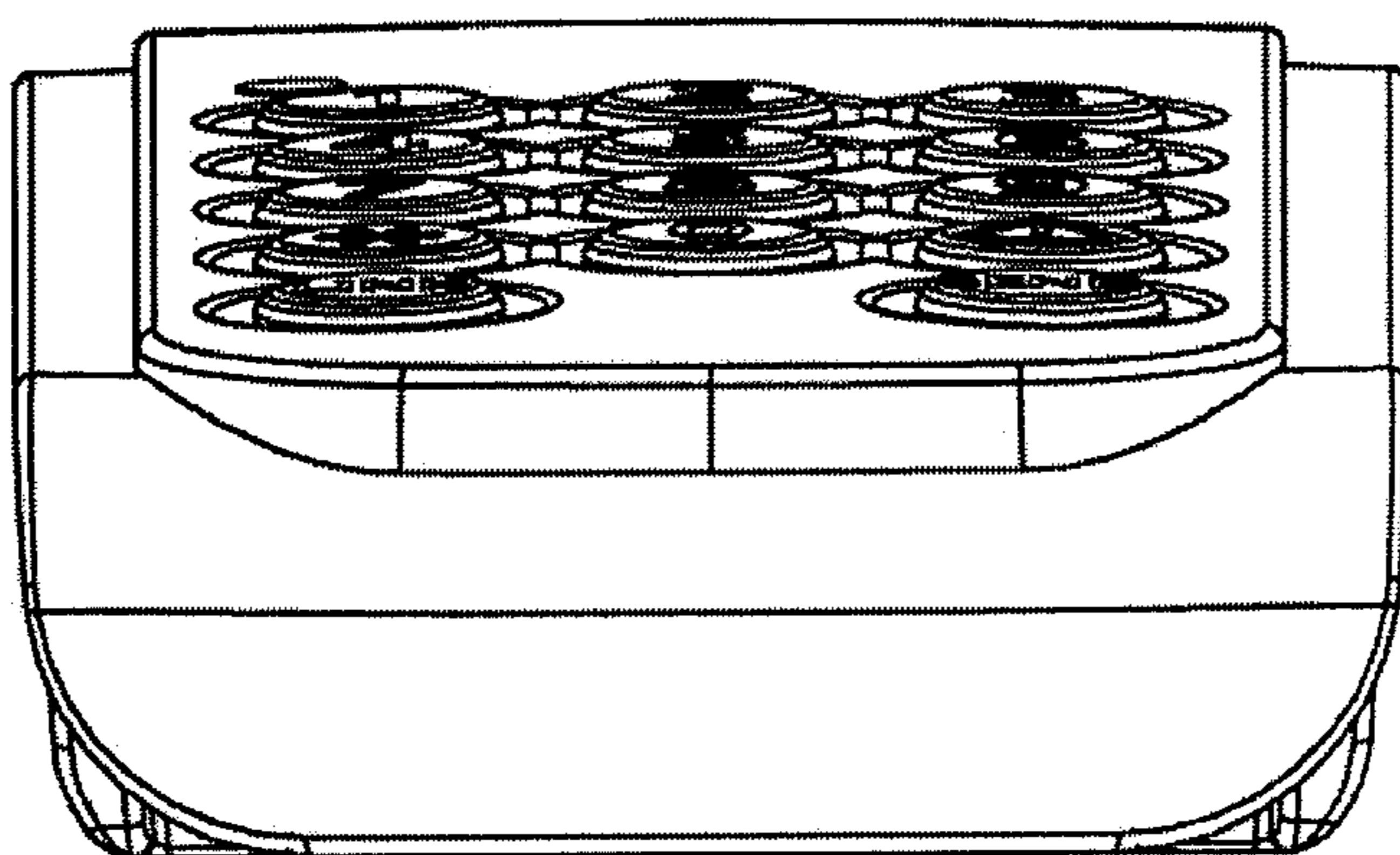


FIG. 7