



US00D690691S

(12) **United States Design Patent**
Hoshi et al.

(10) **Patent No.:** **US D690,691 S**

(45) **Date of Patent:** **** Oct. 1, 2013**

(54) **PERSONAL COMPUTER**

(75) Inventors: **Masato Hoshi**, Kawasaki (JP); **Hiroyuki Fujita**, Tokyo (JP); **Kohei Okamoto**, Kawasaki (JP); **Junji Maruyama**, Kawasaki (JP)

(73) Assignee: **Fujitsu Limited**, Kawasaki (JP)

(**) Term: **14 Years**

(21) Appl. No.: **29/423,893**

(22) Filed: **Jun. 6, 2012**

(30) **Foreign Application Priority Data**

Dec. 6, 2011 (JP) D2011-028182

(51) **LOC (9) Cl.** **14-02**

(52) **U.S. Cl.**
USPC **D14/336**; D14/341; D14/371

(58) **Field of Classification Search**
USPC D14/371-375, 125-129, 336, 337,
D14/341; 341/12; 345/104, 156, 168, 173;
348/180, 184, 325, 739; 349/1, 2, 11, 62;
361/679.05-679.07, 679.21; D6/300, 308,
D6/310

See application file for complete search history.

(56) **References Cited**

U.S. PATENT DOCUMENTS

D453,333 S * 2/2002 Chen D14/374
D538,800 S * 3/2007 Zhang et al. D14/331
D585,399 S * 1/2009 Hwang D14/130
D593,091 S * 5/2009 Behar et al. D14/371

D597,321 S * 8/2009 Frankel et al. D6/310
D609,661 S * 2/2010 VanDuyn et al. D14/126
D610,814 S * 3/2010 Chigira D6/310
D613,510 S * 4/2010 Tzeng et al. D6/308
D658,175 S * 4/2012 Goetzen D14/371
2005/0126061 A1* 6/2005 Lin 40/735

* cited by examiner

Primary Examiner — Freda S Nunn

(74) *Attorney, Agent, or Firm* — Staas & Halsey LLP

(57) **CLAIM**

The ornamental design for a personal computer, as shown and described.

DESCRIPTION

FIG. 1 is a perspective view of the front, top and right side of a personal computer showing our new design with a movable stand;

FIG. 2 is a front view thereof;

FIG. 3 is a rear view thereof;

FIG. 4 is a left side view thereof;

FIG. 5 is a right side view thereof;

FIG. 6 is a top view thereof;

FIG. 7 is a bottom view thereof;

FIG. 8 is a perspective view of front, top and right side thereof shown in an alternative position;

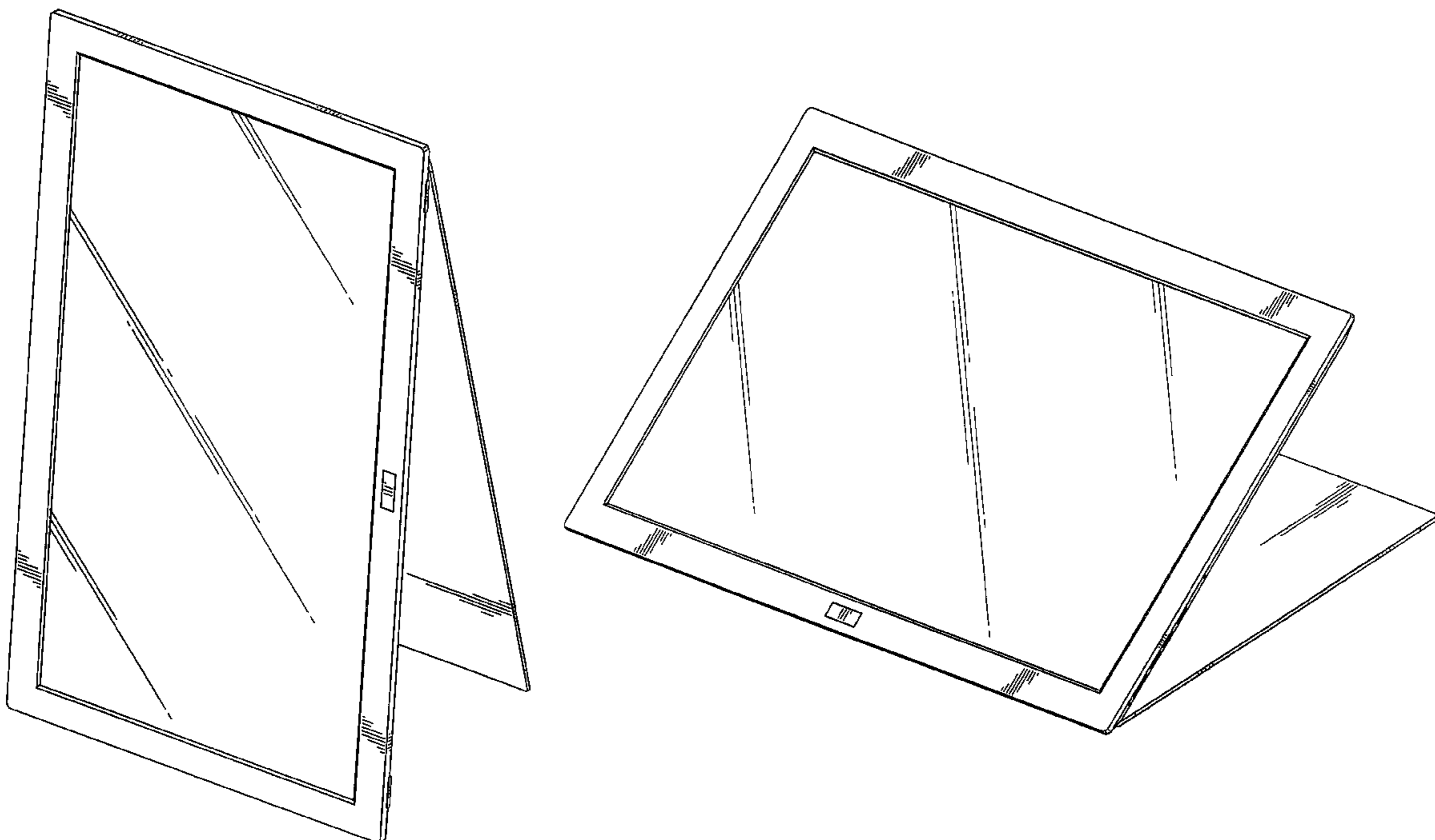
FIG. 9 is a perspective view of front, top and right side thereof shown in another alternative position;

FIG. 10 is a rear perspective view thereof without a movable stand; and,

FIG. 11 is a perspective view thereof showing usage.

The broken lines shown in FIG. 11 are for environmental purposes only and form no part of the claimed design.

1 Claim, 9 Drawing Sheets



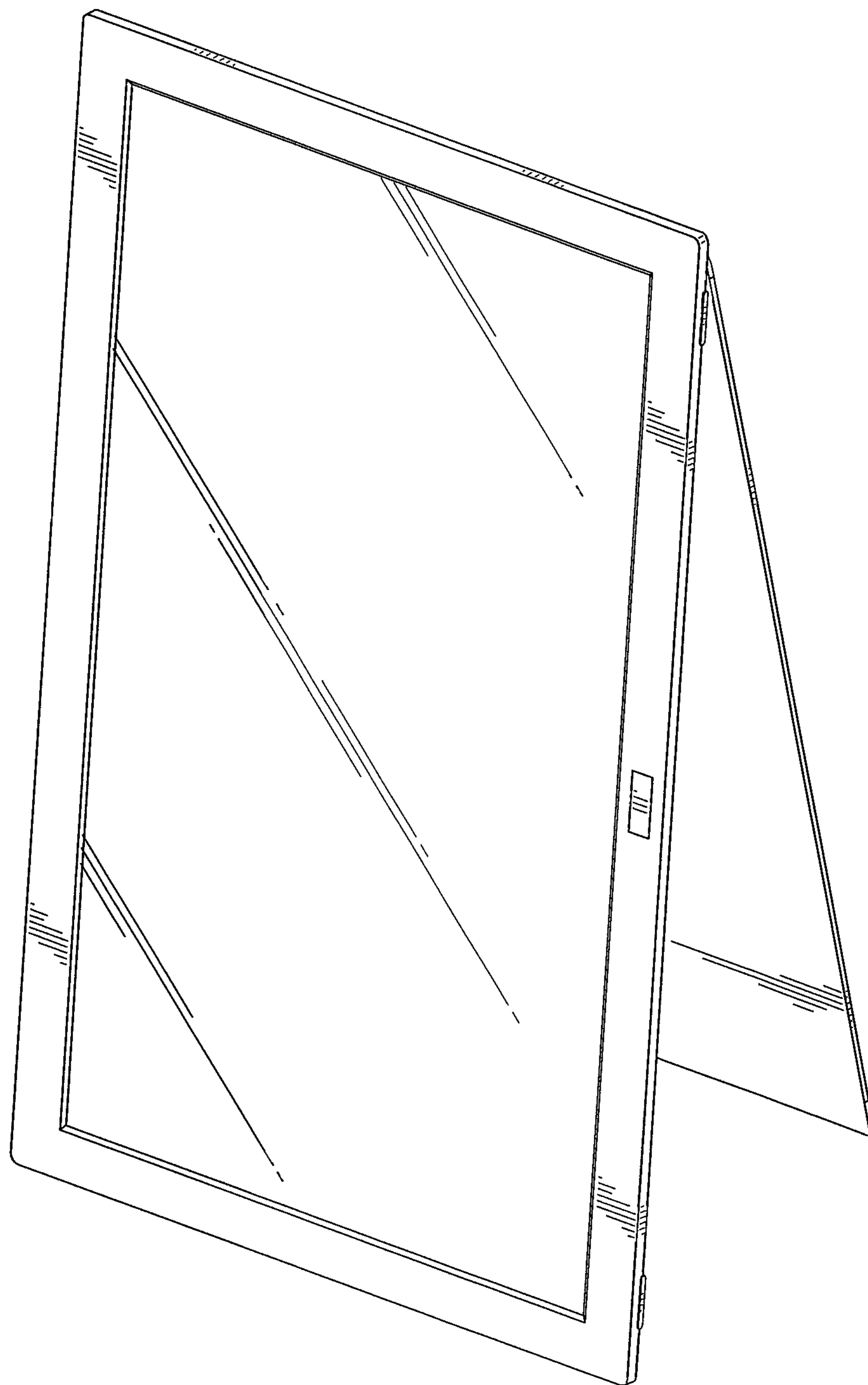


FIG. 1

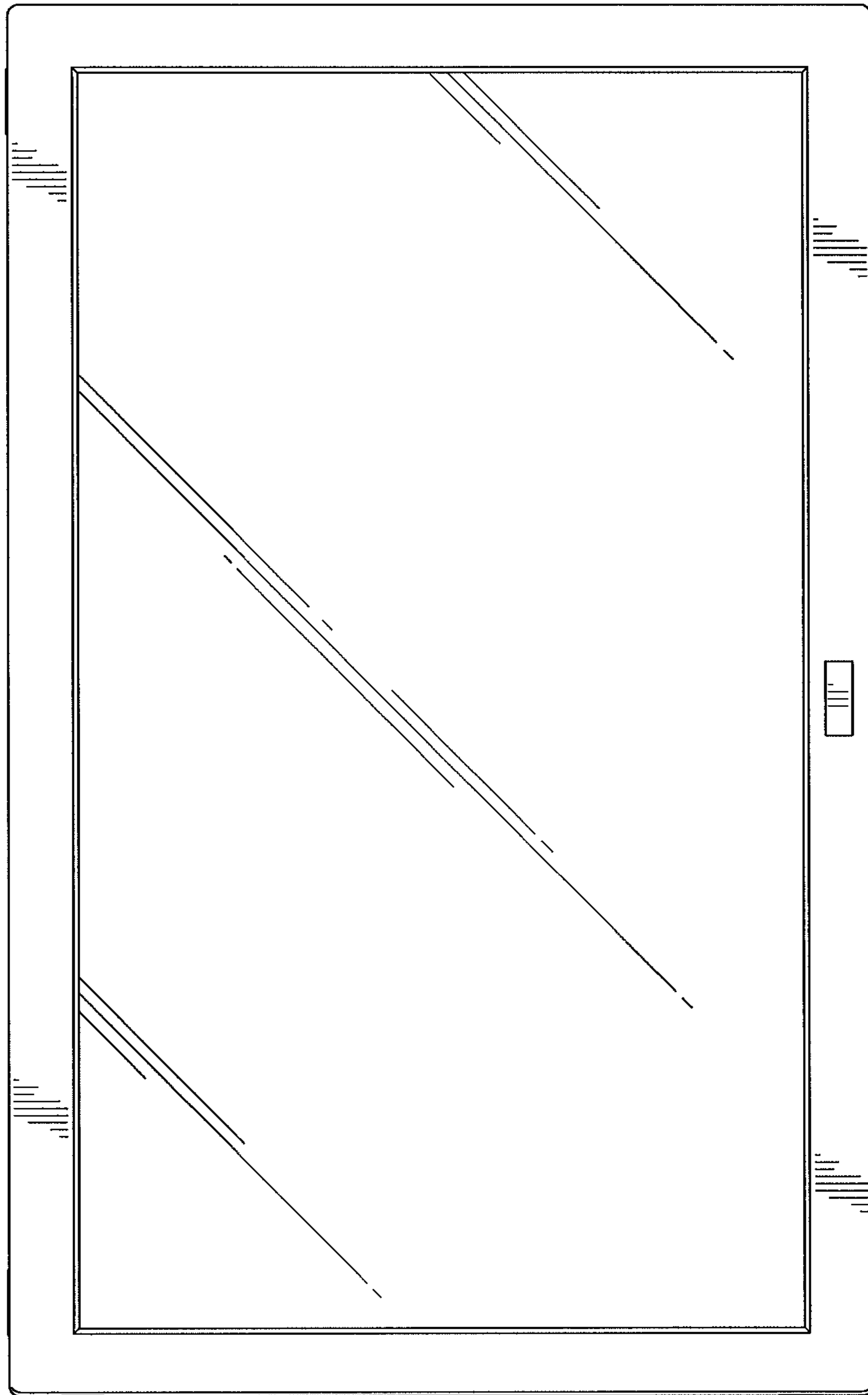


FIG. 2

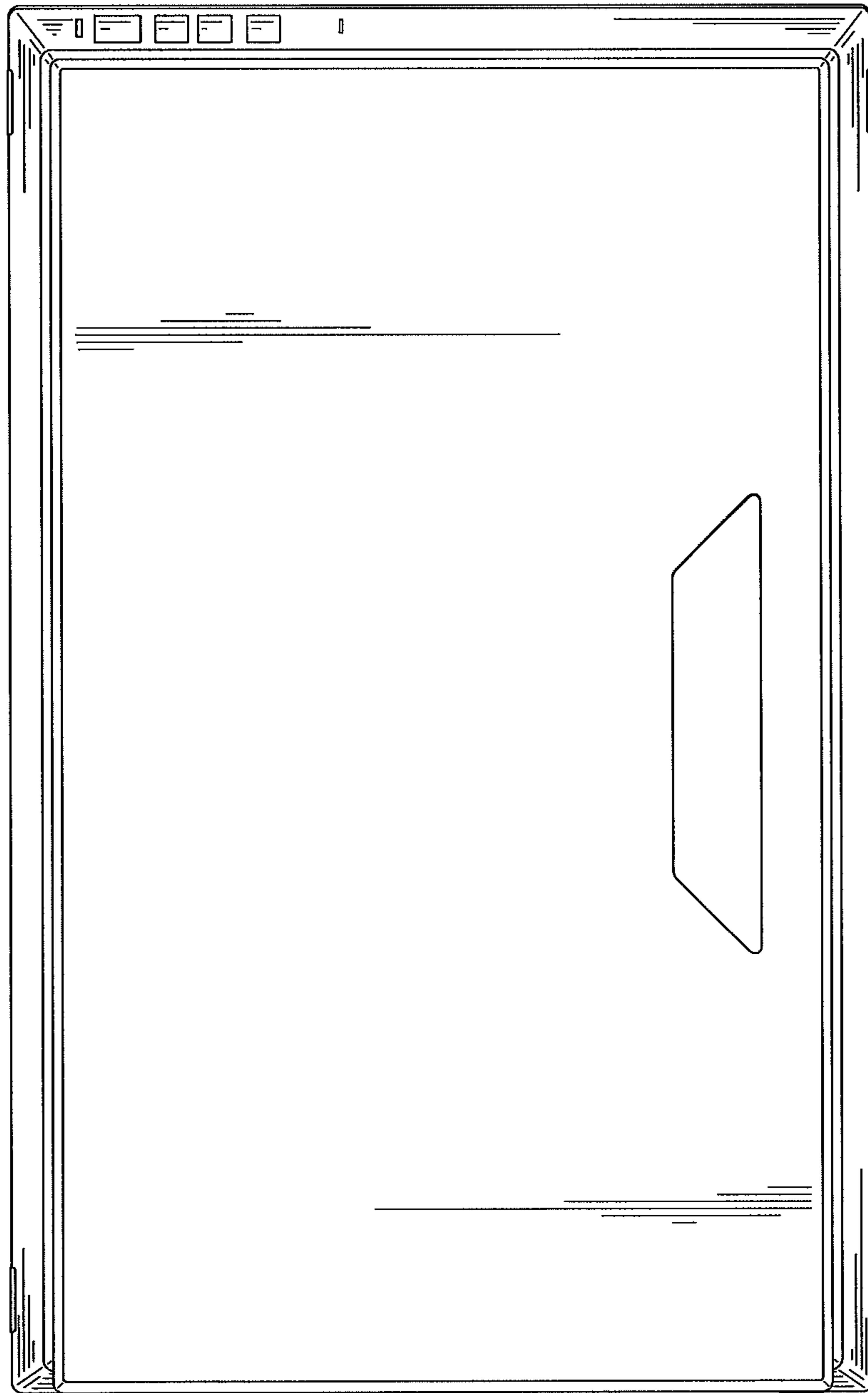


FIG. 3

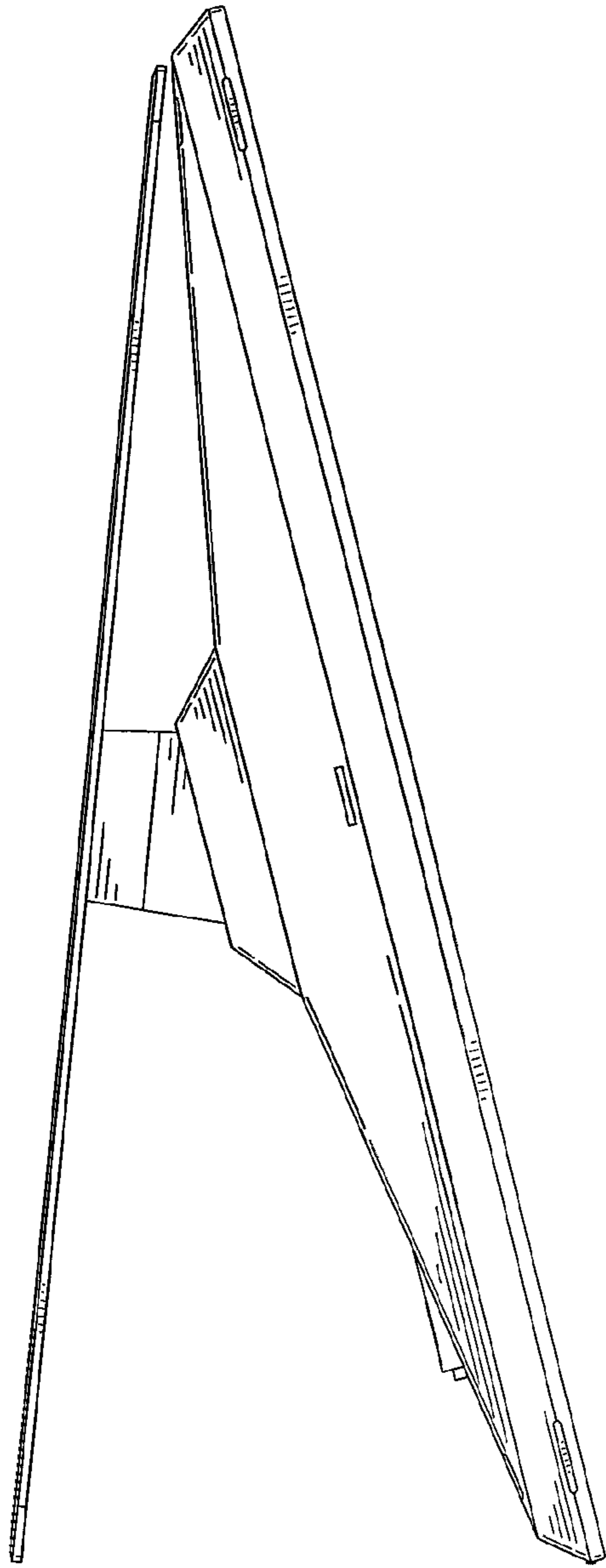


FIG. 4

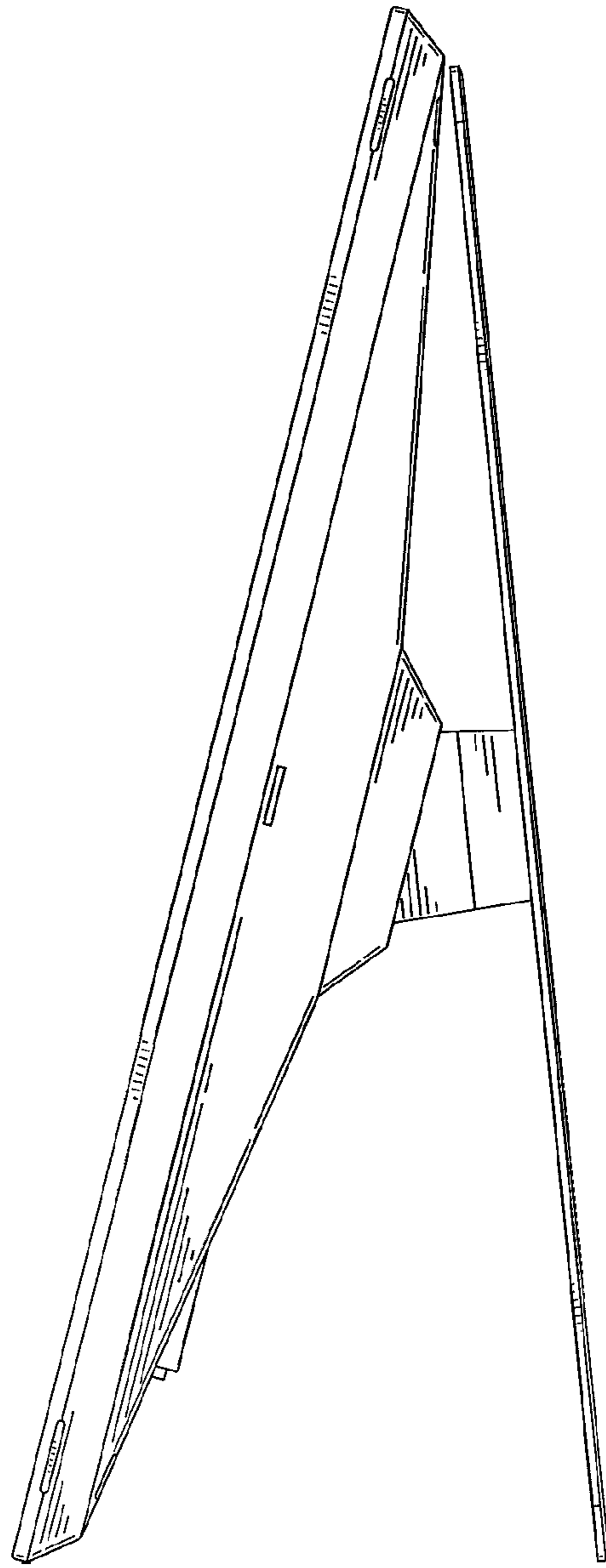


FIG. 5

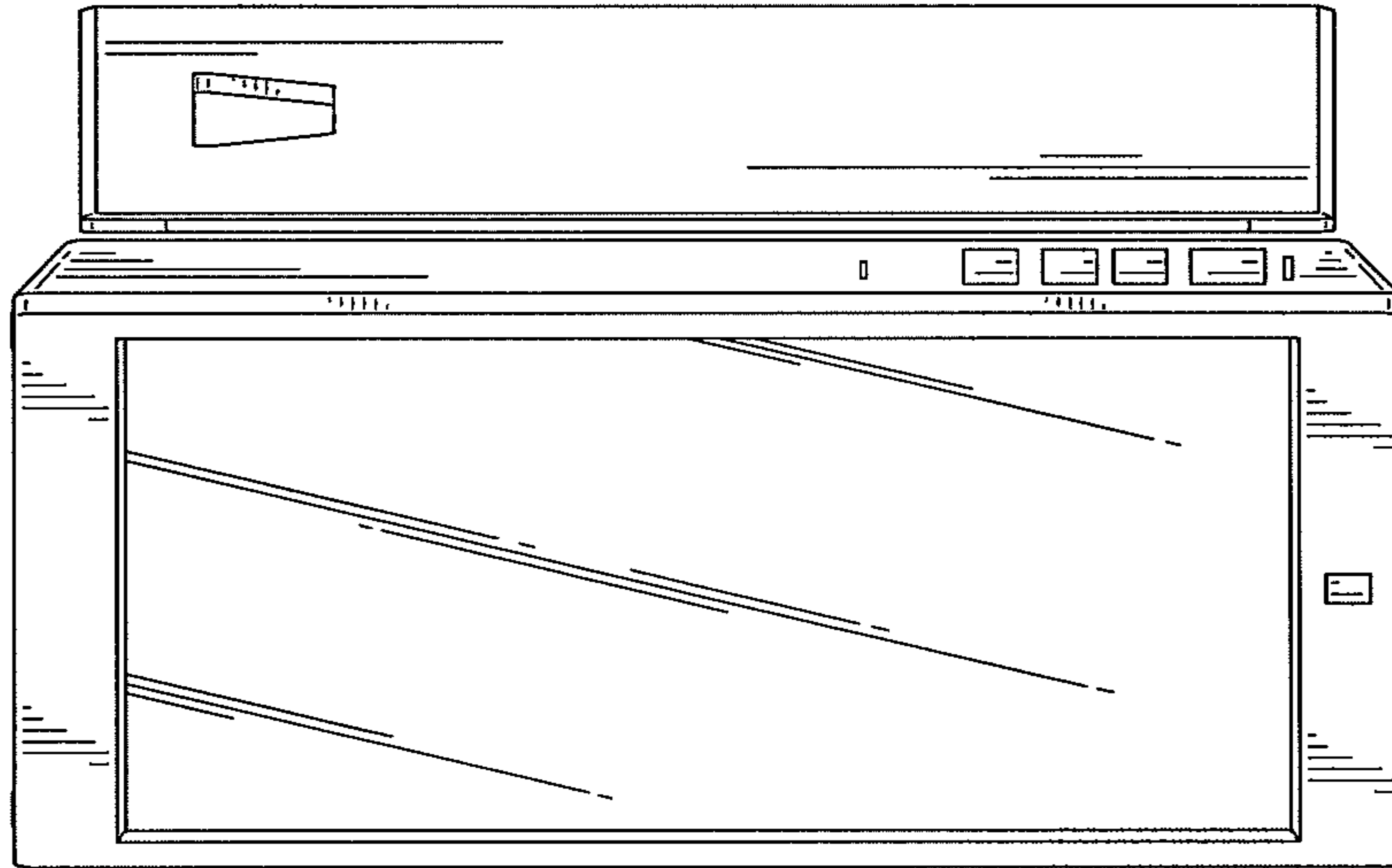


FIG. 6

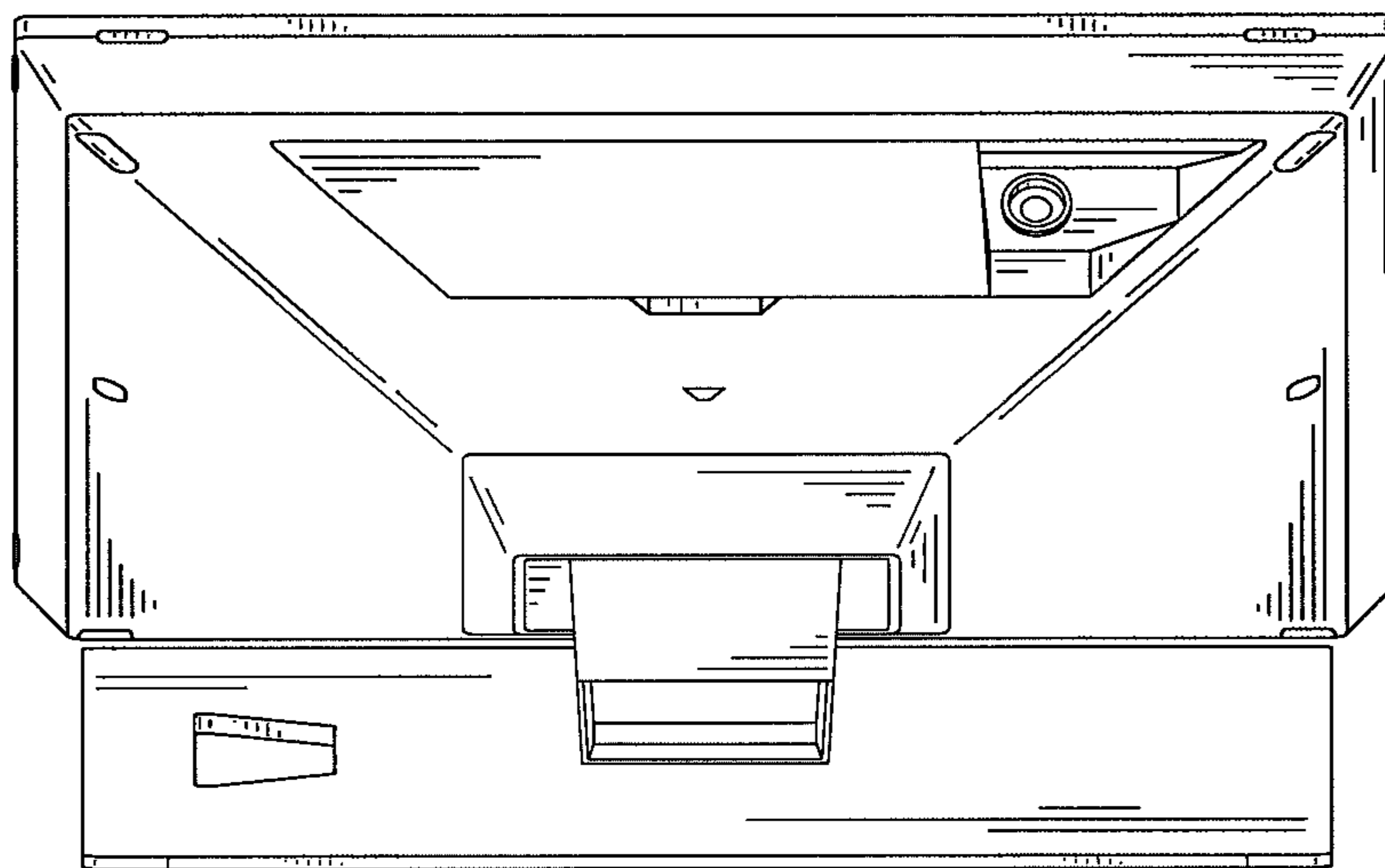


FIG. 7

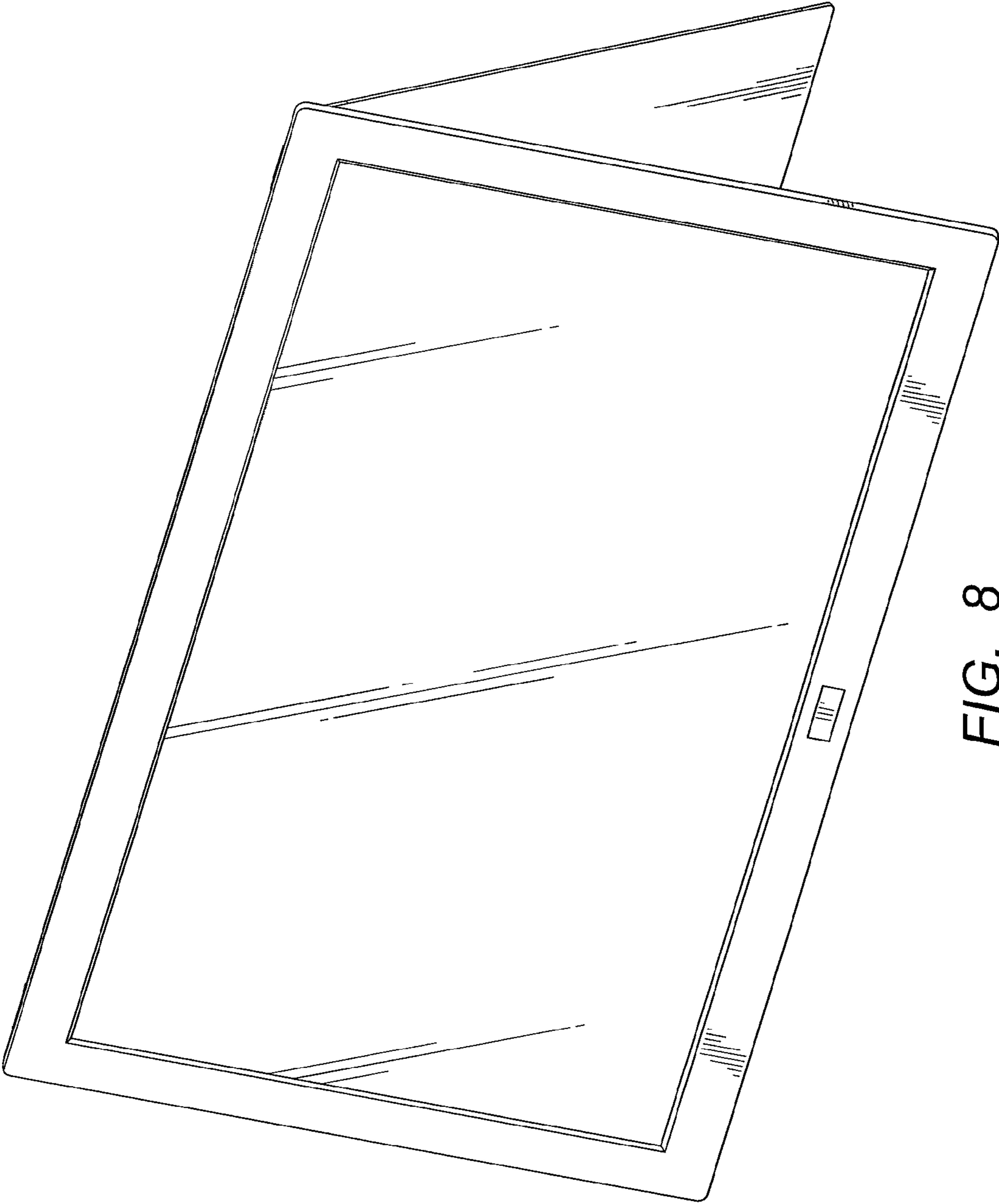


FIG. 8

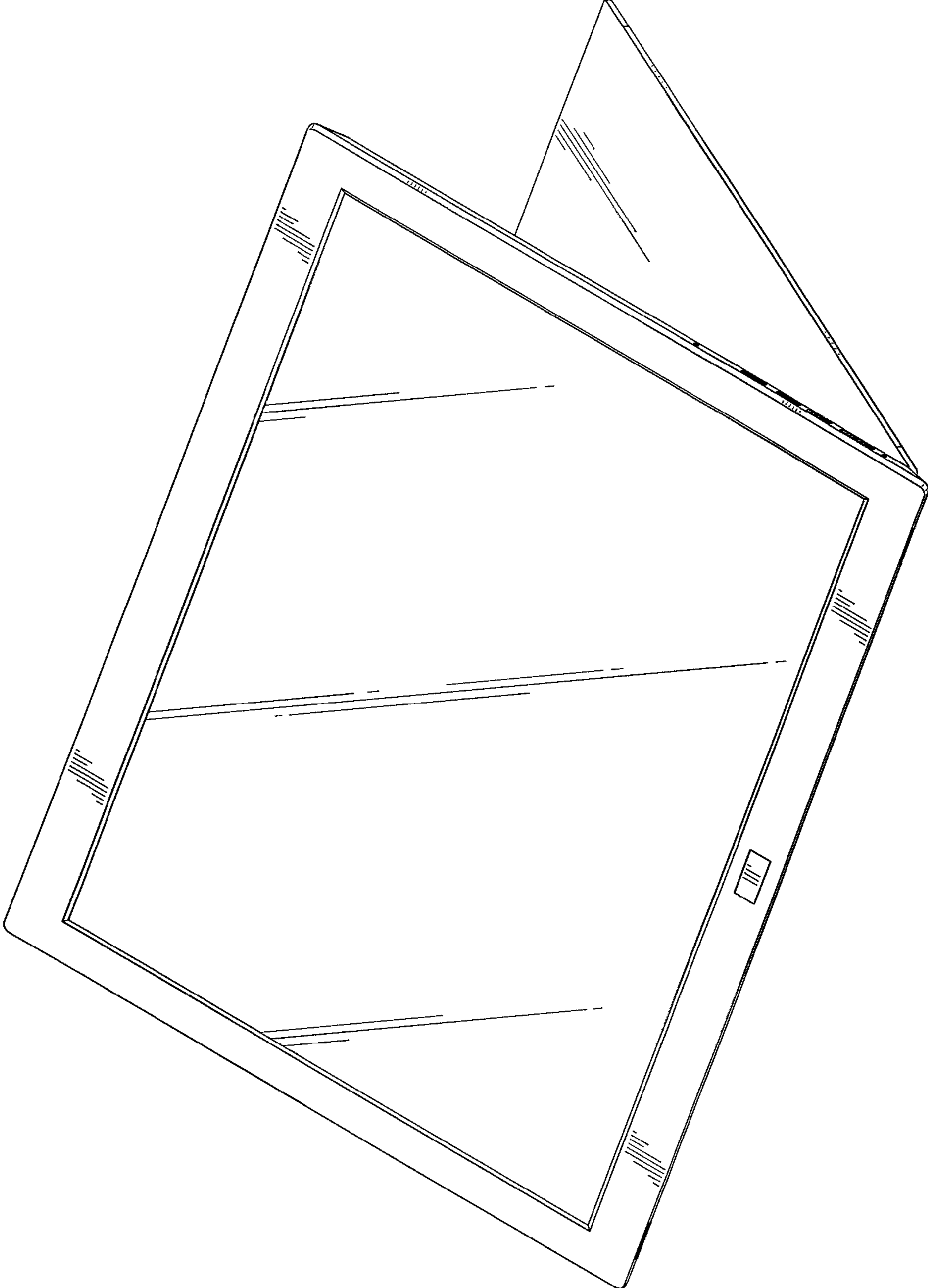


FIG. 9

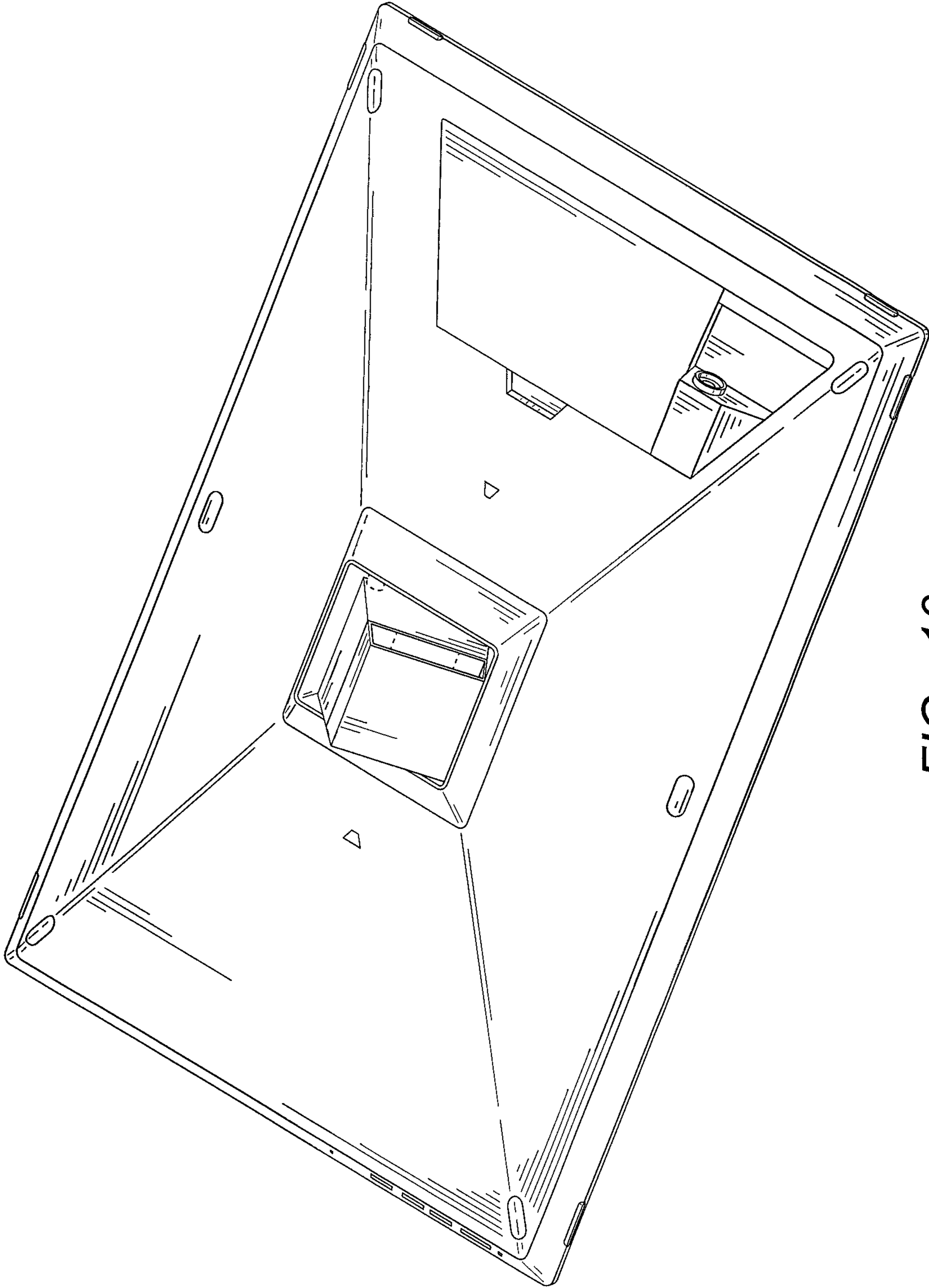


FIG. 10

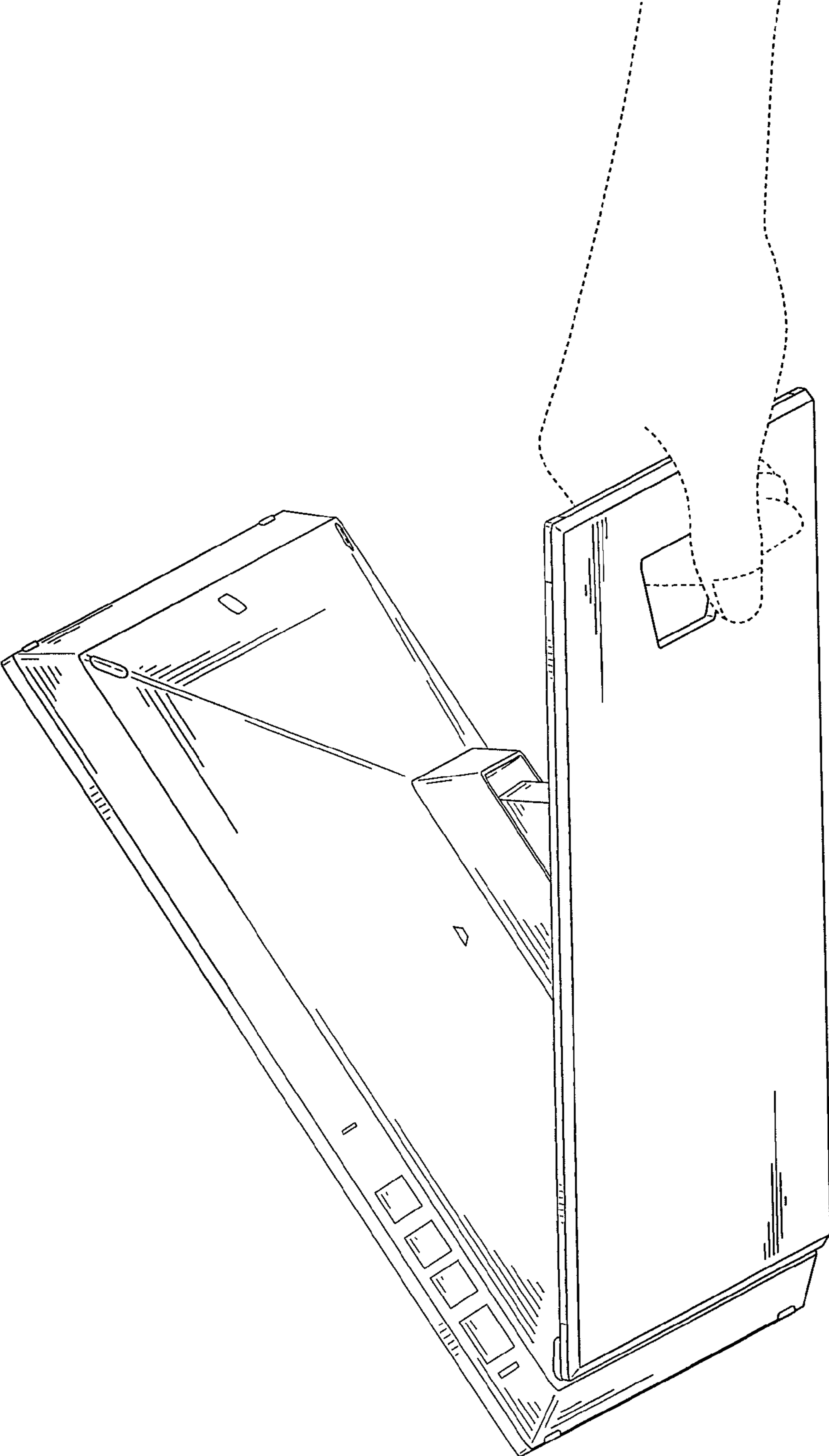


FIG. 11