



US00D690687S

(12) **United States Design Patent**
Sun et al.

(10) **Patent No.:** **US D690,687 S**
(45) **Date of Patent:** **** Oct. 1, 2013**

(54) **WRIST STRAP RFID TAG**

(71) Applicant: **Hon Hai Precision Industry Co., Ltd.**,
New Taipei (TW)

(72) Inventors: **Zong-Yuan Sun**, New Taipei (TW);
Da-Hua Xiao, Shenzhen (CN)

(73) Assignee: **Hon Hai Precision Industry Co., Ltd.**,
New Taipei (TW)

(**) Term: **14 Years**

(21) Appl. No.: **29/446,737**

(22) Filed: **Feb. 27, 2013**

(30) **Foreign Application Priority Data**

Jan. 24, 2013 (CN) 2013 3 0022267

(51) **LOC (9) Cl.** **14-03**

(52) **U.S. Cl.**
USPC **D14/230**

(58) **Field of Classification Search**
USPC D14/138, 230-238, 299, 358; D12/42,
D12/43; 343/700 R-705, 871-908, 795,
343/840, 711-713, 819, 846; 455/90.2, 90.3,
455/91, 128, 269, 344, 347, 562.1; D11/3,
D11/32, 53

See application file for complete search history.

(56) **References Cited**

U.S. PATENT DOCUMENTS

D102,126	S	*	12/1936	Cook	D1/104
D224,103	S	*	7/1972	Wiethop	D24/102
D252,477	S	*	7/1979	Wills, Jr.	D1/108
D278,544	S	*	4/1985	Dunn	D19/91
D391,189	S	*	2/1998	Koumi	D11/83
D567,703	S	*	4/2008	Fuhrman	D11/53
D648,125	S	*	11/2011	Mohammad et al.	D3/270
D677,881	S	*	3/2013	Hedaya	D3/217

* cited by examiner

Primary Examiner — John Windmuller

(74) *Attorney, Agent, or Firm* — Altis Law Group, Inc.

(57) **CLAIM**

The ornamental design for a wrist strap RFID tag, as shown and described.

DESCRIPTION

FIG. 1 is a perspective view of a wrist strap RFID tag showing our new design;

FIG. 2 is a front elevational view thereof;

FIG. 3 is a rear elevational view thereof;

FIG. 4 is a left side elevational view thereof;

FIG. 5 is a right side elevational view thereof;

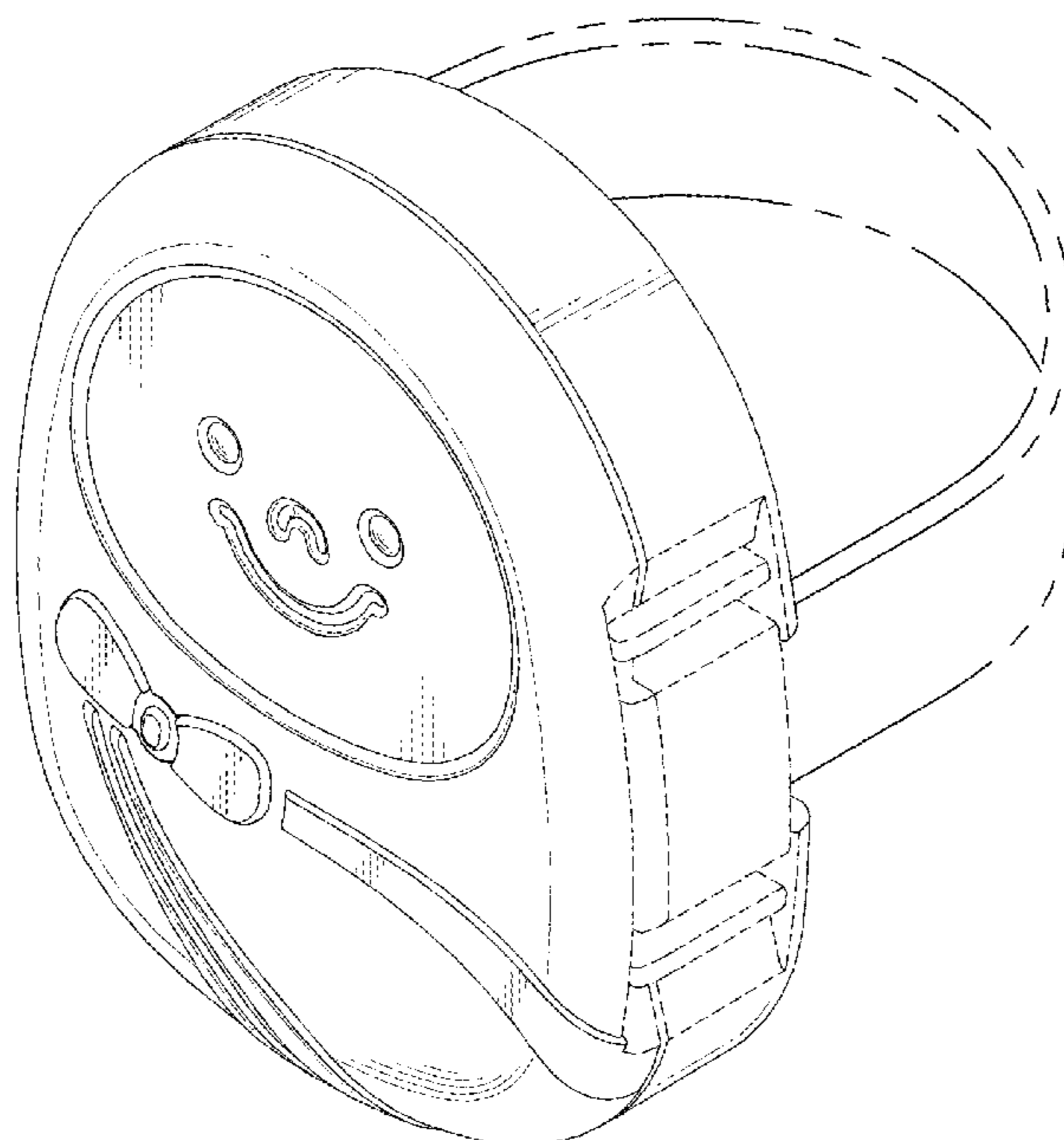
FIG. 6 is a top plan view thereof;

FIG. 7 is a bottom plan view thereof; and,

FIG. 8 is a perspective view thereof in use.

The broken lines in FIGS. 1-8 represent portions of the wrist strap RFID tag that form no part of the claimed design. The broken line showing of a strap in FIG. 8 represents environment only and forms no part of the claimed design.

1 Claim, 8 Drawing Sheets



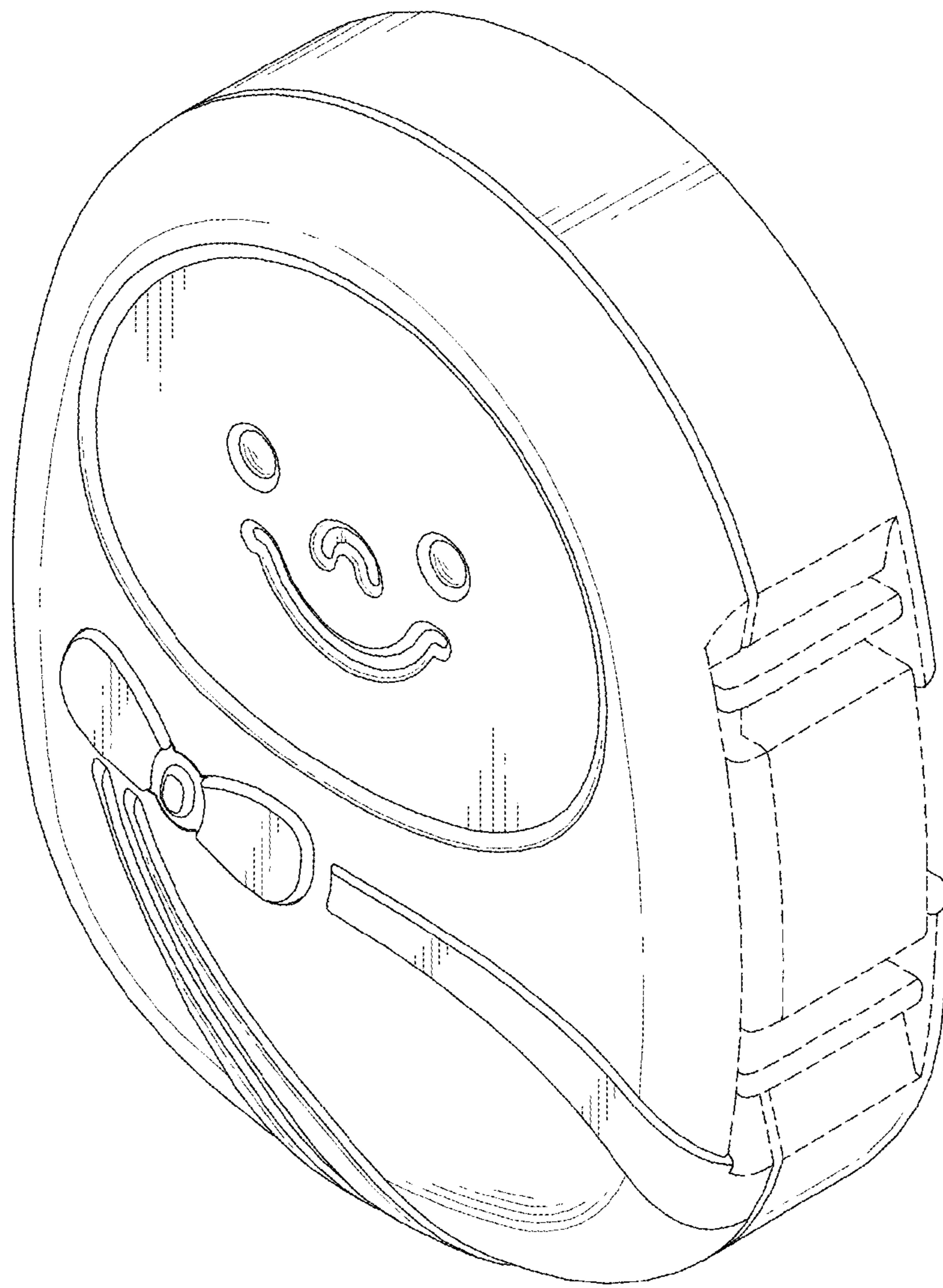


FIG. 1

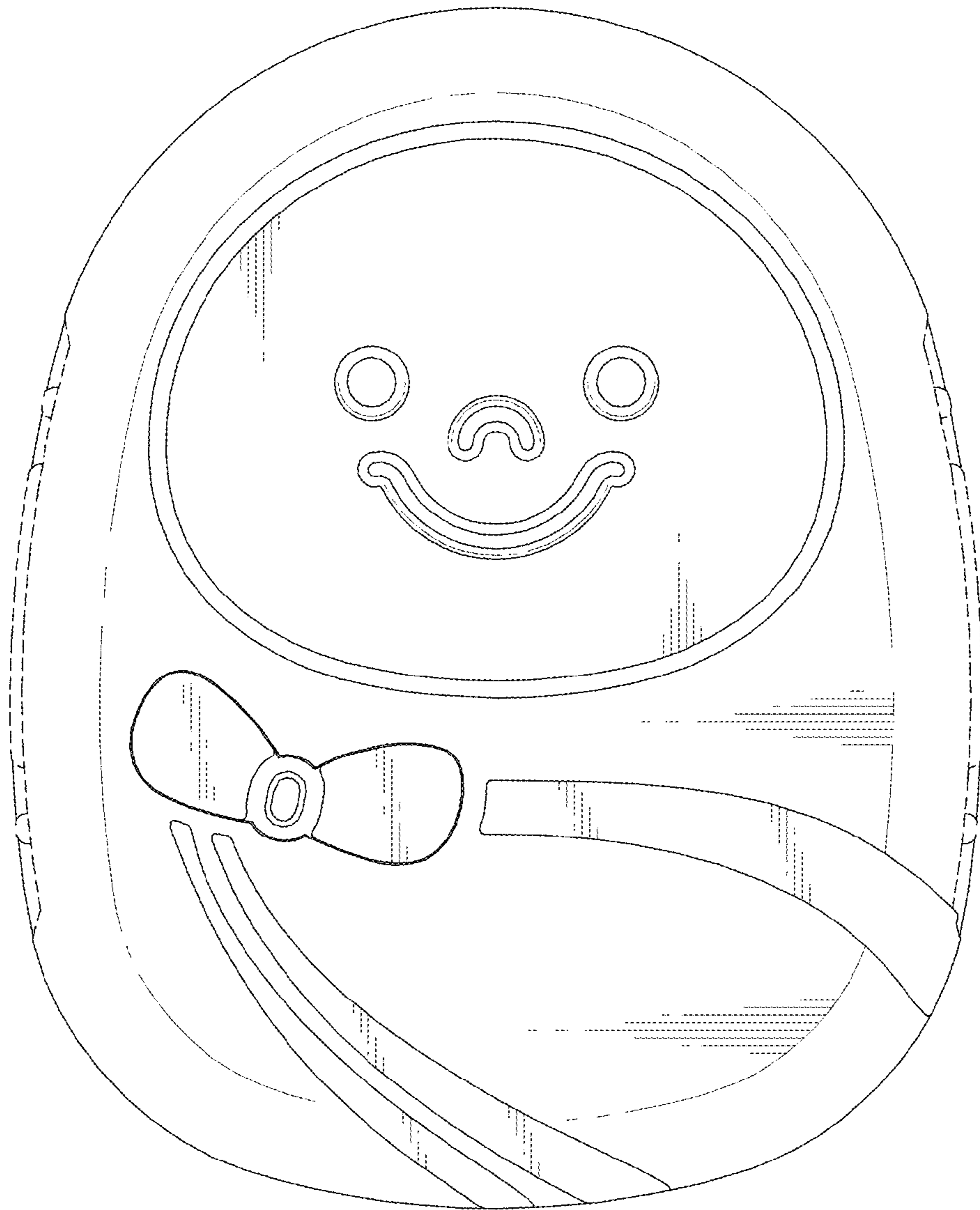


FIG. 2

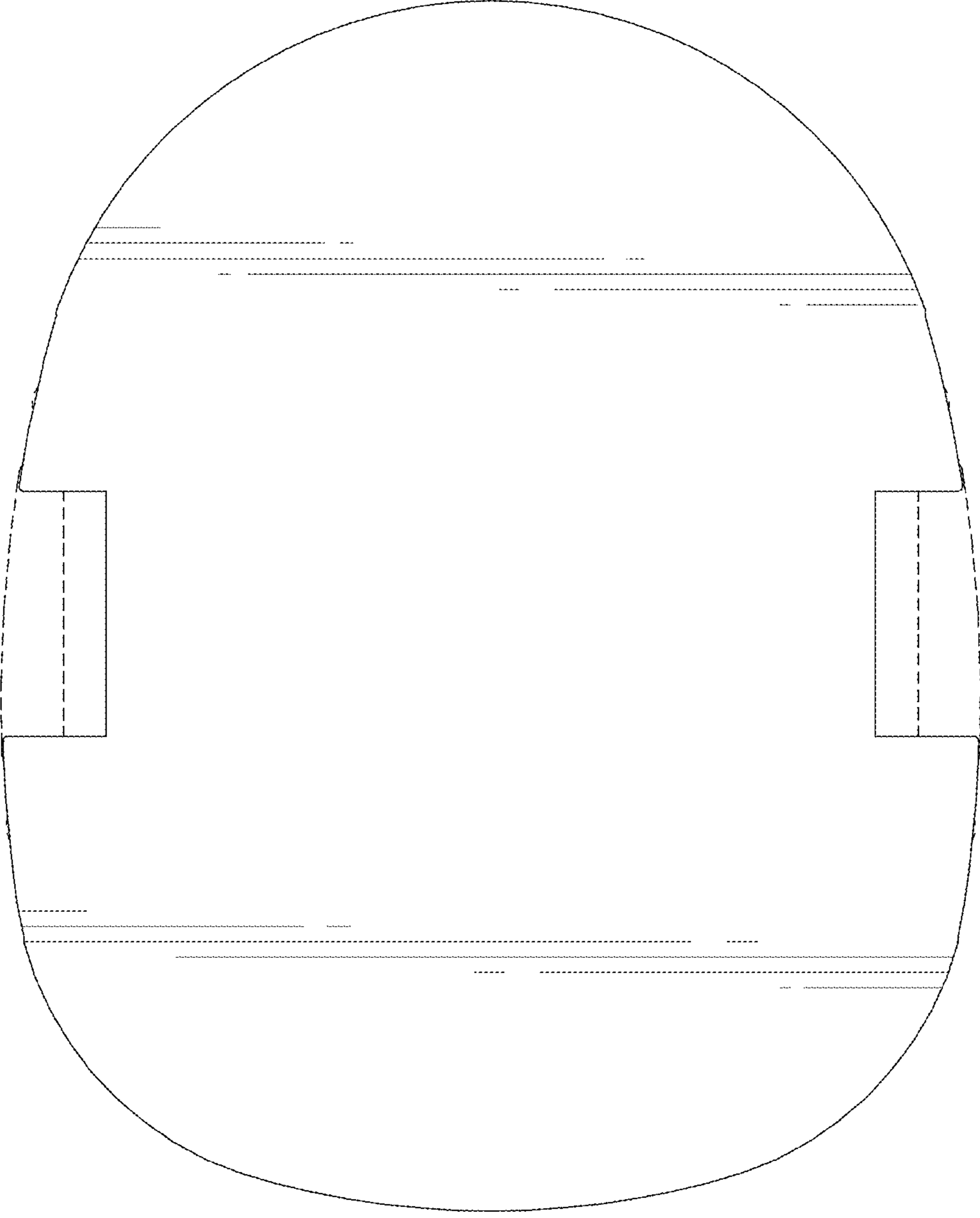


FIG. 3

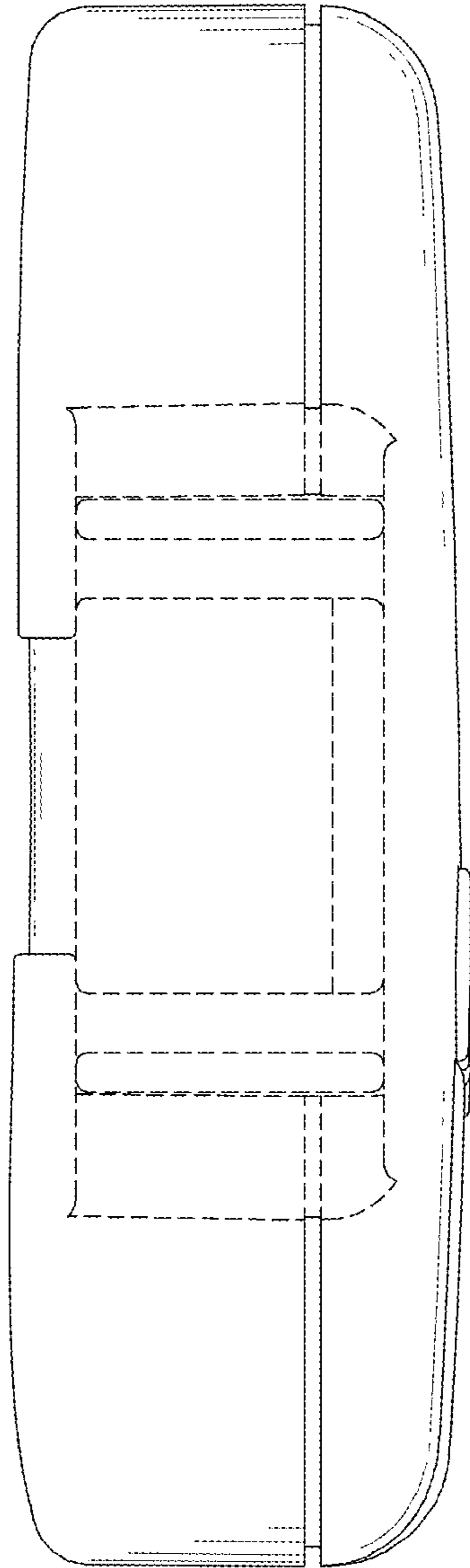


FIG. 4

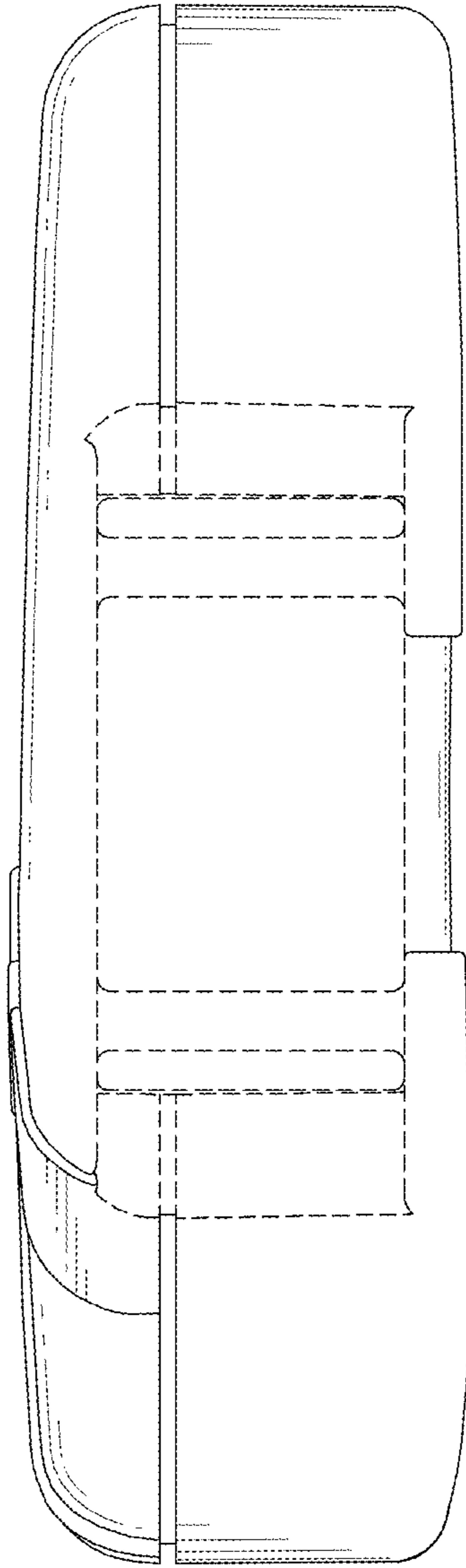


FIG. 5

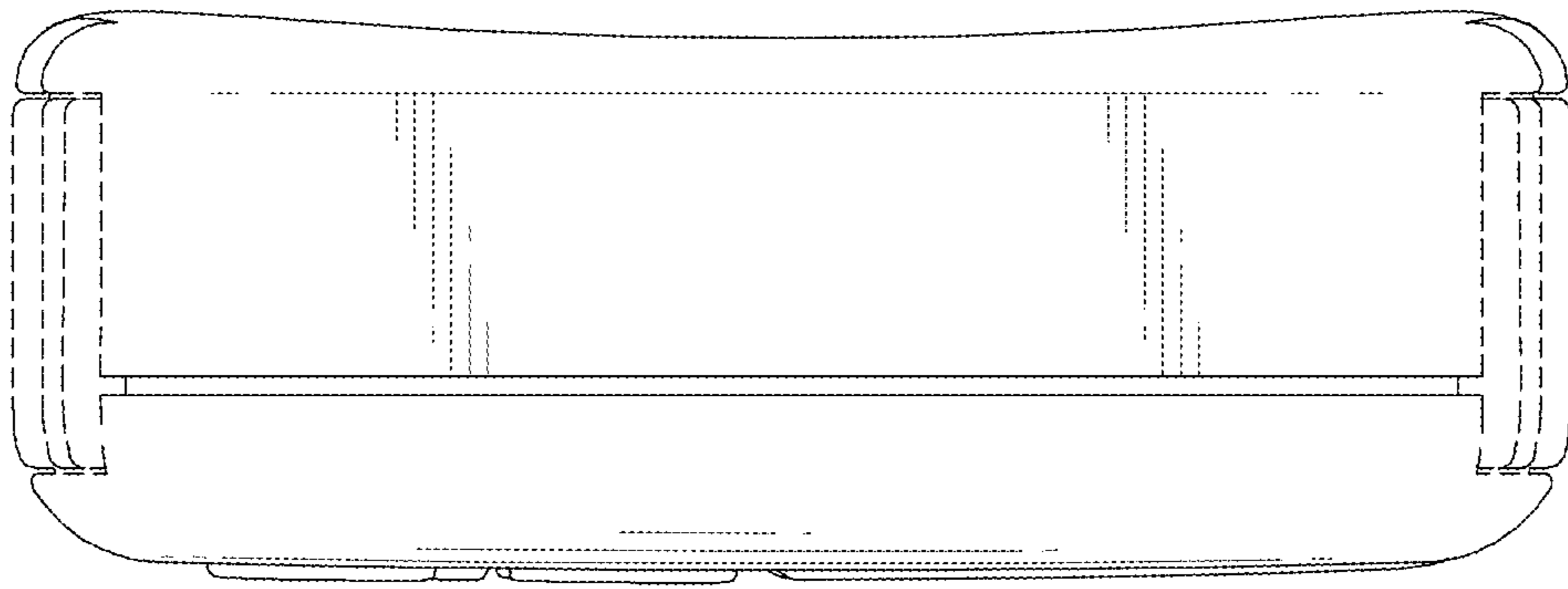


FIG. 6

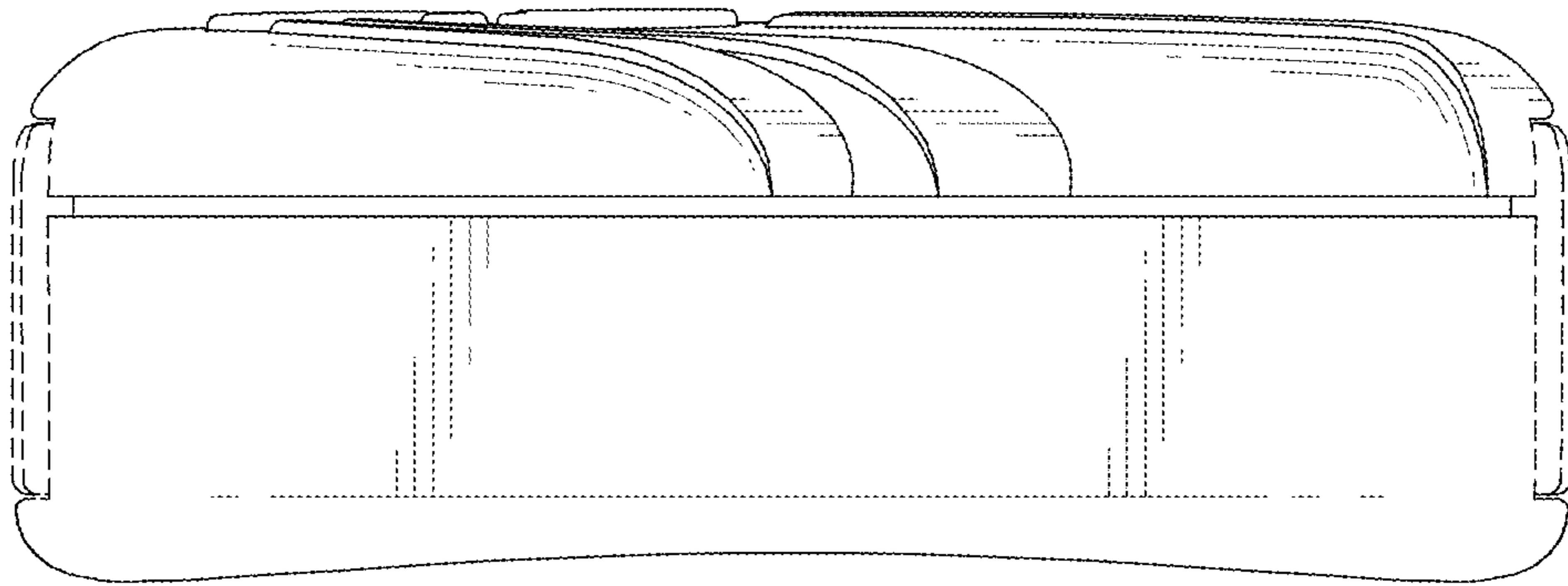


FIG. 7

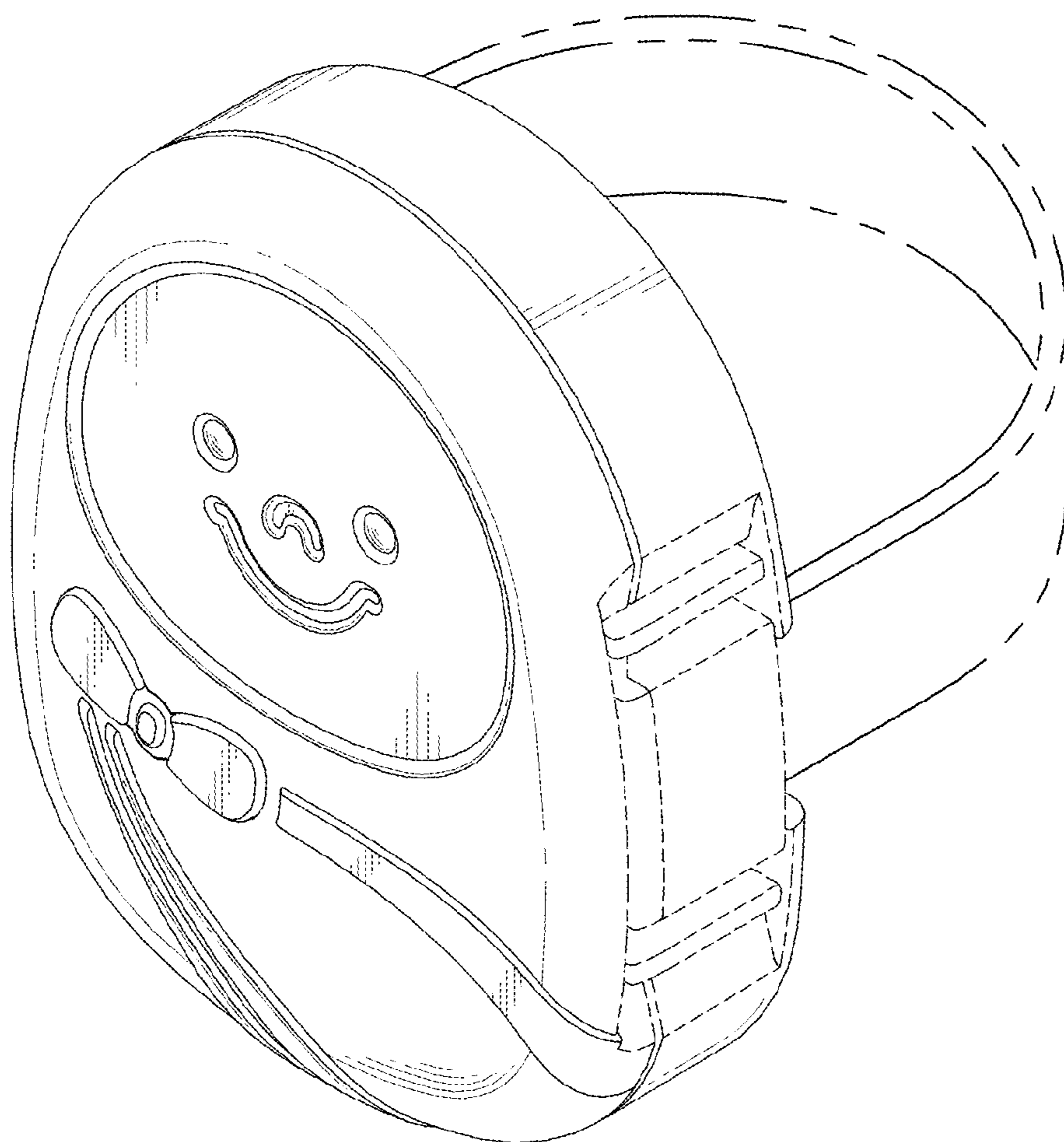


FIG. 8