



US00D690686S

(12) **United States Design Patent**
Iacovelli et al.

(10) **Patent No.:** **US D690,686 S**
(45) **Date of Patent:** **** Oct. 1, 2013**

(54) **EARPHONE**

(71) Applicant: **Falcon Capital Holdings & Investments, Inc.**, Miami, FL (US)

(72) Inventors: **Marc Iacovelli**, Miami, FL (US); **Eddie Garrastacho**, Miami, FL (US); **Saied Hussaini**, Miami, FL (US)

(73) Assignee: **Falcon Capital Holdings & Investments, Inc.**, Miami, FL (US)

(**) Term: **14 Years**

(21) Appl. No.: **29/433,344**

(22) Filed: **Sep. 28, 2012**

(51) **LOC (9) Cl.** **14-01**

(52) **U.S. Cl.**
USPC **D14/223**

(58) **Field of Classification Search**
USPC D14/223; D24/174; 181/129, 130,
181/135; 379/430, 431; 381/380, 381, 322;
455/90.3, 575.1
See application file for complete search history.

(56) **References Cited**

U.S. PATENT DOCUMENTS

2,248,837	A *	7/1941	Walters	381/380
2,430,229	A *	11/1947	Kelsey	381/338
3,265,819	A *	8/1966	Herrmann	381/321
3,440,365	A *	4/1969	Hazell et al.	379/430

5,410,608	A *	4/1995	Lucey et al.	381/360
5,748,743	A *	5/1998	Weeks	381/328
D457,514	S *	5/2002	Marion et al.	D14/223
6,574,345	B1 *	6/2003	Huang	381/380
D643,417	S *	8/2011	Lee et al.	D14/223
D652,822	S *	1/2012	Lee et al.	D14/223
D666,581	S *	9/2012	Perez	D14/223
D670,275	S *	11/2012	Tompkin et al.	D14/223
D673,531	S *	1/2013	Lee et al.	D14/223
D676,027	S *	2/2013	Hedrick et al.	D14/223
D676,834	S *	2/2013	Lee et al.	D14/223
D678,251	S *	3/2013	Cantoni et al.	D14/223
D678,252	S *	3/2013	Cantoni et al.	D14/223

* cited by examiner

Primary Examiner — Paula Greene

(74) *Attorney, Agent, or Firm* — Berenato & White, LLC

(57) **CLAIM**

The ornamental design for an earphone, as shown and described.

DESCRIPTION

FIG. 1 is a perspective view of the earphone according to the present invention.

FIG. 2 is a front view of the earphone of FIG. 1.

FIG. 3 is a rear view of the earphone of FIG. 1.

FIG. 4 is a right side view of the earphone of FIG. 1.

FIG. 5 is a left side view of the earphone of FIG. 1.

FIG. 6 is a top view of the earphone of FIG. 1; and,

FIG. 7 is a bottom view of the earphone of FIG. 1.

The broken lines form no part of the claimed design.

1 Claim, 2 Drawing Sheets

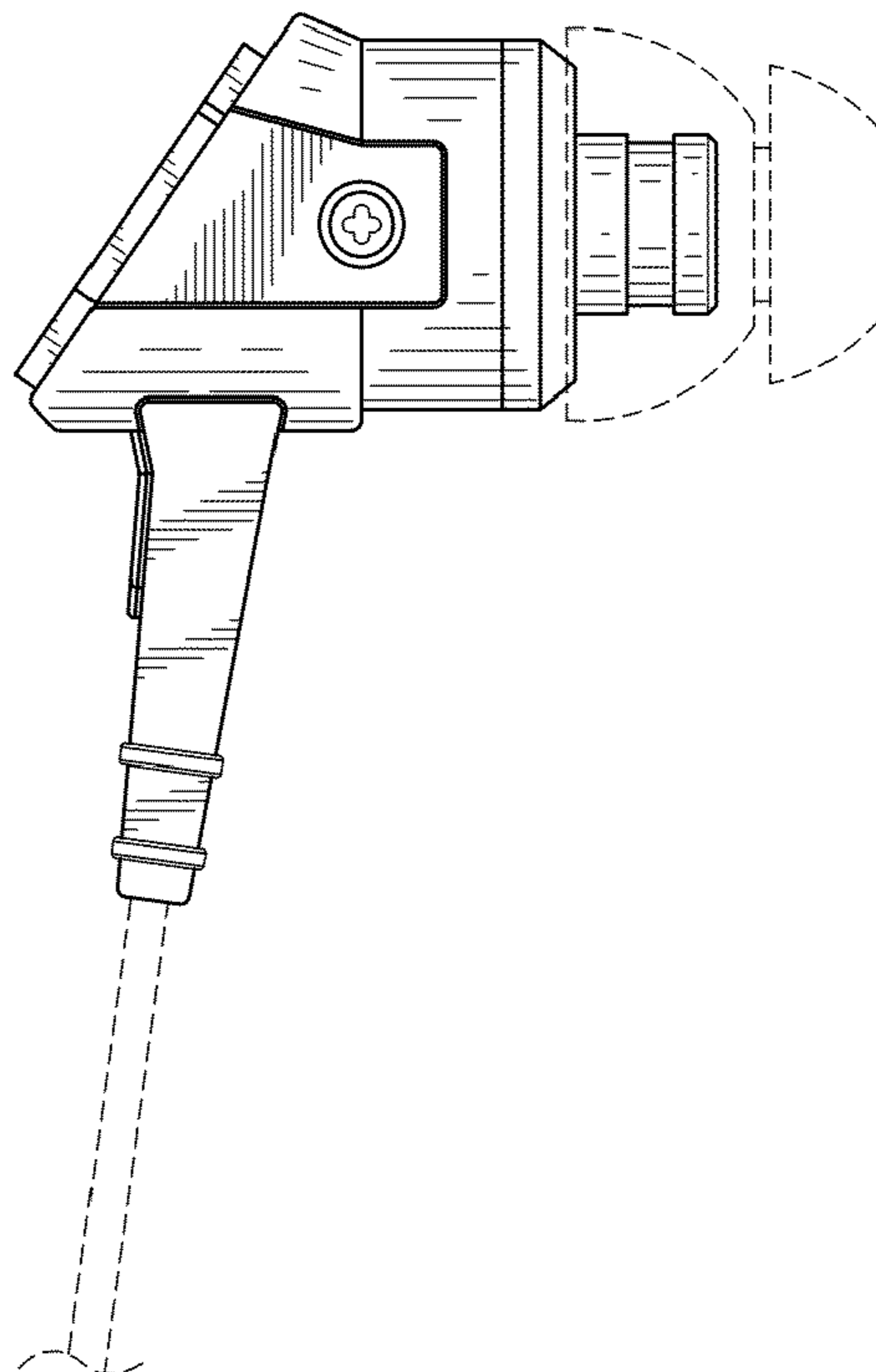
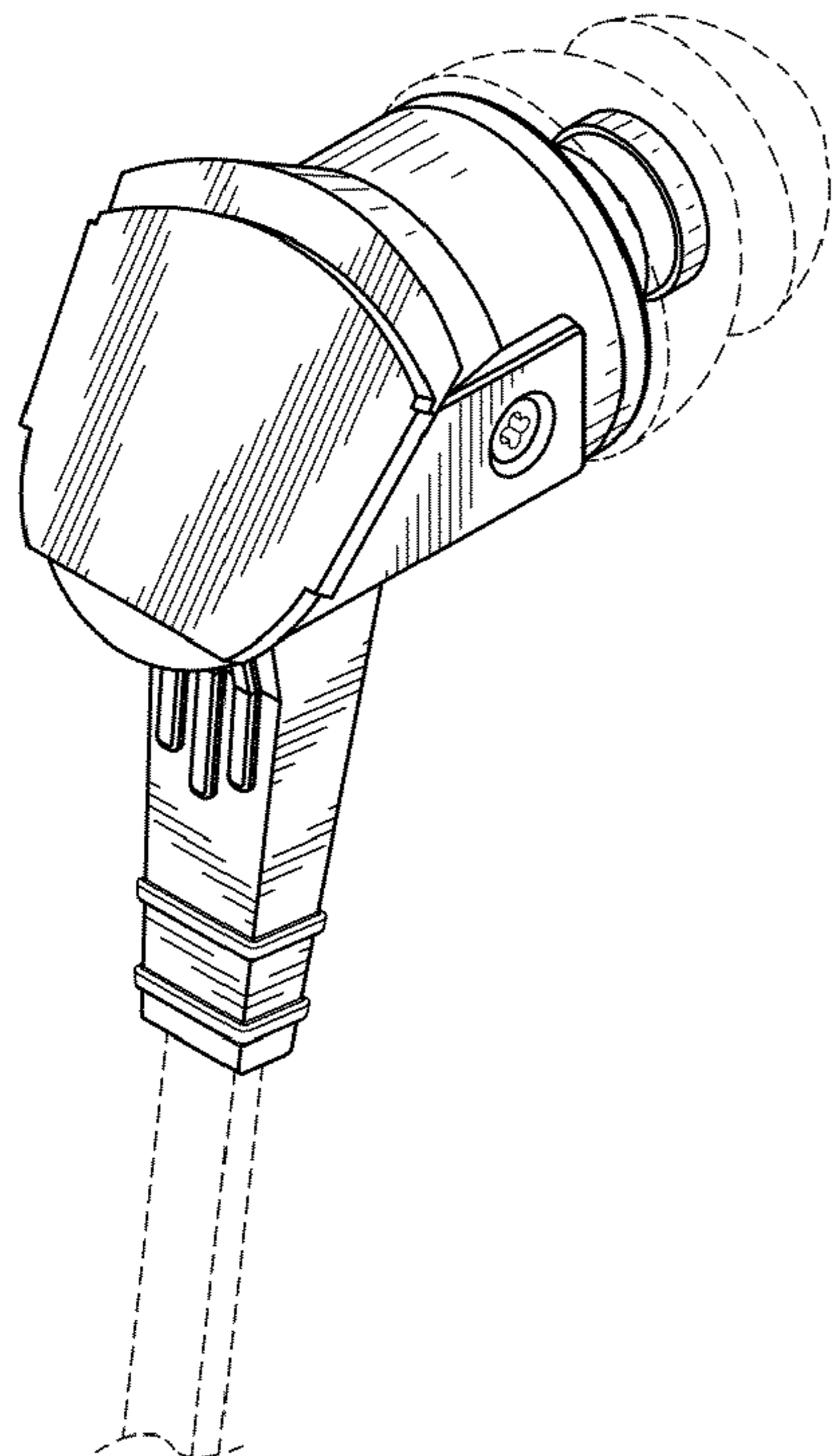


Fig. 1

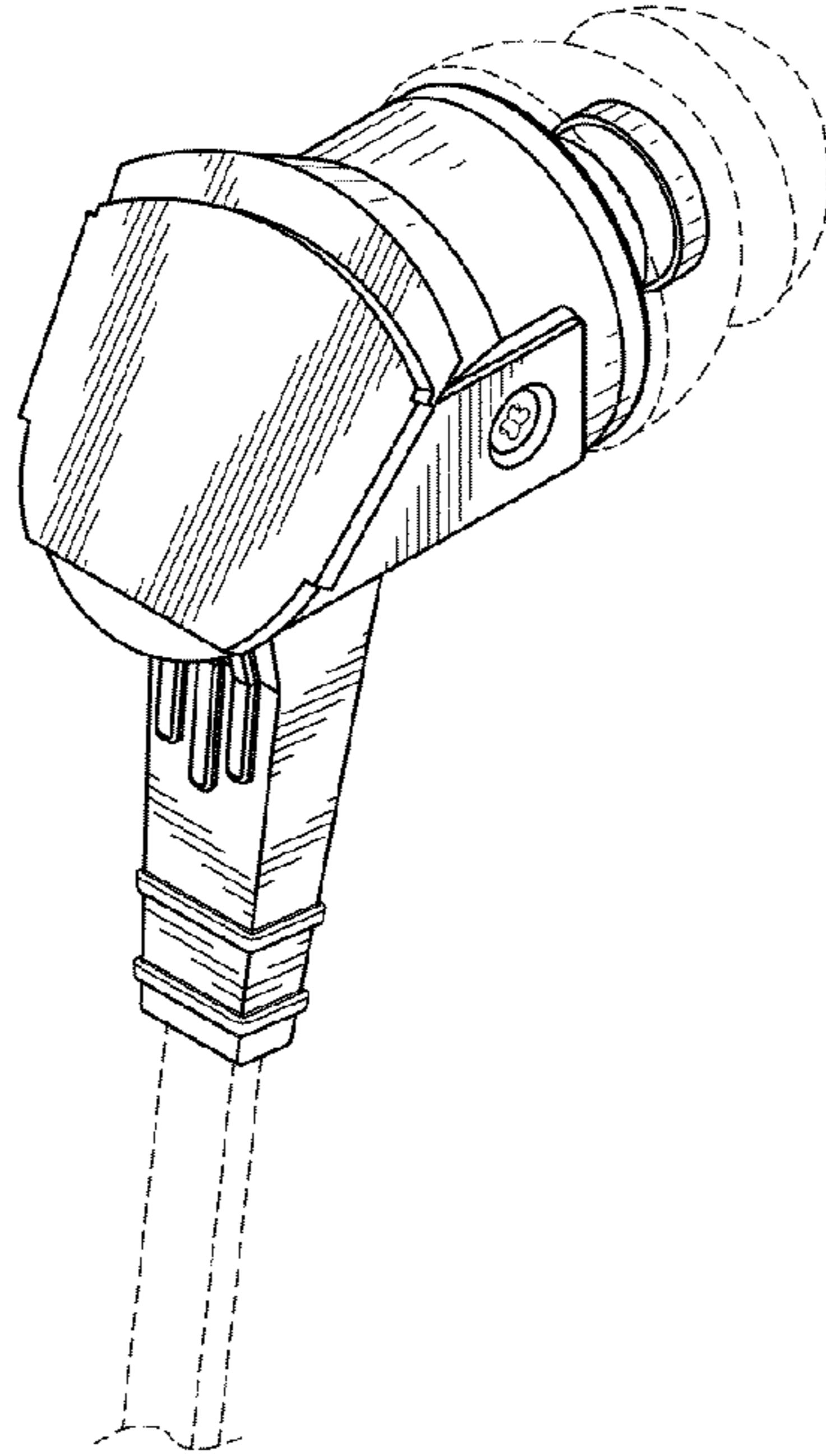


Fig. 2

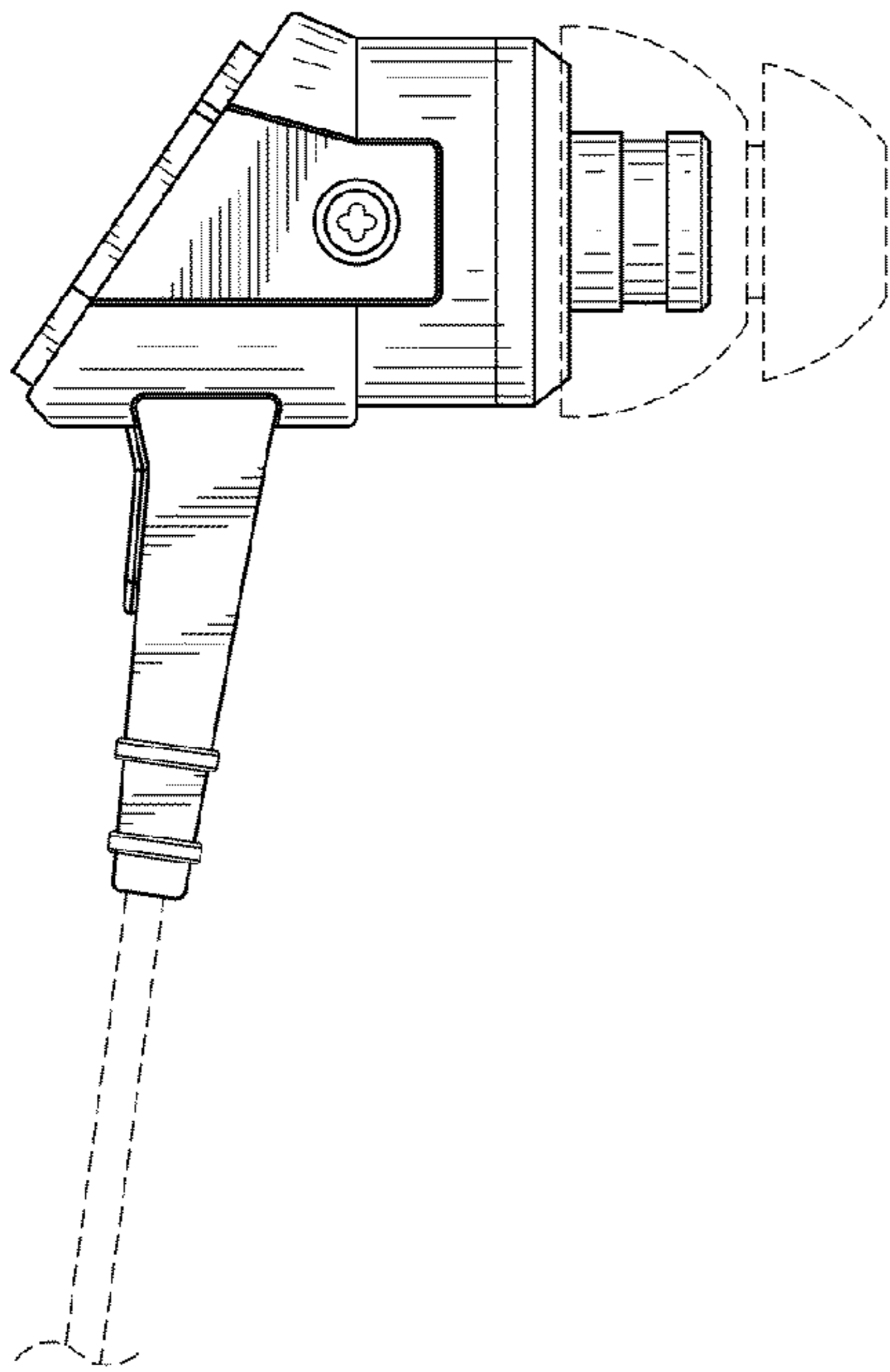


Fig. 3

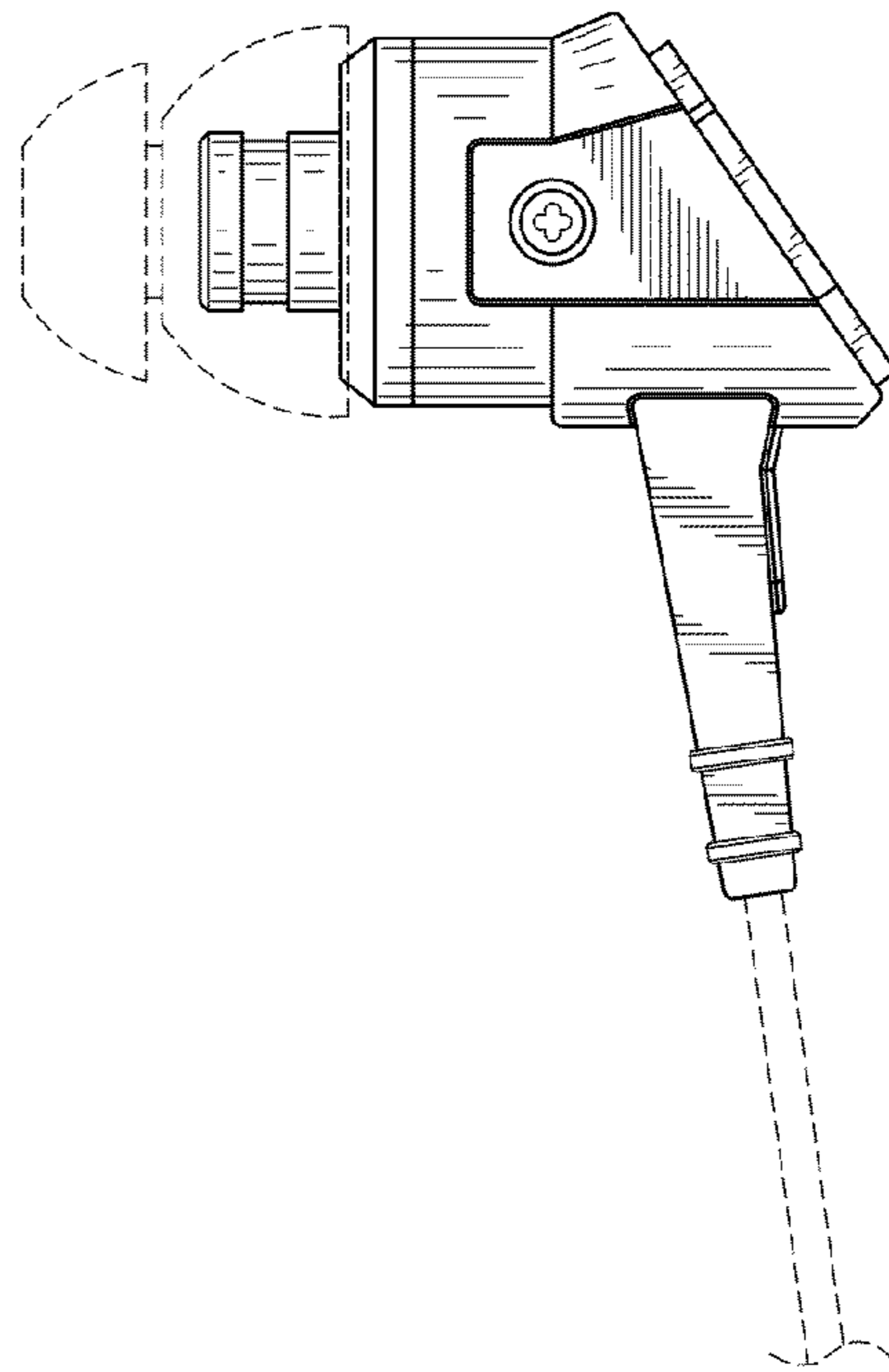


Fig. 4

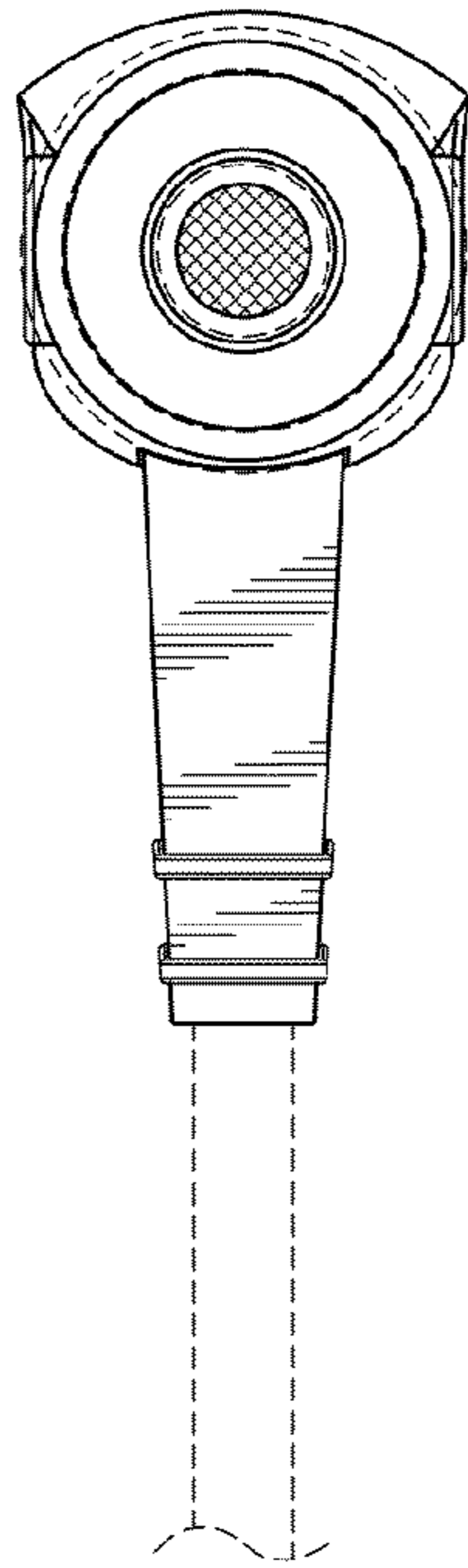


Fig. 5

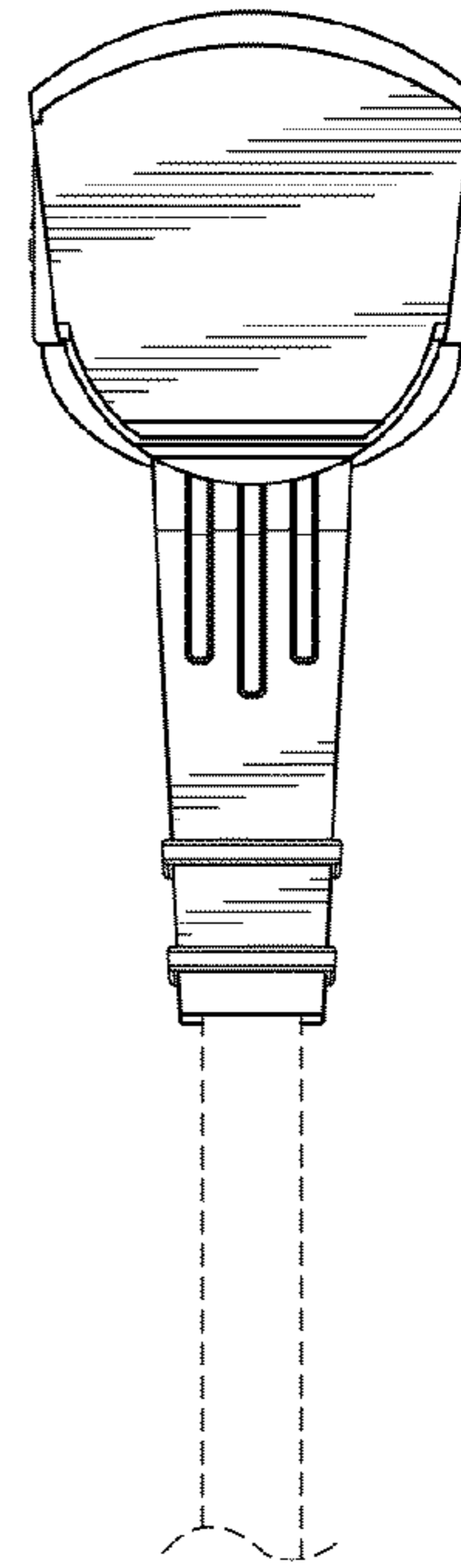


Fig. 6

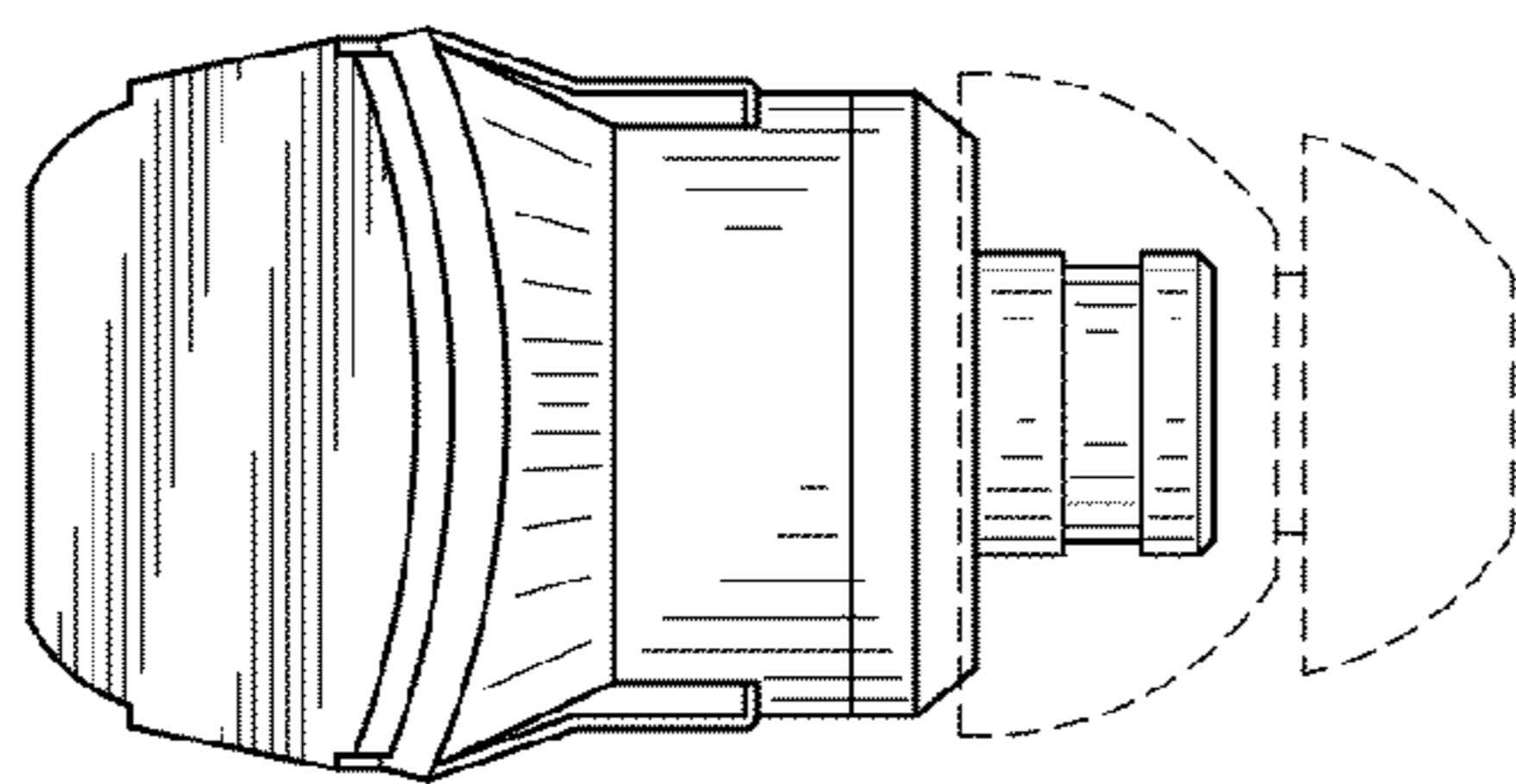


Fig. 7

