



US00D690685S

(12) **United States Design Patent**  
**Iacovelli et al.**

(10) **Patent No.:** **US D690,685 S**

(45) **Date of Patent:** **\*\* Oct. 1, 2013**

(54) **EARPHONE**

(75) Inventors: **Marc Iacovelli**, Miami, FL (US); **Eddie Garrastacho**, Miami, FL (US)

(73) Assignee: **A Audio Headphones, Inc.**, Miami, FL (US)

(\*\*) Term: **14 Years**

(21) Appl. No.: **29/432,050**

(22) Filed: **Sep. 13, 2012**

(51) **LOC (9) Cl.** ..... **14-01**

(52) **U.S. Cl.**  
USPC ..... **D14/223**

(58) **Field of Classification Search**  
USPC ..... D14/223; D24/174; 181/129, 130,  
181/135; 379/430, 431; 381/380, 381, 322;  
455/90.3, 575.1

See application file for complete search history.

(56) **References Cited**

U.S. PATENT DOCUMENTS

4,588,867	A *	5/1986	Konomi	.....	379/430
D567,217	S *	4/2008	Kamo et al.	.....	D14/205
D602,475	S *	10/2009	Martin	.....	D14/223
D611,934	S *	3/2010	Schaefer	.....	D14/223
D627,338	S *	11/2010	Koss et al.	.....	D14/223
D642,163	S *	7/2011	Lee et al.	.....	D14/223
D643,416	S *	8/2011	Chong et al.	.....	D14/223

D643,833	S *	8/2011	Lee et al.	.....	D14/223
D647,888	S *	11/2011	Katsuraku et al.	.....	D14/223
D650,368	S *	12/2011	Lee et al.	.....	D14/223
D666,581	S *	9/2012	Perez	.....	D14/223
D674,377	S *	1/2013	Schaefer	.....	D14/223
D674,904	S *	1/2013	Aunio	.....	D24/210
8,391,536	B2 *	3/2013	Hashimoto	.....	381/380
D680,102	S *	4/2013	Chen	.....	D14/223

\* cited by examiner

*Primary Examiner* — Paula Greene

(74) *Attorney, Agent, or Firm* — Berenato & White, LLC

(57) **CLAIM**

The ornamental design for an earphone, as shown and described.

**DESCRIPTION**

FIG. 1 is a perspective view of the earphone according to the present invention.

FIG. 2 is a front view of the earphone of FIG. 1.

FIG. 3 is a rear view of the earphone of FIG. 1.

FIG. 4 is a left side view of the earphone of FIG. 1.

FIG. 5 is a right side view of the earphone of FIG. 1.

FIG. 6 is a top view of the earphone of FIG. 1; and,

FIG. 7 is a bottom view of the earphone of FIG. 1.

The broken lines form no part of the claimed design.

**1 Claim, 2 Drawing Sheets**

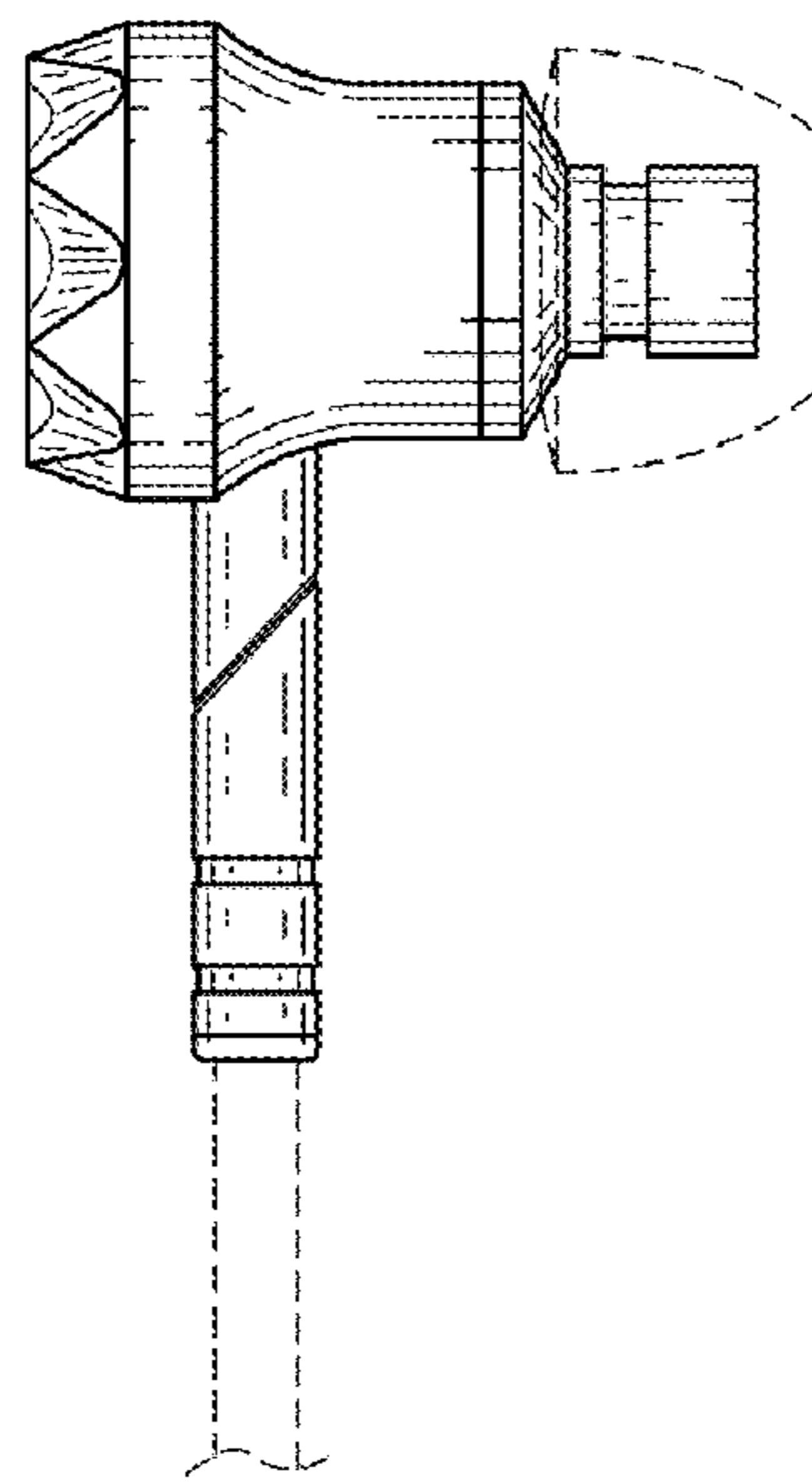
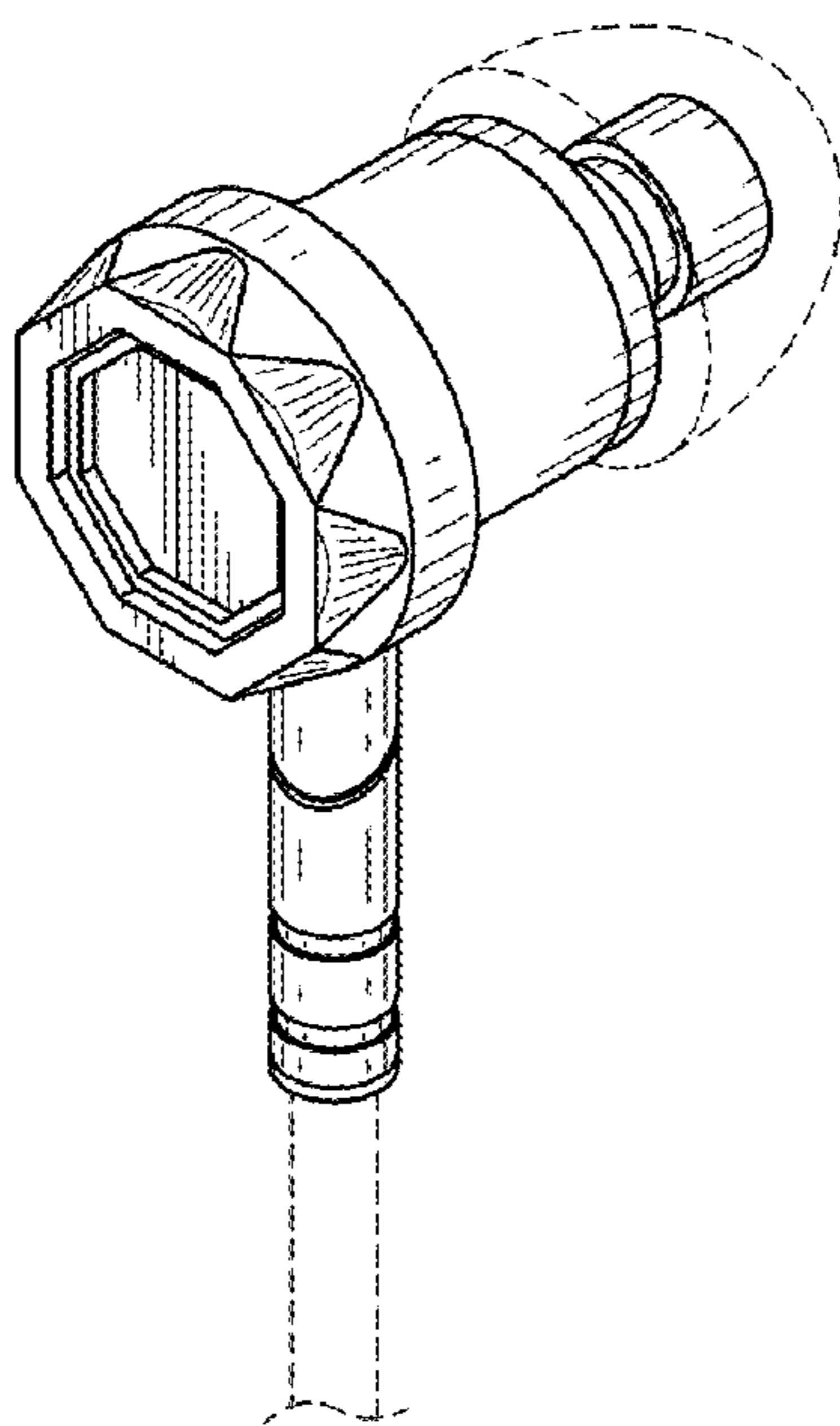


Fig. 1

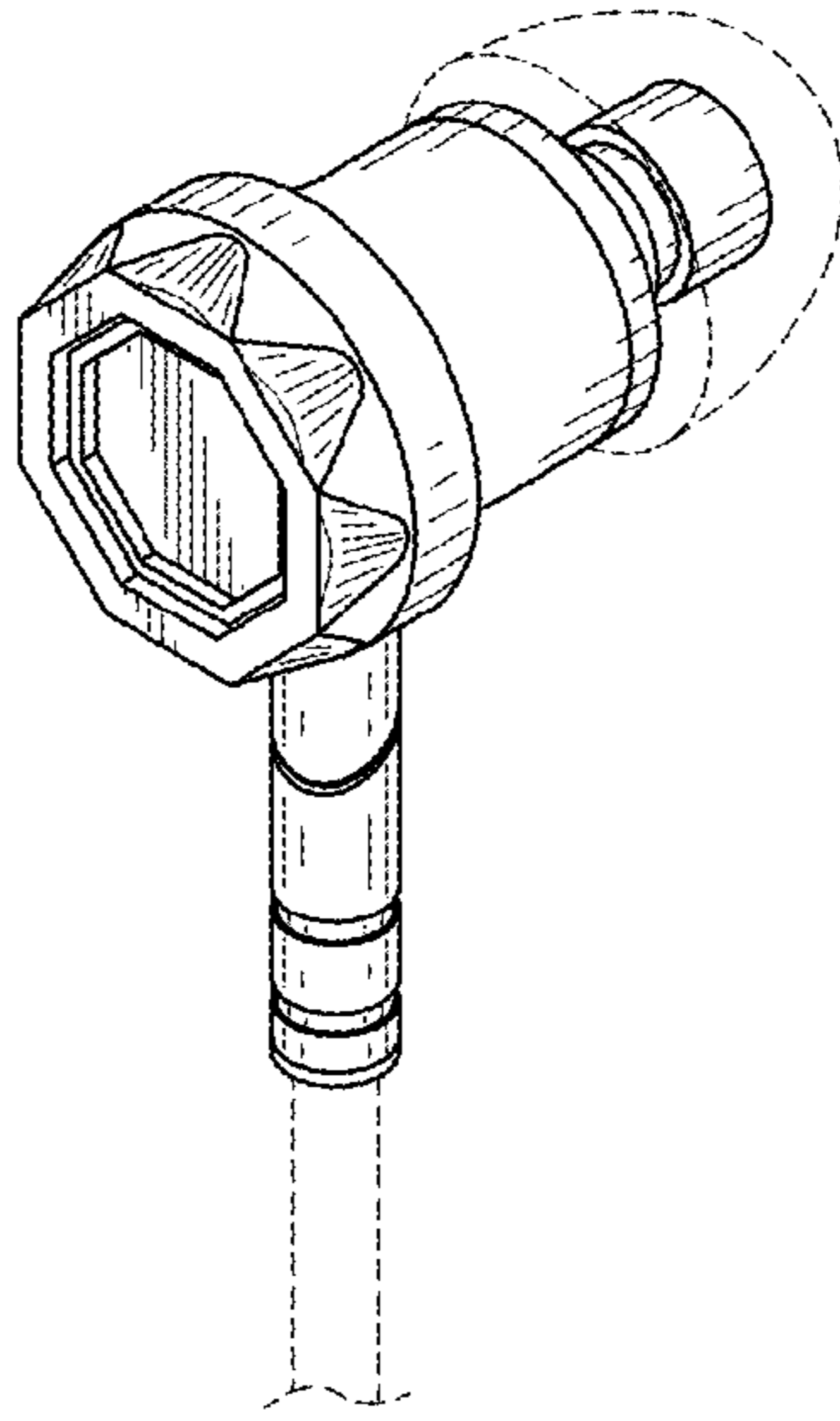


Fig. 2

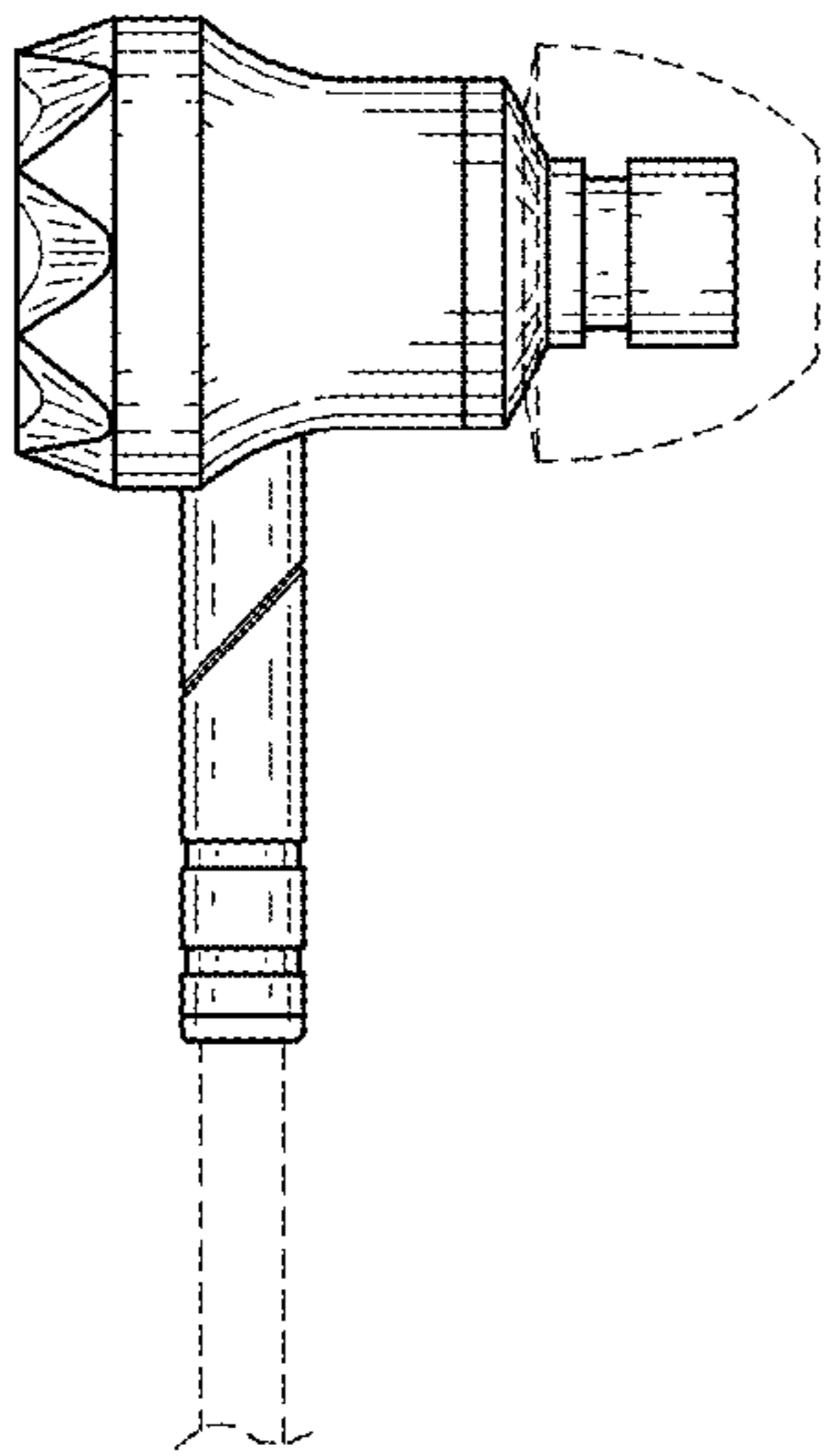


Fig. 3

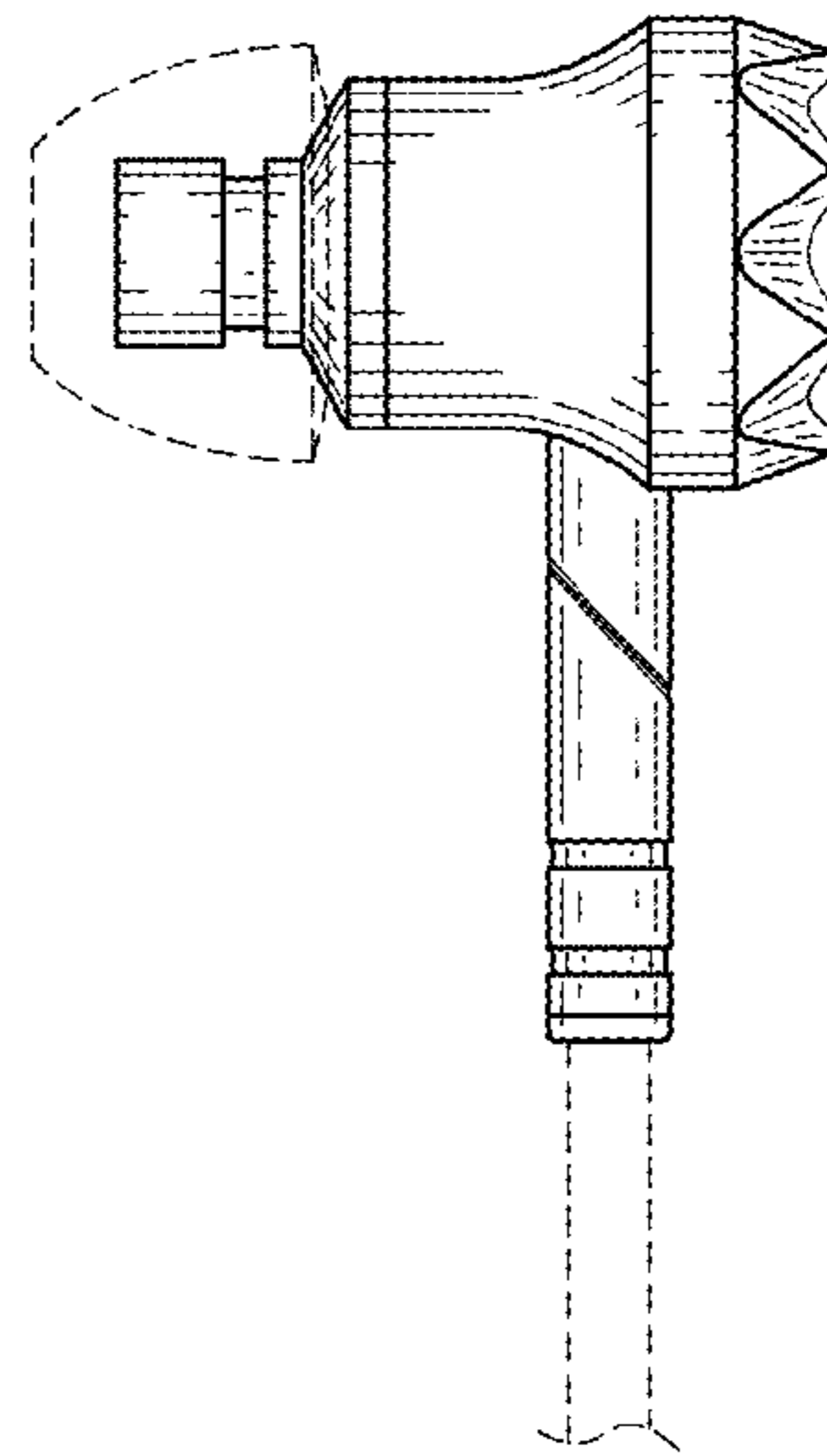


Fig. 4

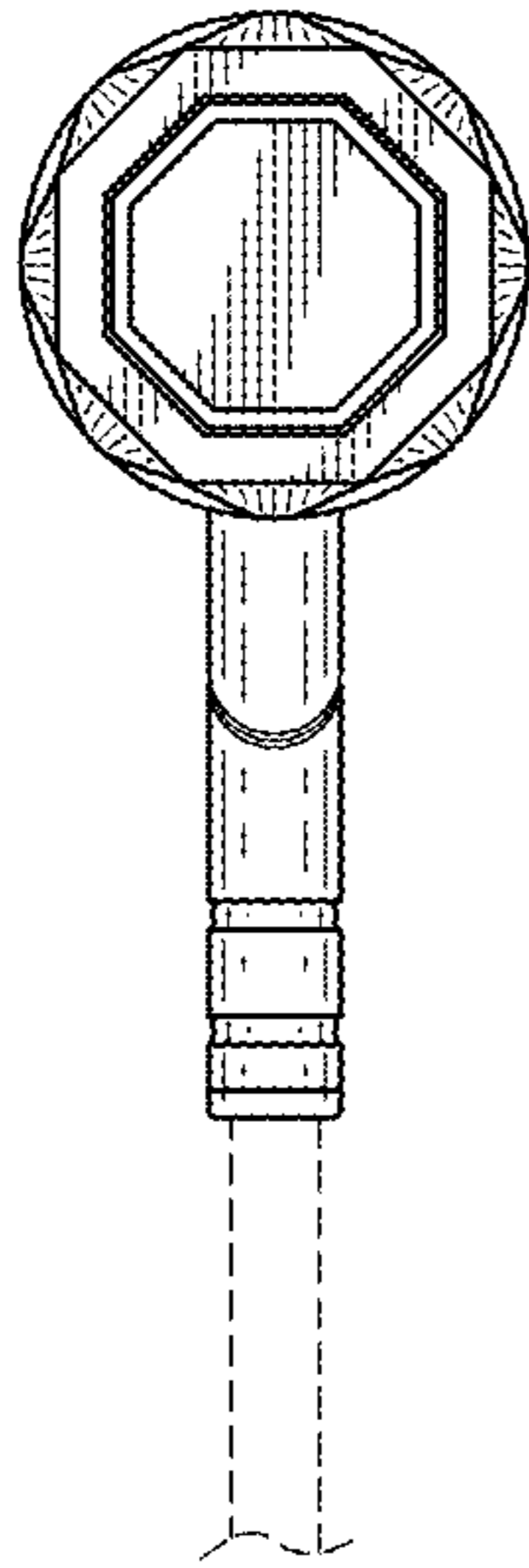


Fig. 5

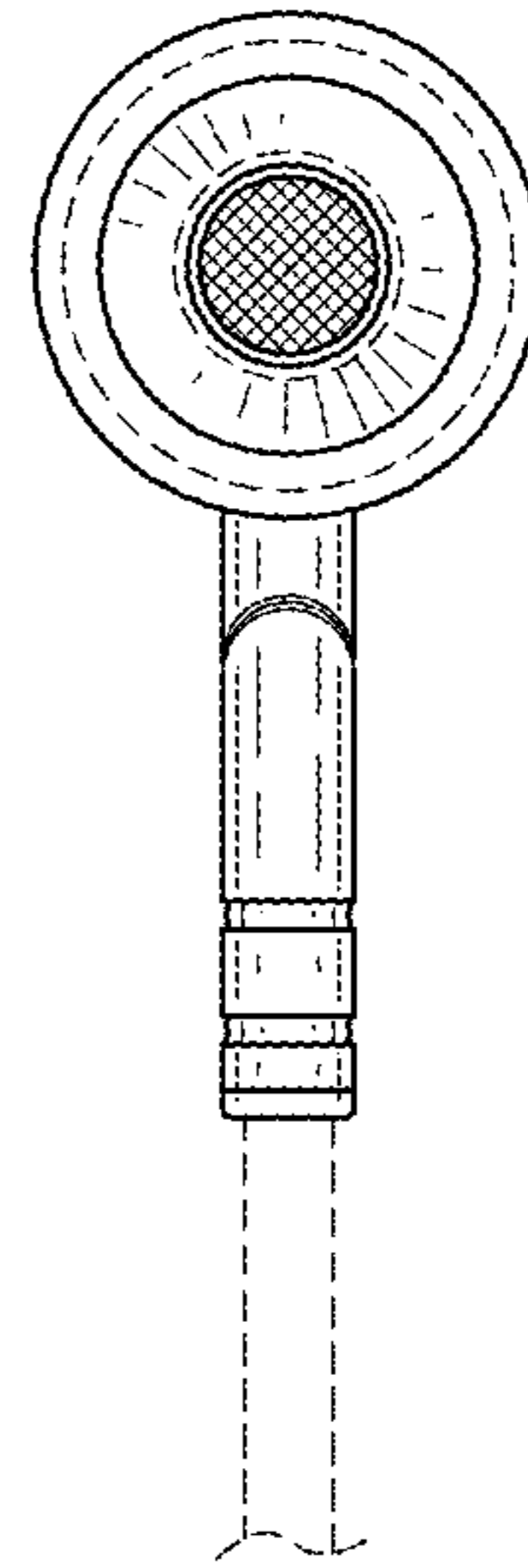


Fig. 6

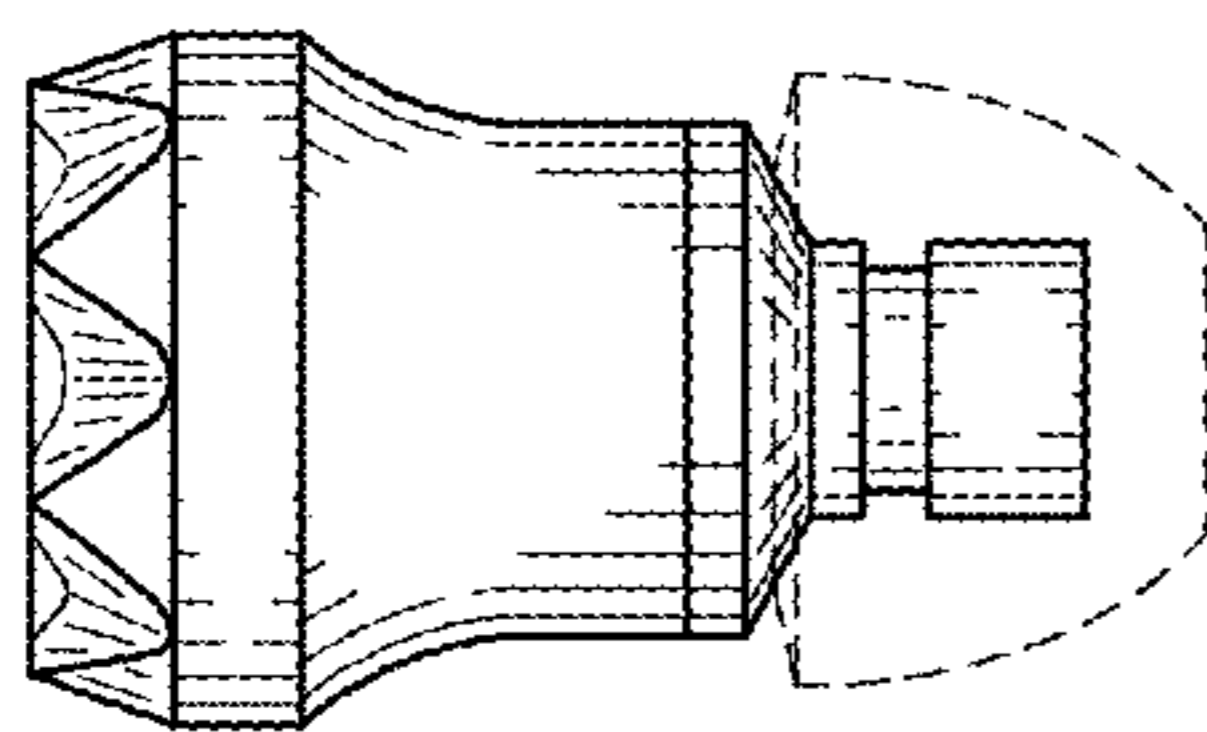


Fig. 7

