



US00D690682S

(12) **United States Design Patent**
Iacovelli et al.

(10) **Patent No.:** **US D690,682 S**

(45) **Date of Patent:** **** Oct. 1, 2013**

(54) **HEADPHONES**

(71) Applicant: **Falcon Capitol Holdings & Investments, Inc.**, Miami, FL (US)

(72) Inventors: **Marc Iacovelli**, Miami, FL (US); **Eddie Garrastacho**, Miami, FL (US)

(73) Assignee: **A Audio Headphones, Inc.**, Miami, FL (US)

(**) Term: **14 Years**

(21) Appl. No.: **29/432,803**

(22) Filed: **Sep. 20, 2012**

(51) **LOC (9) Cl.** **14-01**

(52) **U.S. Cl.**
USPC **D14/205**

(58) **Field of Classification Search**
USPC D14/205, 215, 216, 219; 181/129, 181/130, 135; 379/430, 431; 381/370, 380, 381/381; D29/112; 2/209; 455/90.3, 575.1
See application file for complete search history.

(56) **References Cited**

U.S. PATENT DOCUMENTS

D204,886 S *	5/1966	Kliewer	D14/205
D229,833 S *	1/1974	Becker	D14/205
D246,519 S *	11/1977	Kato	D14/205
D255,352 S *	6/1980	Besasie	D14/205
D292,205 S *	10/1987	Kikutani	D14/205
D328,461 S *	8/1992	Daido et al.	D14/205
D333,137 S *	2/1993	Burke	D14/206
D351,172 S *	10/1994	Nakamura et al.	D14/205
D430,140 S *	8/2000	Roman	D14/205
D442,340 S *	5/2001	Leight et al.	D29/112

D473,539 S *	4/2003	O'Leary	D14/205
D491,163 S *	6/2004	Green	D14/205
D556,187 S *	11/2007	Feng	D14/205
D563,382 S *	3/2008	Wikel	D14/205
D576,604 S *	9/2008	Suzuki	D14/205
D585,879 S *	2/2009	Schulman	D14/223
D589,492 S *	3/2009	Mistry	D14/205
D657,344 S *	4/2012	Brunner et al.	D14/205
D660,824 S *	5/2012	Hardi et al.	D14/205
D669,451 S *	10/2012	Tappeiner et al.	D14/205
D672,744 S *	12/2012	Scarpa	D14/205
D677,242 S *	3/2013	Lee et al.	D14/205
D677,647 S *	3/2013	Lee et al.	D14/205
D678,241 S *	3/2013	Lee et al.	D14/205

* cited by examiner

Primary Examiner — Paula Greene

(74) *Attorney, Agent, or Firm* — Berenato & White, LLC

(57) **CLAIM**

The ornamental design for headphones, as shown and described.

DESCRIPTION

FIG. 1 is a perspective view of the headphones according to the present invention.

FIG. 2 is a front view of the headphones of FIG. 1.

FIG. 3 is a rear view of the headphones of FIG. 1.

FIG. 4 is a left side view of the headphones of FIG. 1.

FIG. 5 is a right side view of the headphones of FIG. 1.

FIG. 6 is a top view of the headphones of FIG. 1.

FIG. 7 is a bottom view of the headphones of FIG. 1; and,

FIG. 8 is a perspective view of the headphones according to the present invention in an extended position.

The broken lines showing of the figures are for illustrative purposes only and form no part of the claimed design.

1 Claim, 6 Drawing Sheets

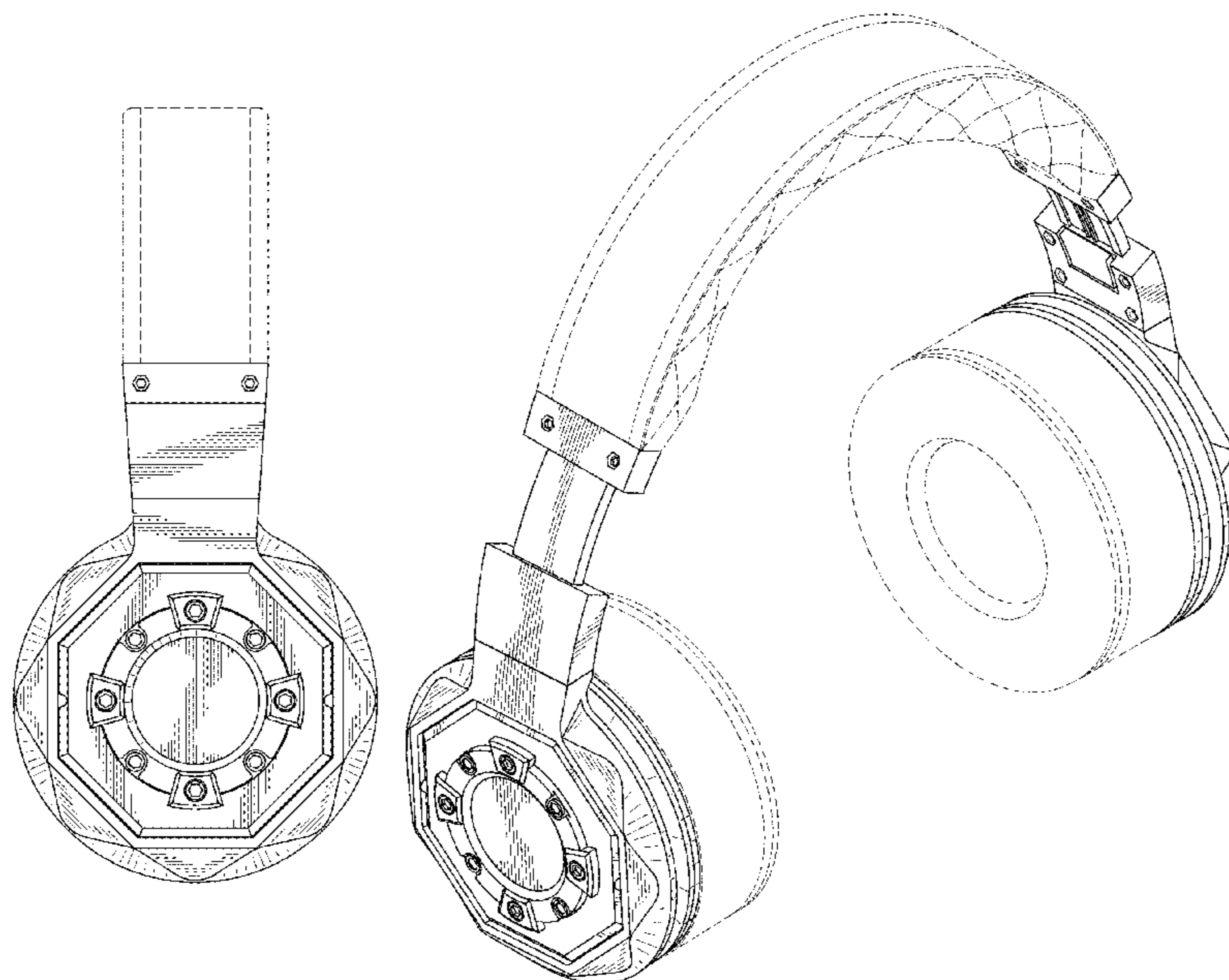


Fig. 1

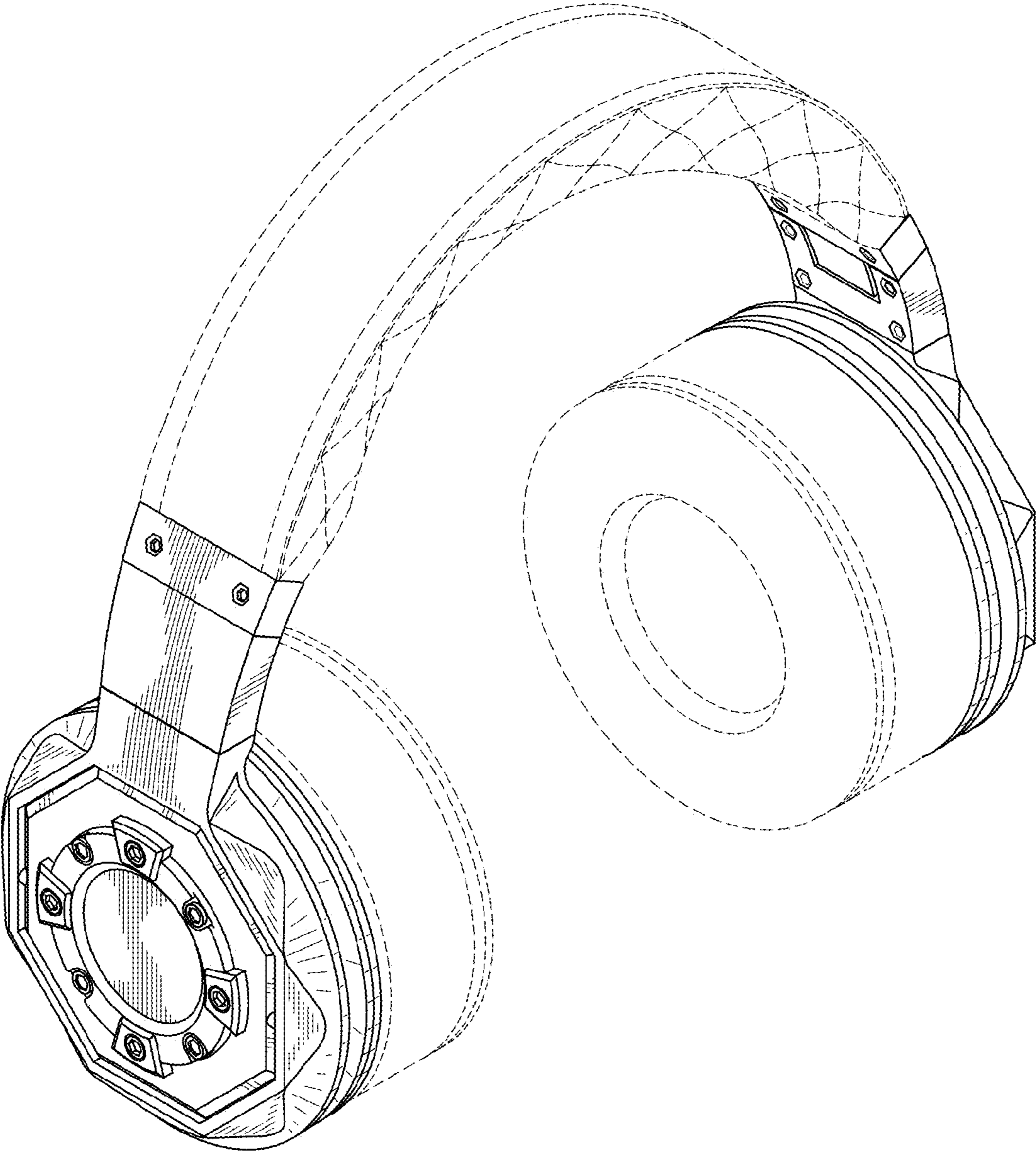


Fig. 2

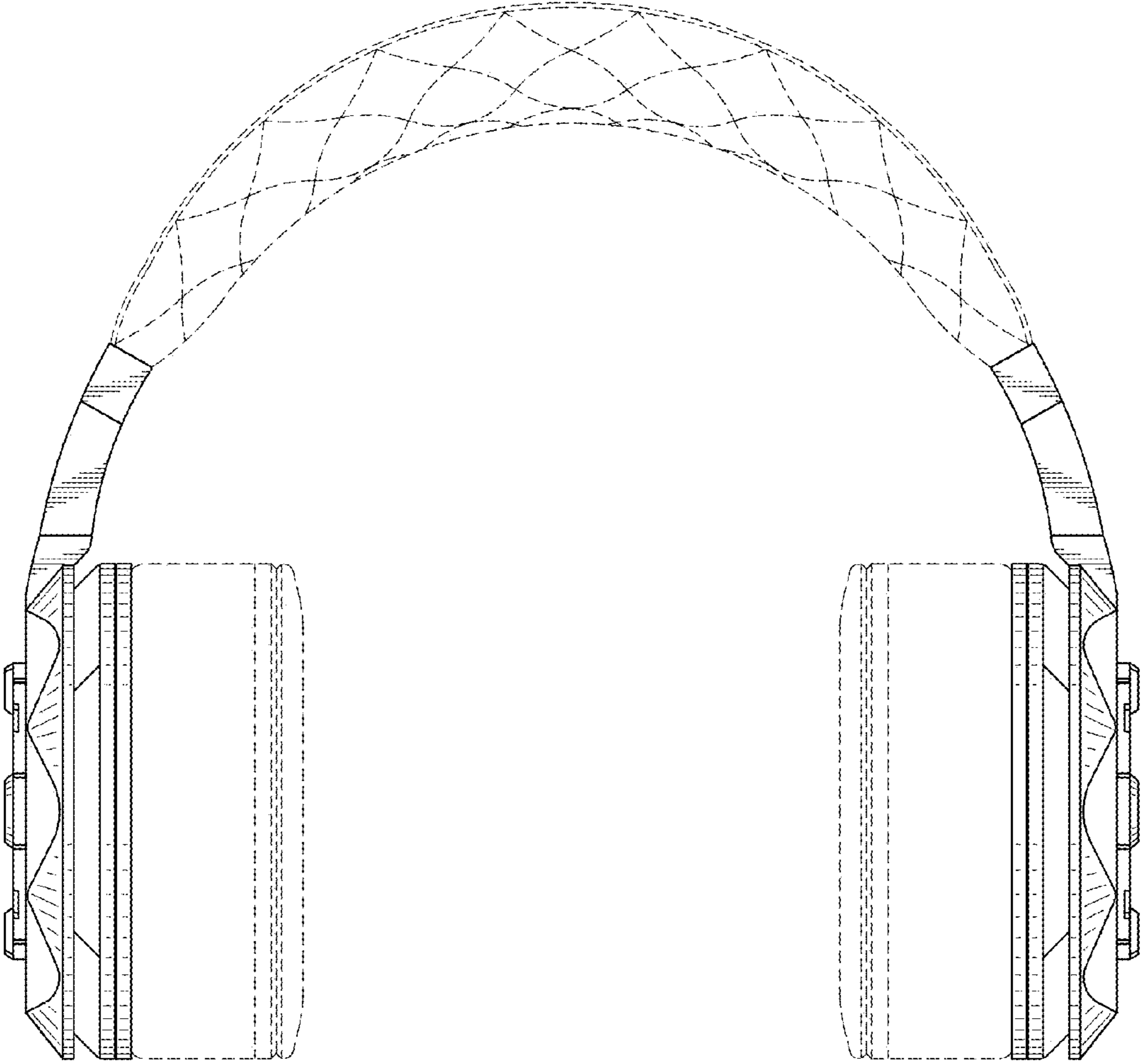


Fig. 3

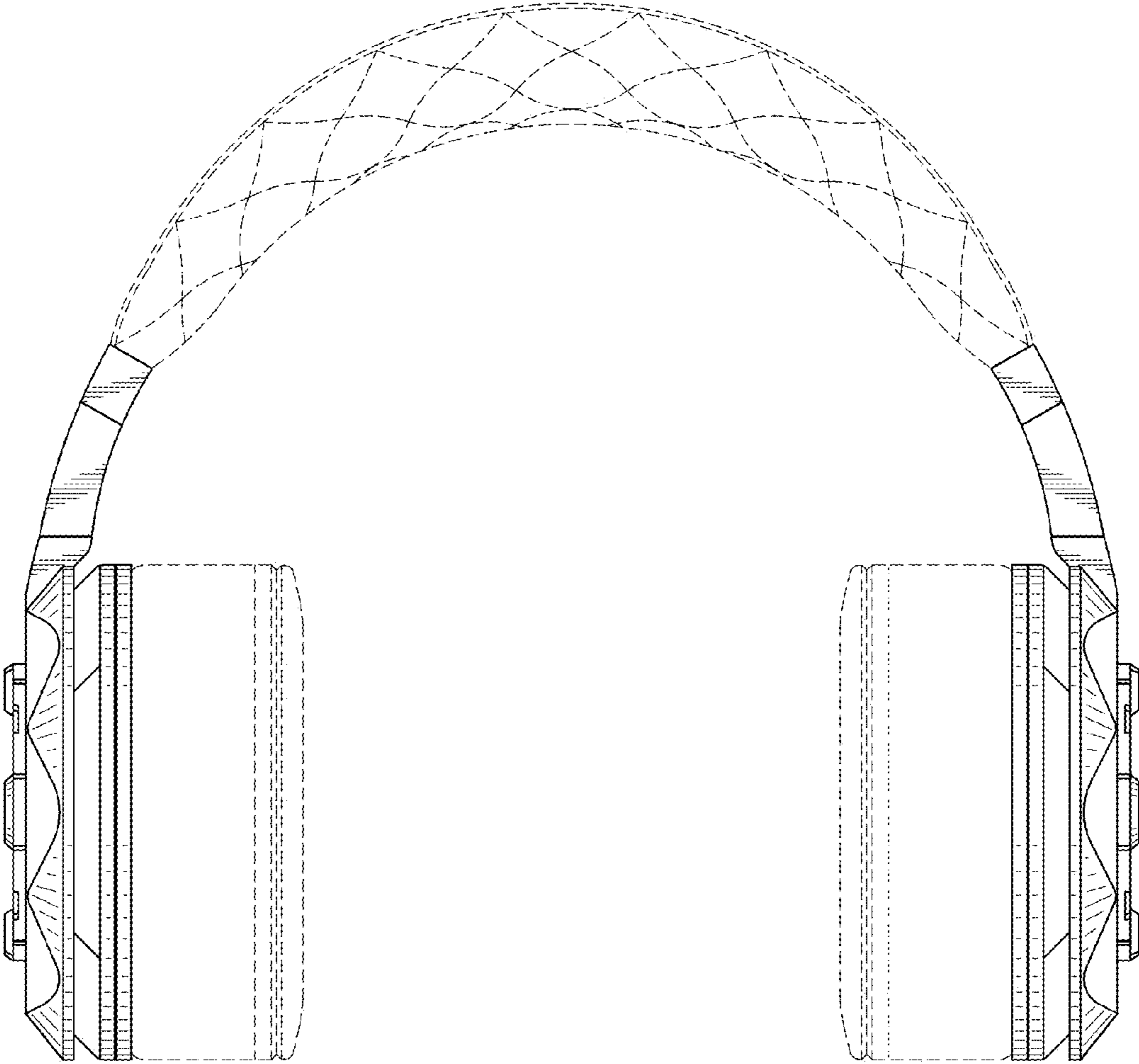


Fig. 4

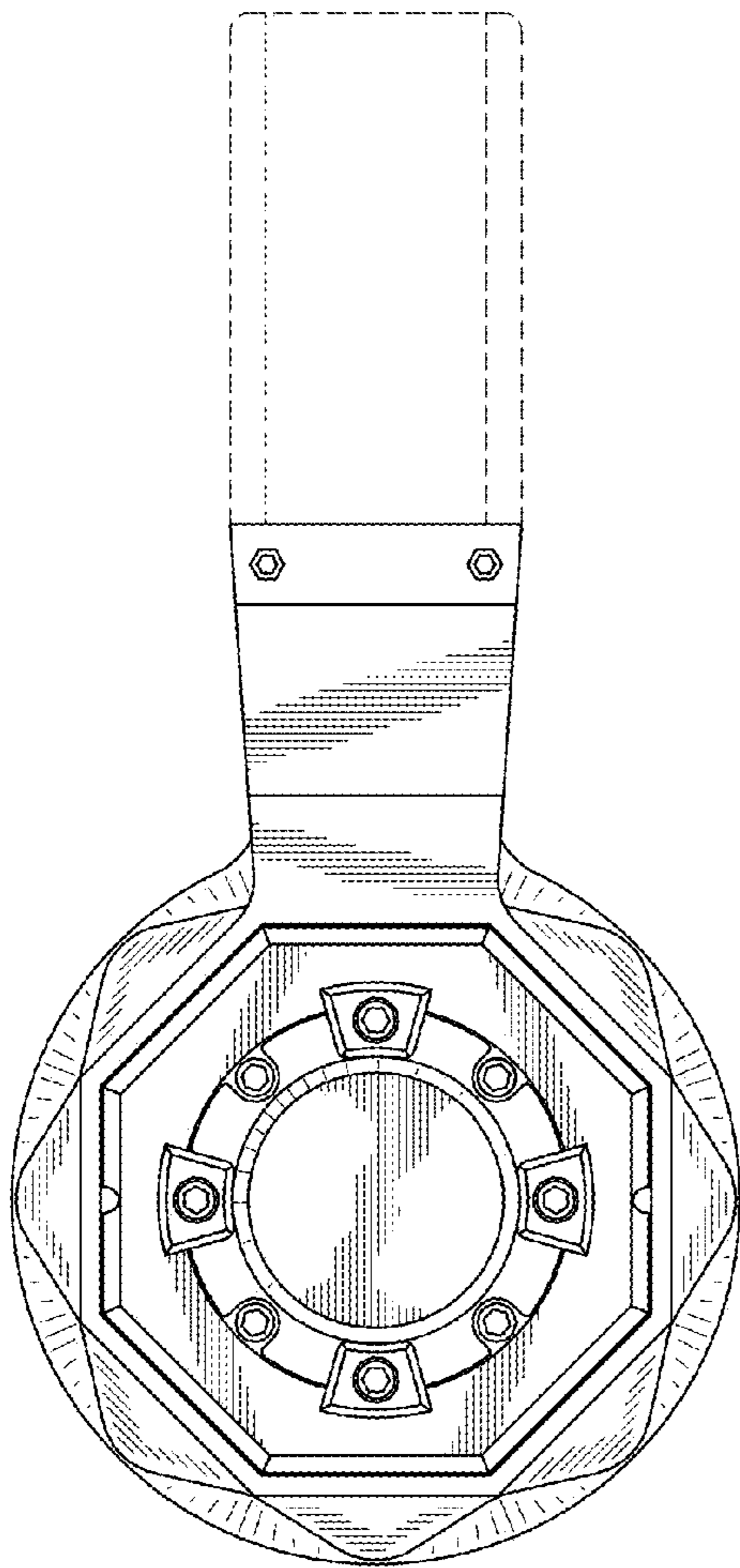


Fig. 5

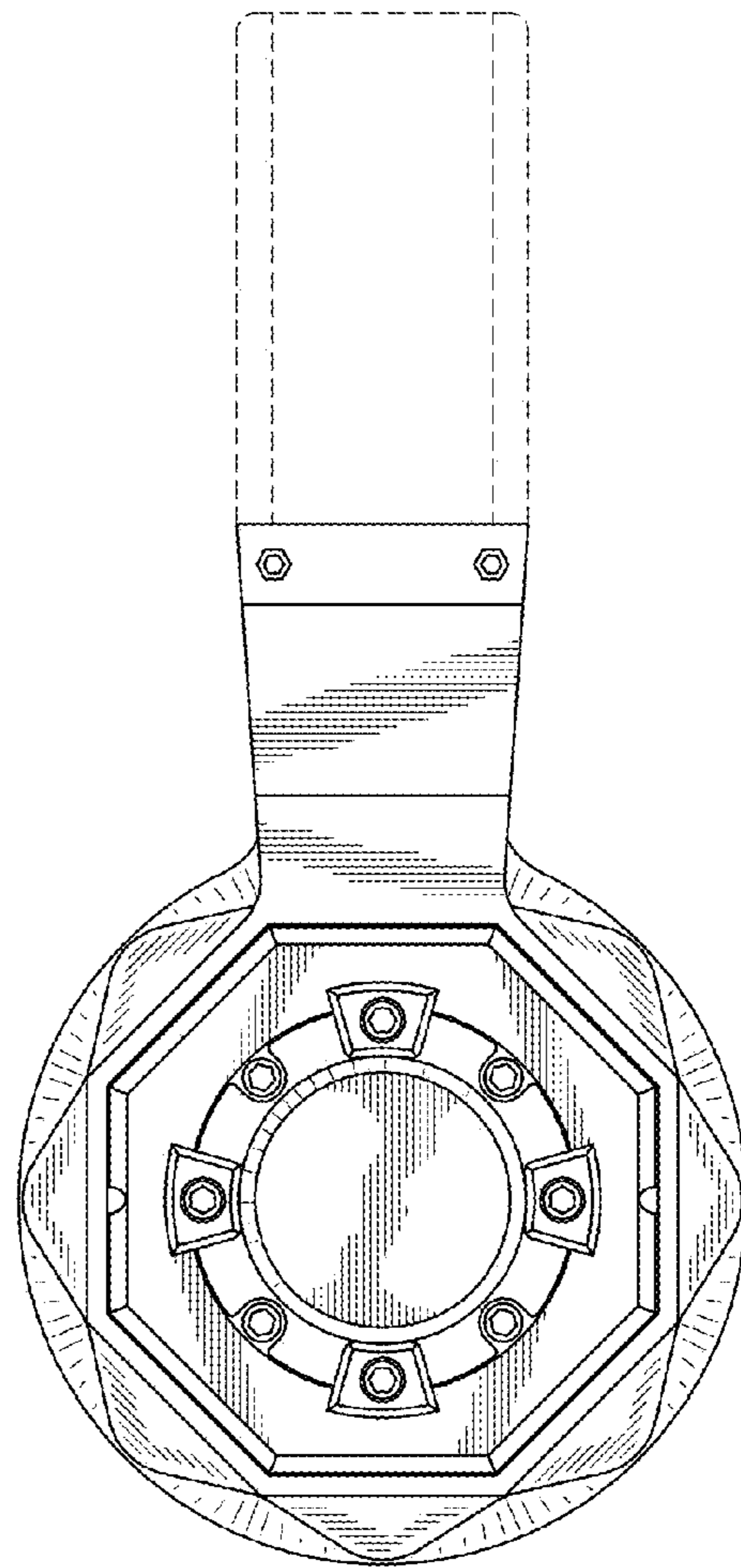


Fig. 6



Fig. 7

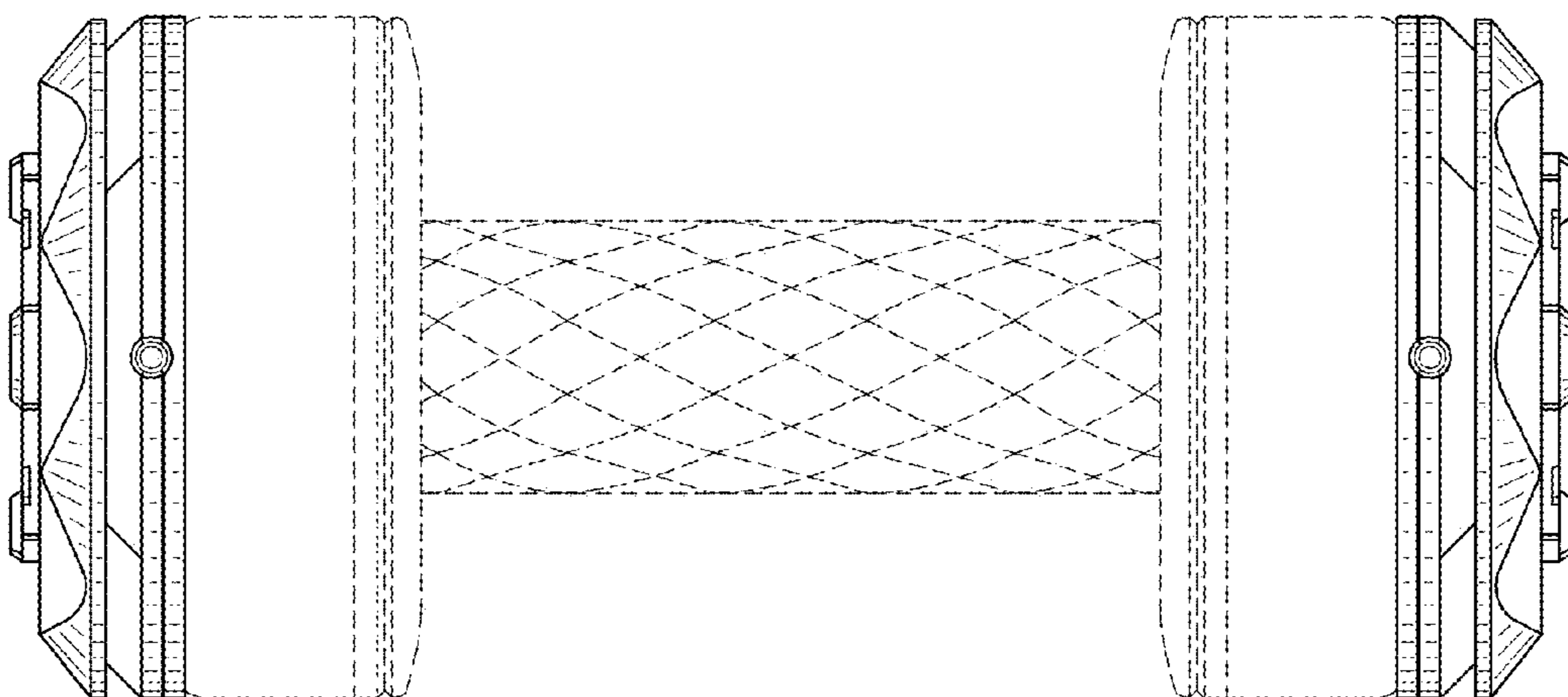


Fig. 8

