



US00D690680S

(12) **United States Design Patent**
McManigal

(10) **Patent No.:** **US D690,680 S**

(45) **Date of Patent:** **** *Oct. 1, 2013**

(54) **WIRELESS HEADPHONES**

(75) Inventor: **Scott Paul McManigal**, Newport Beach, CA (US)

(73) Assignee: **Vizio, Inc**, Irvine, CA (US)

(*) Notice: This patent is subject to a terminal disclaimer.

(**) Term: **14 Years**

(21) Appl. No.: **29/364,710**

(22) Filed: **Jun. 28, 2010**

(51) **LOC (9) Cl.** **14-01**

(52) **U.S. Cl.**
USPC **D14/205**

(58) **Field of Classification Search**
USPC D14/205, 206, 223; 181/129, 130, 181/135; 379/430, 431, 433.01, 433.02, 379/433.03; 381/380, 381; 455/90.3, 569.1, 455/575.2; D29/112; 2/209
See application file for complete search history.

(56) **References Cited**

U.S. PATENT DOCUMENTS

4,173,715	A *	11/1979	Gosman	381/382
D263,043	S *	2/1982	Petrie	D14/205
D266,417	S *	10/1982	Perez	D14/165
4,821,318	A *	4/1989	Wu	379/430
D315,561	S *	3/1991	Miller	D14/192
5,003,589	A *	3/1991	Chen	379/433.11
5,113,428	A *	5/1992	Fitzgerald	455/575.2

D346,380	S *	4/1994	Fitzgerald	D14/138 R
D348,466	S *	7/1994	Yamatogi	D14/205
D386,181	S *	11/1997	Fisher	D14/205
D394,436	S *	5/1998	Hall et al.	D14/206
D409,197	S *	5/1999	Nakamura	D14/205
D449,290	S *	10/2001	Taylor et al.	D14/206
D456,379	S *	4/2002	Fitzgerald	D14/142
D541,257	S *	4/2007	Thursfield	D14/205
D603,371	S *	11/2009	Boateng et al.	D14/205
D604,269	S *	11/2009	Choe	D14/205
D617,769	S *	6/2010	Birger	D14/205

* cited by examiner

Primary Examiner — Paula Greene

(74) *Attorney, Agent, or Firm* — Law Office of Scott C Harris, Inc

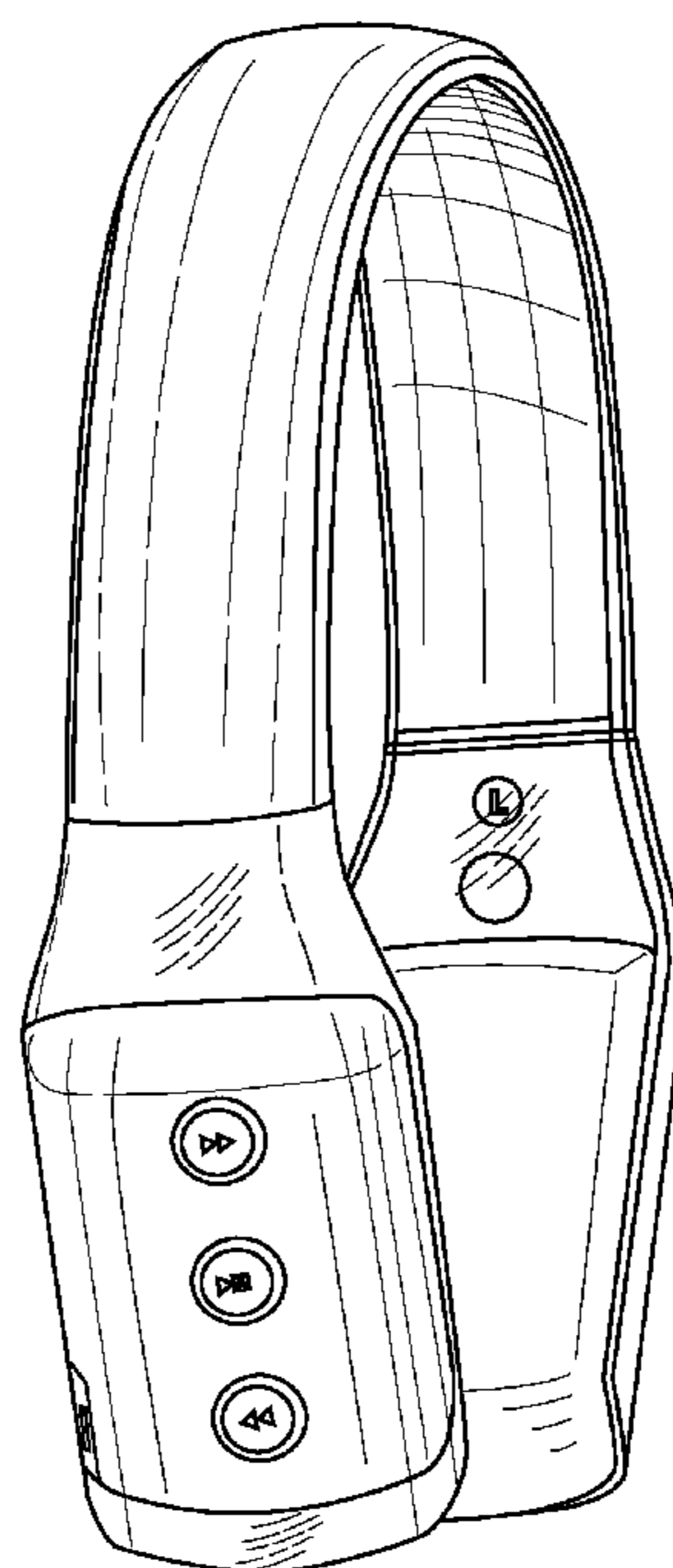
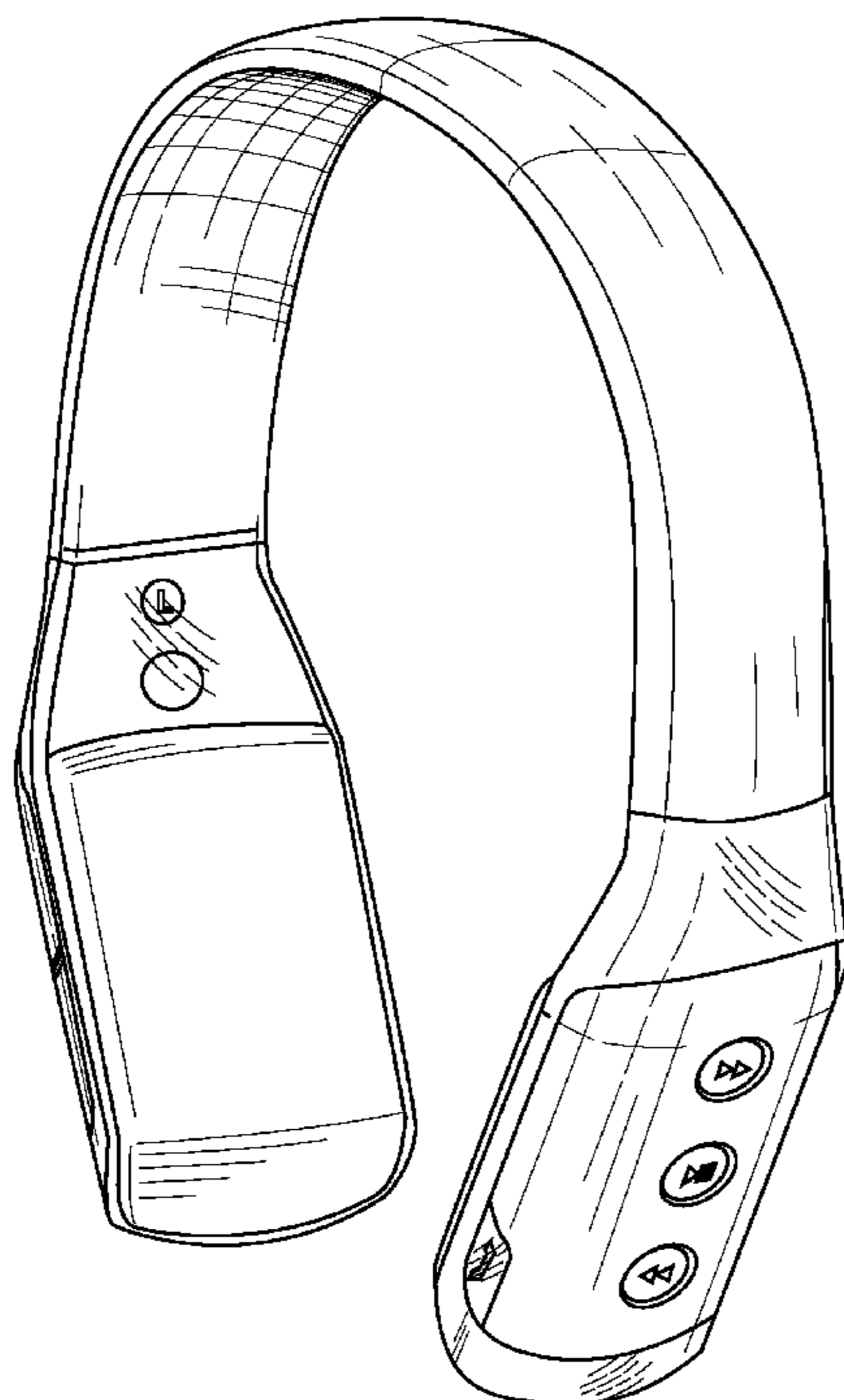
(57) **CLAIM**

I claim the ornamental design for a wireless headphones, as shown and described.

DESCRIPTION

FIG. 1 is a front perspective view of wireless headphones showing my new design;
FIG. 2 is a front view thereof;
FIG. 3 is a rear view thereof;
FIG. 4 is a left perspective view thereof;
FIG. 5 is a left side view thereof;
FIG. 6 is a right perspective view thereof;
FIG. 7 is a right side view thereof;
FIG. 8 is a top perspective view thereof;
FIG. 9 is a top view thereof;
FIG. 10 is a bottom perspective view thereof; and,
FIG. 11 is a bottom view thereof.

1 Claim, 11 Drawing Sheets



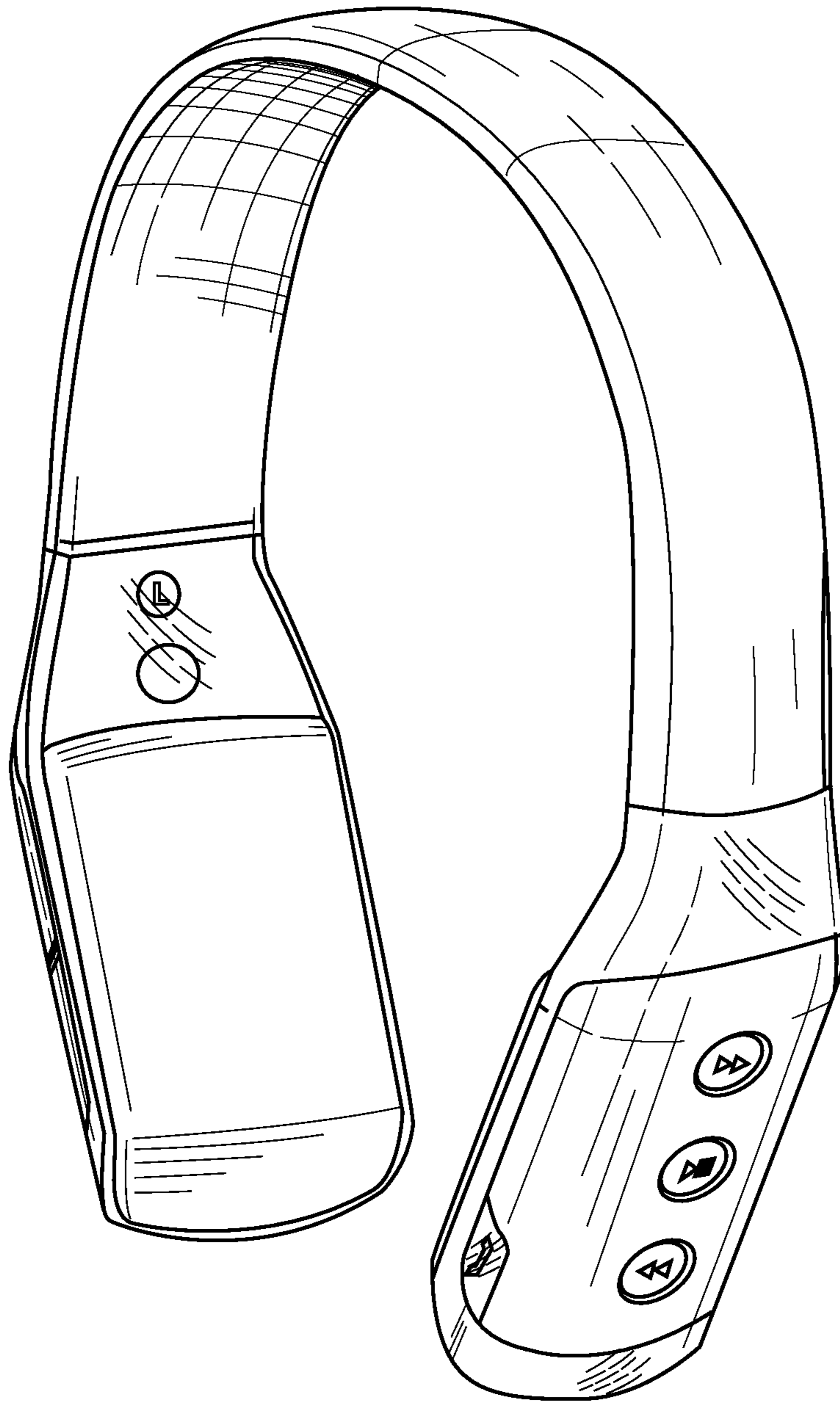


FIG.1



FIG.2



FIG. 3

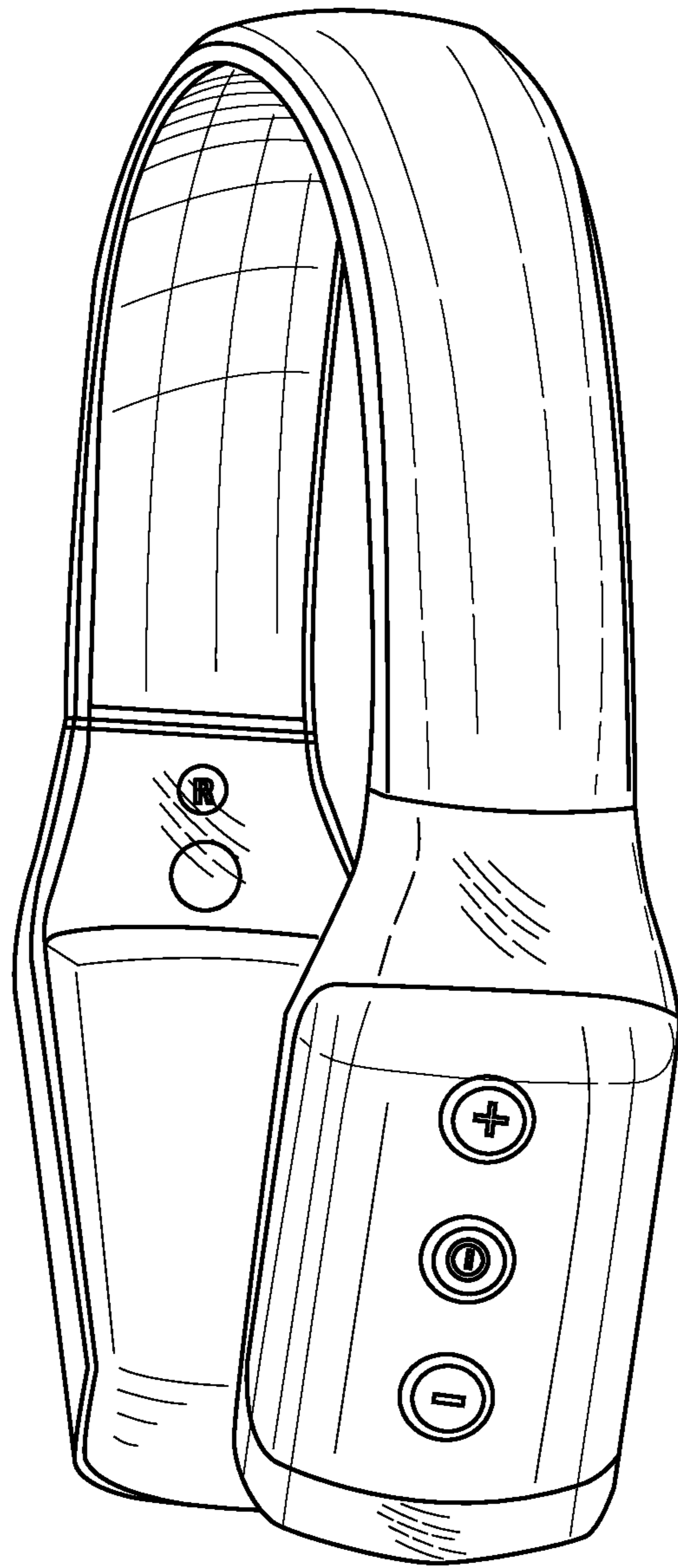


FIG.4

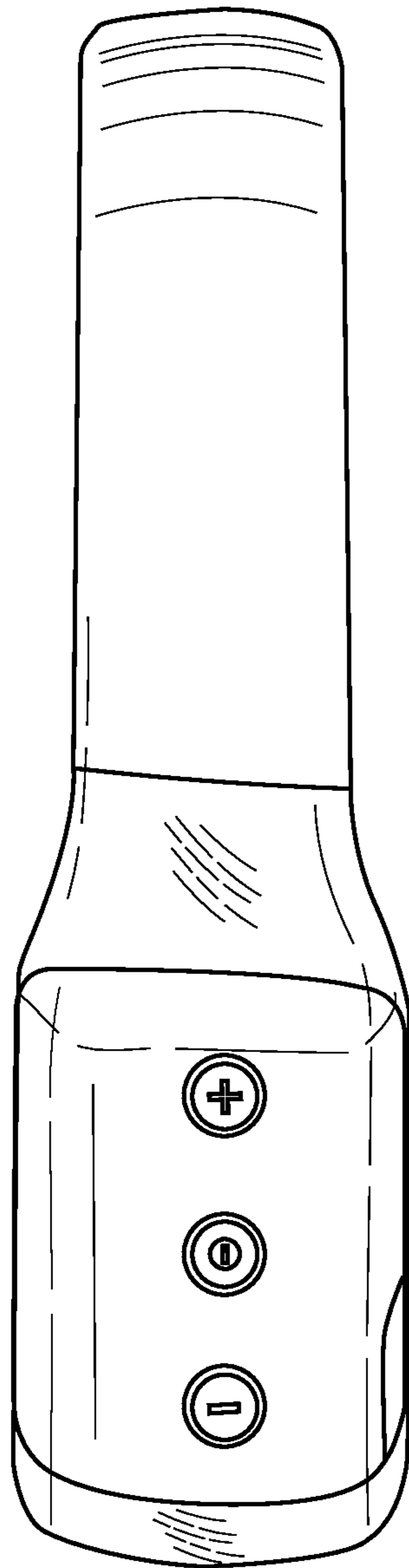


FIG.5

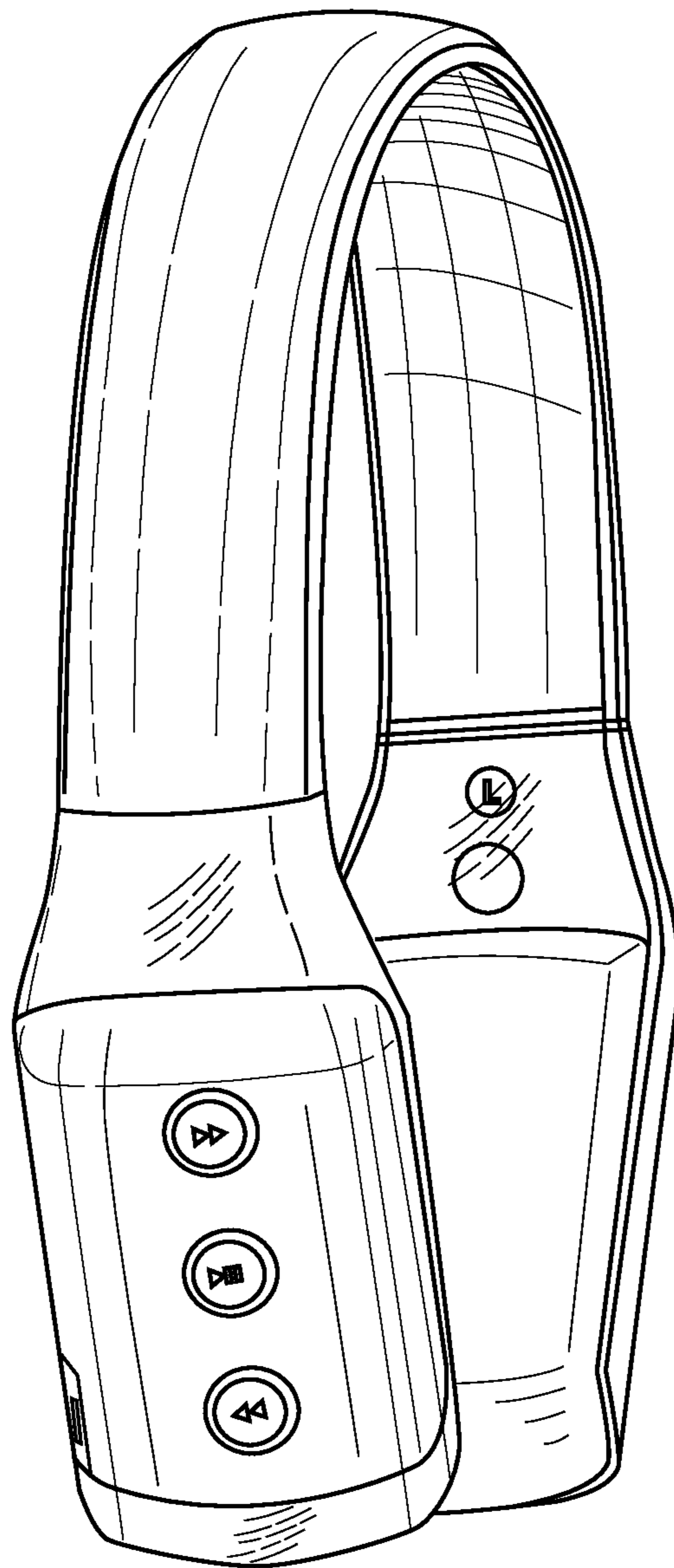


FIG.6

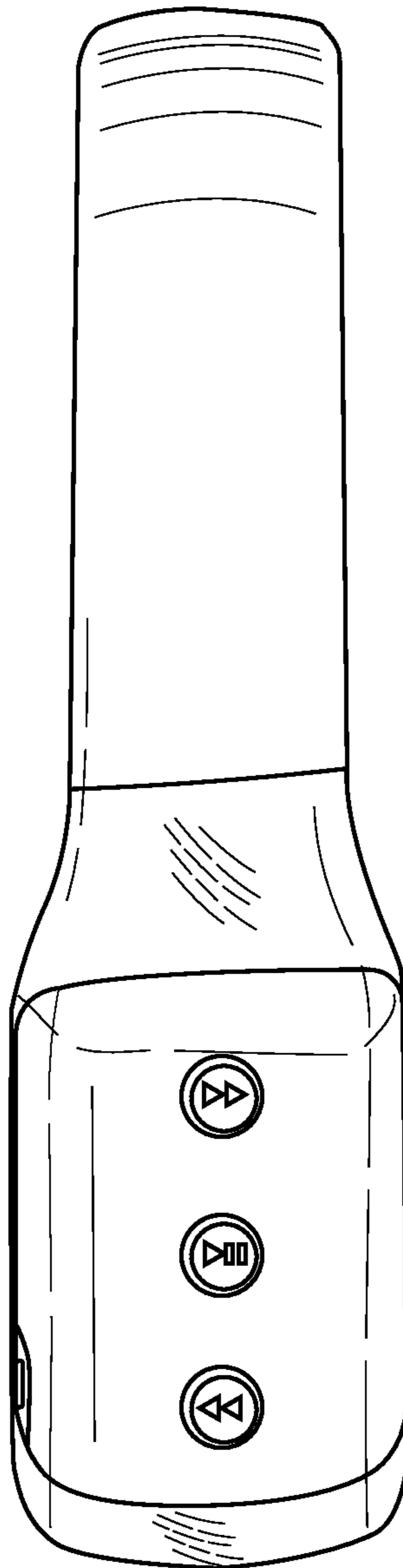


FIG.7

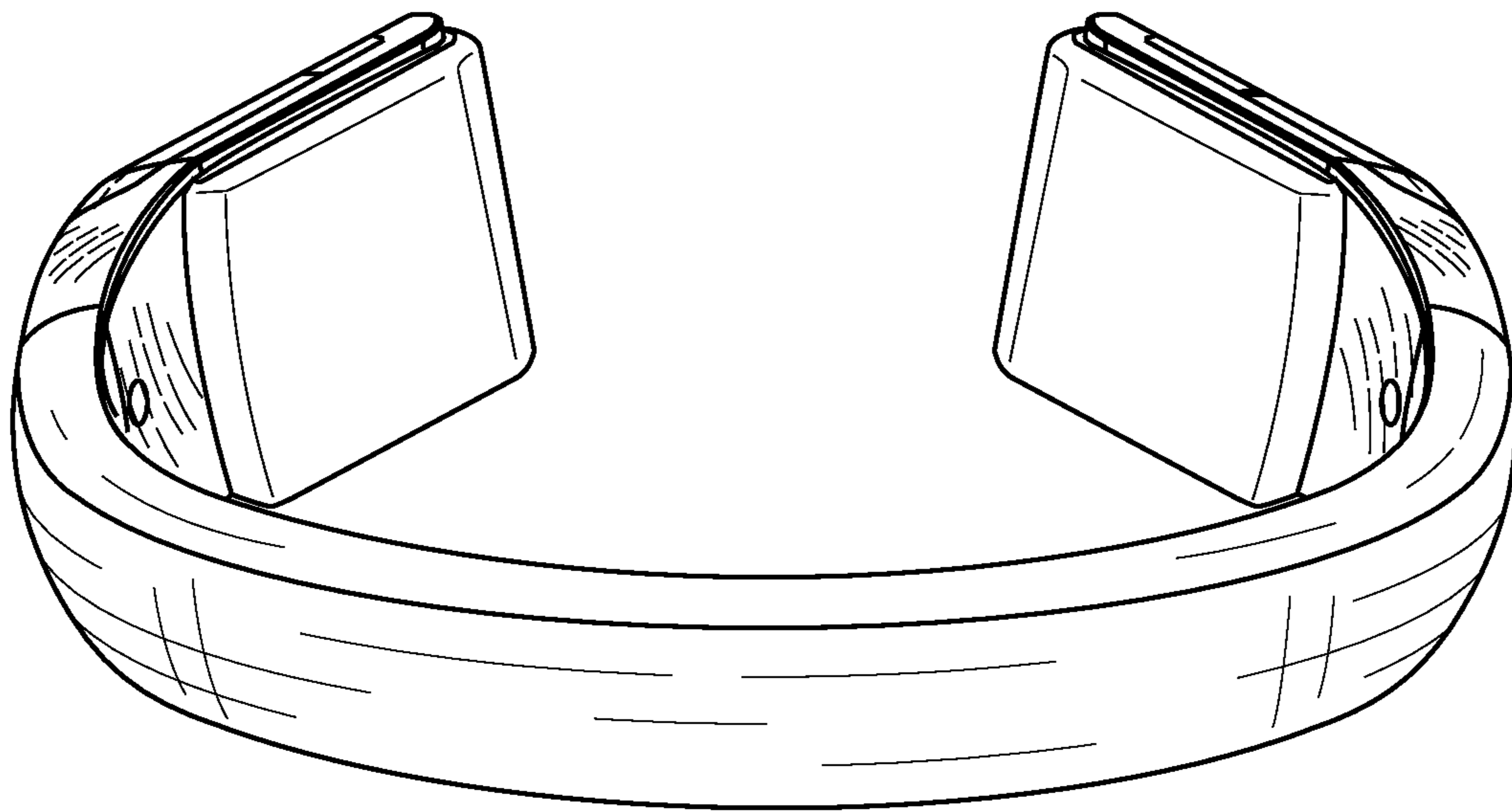


FIG.8

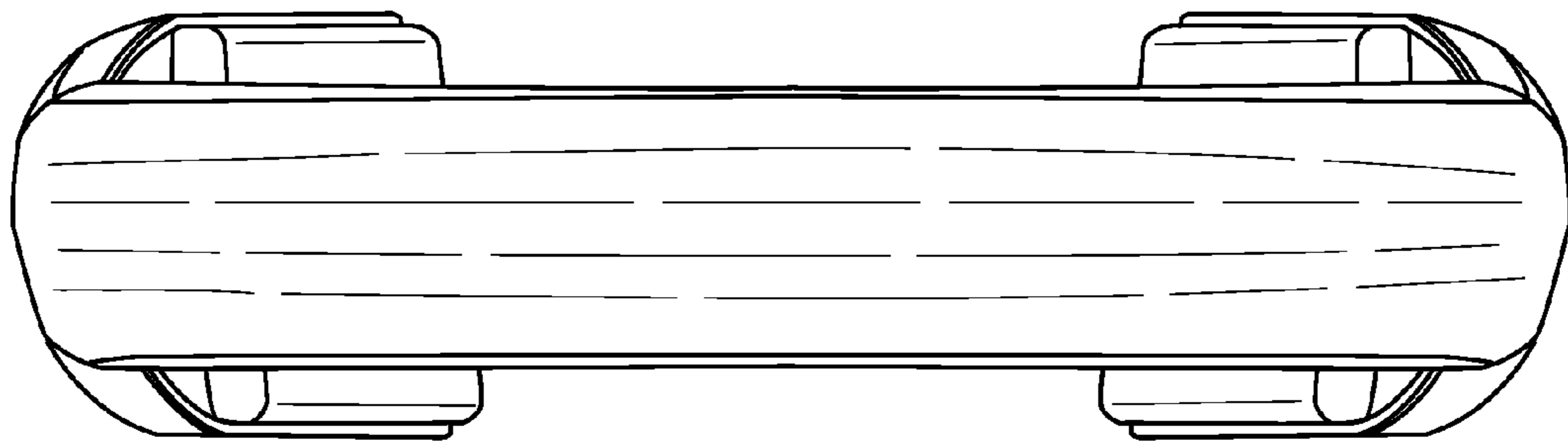


FIG.9

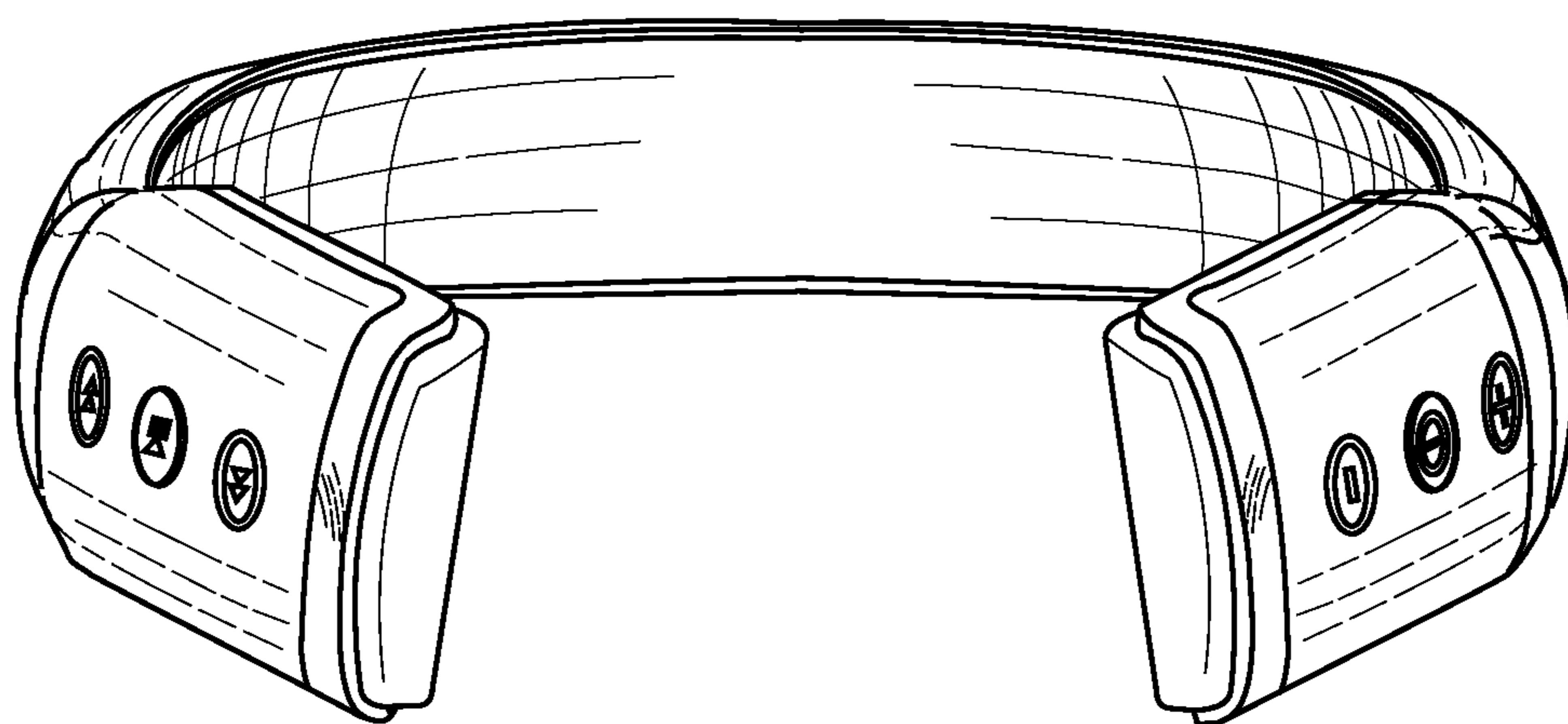


FIG.10

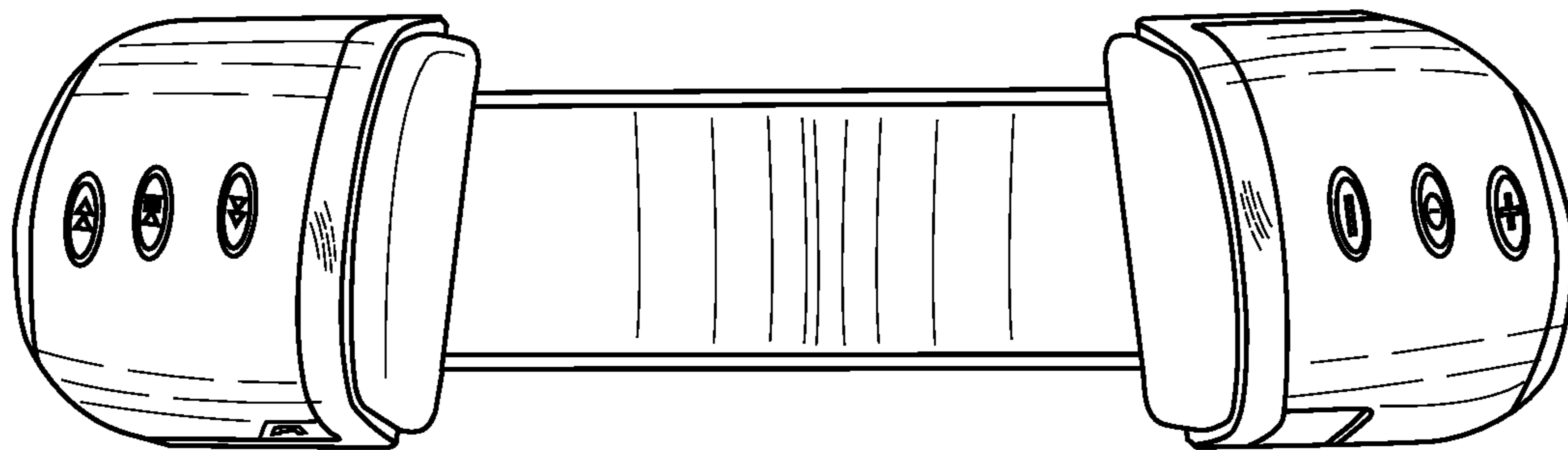


FIG.11