

US00D690669S

(12) **United States Design Patent**
Chang et al.

(10) **Patent No.:** **US D690,669 S**

(45) **Date of Patent:** **** Oct. 1, 2013**

(54) **LED PACKAGE**

(75) Inventors: **Ming-Chuan Chang**, New Taipei (TW);
Han-Yi Lu, Taipei (TW); **Chung-Hsien Yu**, New Taipei (TW)

(73) Assignees: **Lite-On Opto Technology (Changzhou) Co., Ltd.**, Changzhou, Jiangsu Province (CN); **Lite-On Technology Corporation**, Taipei (TW)

(**) Term: **14 Years**

(21) Appl. No.: **29/407,279**

(22) Filed: **Nov. 28, 2011**

(51) **LOC (9) Cl.** **13-03**

(52) **U.S. Cl.**
USPC **D13/180**

(58) **Field of Classification Search**
USPC D13/180; D26/1, 2; 257/79, 80,
257/81, 88, 89, 95, 98, 99, 100, E33.058;
313/483, 498, 500; 362/555, 800
See application file for complete search history.

(56) **References Cited**

U.S. PATENT DOCUMENTS

7,242,035 B2 * 7/2007 Kim et al. 257/99
D558,693 S * 1/2008 Shin et al. D13/180
D605,608 S * 12/2009 Lee et al. D13/180

D605,609 S * 12/2009 Lee et al. D13/180
D606,032 S * 12/2009 Lee et al. D13/180
D615,935 S * 5/2010 An et al. D13/180
D622,231 S * 8/2010 Sung D13/180
D637,980 S * 5/2011 Ko et al. D13/180
D648,286 S * 11/2011 Chuang D13/180
D659,655 S * 5/2012 Wang D13/180

* cited by examiner

Primary Examiner — Selina Sikder

(74) *Attorney, Agent, or Firm* — Li&Cai Intellectual Property (USA) Office

(57) **CLAIM**

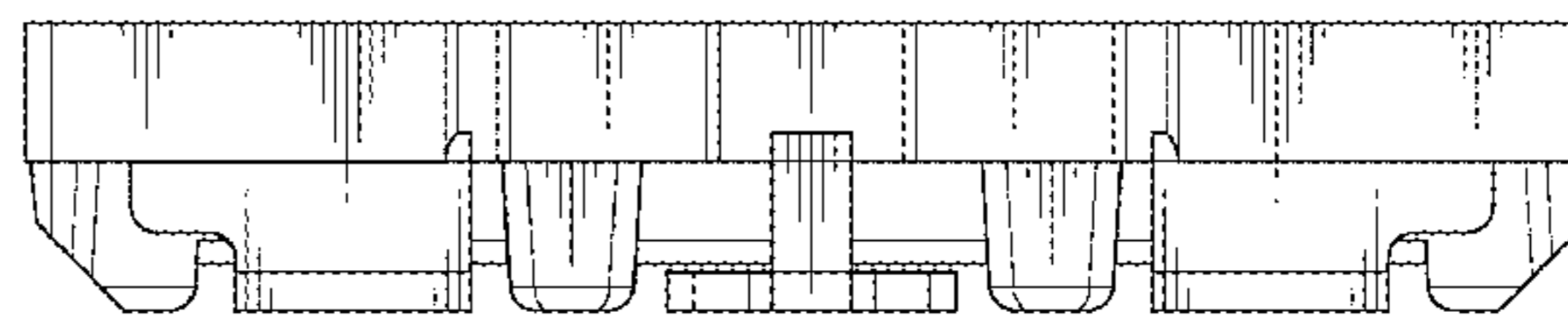
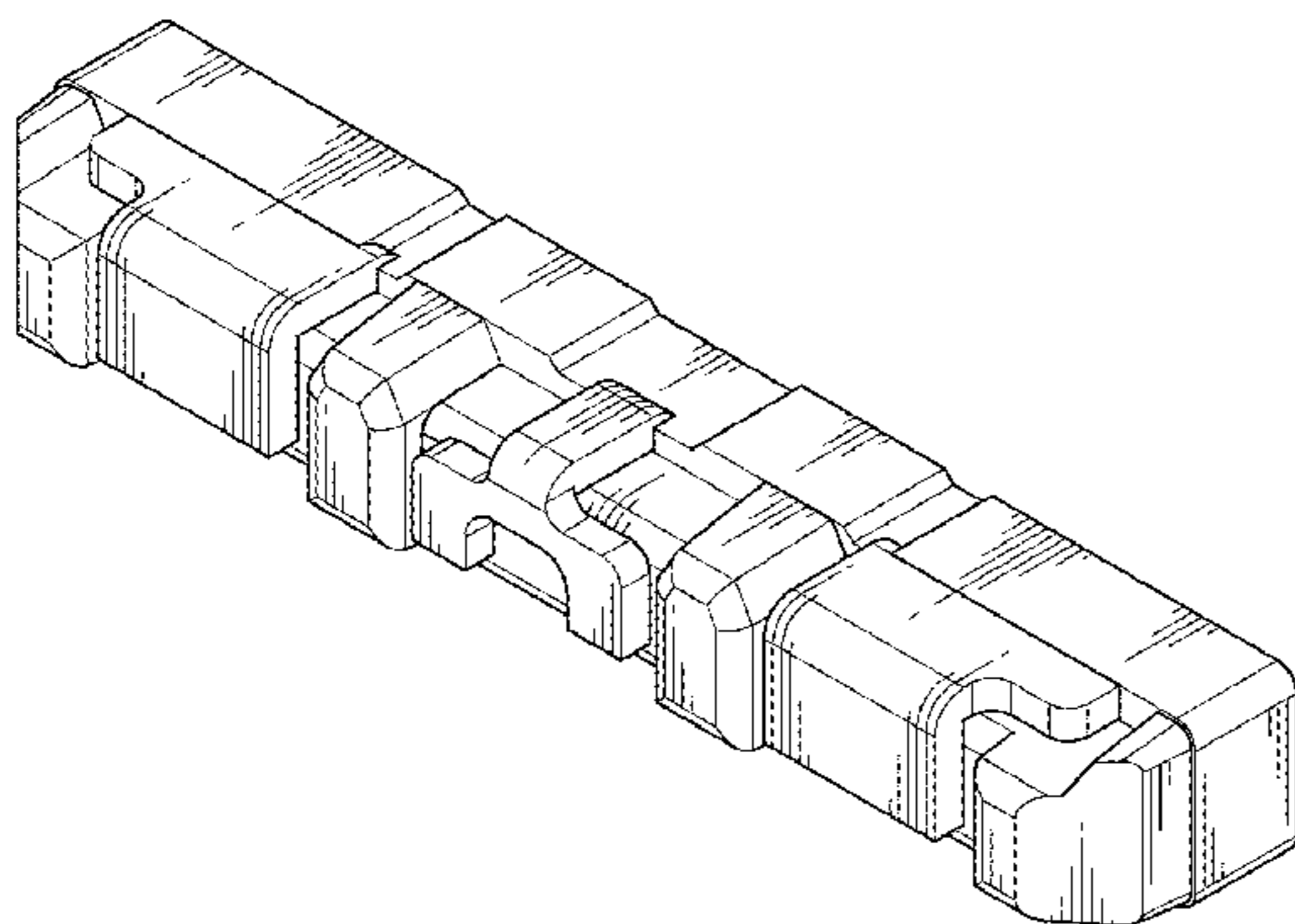
The ornamental design for a “LED package,” as shown and described.

DESCRIPTION

FIG. 1 is a perspective view of a “LED package” showing my new design;
FIG. 2 is a front view thereof;
FIG. 3 is a rear view thereof;
FIG. 4 is a left side view thereof;
FIG. 5 is a right side view thereof;
FIG. 6 is a top view thereof; and,
FIG. 7 is a bottom view thereof.

The broken line showing of the LED package is for illustrative purposes only and forms no part of the claimed design.

1 Claim, 4 Drawing Sheets



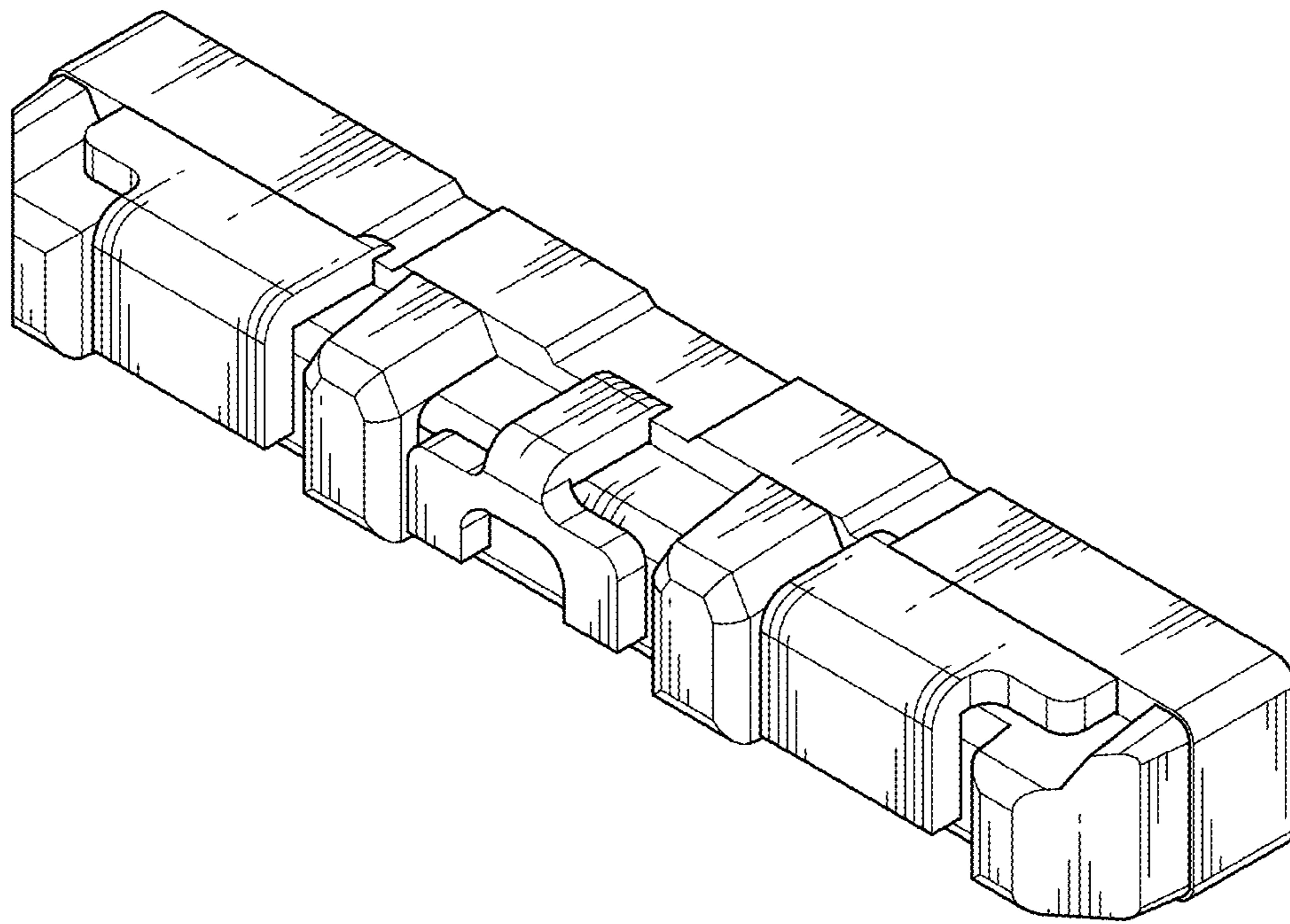


FIG. 1

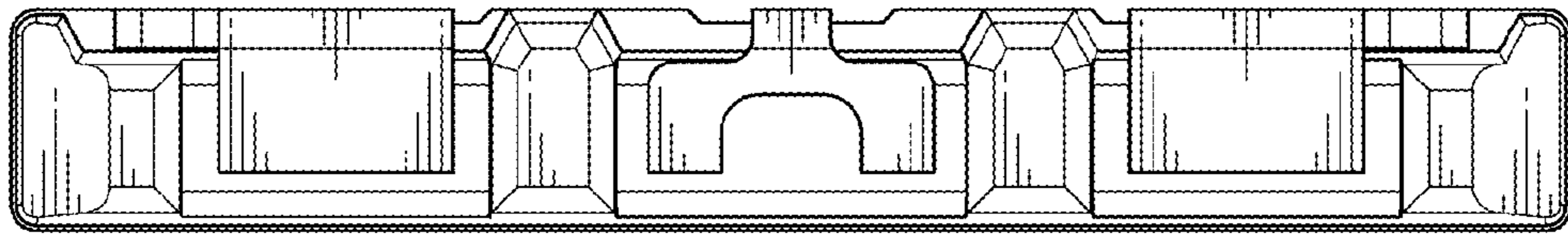


FIG. 2

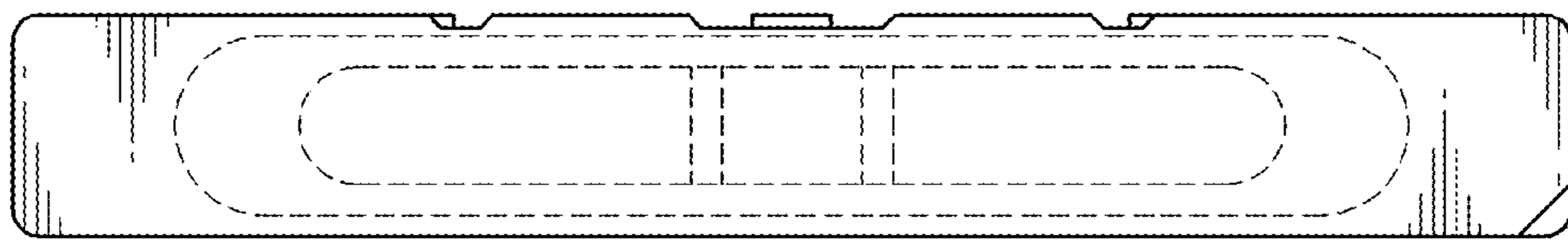


FIG. 3

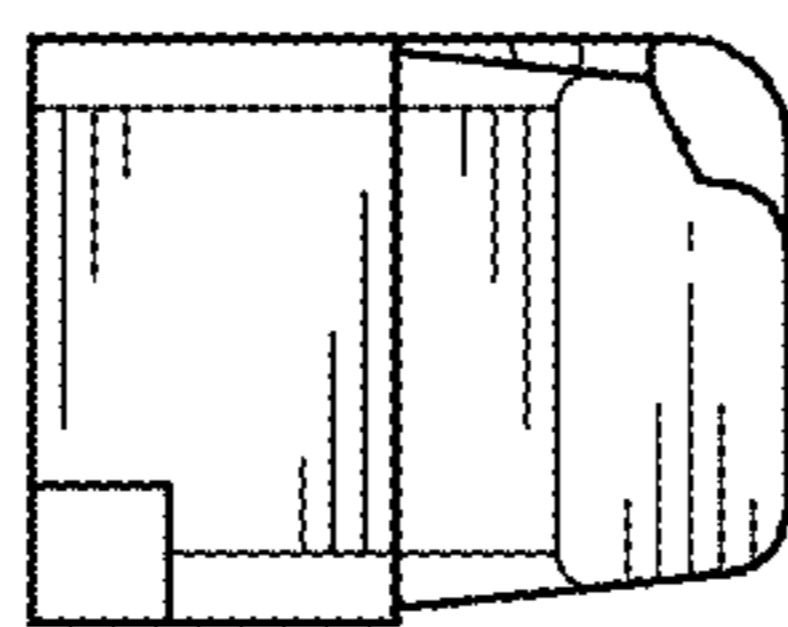


FIG. 4

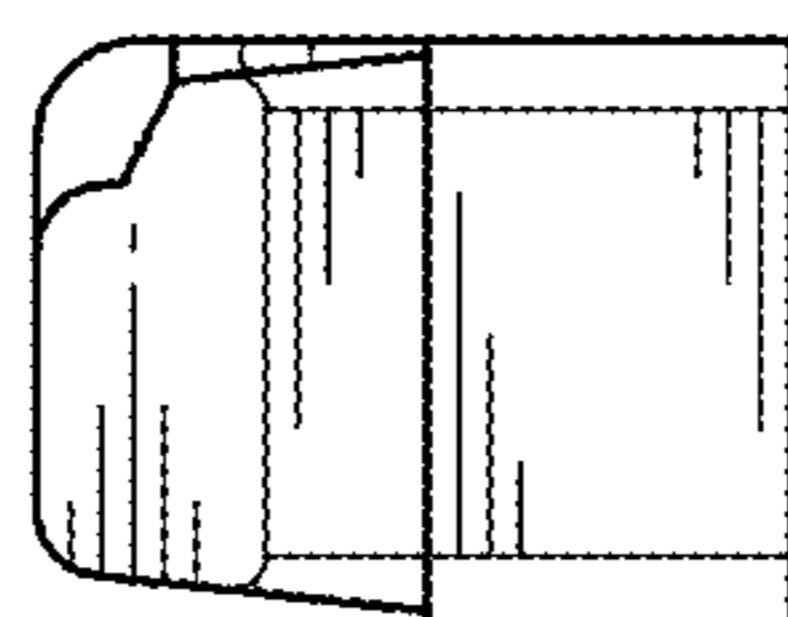


FIG. 5

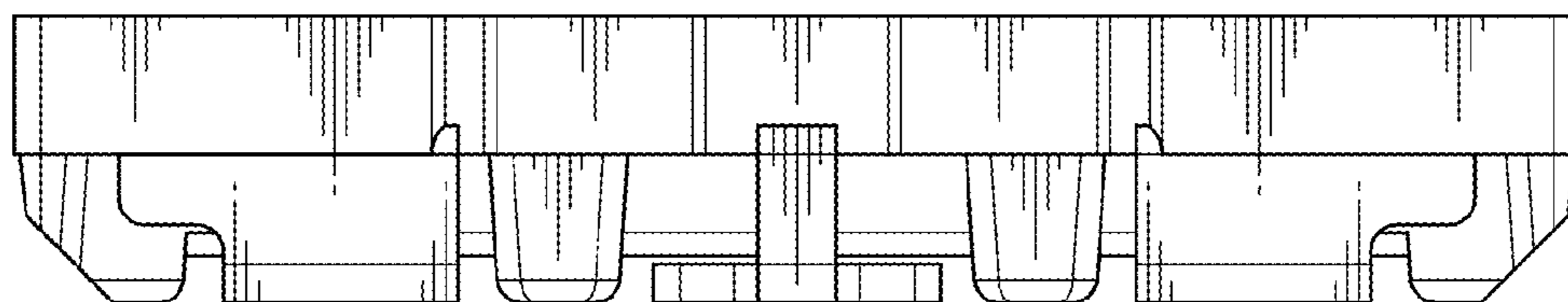


FIG. 6

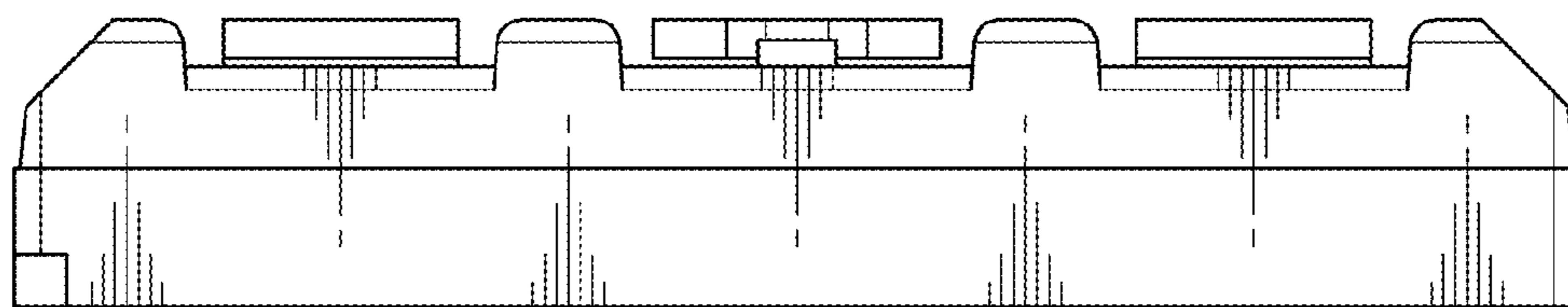


FIG. 7