



US00D690667S

(12) **United States Design Patent**
Pfeiler et al.

(10) **Patent No.:** **US D690,667 S**

(45) **Date of Patent:** **** Oct. 1, 2013**

(54) **EMERGENCY STOP BUTTON**

(75) Inventors: **Alexander Pfeiler**, Vienna (AT);
Michael Matheisl, Vosendorf (AT)

(73) Assignee: **Inventio AG**, Hergiswil NW (CH)

(**) Term: **14 Years**

(21) Appl. No.: **29/415,508**

(22) Filed: **Mar. 12, 2012**

(30) **Foreign Application Priority Data**

Dec. 14, 2011 (CH) 138492

(51) **LOC (9) Cl.** **13-03**

(52) **U.S. Cl.**
USPC **D13/174**

(58) **Field of Classification Search**
USPC D13/171, 174; D10/108; 307/139,
307/157; 315/290 R, 224, 246, 291, 294,
315/295; 200/5 A, 43.13, 43.18, 520, 530,
200/293, 296, 302.2, 314, 329, 341
See application file for complete search history.

(56) **References Cited**

U.S. PATENT DOCUMENTS

2,752,440	A *	6/1956	Robbins	200/43.13
4,733,035	A *	3/1988	Ohashi	200/568
D421,727	S *	3/2000	Pierson et al.	D10/116.1
D442,921	S *	5/2001	Bonn	D13/174
D461,813	S *	8/2002	Chang	D14/432
6,972,387	B2 *	12/2005	Berthaud	200/43.13
D519,942	S *	5/2006	Krozack et al.	D13/174
7,057,127	B1 *	6/2006	Kuan	200/334
D558,692	S *	1/2008	Neveu	D13/174
D559,797	S *	1/2008	Neveu	D13/174

(Continued)

Primary Examiner — Selina Sikder

(74) *Attorney, Agent, or Firm* — Stroock & Stroock & Lavan
LLP

(57) **CLAIM**

The ornamental design for an emergency stop button, as shown and described.

DESCRIPTION

FIG. 1 is an isometric view showing the front, top and one side of a first preferred embodiment of the design;

FIG. 2 is a front elevation view of a first preferred embodiment of my invention;

FIG. 3 is a rear elevation view of a first preferred embodiment of my invention;

FIG. 4 is a left-side elevation view of a first preferred embodiment of my invention;

FIG. 5 is a right-side elevation view of a first preferred embodiment of my invention;

FIG. 6 is a top elevation view of a first preferred embodiment of my invention;

FIG. 7 is a bottom elevation view of a first preferred embodiment of my invention;

FIG. 8 is an isometric view showing the front, top and one side of a first preferred embodiment of the design;

FIG. 9 is an isometric view showing the front, top and one side of a second preferred embodiment of the design;

FIG. 10 is a front elevation view of a second preferred embodiment of my invention;

FIG. 11 is a rear elevation view of a second preferred embodiment of my invention;

FIG. 12 is a left-side elevation view of a second preferred embodiment of my invention;

FIG. 13 is a right-side elevation view of a second preferred embodiment of my invention;

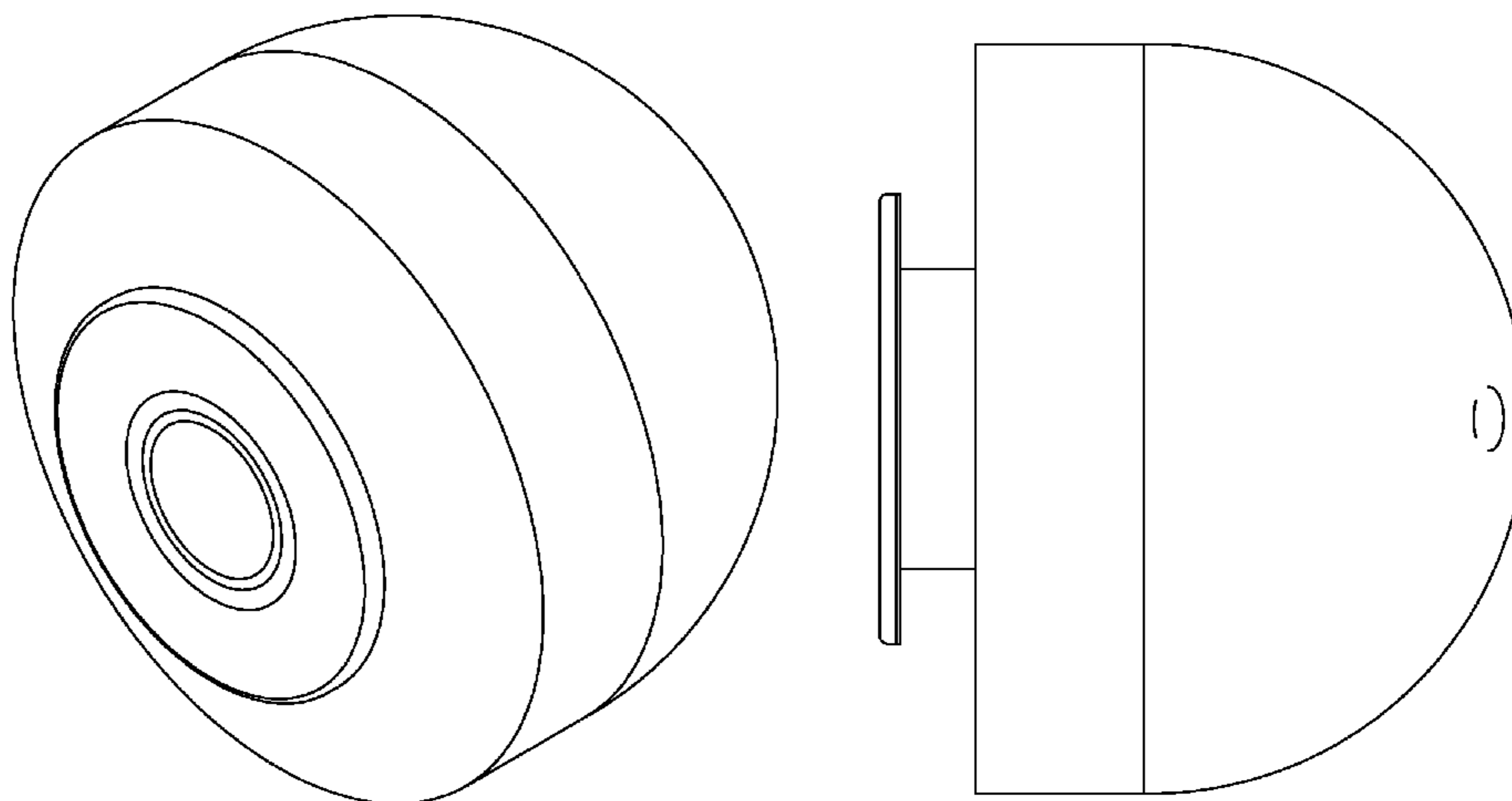
FIG. 14 is a top elevation view of a second preferred embodiment of my invention;

FIG. 15 is a bottom elevation view of a second preferred embodiment of my invention; and,

FIG. 16 is an isometric view showing the front, top and one side of a second preferred embodiment of the design.

The broken line showing of the environment is for illustrative purposes only and forms no part of the claimed design.

1 Claim, 16 Drawing Sheets



(56)

References Cited

U.S. PATENT DOCUMENTS

7,342,194 B2 *	3/2008	Karweik et al.	200/329	8,188,398 B2 *	5/2012	Chu	200/345
8,084,701 B1 *	12/2011	Misner	200/43.13	8,253,051 B2 *	8/2012	Dai	200/345
D654,880 S *	2/2012	Lam	D13/174	2006/0066427 A1 *	3/2006	Miller	335/132
8,168,904 B2 *	5/2012	Huang	200/314	2012/0222943 A1 *	9/2012	Chenier	200/43.18
					2012/0319858 A1 *	12/2012	Tas	340/686.6

* cited by examiner

Fig. 1

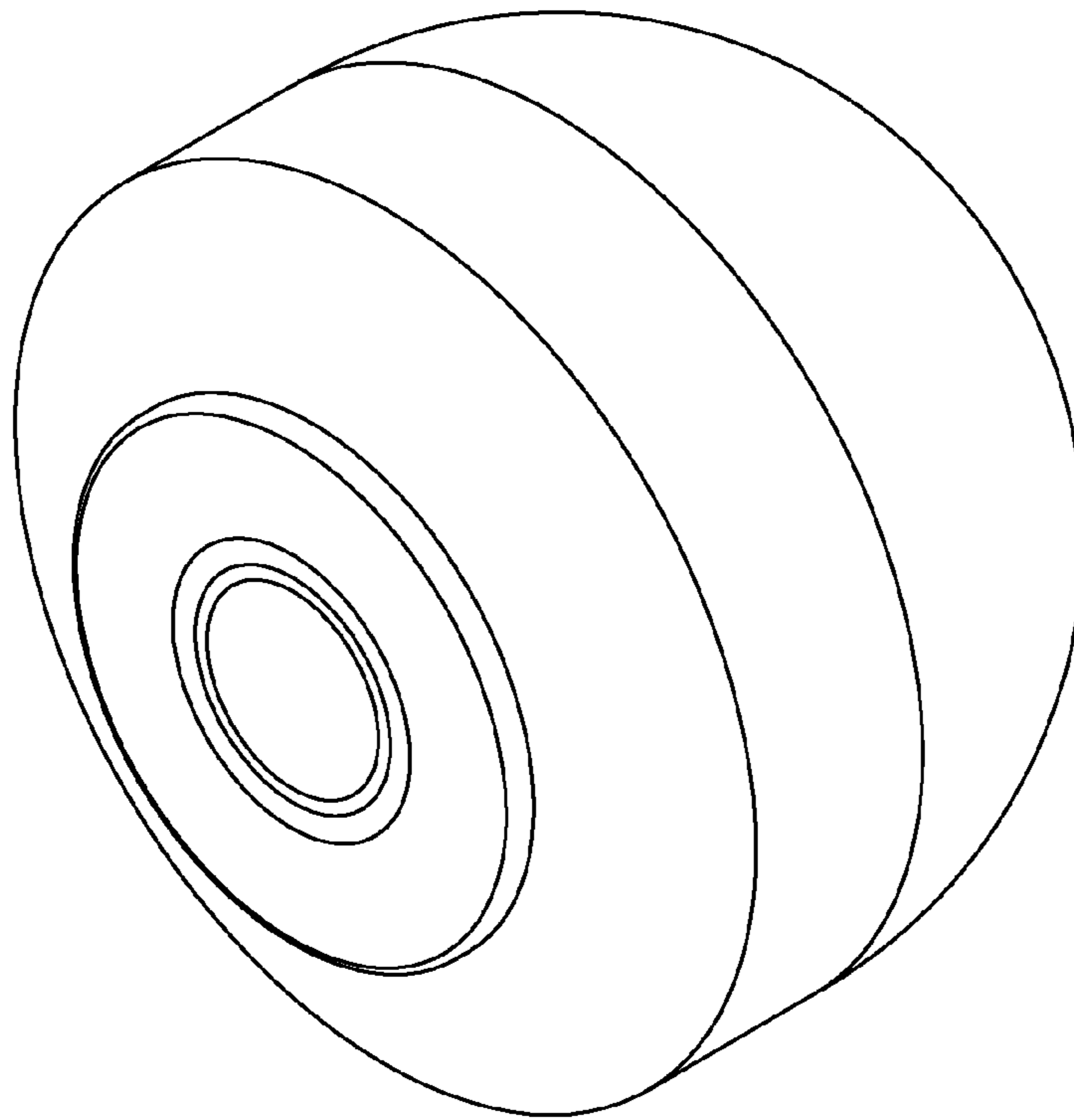


Fig. 2

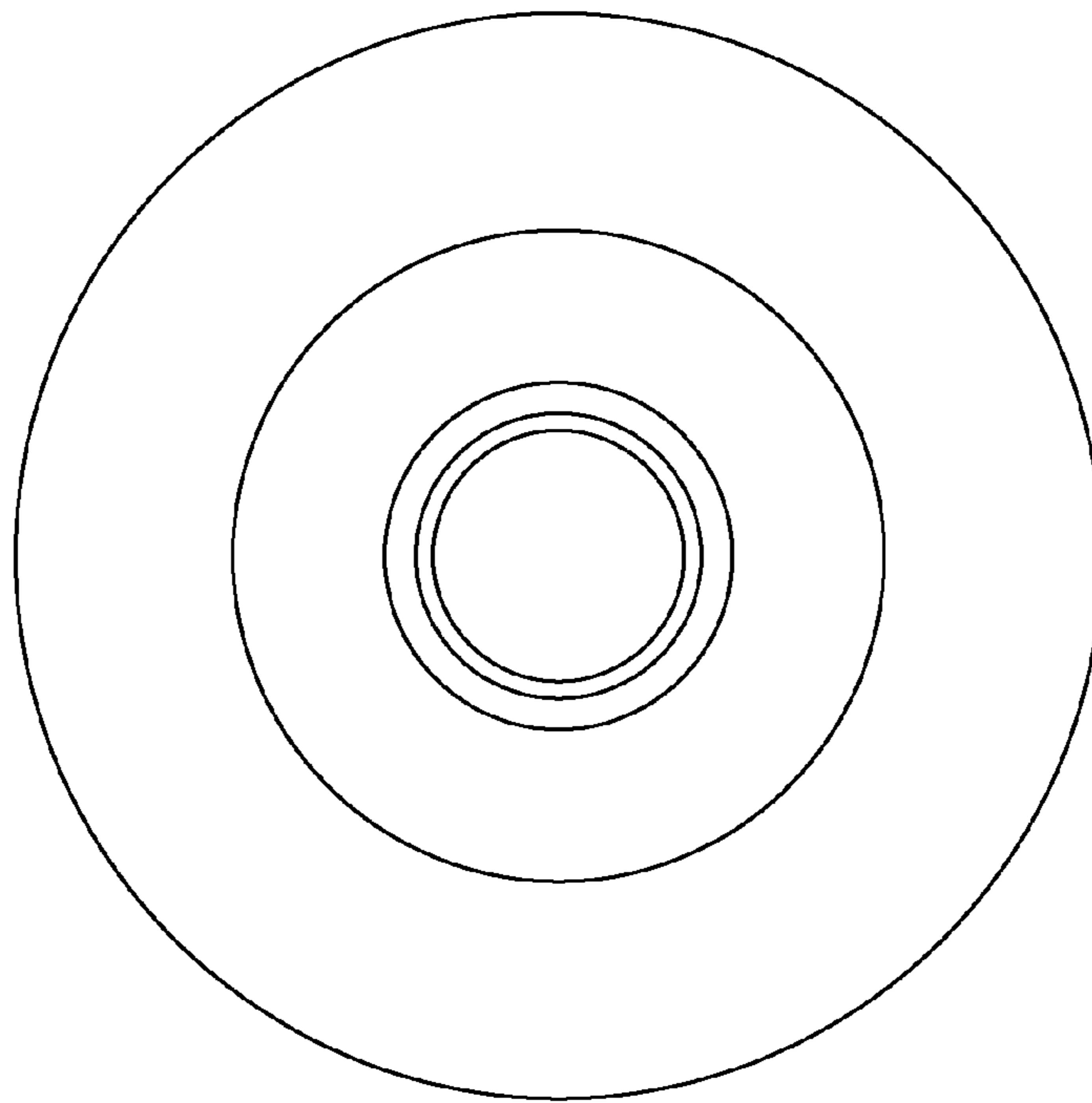


Fig. 3

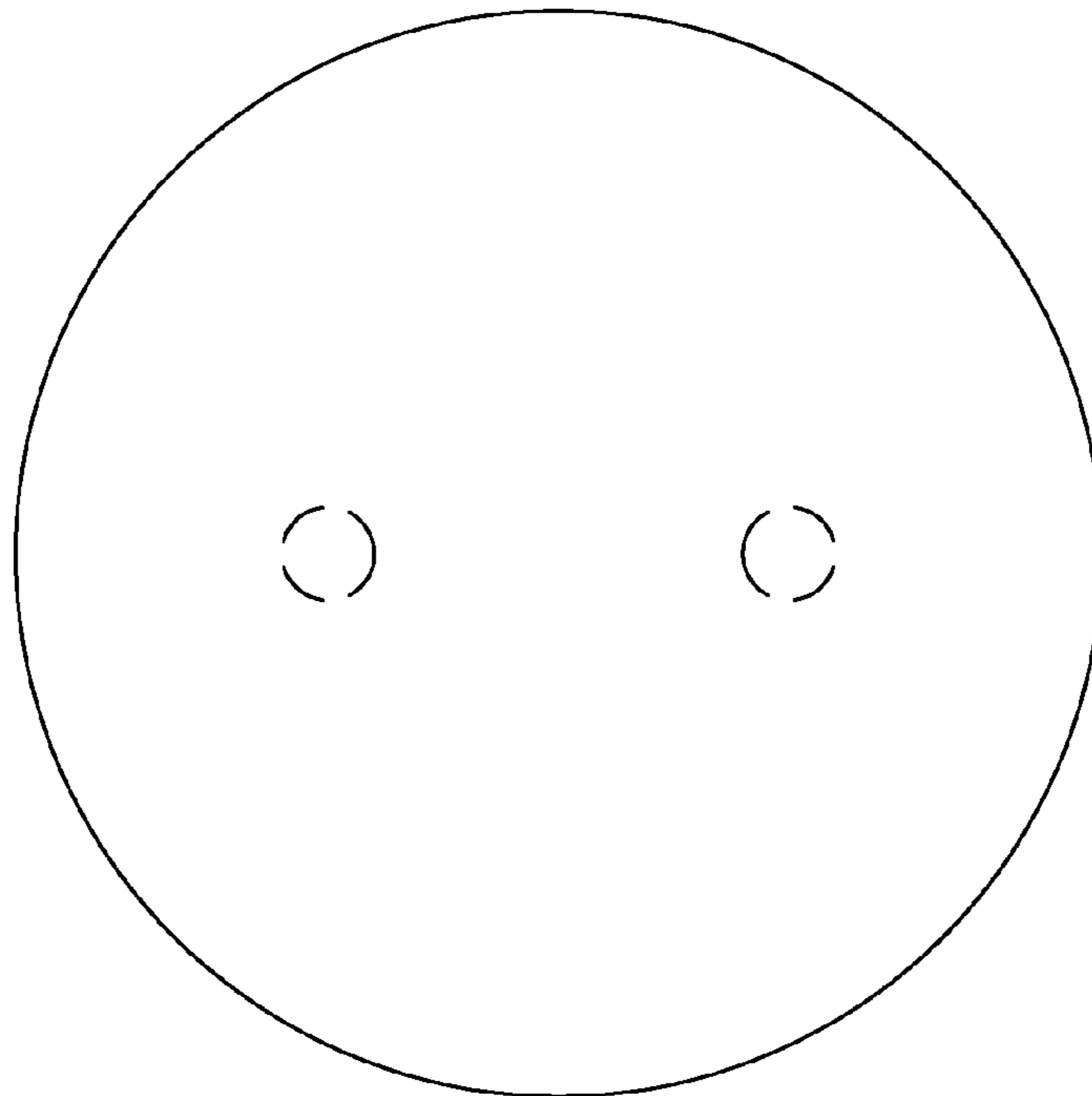


Fig. 4

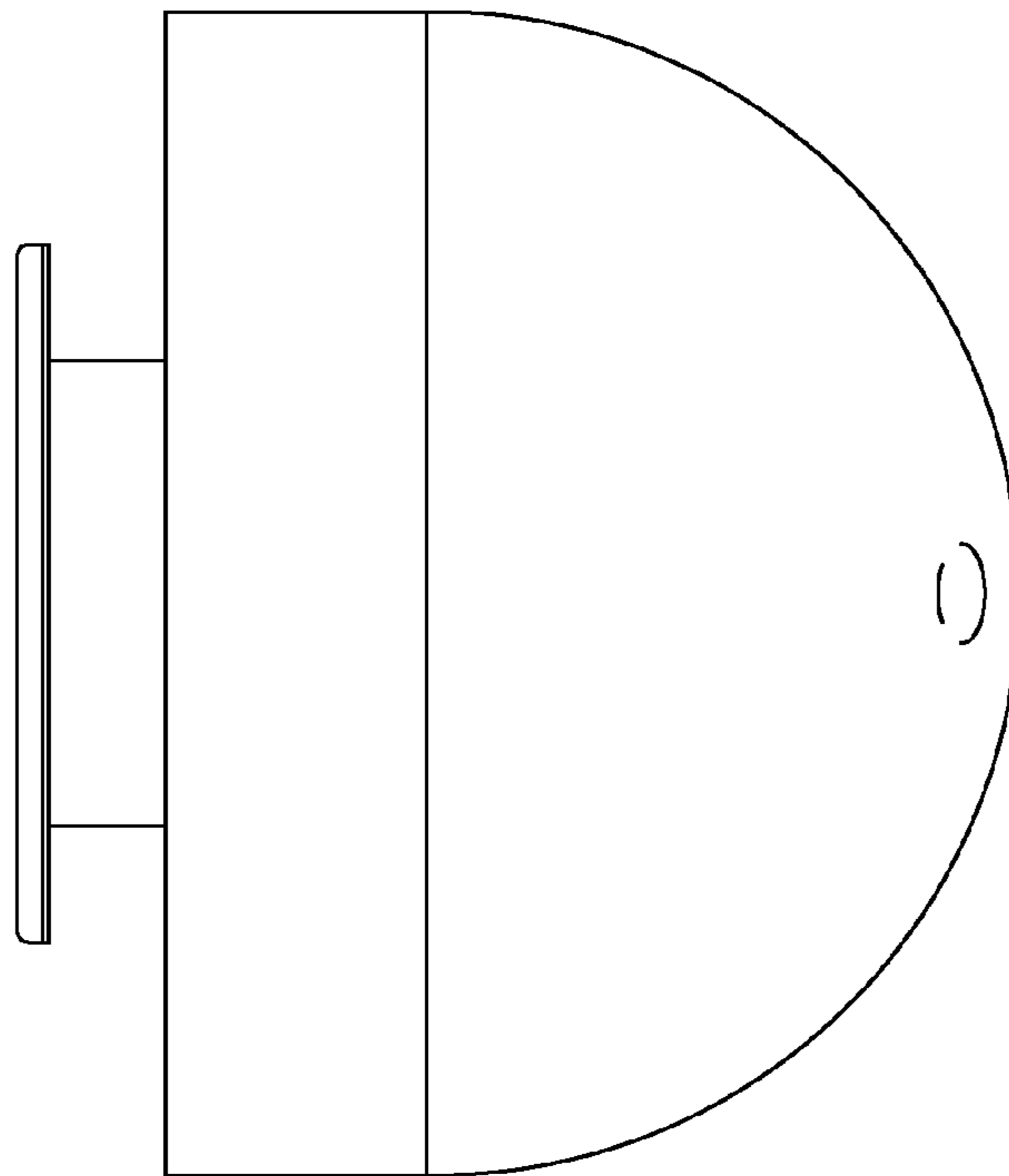


Fig. 5

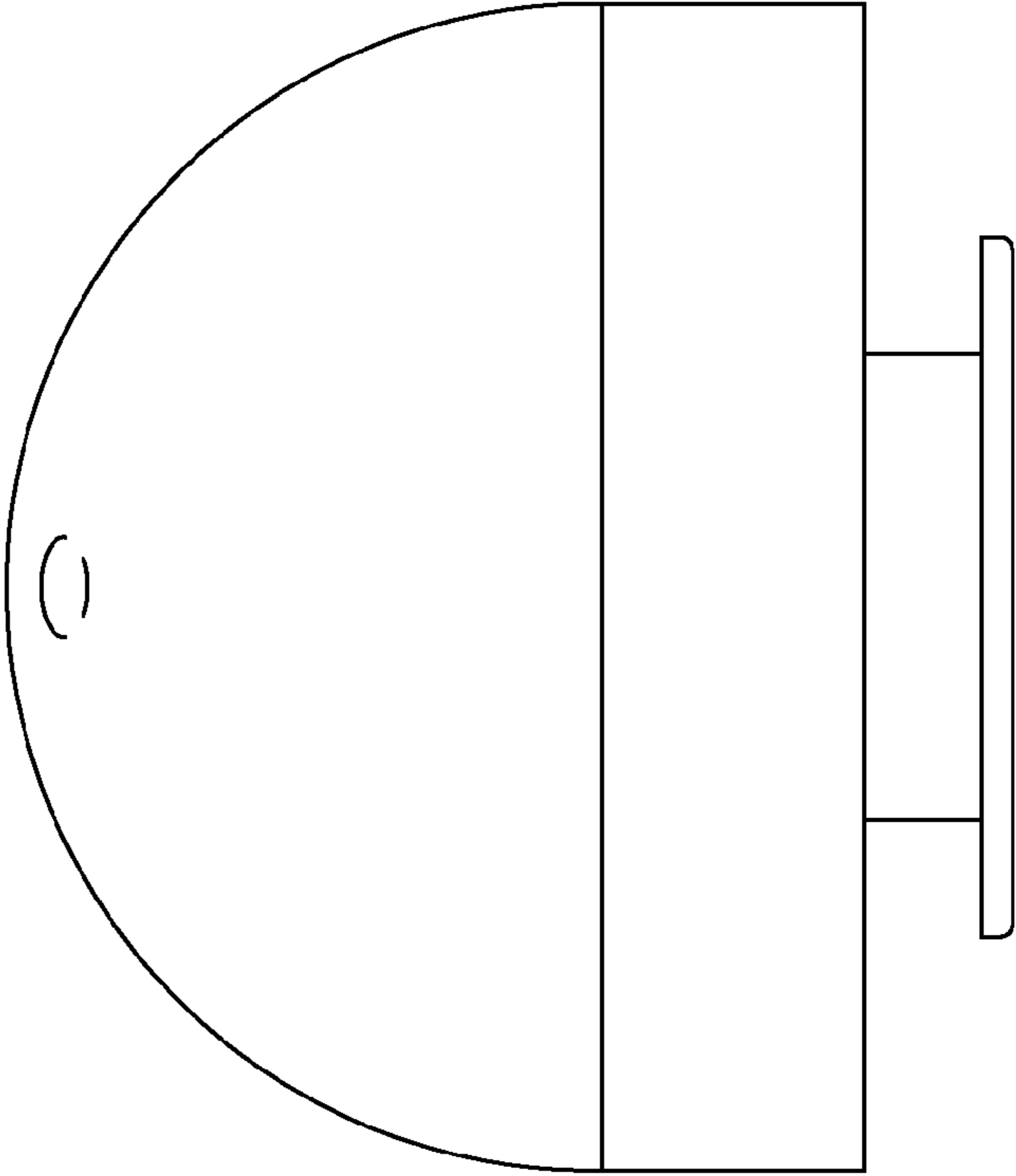


Fig. 6

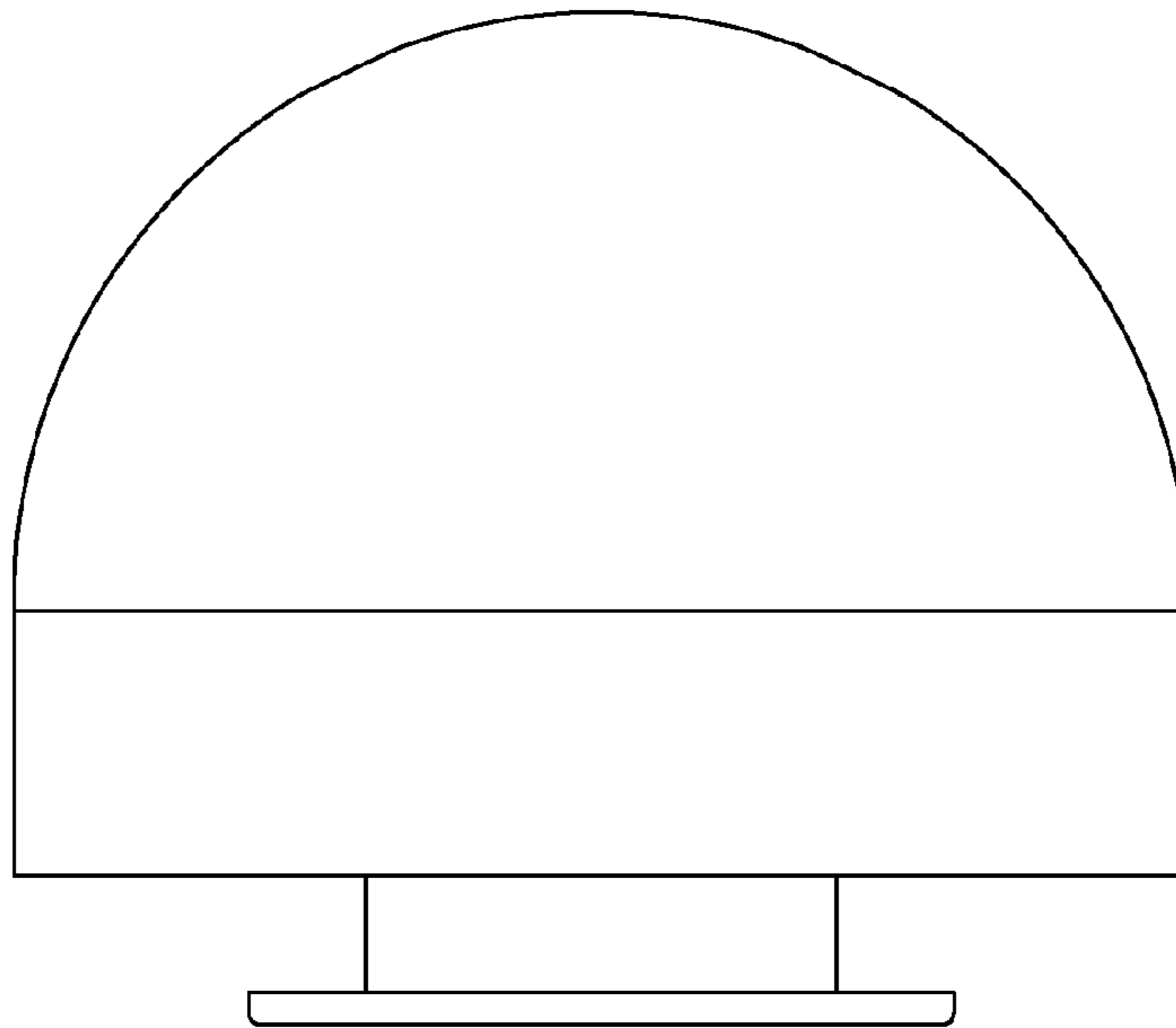


Fig. 7

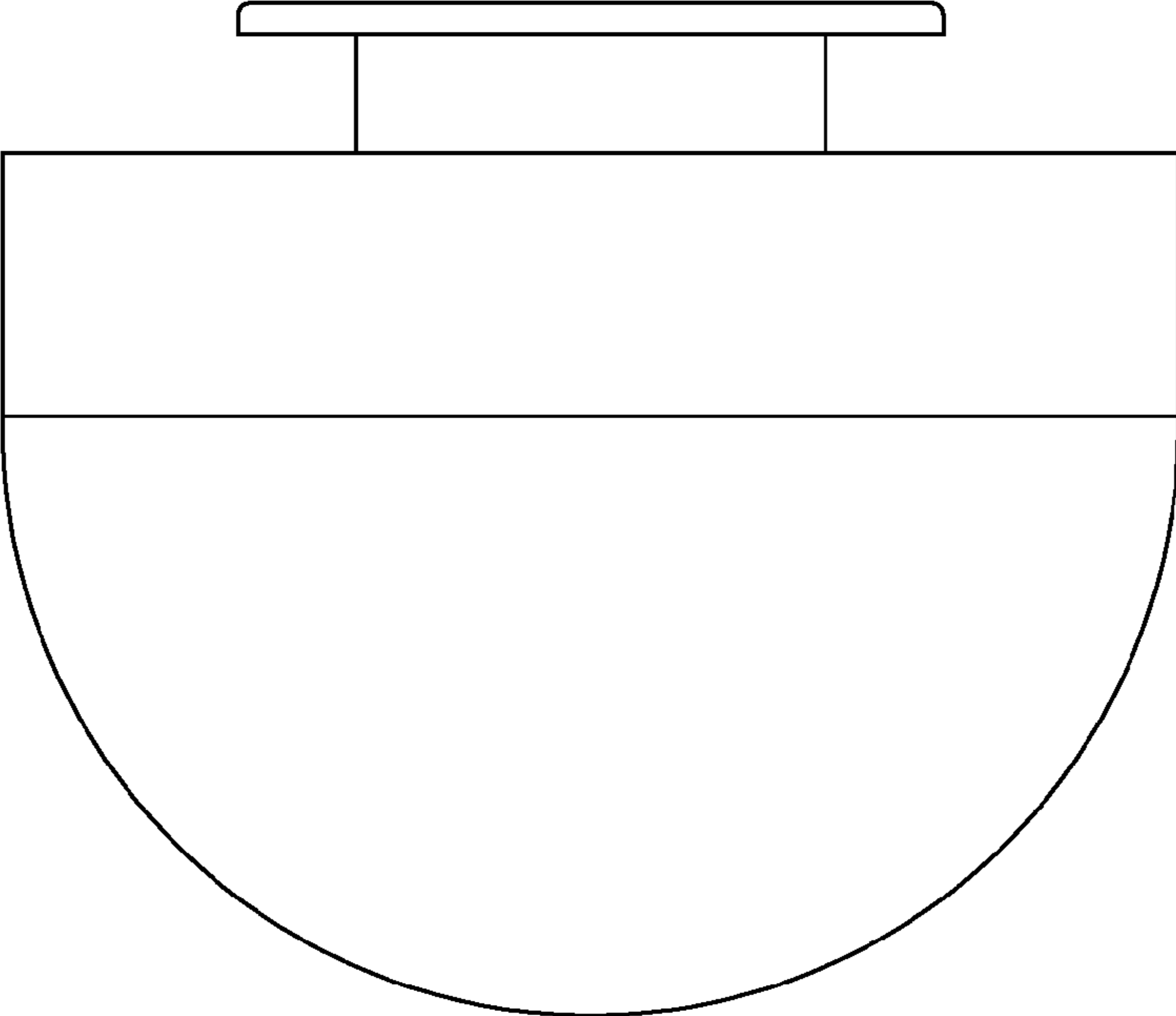


Fig. 8

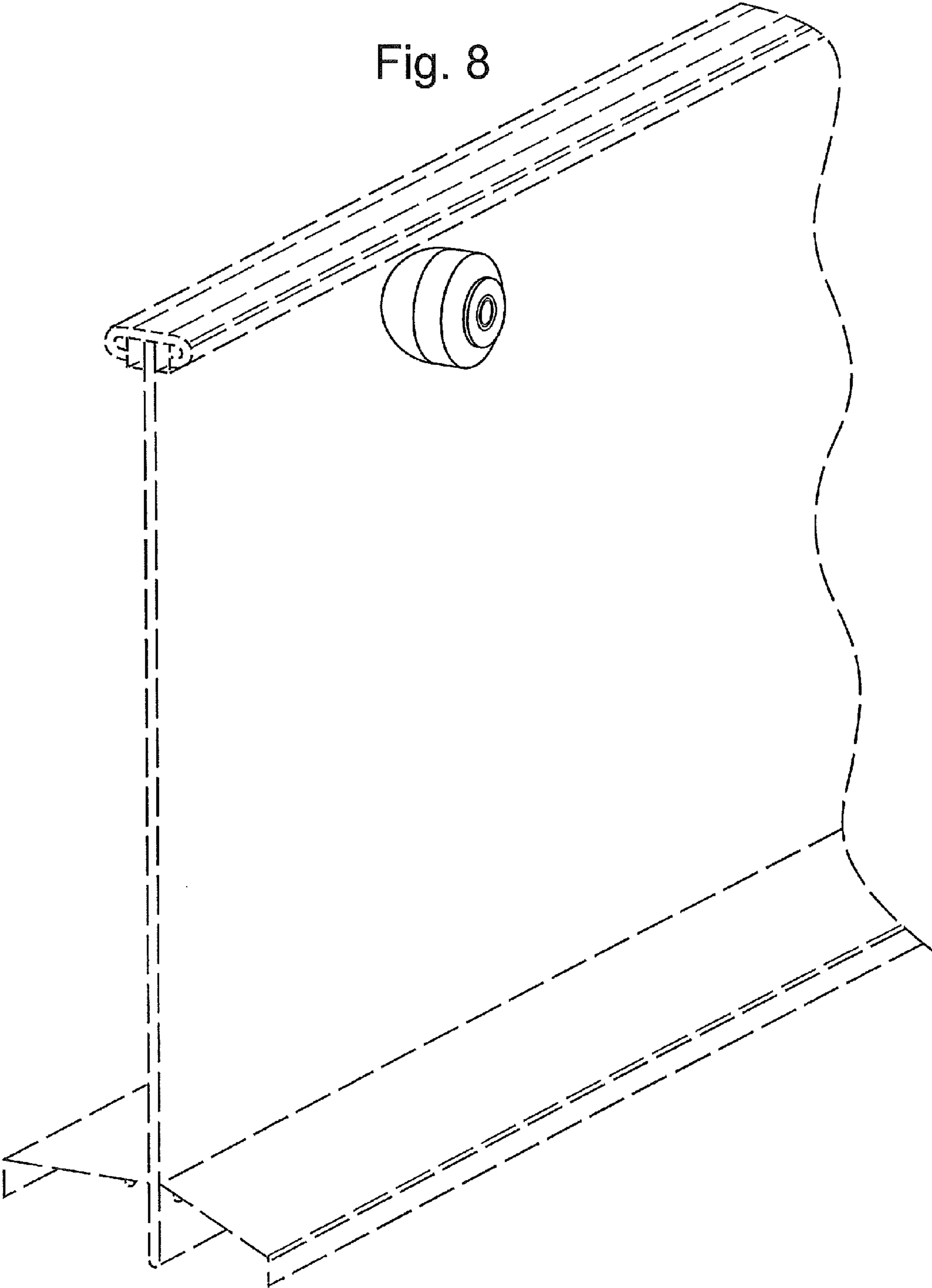


Fig. 9

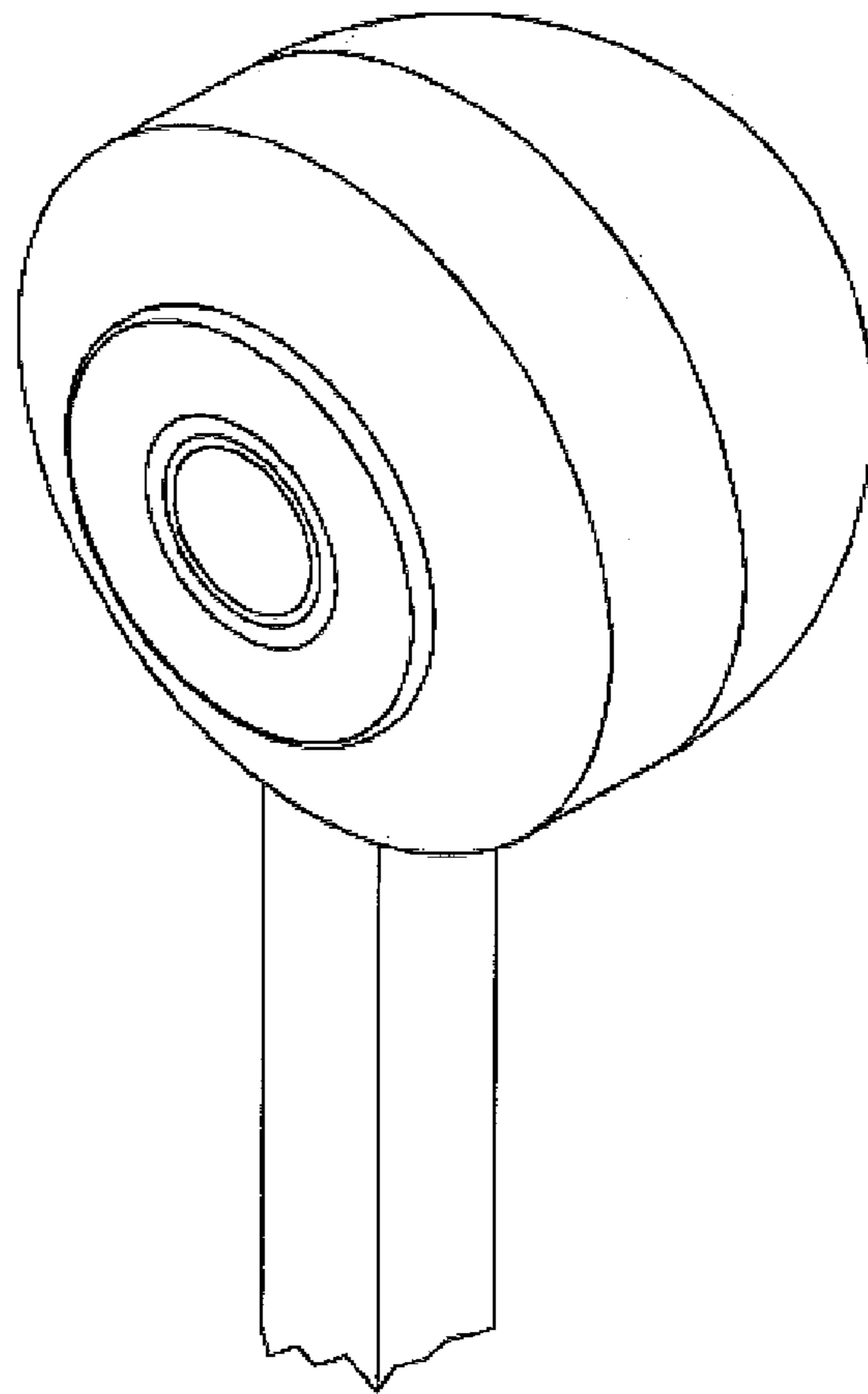


Fig. 10

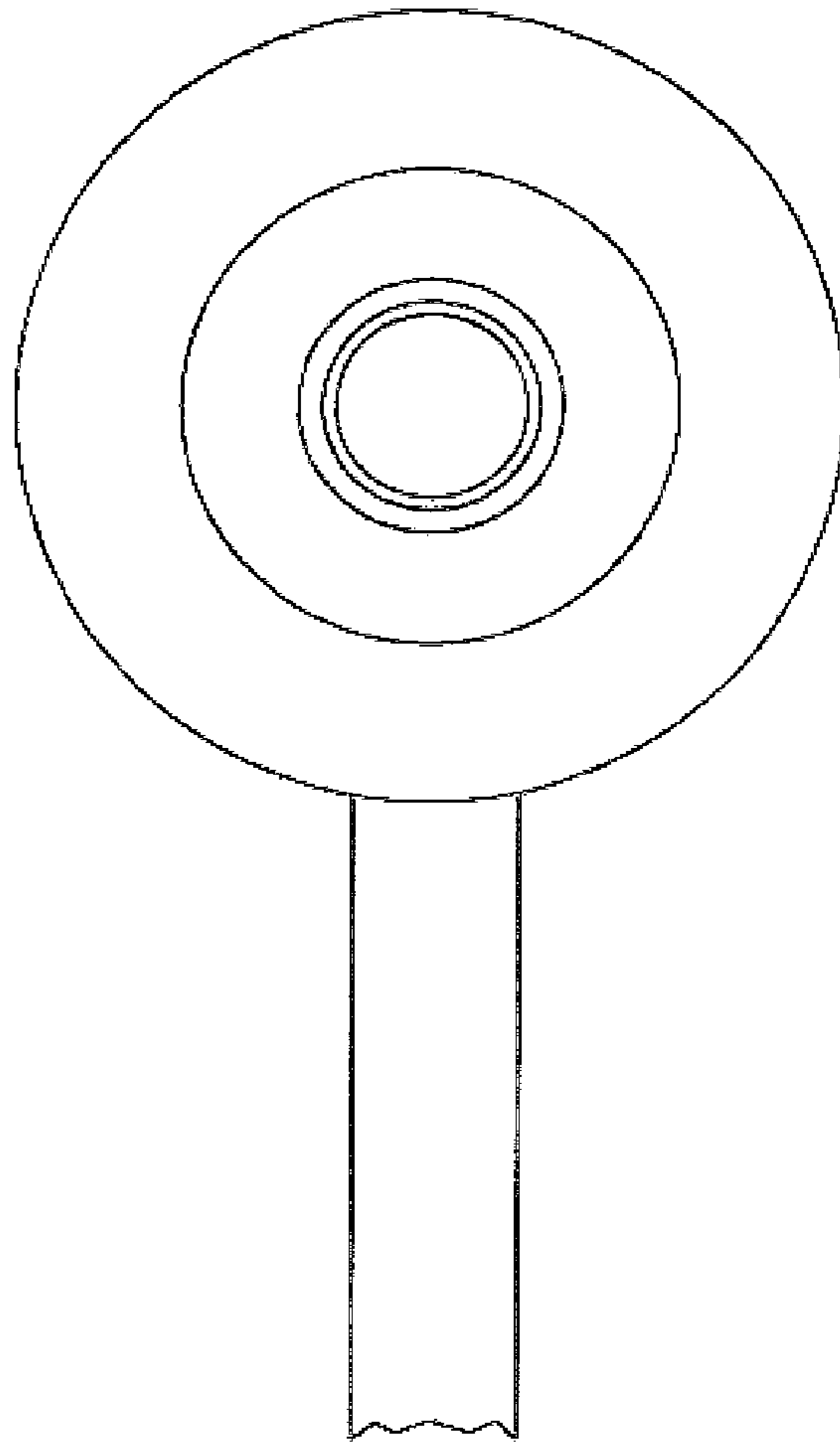


Fig. 11

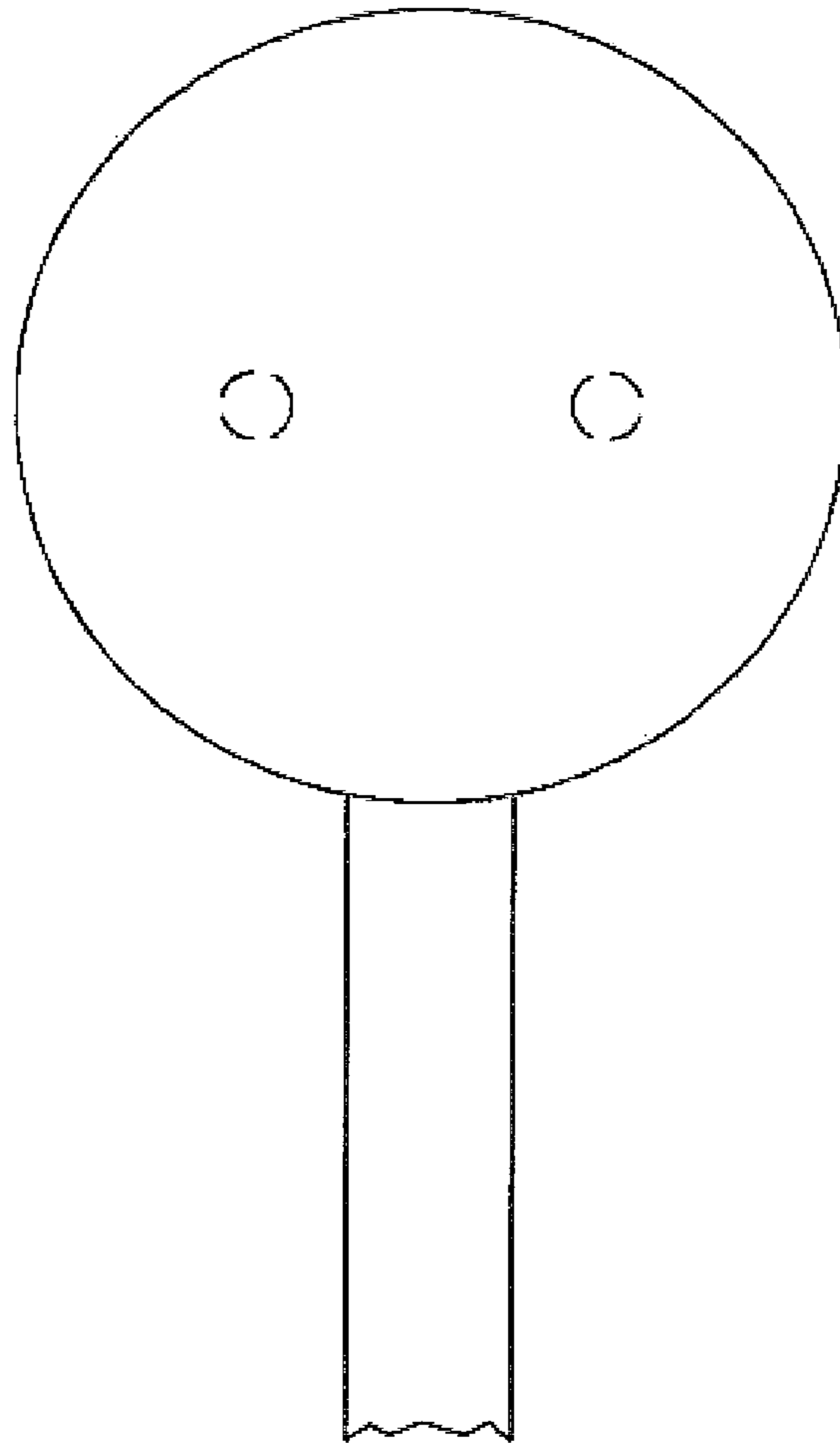


Fig. 12

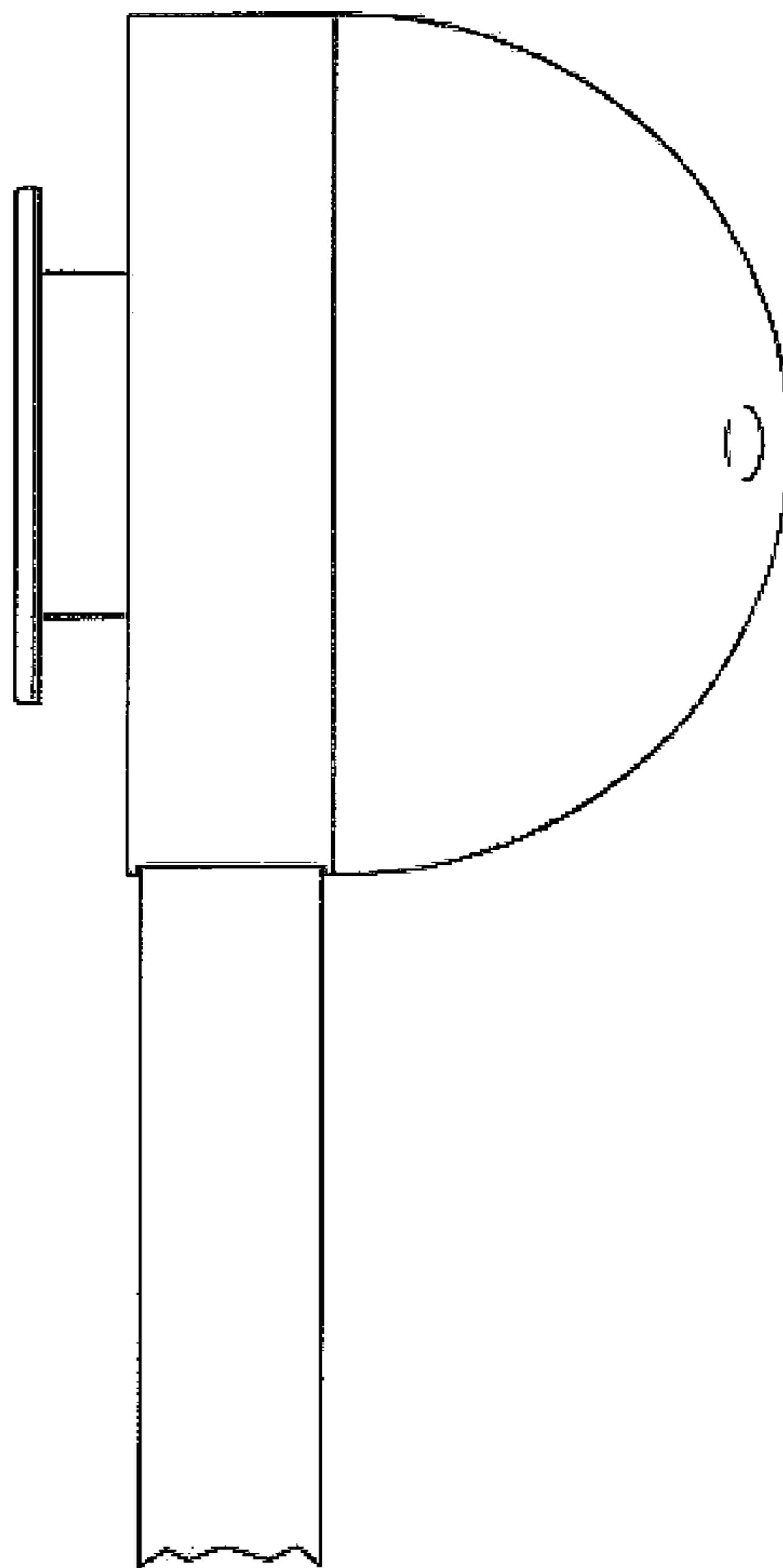


Fig. 13

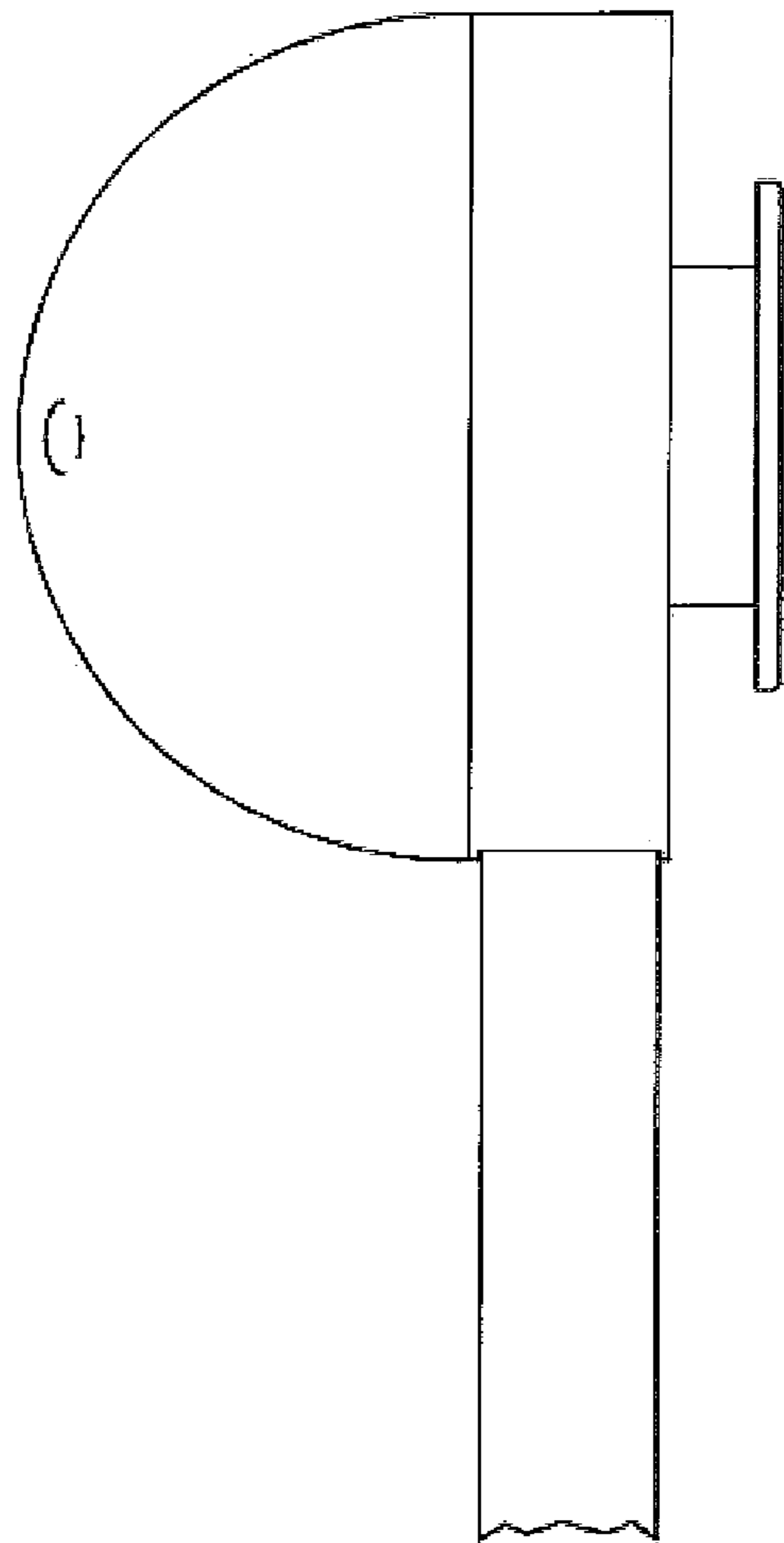


Fig. 14

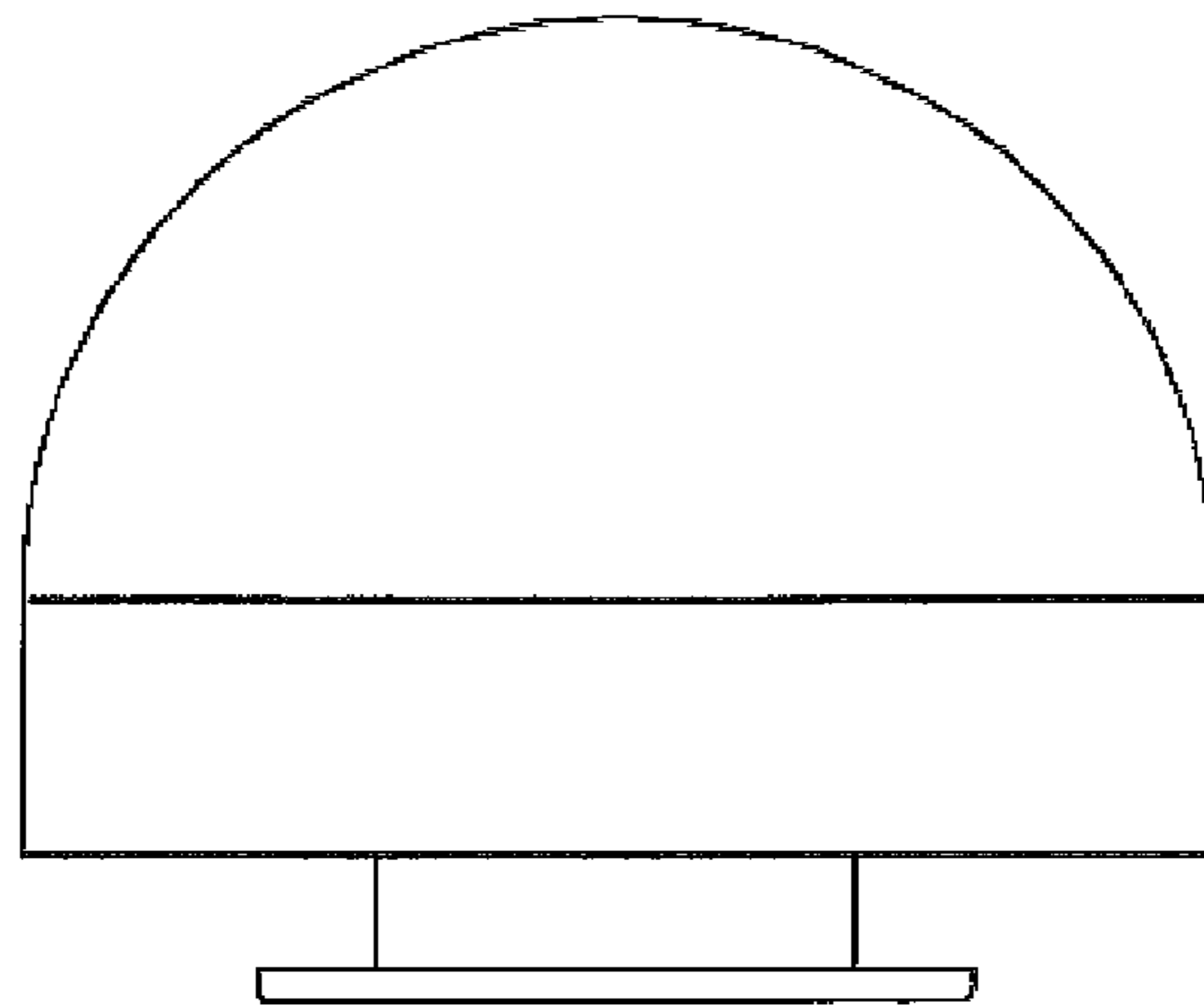


Fig. 15

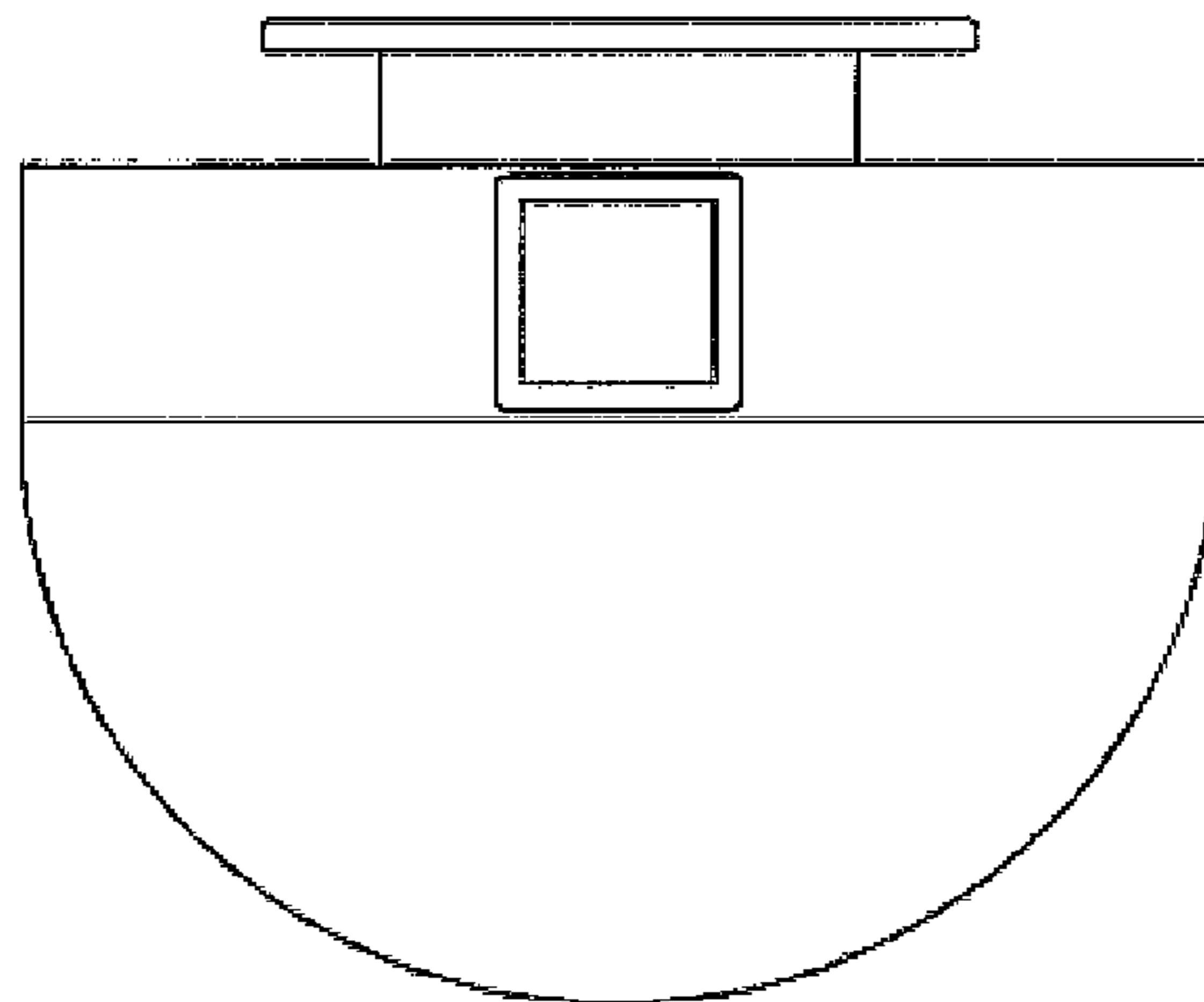


Fig. 16

