

US00D690660S

(12) **United States Design Patent**
Suzuki et al.

(10) **Patent No.:** **US D690,660 S**
(45) **Date of Patent:** **** Oct. 1, 2013**

(54) **ELECTROMAGNETIC CONTACT DEVICE**

(56) **References Cited**

(75) Inventors: **Kenji Suzuki**, Tokyo (JP); **Kouetsu Takaya**, Tokyo (JP); **Yuichi Yamamoto**, Tokyo (JP); **Yuji Shiba**, Tokyo (JP); **Yasuhiro Naka**, Tokyo (JP)

U.S. PATENT DOCUMENTS

D656,900	S	*	4/2012	Suzuki et al.	D13/159
D656,901	S	*	4/2012	Suzuki et al.	D13/159
D656,902	S	*	4/2012	Suzuki et al.	D13/159
D656,903	S	*	4/2012	Suzuki et al.	D13/159
D656,904	S	*	4/2012	Suzuki et al.	D13/159
D657,749	S	*	4/2012	Suzuki et al.	D13/159

(73) Assignee: **Fuji Electric FA Components & Systems Co., Ltd.**, Tokyo (JP)

* cited by examiner

(**) Term: **14 Years**

Primary Examiner — Thomas Johannes

(21) Appl. No.: **29/419,026**

(74) *Attorney, Agent, or Firm* — Young & Thompson

(22) Filed: **Apr. 24, 2012**

(57) **CLAIM**

The ornamental design for an electromagnetic contact device, as shown and described.

(30) **Foreign Application Priority Data**

DESCRIPTION

Oct. 26, 2011 (JP) 2011-024588

FIG. 1 is a perspective view of front, top and right side of an electromagnetic contact device showing our new design; FIG. 2 is a perspective view of front, bottom and left side thereof; FIG. 3 is a front view thereof; FIG. 4 is a rear view thereof; FIG. 5 is a left side view thereof; FIG. 6 is a right side view thereof; FIG. 7 is a top plan view thereof; and, FIG. 8 is a bottom view thereof.

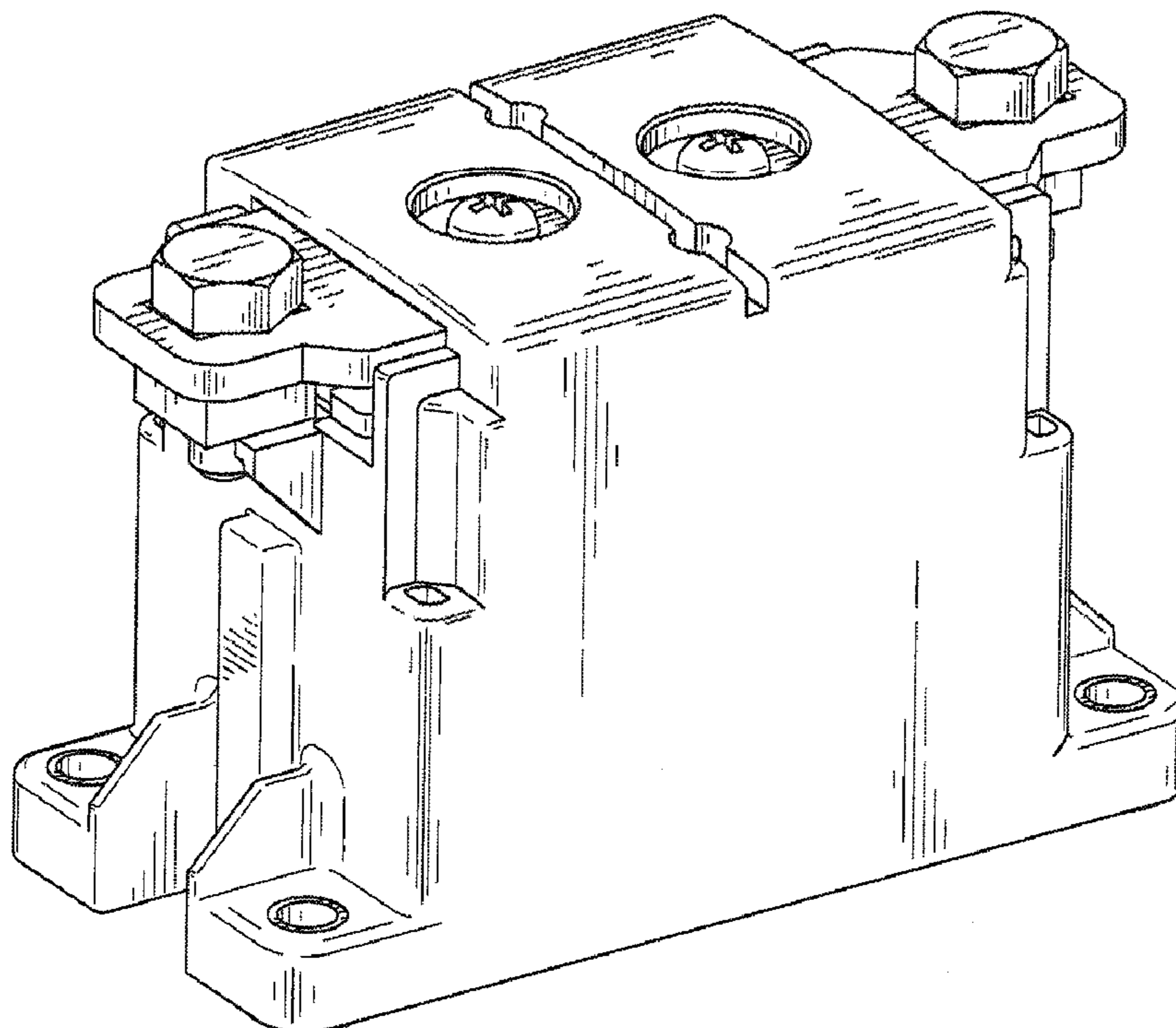
(51) **LOC (9) Cl.** **13-03**

(52) **U.S. Cl.**
USPC **D13/159**

(58) **Field of Classification Search**
USPC D13/158, 159, 160, 162, 184, 199;
200/43.14, 50.01, 50.21–50.23, 51 R, 293;
361/42, 44, 50, 71, 115, 608, 634

See application file for complete search history.

1 Claim, 4 Drawing Sheets



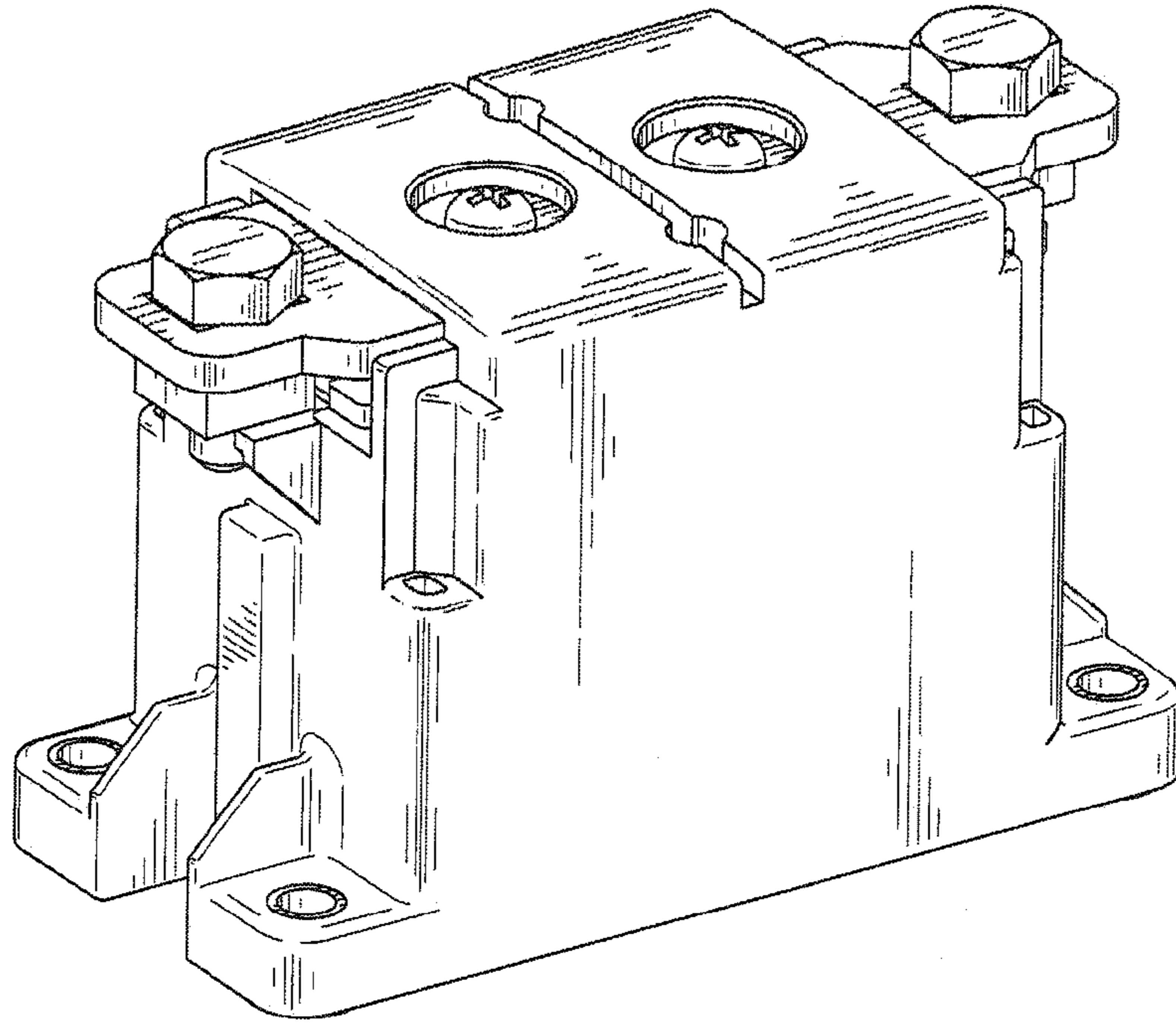


FIG. 1

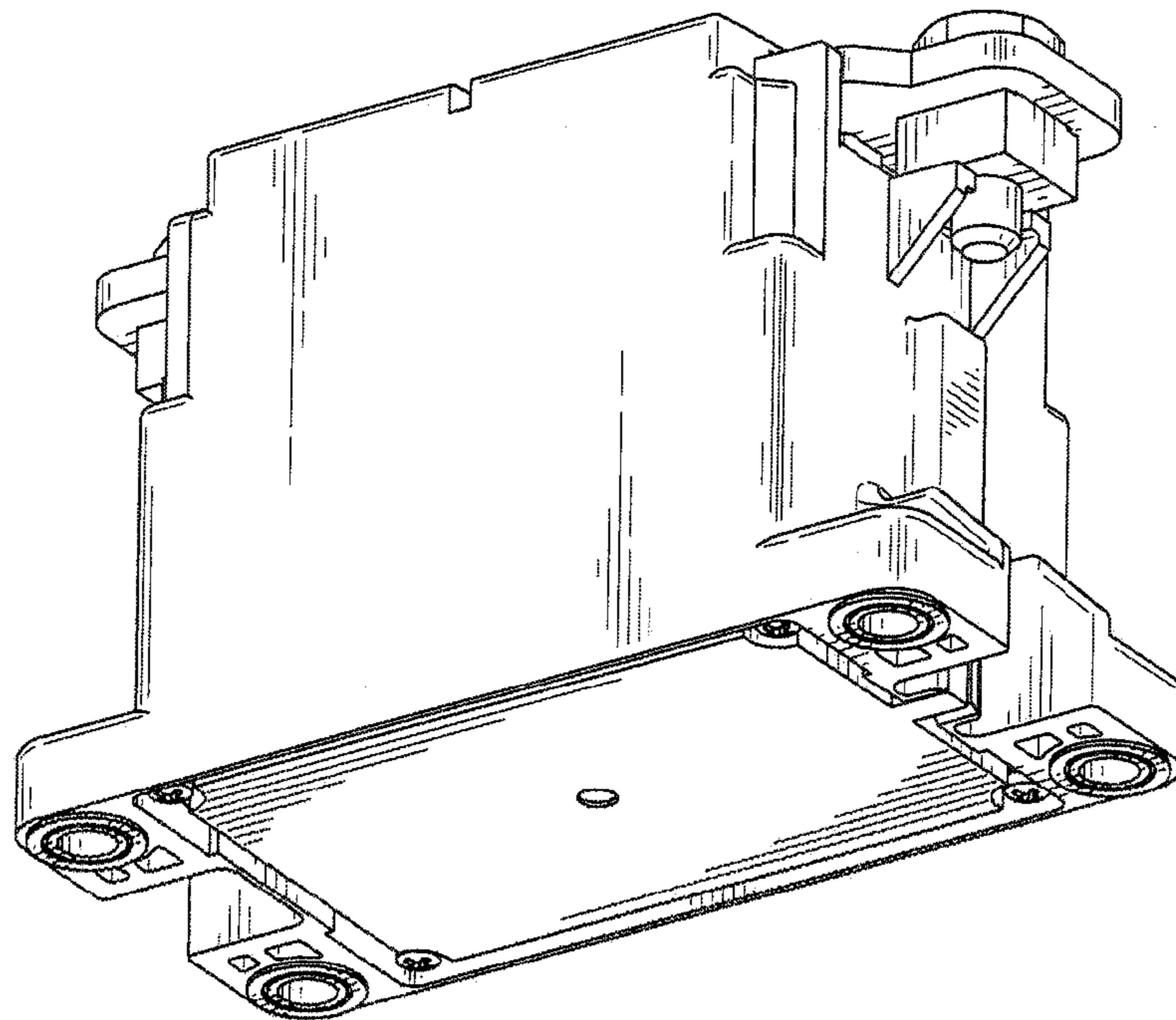


FIG. 2

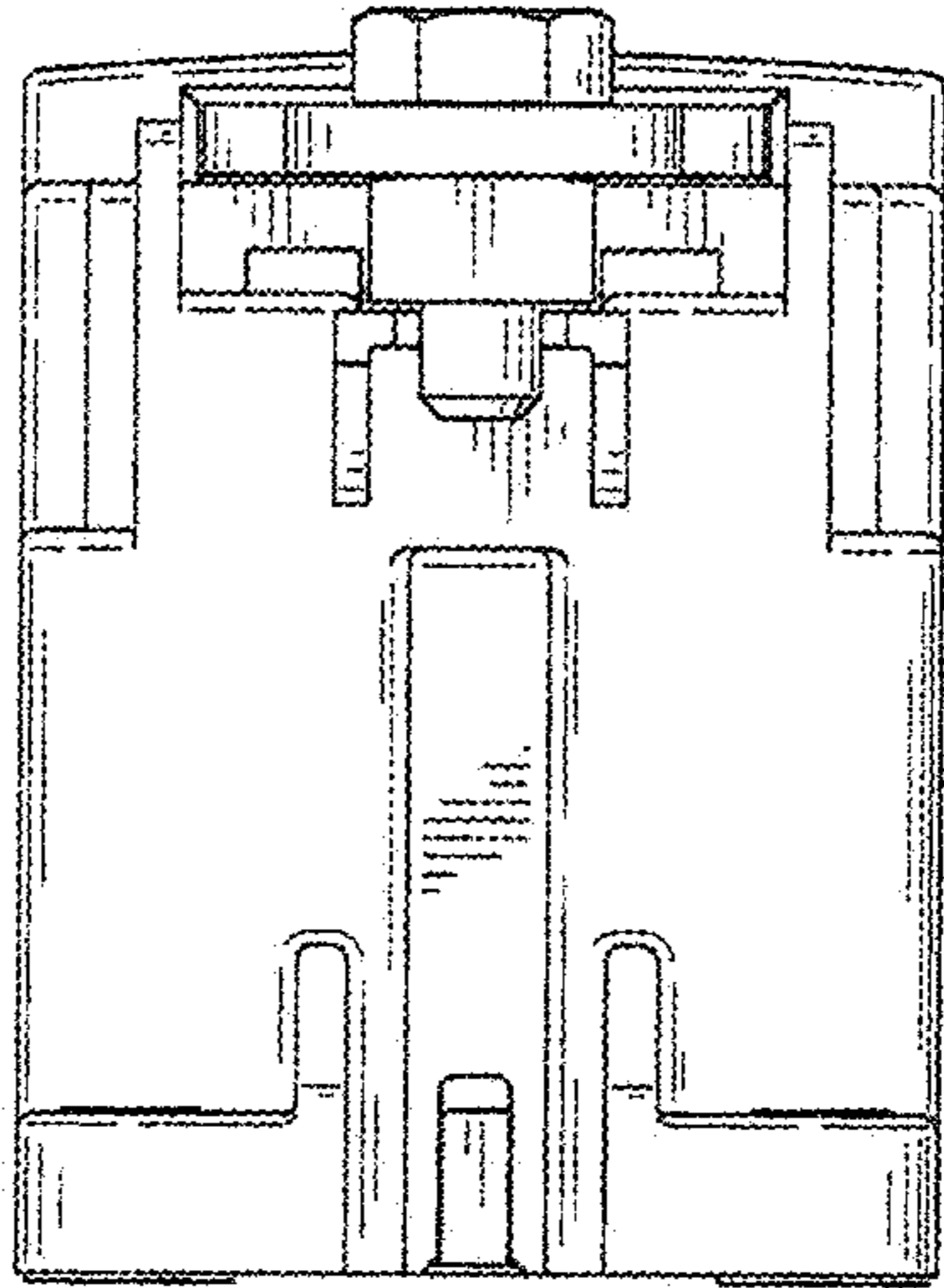


FIG. 3

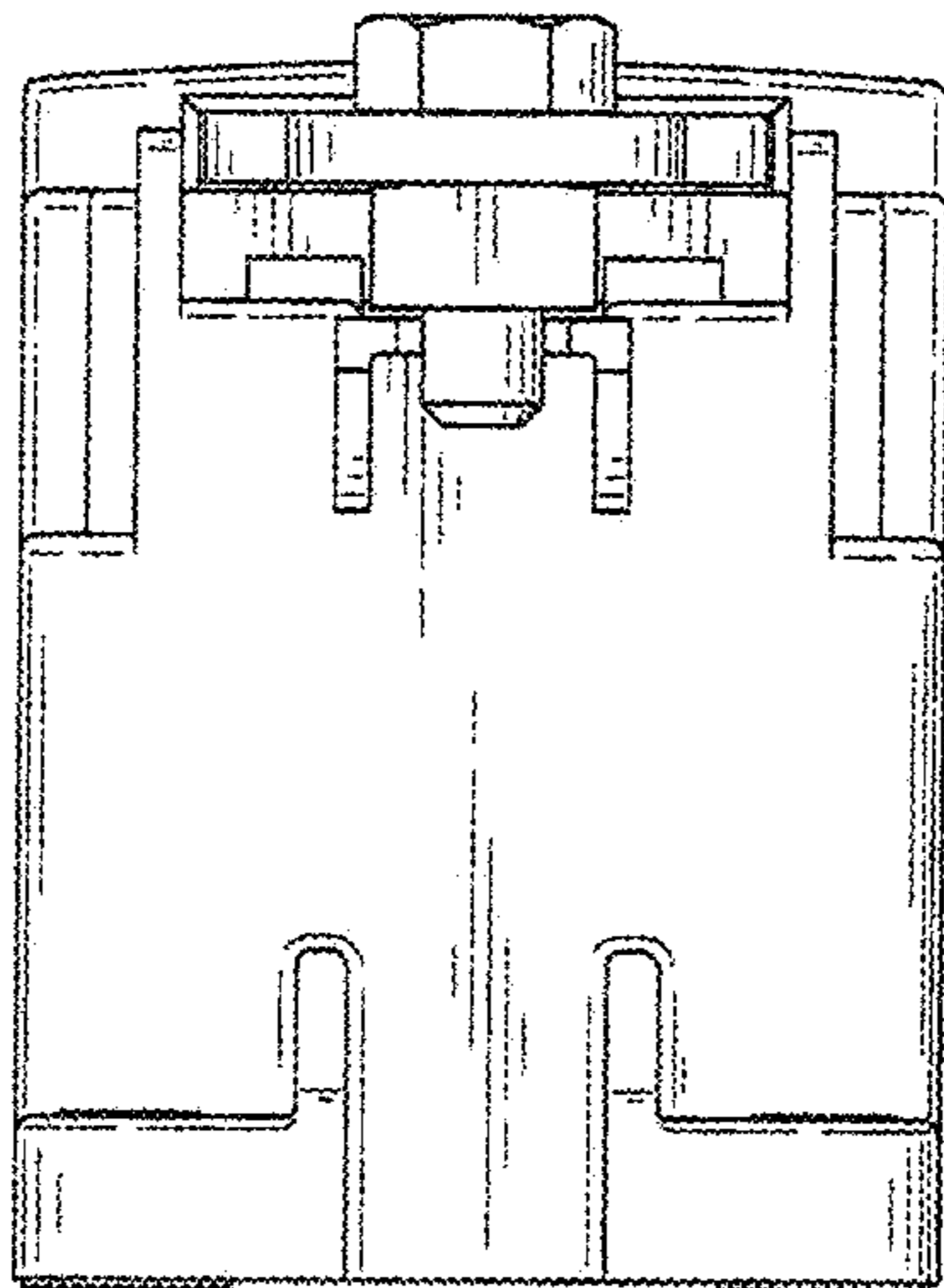


FIG. 4

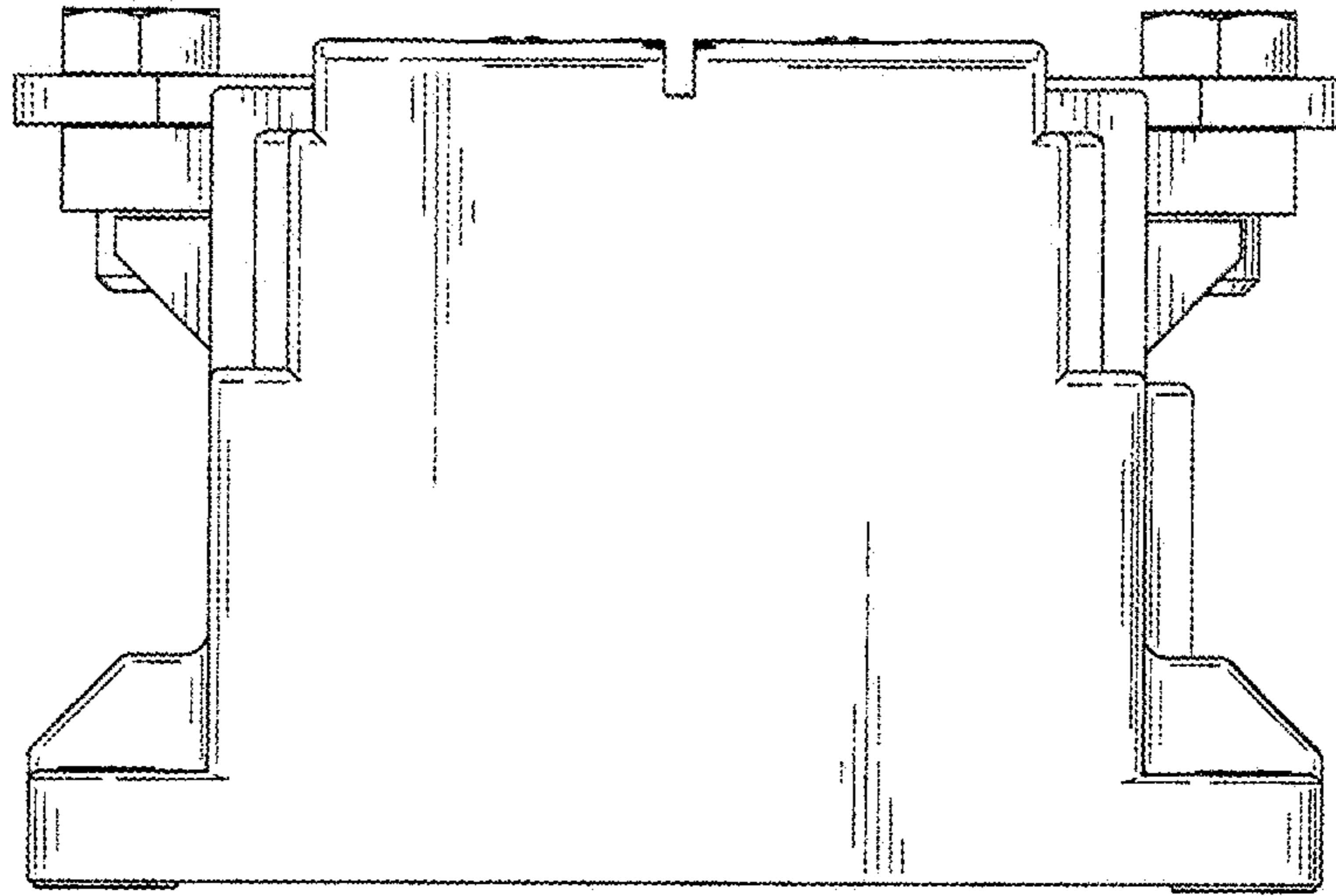


FIG. 5

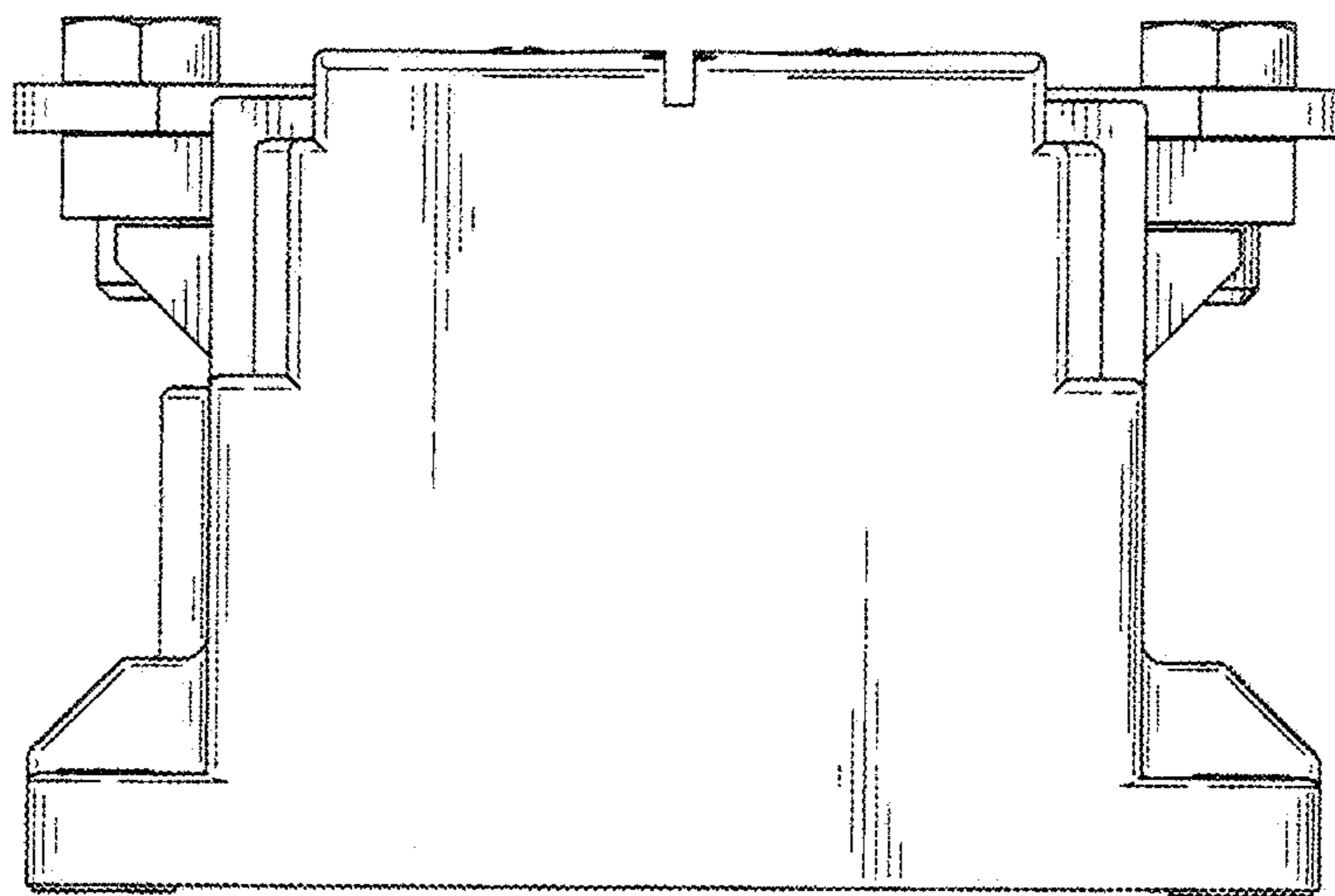


FIG. 6

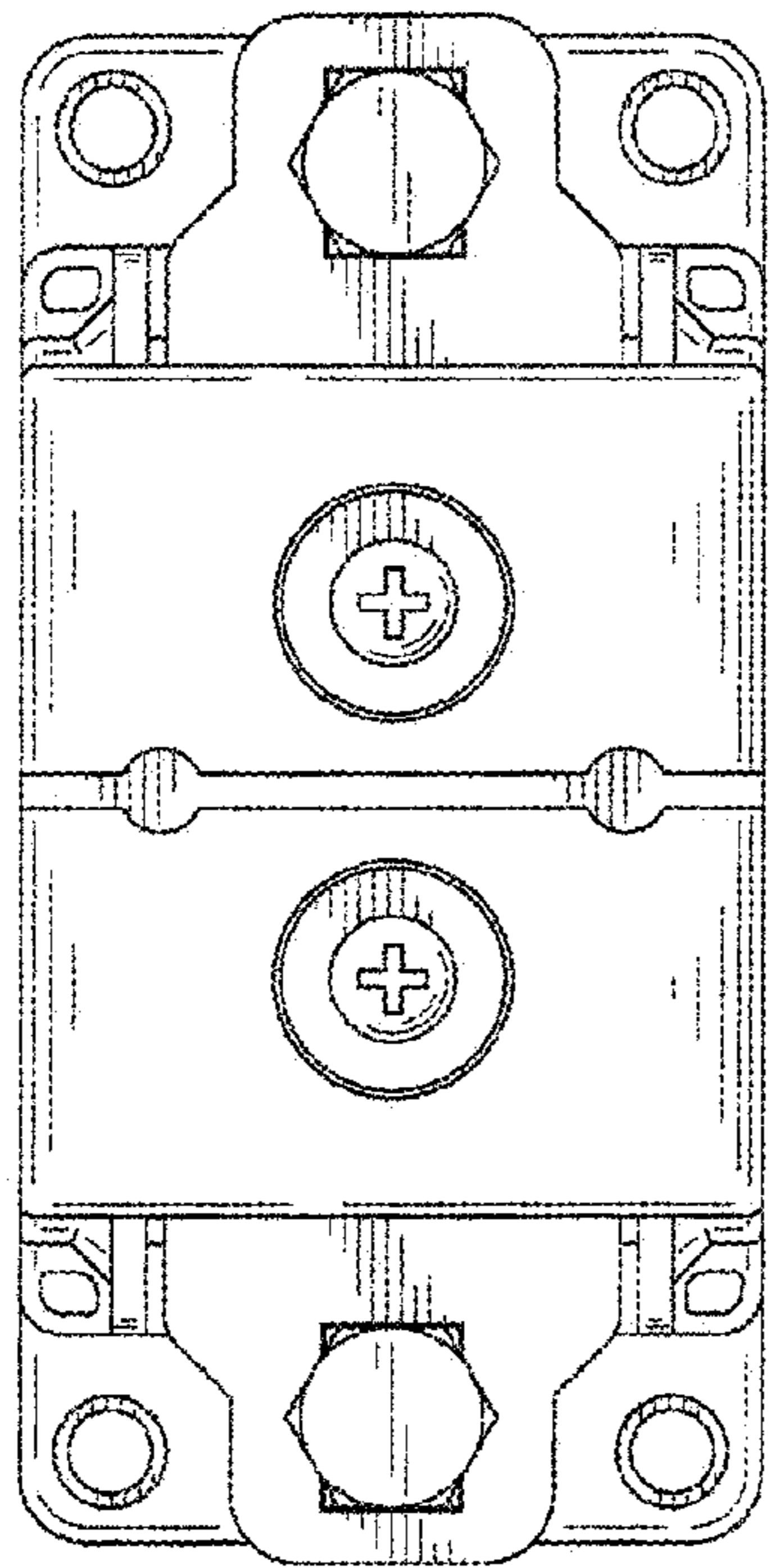


FIG. 7

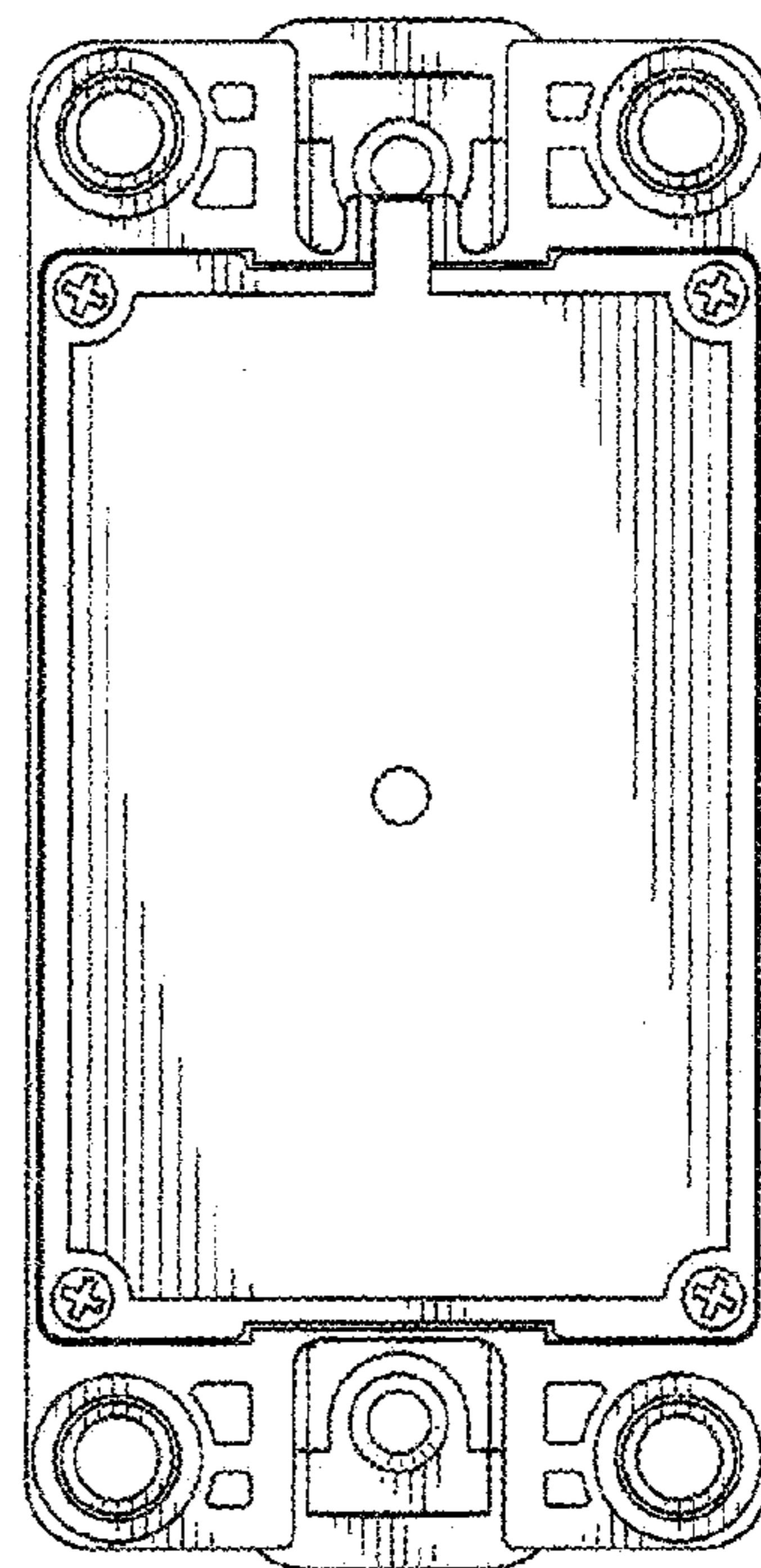


FIG. 8