



US00D690659S

(12) **United States Design Patent**
Peltola et al.

(10) **Patent No.:** **US D690,659 S**
(45) **Date of Patent:** **** Oct. 1, 2013**

(54) **SWITCH COVER**

(75) Inventors: **Wallace A. Peltola**, Sammamish, WA (US); **Jonathan Duncan**, Seattle, WA (US); **Jose Alberto Gámez**, Kirkland, WA (US); **Martin Jay Caspe-Detzer**, Seattle, WA (US); **Steven Karl Jahns**, Bellingham, WA (US); **Michael W. Shovlin**, Corinth, TX (US)

(73) Assignee: **PACCAR Inc**, Bellevue, WA (US)

(**) Term: **14 Years**

(21) Appl. No.: **29/415,720**

(22) Filed: **Mar. 13, 2012**

(51) **LOC (9) Cl.** **13-03**

(52) **U.S. Cl.**
USPC **D13/158; D13/177**

(58) **Field of Classification Search**
USPC D13/158, 162, 164, 168, 177, 184, D13/199; D14/388, 485-495; D12/192-195; D8/302, 315; 200/1 R, 5 R, 52 R, 81 R, 81.4, 200/83, 83 Q, 315, 310, 6 A, 302.1, 308, 200/314, 317, 520; 296/153; 297/411.21; 307/10.1; 362/501, 23, 276, 29, 464, 802, 362/85; D18/24-33; D19/6, 9, 10, 52; D20/11; D21/324-333; 715/700-867, 973-977; D10/85, 96; D23/233
See application file for complete search history.

(56) **References Cited**

U.S. PATENT DOCUMENTS

D360,876 S * 8/1995 Hughes D13/177
D378,913 S * 4/1997 Chambers et al. D13/156
D379,176 S * 5/1997 Chambers et al. D13/156
D379,970 S * 6/1997 Chambers et al. D13/156
D411,826 S * 7/1999 Lamar et al. D13/139.6

D432,503 S * 10/2000 Taylor D13/177
D463,380 S * 9/2002 Holloway et al. D13/167
6,627,816 B1 * 9/2003 Walker et al. 174/66
D486,452 S * 2/2004 Dinh D13/156
D512,692 S * 12/2005 Beaton D13/177
D531,961 S * 11/2006 Greenfield D13/156
D554,590 S * 11/2007 Vasarhelyi et al. D13/152
D556,145 S * 11/2007 Williams et al. D13/152
D569,754 S * 5/2008 Kume D10/104.1
D615,048 S * 5/2010 Grisby D13/173
D631,448 S * 1/2011 Wang D13/184
D640,633 S * 6/2011 Akahori D13/139.4
D656,102 S * 3/2012 Chou D13/162
8,253,049 B2 * 8/2012 Grisby 200/330

OTHER PUBLICATIONS

“T440,” Kenworth Truck Company, Kirkland, Washington, 2010, 2-page brochure.

(Continued)

Primary Examiner — Thomas Johannes

(74) *Attorney, Agent, or Firm* — Christensen O'Connor Johnson Kindness PLLC

(57) **CLAIM**

The ornamental design for a switch cover, as shown and described.

DESCRIPTION

FIG. 1 is a top perspective view of a switch cover according to our new design;

FIG. 2 is a bottom perspective view thereof;

FIG. 3 is a top plan view thereof;

FIG. 4 is a bottom plan view thereof;

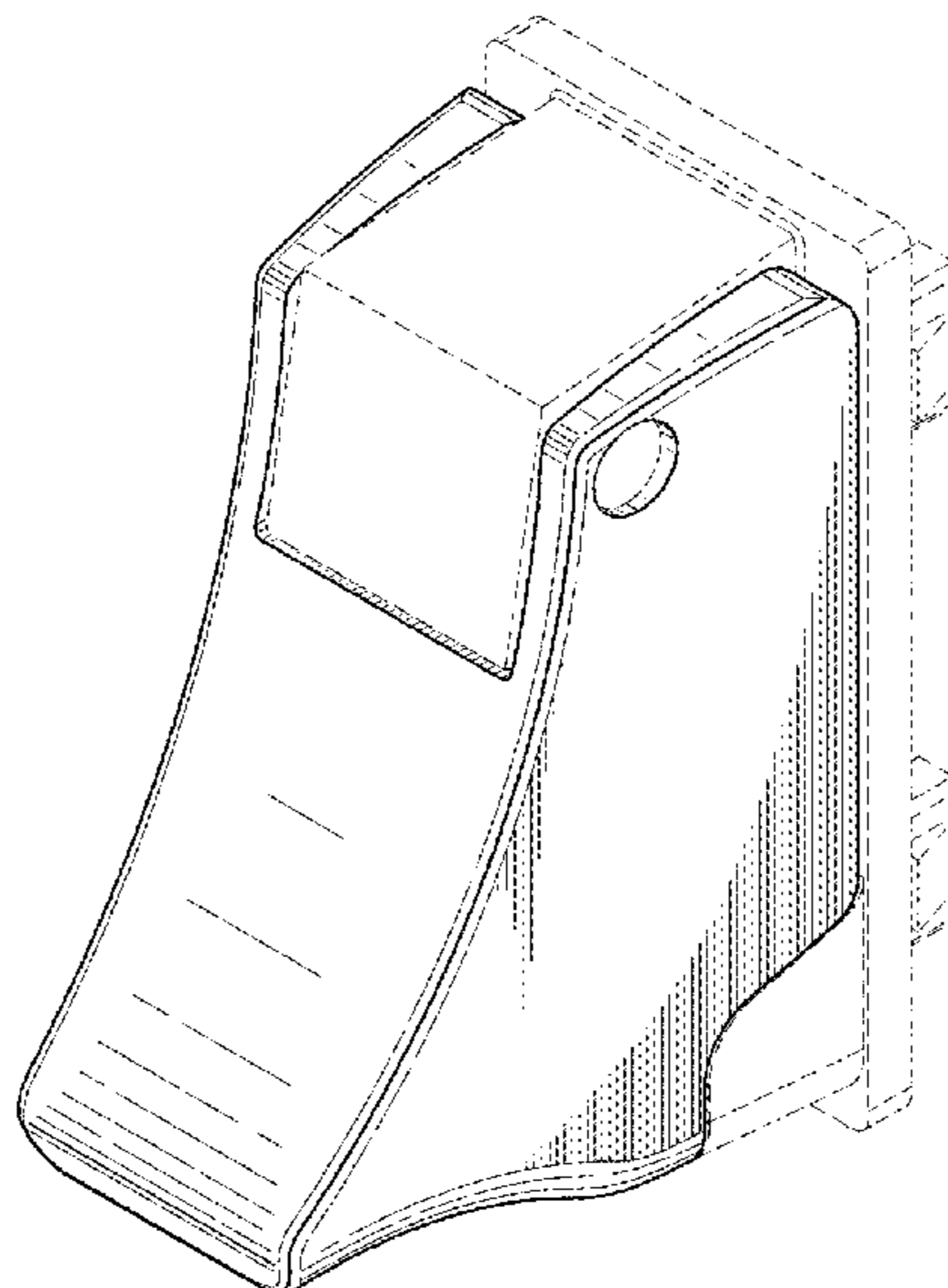
FIG. 5 is a front elevational view thereof;

FIG. 6 is a left side elevational view thereof; and,

FIG. 7 is a right side elevational view thereof.

The subject matter shown in phantom lines is hereby disclaimed and forms no part of the claimed invention.

1 Claim, 4 Drawing Sheets



(56)

References Cited

OTHER PUBLICATIONS

- “T440,” Kenworth Truck Company, Kirkland, Washington, 2010, 6-page brochure.
- “T470,” Kenworth Truck Company, Kirkland, Washington, 2010, 6-page brochure.
- “T470H,” Kenworth Truck Company, Kirkland, Washington, 2009, 2-page brochure.
- “T600, Ten Years of Innovation,” Kenworth Truck Company, Kirkland, Washington, 1995, 6-page brochure.
- “T600,” Kenworth Truck Company, Kirkland, Washington, 1996, 7-page brochure.
- “T600,” Kenworth Truck Company, Kirkland, Washington, 2002, 28-page brochure.
- “T600,” Kenworth Truck Company, Kirkland, Washington, 2005, 24-page brochure.
- “T600A,” Kenworth Truck Company, Kirkland, Washington, 1985, 10-page brochure.
- “T660,” Kenworth Truck Company, Kirkland, Washington, 2007, 36-page brochure.
- “T660,” Kenworth Truck Company, Kirkland, Washington, 2009, 36-page brochure.
- “T700,” Kenworth Truck Company, Kirkland, Washington, 2010, 6-page brochure.
- “T800,” Kenworth Truck Company, Kirkland, Washington, 1996, 7-page brochure.
- “T800,” Kenworth Truck Company, Kirkland, Washington, 2002, 32-page brochure.
- “T800,” Kenworth Truck Company, Kirkland, Washington, 2003, 32-page brochure.
- “T800,” Kenworth Truck Company, Kirkland, Washington, 2005, 28-page brochure.
- “T800,” Kenworth Truck Company, Kirkland, Washington, 2009, 28-page brochure.
- “T800B,” Kenworth Truck Company, Kirkland, Washington, 1993, 8-page brochure.
- “The Working Class,” Peterbilt Motors Company, Newark, California, Sep. 1976, 6-page brochure.
- “The World’s Best,” Kenworth Truck Company, Kirkland, Washington, 1992, 12-page brochure.
- “Unibilt™ Cab Sleeper System,” Peterbilt Motors Company, Denton Texas, Aug. 1994, 6-page brochure.
- “W900,” Kenworth Truck Company, Kirkland, Washington, 1996, 7-page brochure.
- “W900,” Kenworth Truck Company, Kirkland, Washington, 2002, 32-page brochure.
- “W900,” Kenworth Truck Company, Kirkland, Washington, 2005, 28-page brochure.
- “W900,” Kenworth Truck Company, Kirkland, Washington, 2009, 28-page brochure.
- “W900L Aero Cab,” Kenworth Truck Company, Kirkland, Washington, 1994, 2-page brochure.
- “AeroCab,” Kenworth Truck Company, Kirkland, Washington, 1993, 5-page brochure.
- “AeroCab,” Kenworth Truck Company, Kirkland, Washington, as early as 1995, 3-page brochure.
- “AG130 Front Air Suspension,” Kenworth Truck Company, Kirkland, Washington, 2008, 2-page brochure.
- “C500B,” Kenworth Truck Company, Kirkland, Washington, as early as 1990, 4-page brochure.
- “Cabovers,” Peterbilt Motors Company, Newark, California, as early as 2000, 7-page brochure.
- “Class Pays, Construction Trucks,” Peterbilt Motors Company, Denton, Texas, Nov. 2003, 6-page brochure.
- “Class Pays, Ergonomic Dash,” Peterbilt Motors Company, Denton, Texas, Mar. 2000, 2-page brochure.
- “Class Pays, Medium Duty,” Peterbilt Motors Company, Denton, Texas, Sep. 2000, 12-page brochure.
- “Class Pays, Platinum Interior,” Peterbilt Motors Company, Denton, Texas, May 2005, 4-page brochure.
- “Class Pays, Refuse Trucks,” Peterbilt Motors Company, Denton, Texas, Sep. 2003, 2-page brochure.
- “Class Pays, Truck Models,” Peterbilt Motors Company, Denton, Texas, Mar. 2005, 24-page brochure.
- “Class Pays,” Peterbilt Motors Company, Denton, Texas, Nov. 1998, 10-page brochure.
- “Class Pays,” Peterbilt Motors Company, Denton, Texas, Sep. 1997, 10-page brochure.
- “Construction Trucks,” Canadian Kenworth Truck, Mississauga, Ontario, Canada, Jul. 1990, 16-page brochure.
- “Interiors,” Kenworth Truck Company, Kirkland, Washington, 2005, 16-page brochure.
- “Kenworth Truck Models,” Kenworth Truck Company, Kirkland, Washington, 2010, 16-page brochure.
- “K100E,” Kenworth Truck Company, Kirkland, Washington, 1984, 8-page brochure.
- “Model 320,” Peterbilt Motors Company, Denton, Texas, May 1996, 2-page brochure.
- “Model 330,” Peterbilt Motors Company, Denton, Texas, Oct. 1997, 3-page brochure.
- “Model 357 Heavy Haul,” Peterbilt Motors Company, Denton, Texas, Mar. 2005, 2-page brochure.
- “Model 357 Standard Specifications,” Peterbilt Motors Company, Newark, California, Sep. 1986, 6-page brochure.
- “Model 357, New Sloped Hood,” Peterbilt Motors Company, Denton, Texas, May 2002, 2-page brochure.
- “Model 357,” Peterbilt Motors Company, Denton, Texas, May 1994, 3-page brochure.
- “Model 357-115,” Peterbilt Motors Company, Denton, Texas, Mar. 2005, 2-page brochure.
- “Model 362,” Peterbilt Motors Company, Newark, California, 1985, 8-page brochure.
- “Model 375 Standard Specifications,” Peterbilt Motors Company, Newark, California, Sep. 1986, 6-page brochure.
- “Model 377A/E,” Peterbilt Motors Company, Denton, Texas, Aug. 1997, 2-page brochure.
- “Model 377A/E,” Peterbilt Motors Company, Denton, Texas, Jan. 1995, 6-page brochure.
- “Model 378,” Peterbilt Motors Company, Denton, Texas, Mar. 1998, 3-page brochure.
- “Model 379,” Peterbilt Motors Company, Denton, Texas, Apr. 2005, 2-page brochure.
- “Model 379,” Peterbilt Motors Company, Denton, Texas, Mar. 1996, 5-page brochure.
- “Model 385,” Peterbilt Motors Company, Denton, Texas, Oct. 1996, 5-page brochure.
- “Model 387,” Peterbilt Motors Company, Denton, Texas, Oct. 2002, 2-page brochure.
- “Paccar Engines, 2010 Medium Duty Engines,” Paccar Inc, Bellevue, Washington, 2010, 6-page brochure.
- “Paccar MX,” Paccar Inc, Bellevue, Washington, 2010, 4-page brochure.
- “Peterbilt Parts & Accessories,” Peterbilt Motors Company, Denton, Texas, catalog, as early as 2000, 52-page brochure.
- “Rest with Class,” Peterbilt Motors Company, Newark, California, Apr. 1978, 4-page brochure.
- “Studio Sleeper,” Kenworth Truck Company, Kirkland, Washington, 1993, 5-page brochure.
- “T170 Class 5,” Kenworth Truck Company, Kirkland, Washington, 2008, 4-page brochure.
- “T2000,” Kenworth Truck Company, Kirkland, Washington, 1999, 20-page brochure.
- “T2000,” Kenworth Truck Company, Kirkland, Washington, 2002, 20-page brochure.
- “T2000,” Kenworth Truck Company, Kirkland, Washington, 2005, 20-page brochure.
- “T270 Class 6 and T370 Class 7,” Kenworth Truck Company, Kirkland, Washington, 2008, 6-page brochure.
- “1270 Class 6 and T370 Class 7,” Kenworth Truck Company, Kirkland, Washington, 2009, 6-page brochure.
- “T270 Class 6 and T370 Class 7 Hybrid,” Kenworth Truck Company, Kirkland, Washington, 2009, 6-page brochure.

US D690,659 S

Page 3

“T300,” Kenworth Truck Company, Kirkland, Washington, 1994, 4-page brochure.

“T300,” Kenworth Truck Company, Kirkland, Washington, 1997, 5-page brochure.

“T300,” Kenworth Truck Company, Kirkland, Washington, 2001, 16-page brochure.

“T300,” Kenworth Truck Company, Kirkland, Washington, 2005, 16-page brochure.

“T400B and T450B,” Kenworth Truck Company, Kirkland, Washington, 1992, 10-page brochure.

* cited by examiner

Fig. 1.

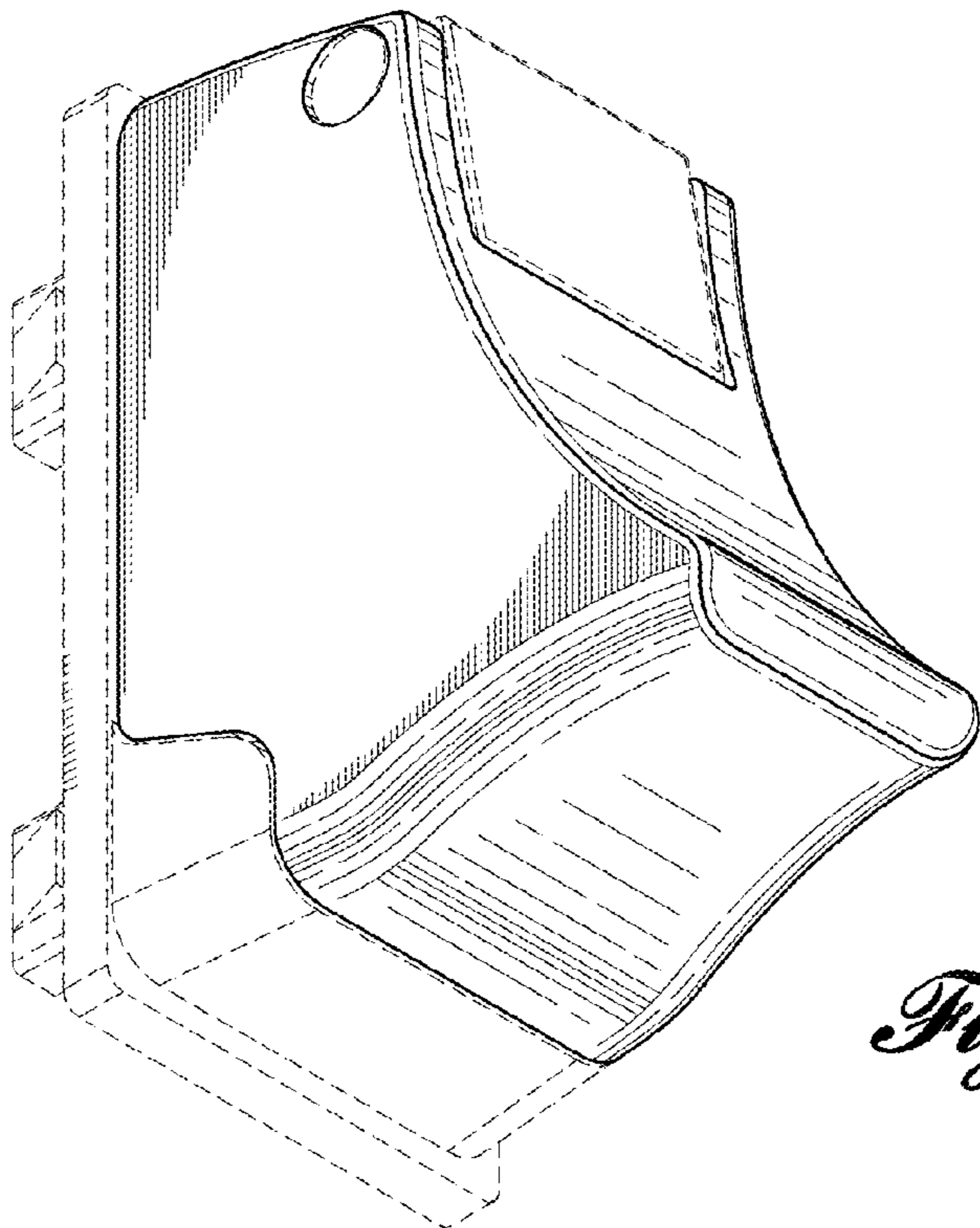
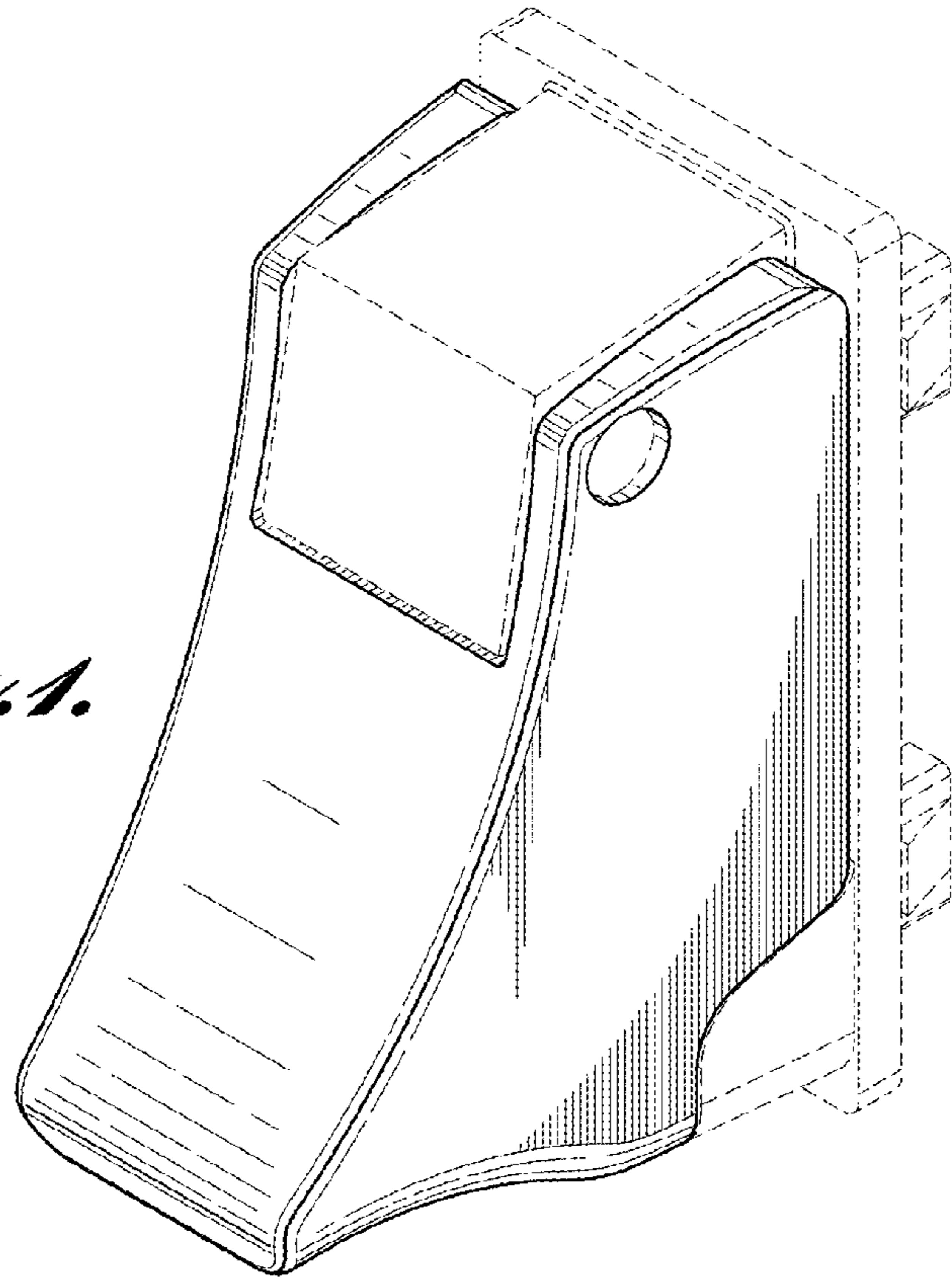


Fig. 2.

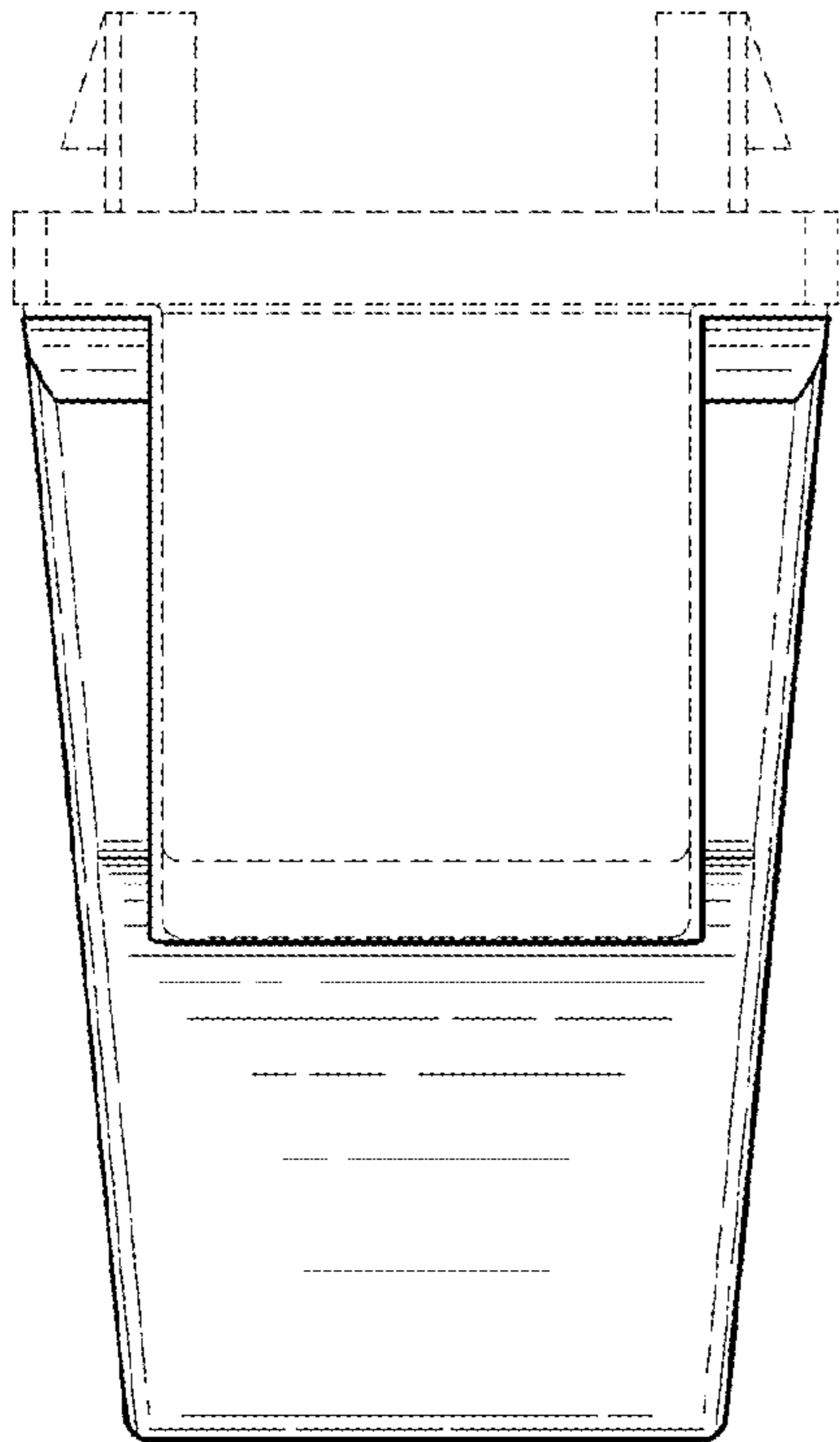


Fig. 3.

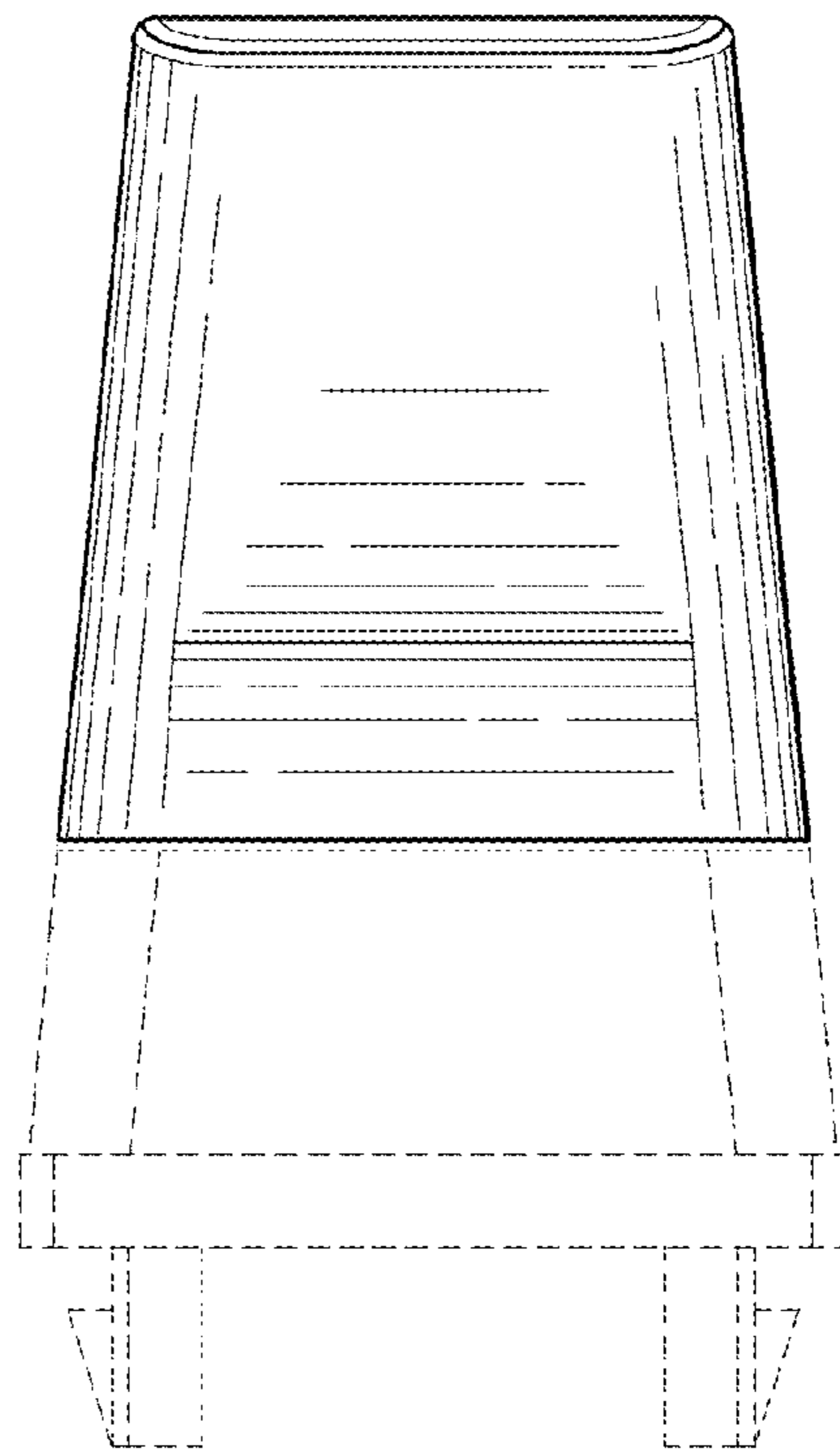


Fig. 4.

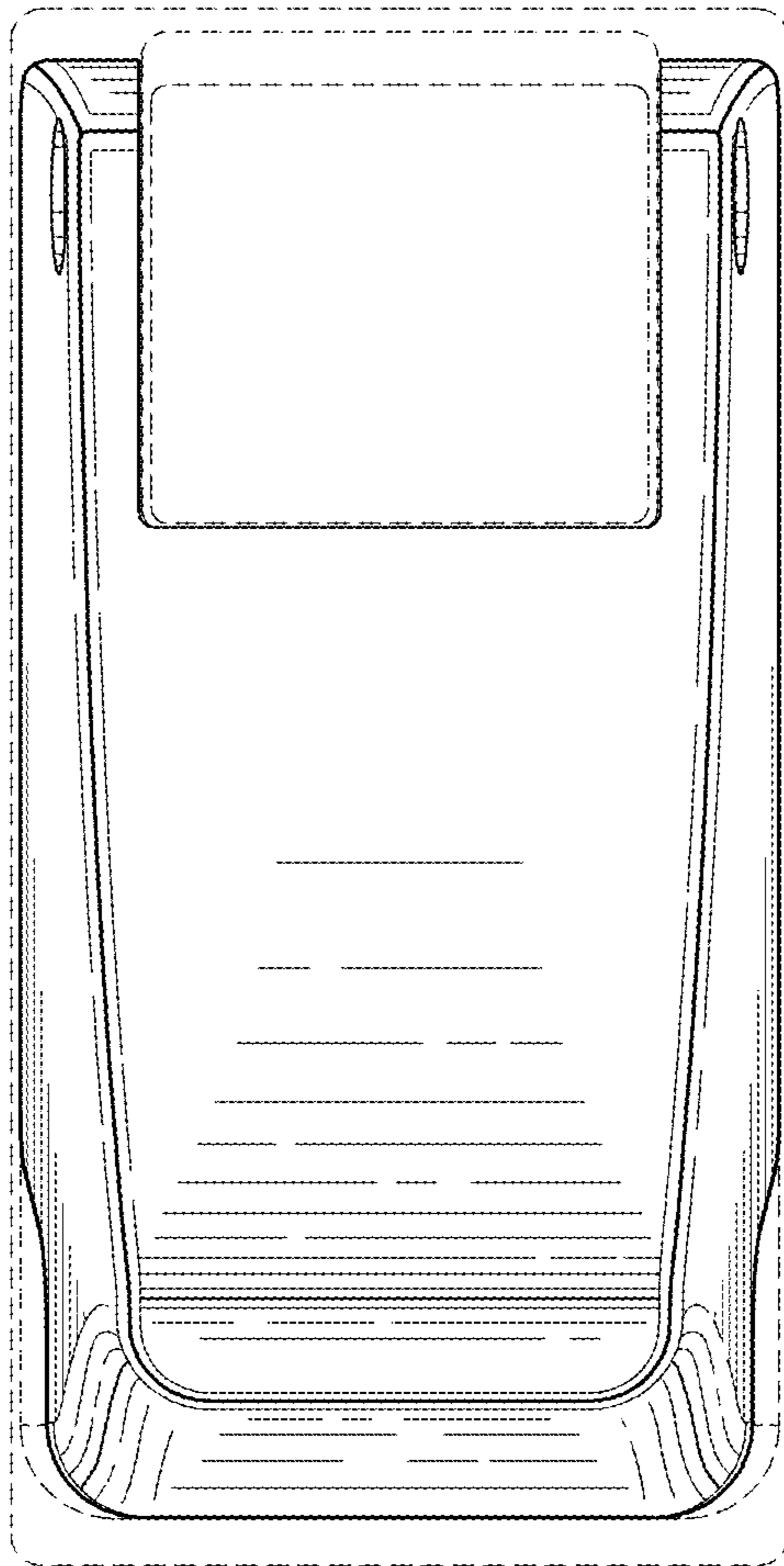


Fig. 5.

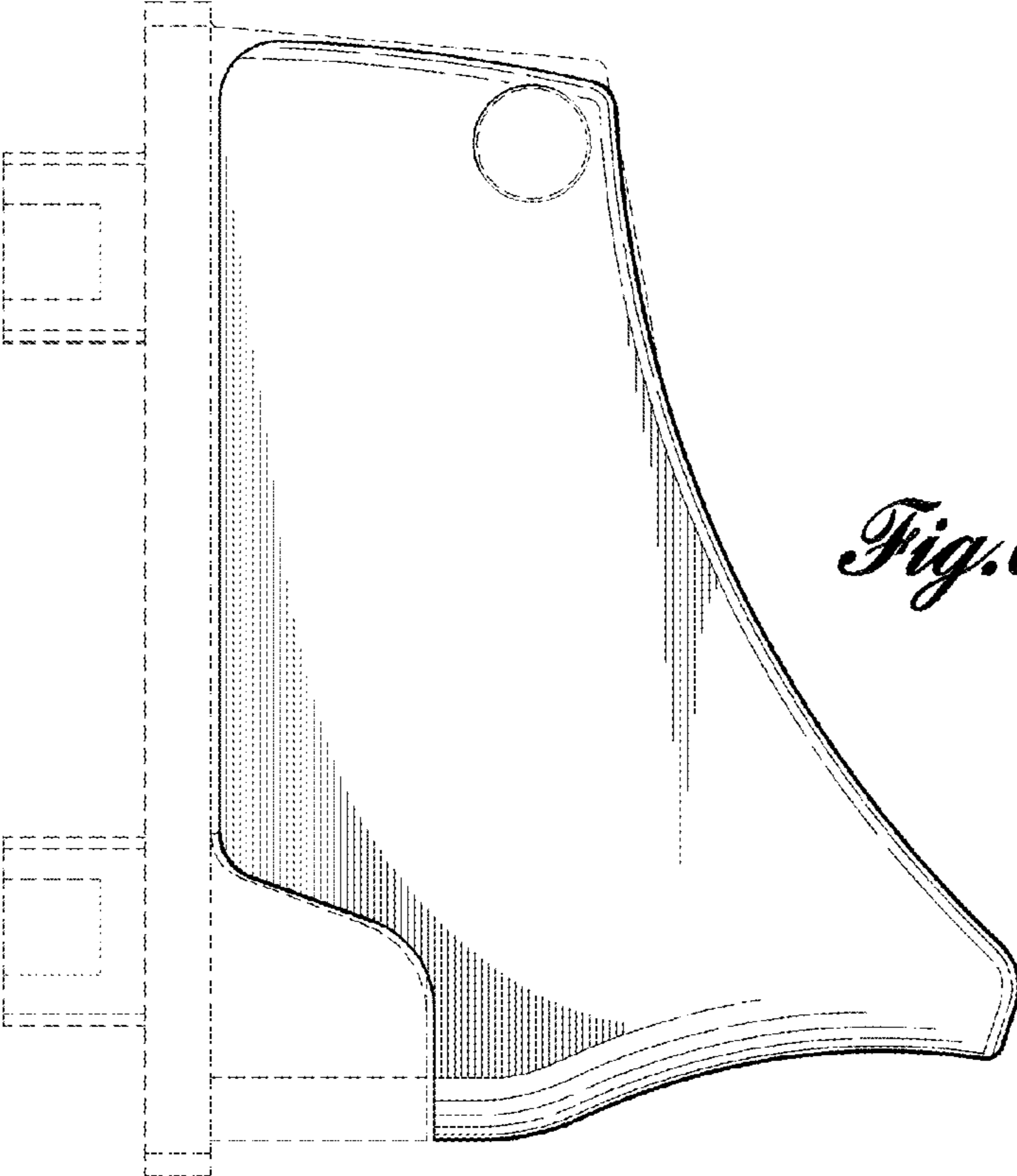


Fig. 6.

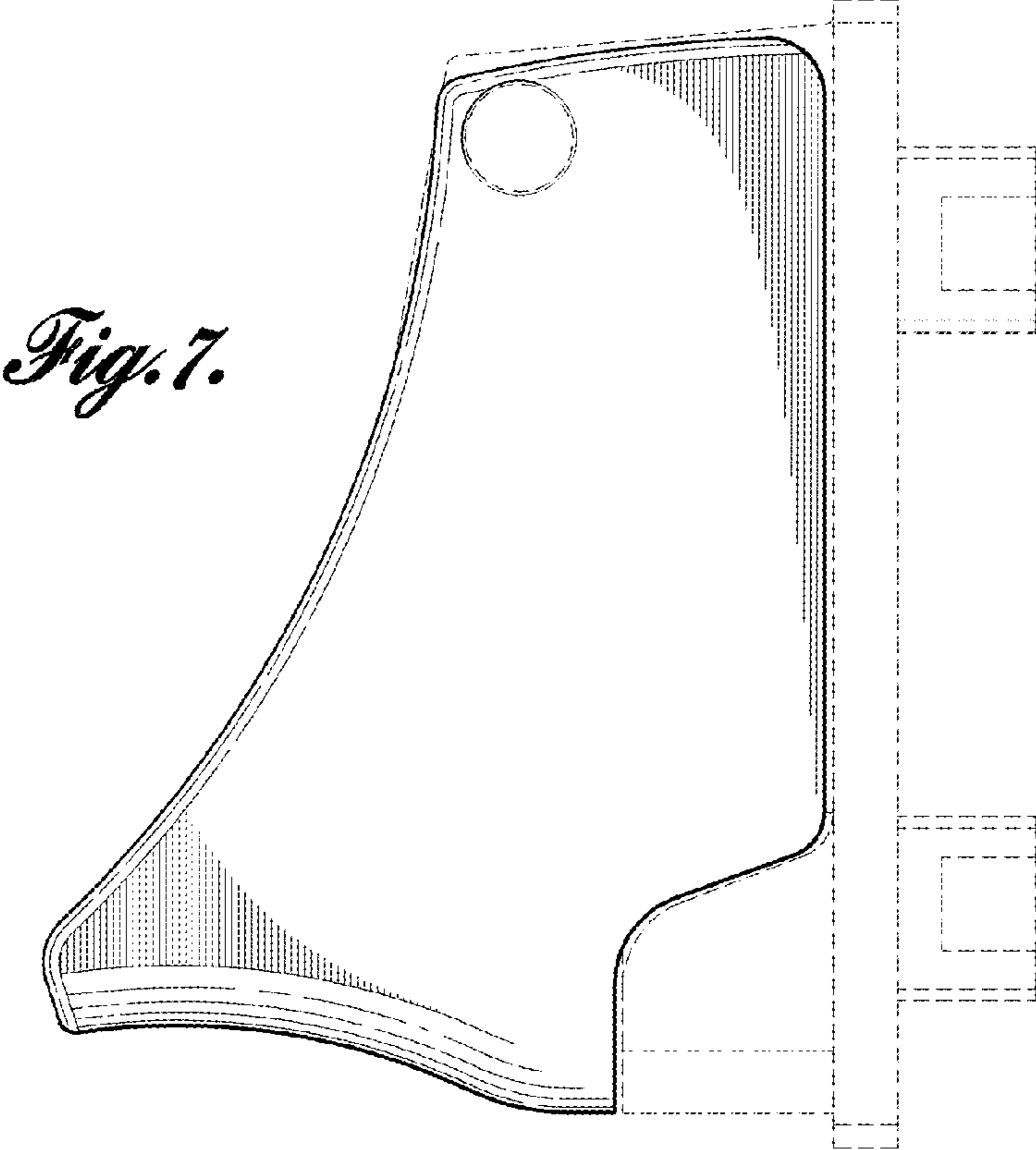


Fig. 7.