

US00D690658S

(12) **United States Design Patent**
Takahashi

(10) **Patent No.:** **US D690,658 S**

(45) **Date of Patent:** **** Oct. 1, 2013**

(54) **ELECTRIC CONNECTOR**

(75) Inventor: **Kei Takahashi**, Tokyo (JP)

(73) Assignee: **Sony Computer Entertainment Inc.**,
Tokyo (JP)

(**) Term: **14 Years**

(21) Appl. No.: **29/371,930**

(22) Filed: **Jan. 30, 2012**

(30) **Foreign Application Priority Data**

Aug. 16, 2011 (JP) D2011-018661

(51) **LOC (9) Cl.** **13-03**

(52) **U.S. Cl.**
USPC **D13/154**

(58) **Field of Classification Search**
USPC D13/133, 146-147, 154, 156, 184;
439/180, 252, 278, 280, 374, 375, 378, 488,
439/489, 491, 527, 529, 533, 892, 894, 607.01,
439/607.04, 607.05, 607.06, 607.17, 607.21,
439/607.23, 607.25, 607.34, 607.41, 607.53,
439/660

See application file for complete search history.

(56) **References Cited**

U.S. PATENT DOCUMENTS

D303,787 S * 10/1989 Messenger et al. D13/156
D339,105 S * 9/1993 Manaka et al. D13/120

D381,629 S 7/1997 Goto
D449,275 S 10/2001 Goto
D500,735 S * 1/2005 Shirae et al. D13/133
D532,410 S 11/2006 Shimizu
D571,296 S * 6/2008 Kuo et al. D13/147
D579,880 S * 11/2008 Birmingham et al. D13/154
D651,211 S * 12/2011 Lee et al. D14/435.1
D655,295 S * 3/2012 Lee et al. D14/435.1

* cited by examiner

Primary Examiner — Thomas Johannes

(74) *Attorney, Agent, or Firm* — Rader, Fishman & Grauer
PLLC

(57) **CLAIM**

The ornamental design for an electric connector, as shown
and described.

DESCRIPTION

FIG. 1 is a front, top, right perspective view of an electric
connector showing my new design;
FIG. 2 is a rear, bottom, right perspective view thereof;
FIG. 3 is a front elevational view thereof;
FIG. 4 is a rear elevational view thereof;
FIG. 5 is a left side elevational view thereof;
FIG. 6 is a right side elevational view thereof; and,
FIG. 7 is a top plan view thereof.
Portions in broken lines are for illustrative purposes only and
form no part of the claimed design.

1 Claim, 6 Drawing Sheets

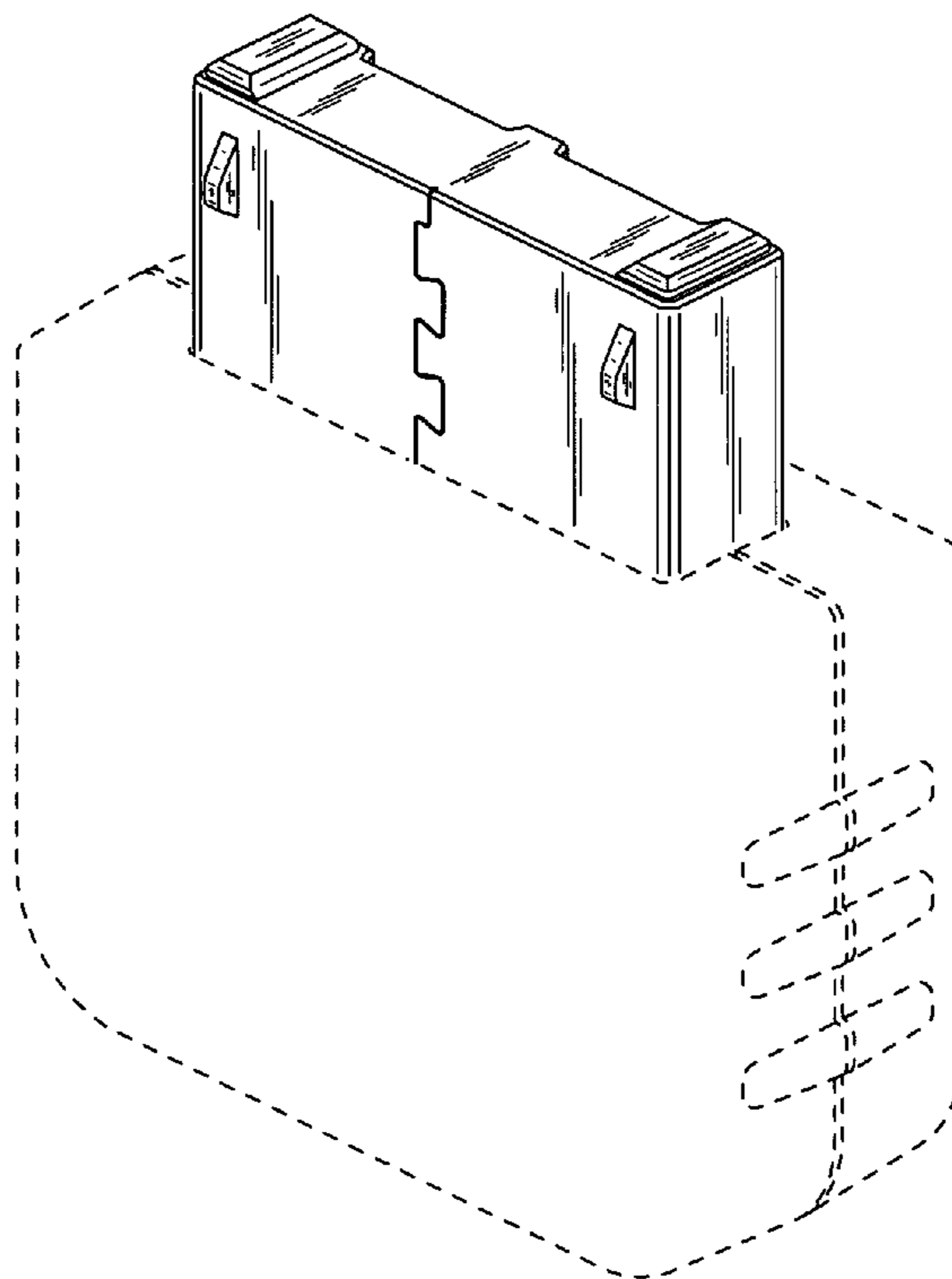


FIG.1

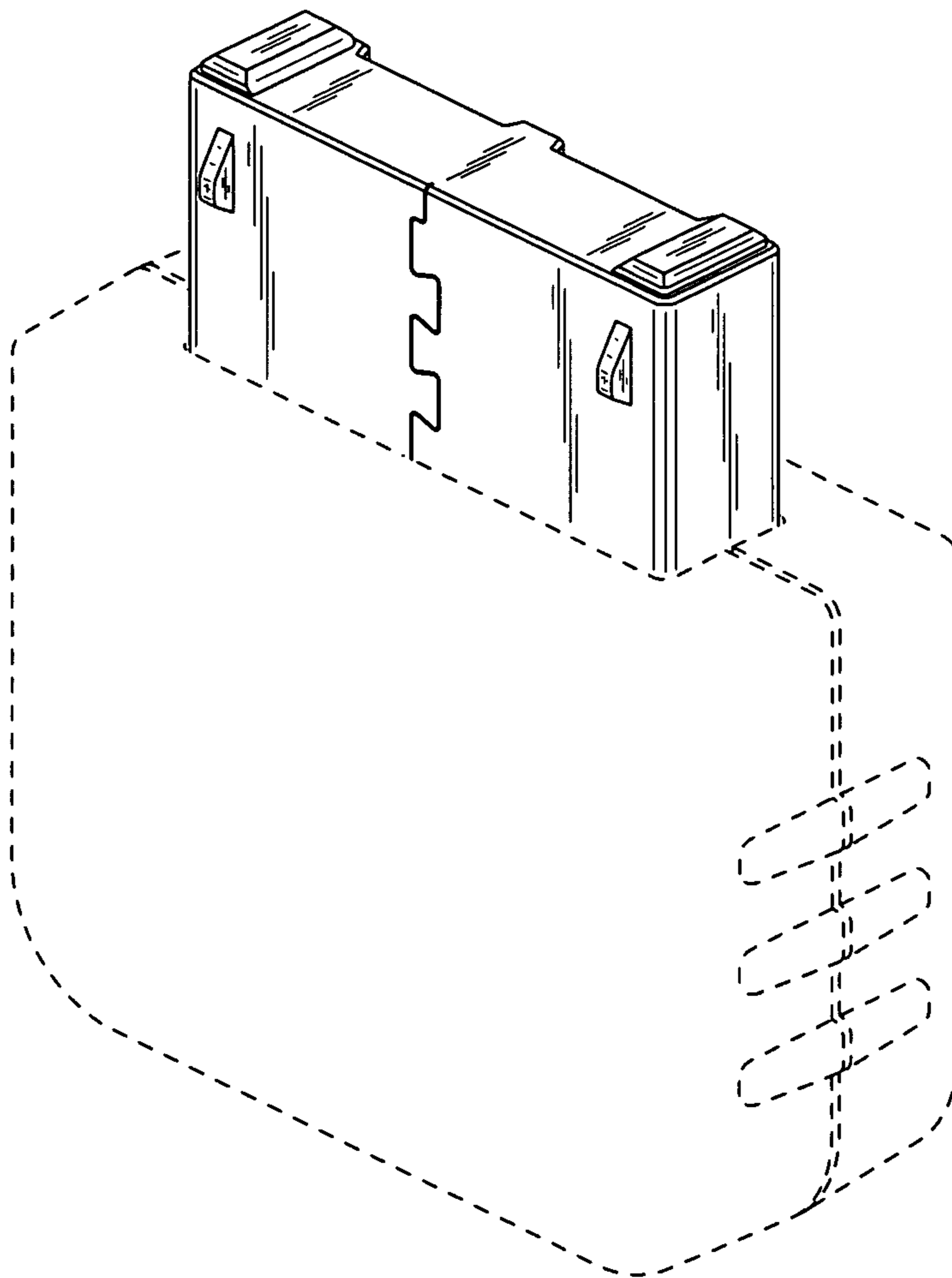


FIG.2

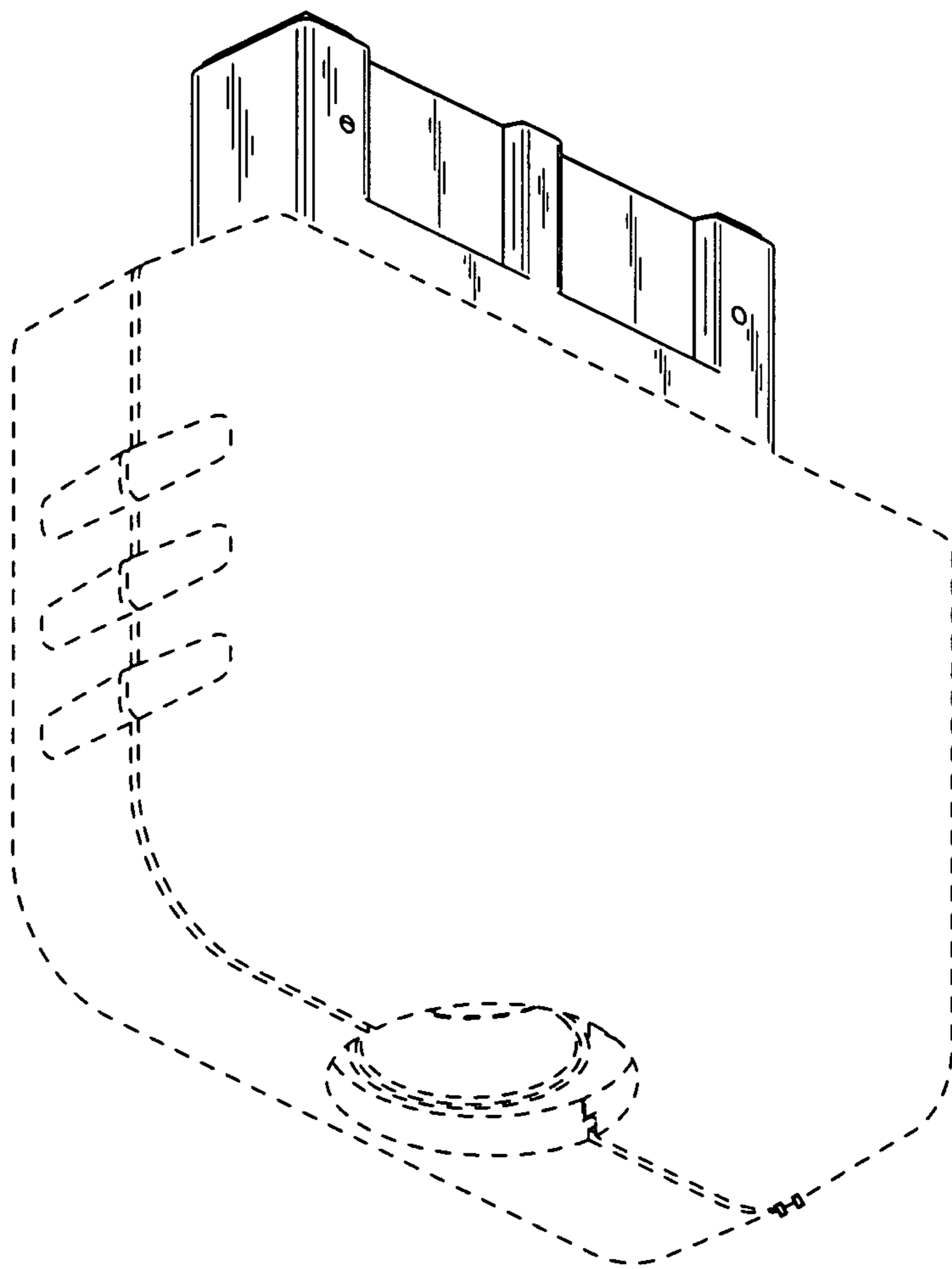


FIG.3

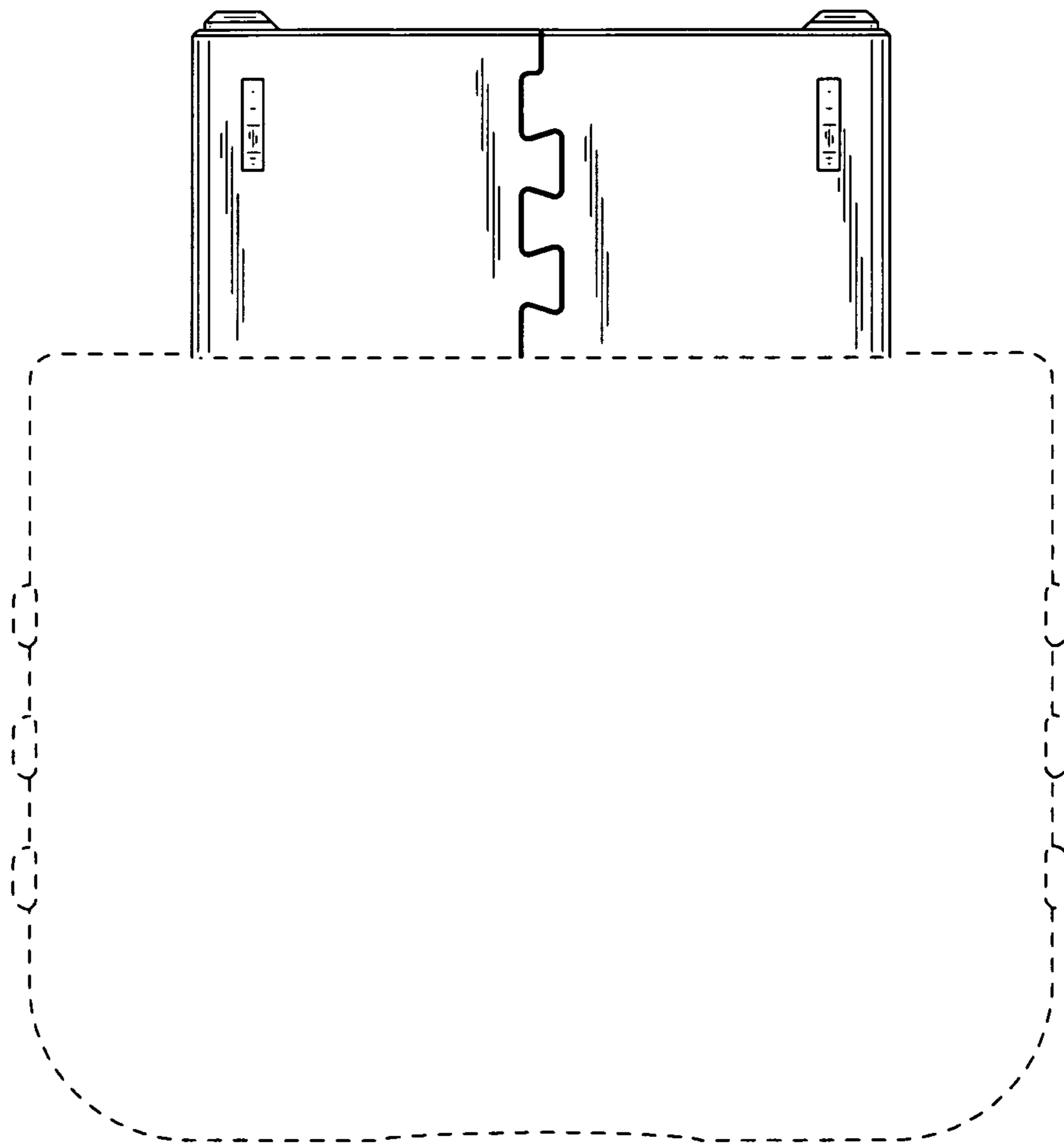


FIG.4

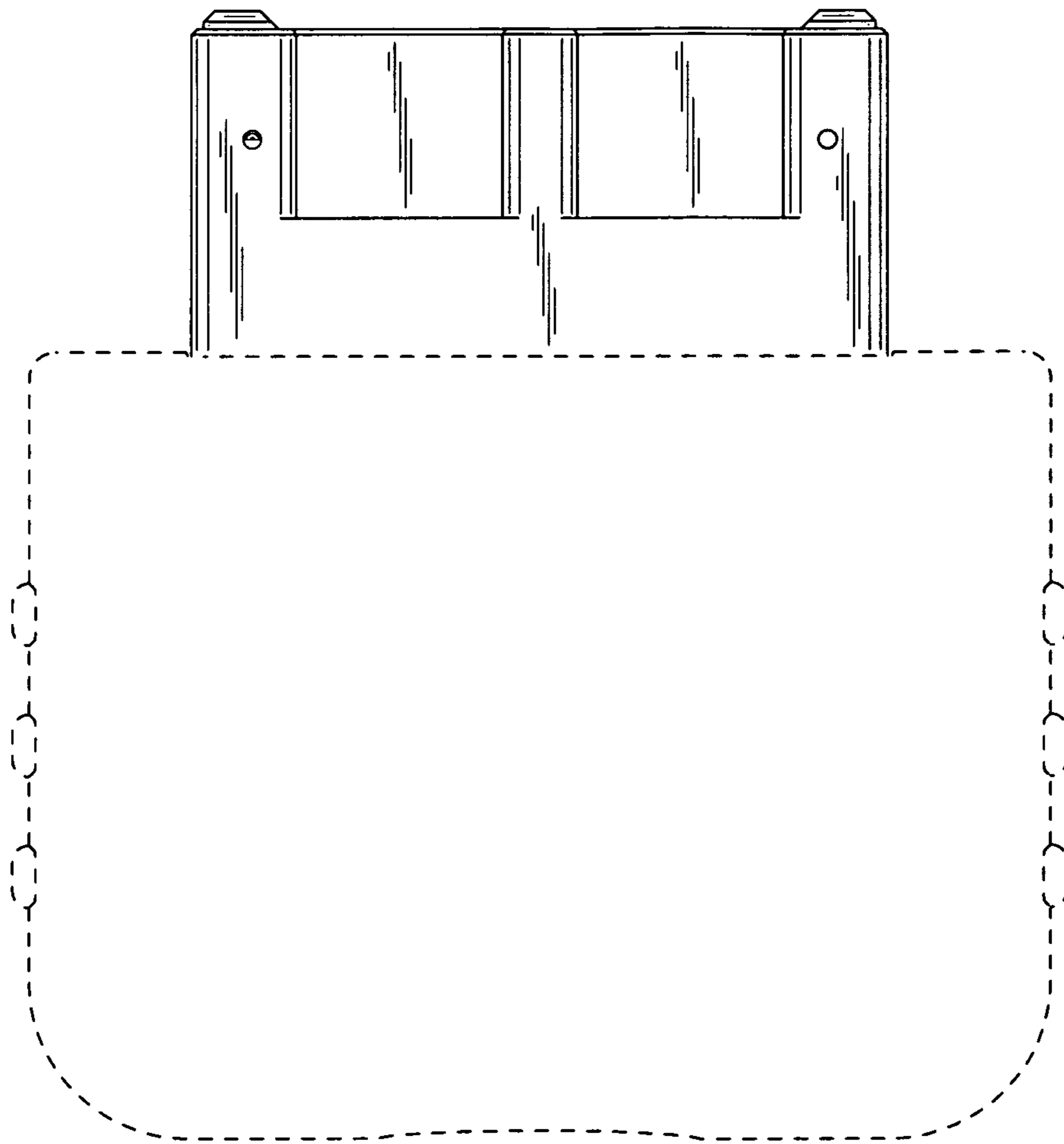


FIG.5

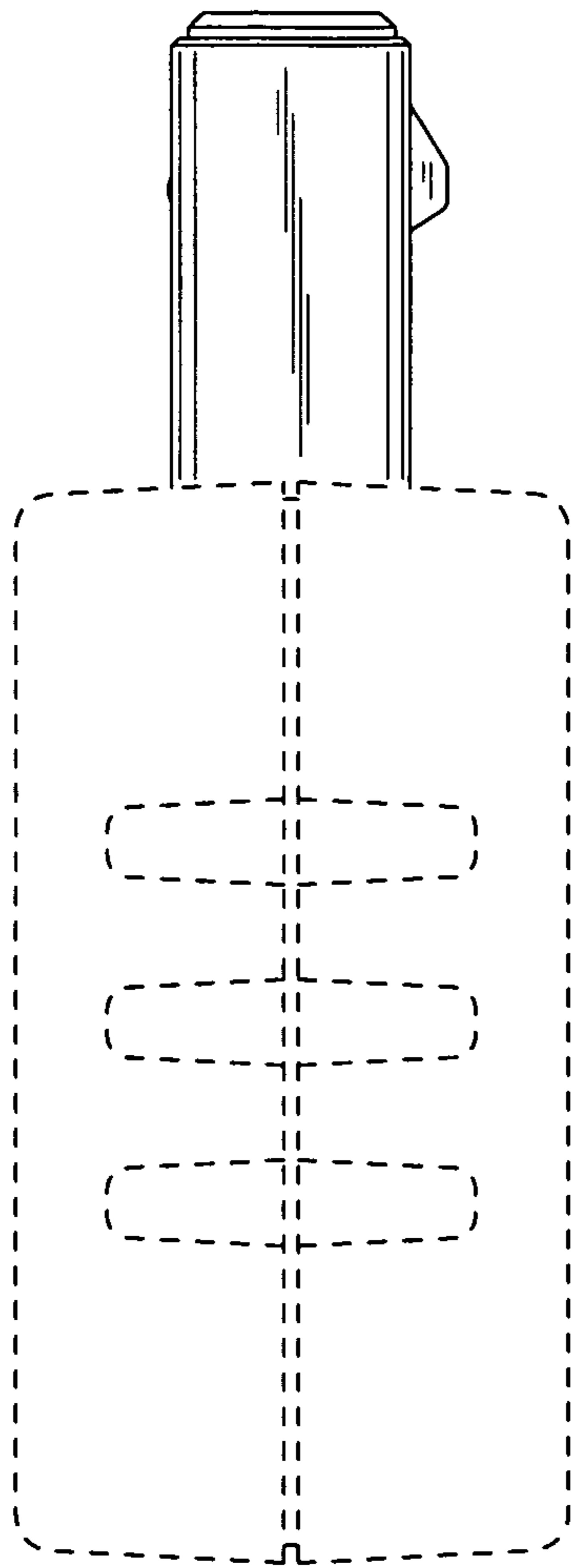


FIG.6

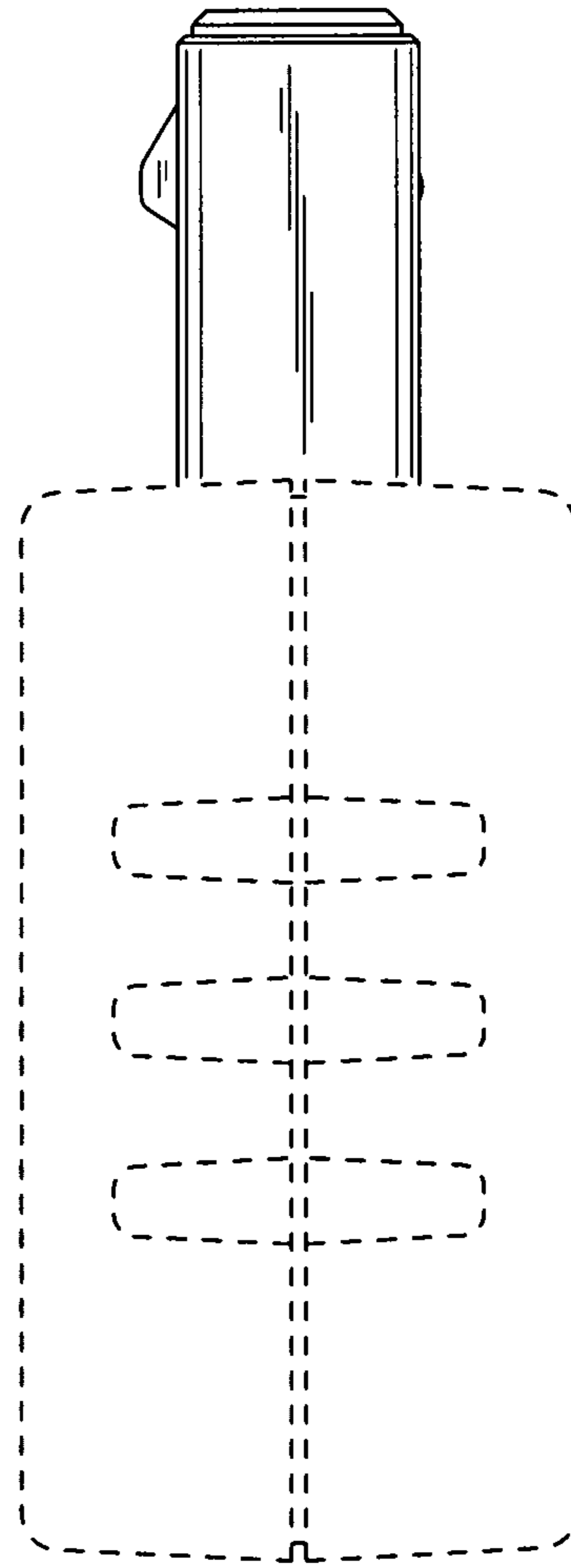


FIG.7

