



US00D690657S

(12) **United States Design Patent**
Smith

(10) **Patent No.:** **US D690,657 S**
(45) **Date of Patent:** **** Oct. 1, 2013**

- (54) **OFFSET NIPPLE ELECTRICAL FITTING**
- (71) Applicant: **Bridgeport Fittings, Inc.**, Stratford, CT (US)
- (72) Inventor: **Lawrence J. Smith**, Stamford, CT (US)
- (73) Assignee: **Bridgeport Fittings, Inc.**, Stratford, CT (US)

D373,568	S	*	9/1996	Bloom et al.	D13/133
6,114,631	A	*	9/2000	Gretz	174/651
D461,448	S	*	8/2002	Amin	D13/133
D499,071	S	*	11/2004	Conway et al.	D13/133
D549,179	S	*	8/2007	Amidon	D13/151
7,350,832	B1	*	4/2008	Kiely	285/354
7,394,021	B2	*	7/2008	Magno, Jr.	174/59
D659,098	S	*	5/2012	Svelnis et al.	D13/151
D659,100	S	*	5/2012	Deiss	D13/151
2004/0046386	A1	*	3/2004	Chien et al.	285/276
2008/0053680	A1	*	3/2008	Kiely et al.	174/70 R

(**) Term: **14 Years**

* cited by examiner

(21) Appl. No.: **29/444,876**

Primary Examiner — Derrick Holland

(22) Filed: **Feb. 5, 2013**

(74) *Attorney, Agent, or Firm* — Ware, Fressola, Maguire & Barber, LLP

(51) **LOC (9) Cl.** **13-03**

(57) **CLAIM**

(52) **U.S. Cl.**
USPC **D13/151**

The ornamental design for an offset nipple electrical fitting, as shown and described.

(58) **Field of Classification Search**
USPC D13/151, 133, 146, 147, 154, 184,
D13/199; 439/314–322, 680, 752
See application file for complete search history.

DESCRIPTION

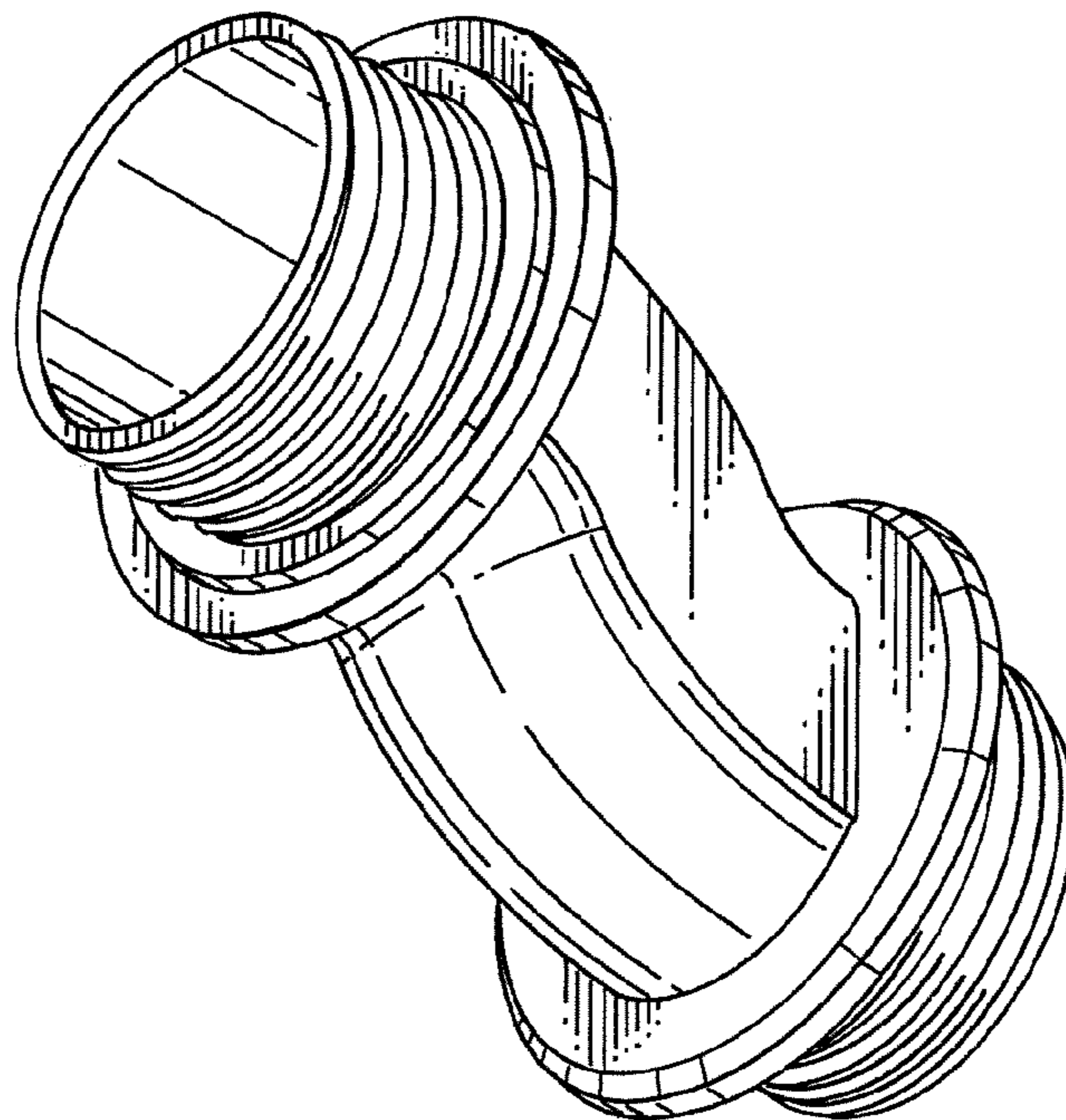
(56) **References Cited**

FIG. 1 is a front perspective view of the offset nipple electrical fitting.
FIG. 2 is a left side view of the offset nipple electrical fitting, the right side view being a mirror image thereof.
FIG. 3 is a bottom view of the offset nipple electrical fitting, the top view being a mirror image thereof.
FIG. 4 is a front view of the offset nipple electrical fitting; and,
FIG. 5 is a rear view of the offset nipple electrical fitting.

U.S. PATENT DOCUMENTS

D52,954	S	*	2/1919	Hubbard et al.	D13/155
3,000,424	A	*	9/1961	Weise	72/369
D275,848	S	*	10/1984	Ricossa	D13/133
D322,954	S	*	1/1992	Avramovich	D13/133

1 Claim, 1 Drawing Sheet



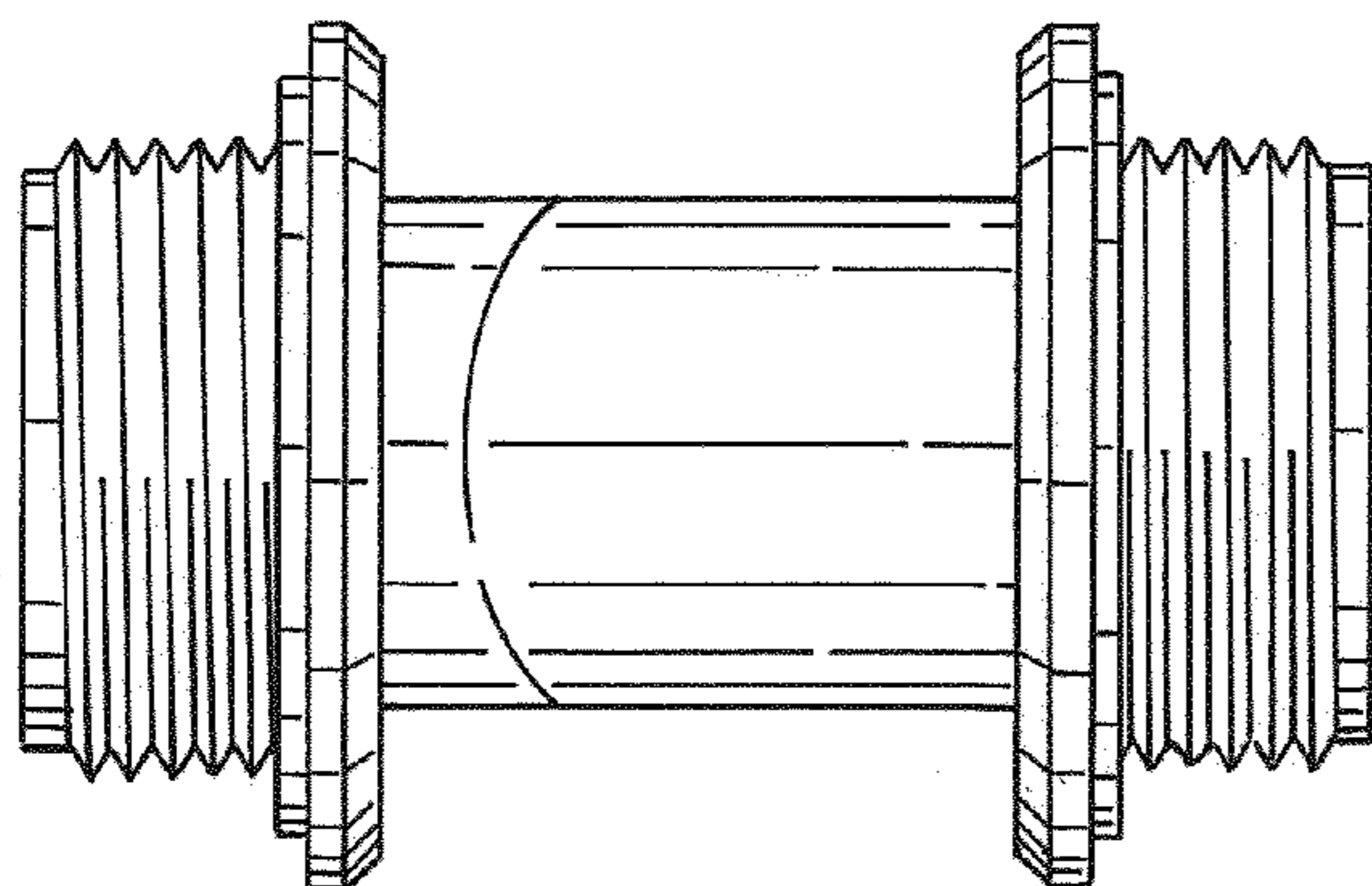
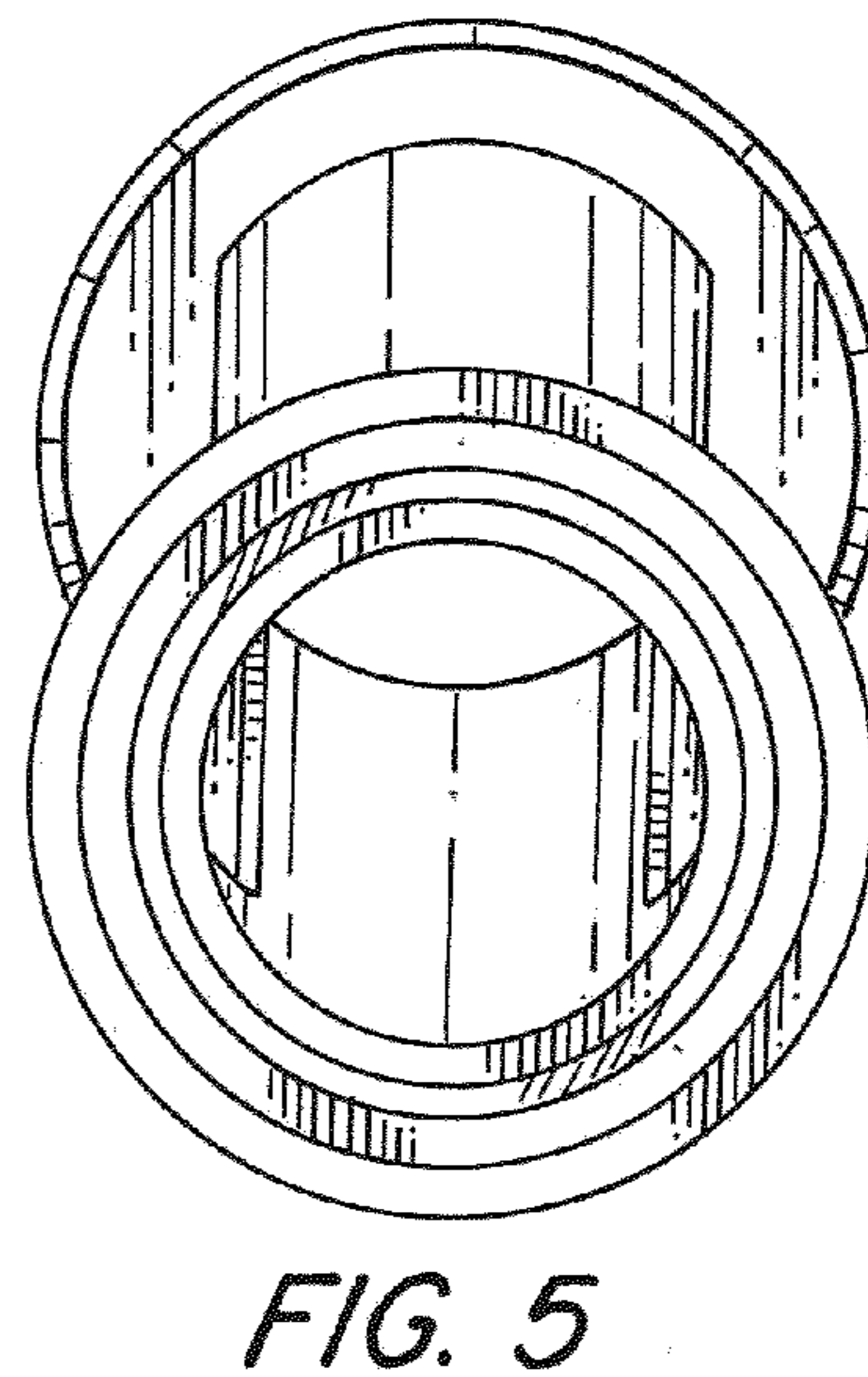
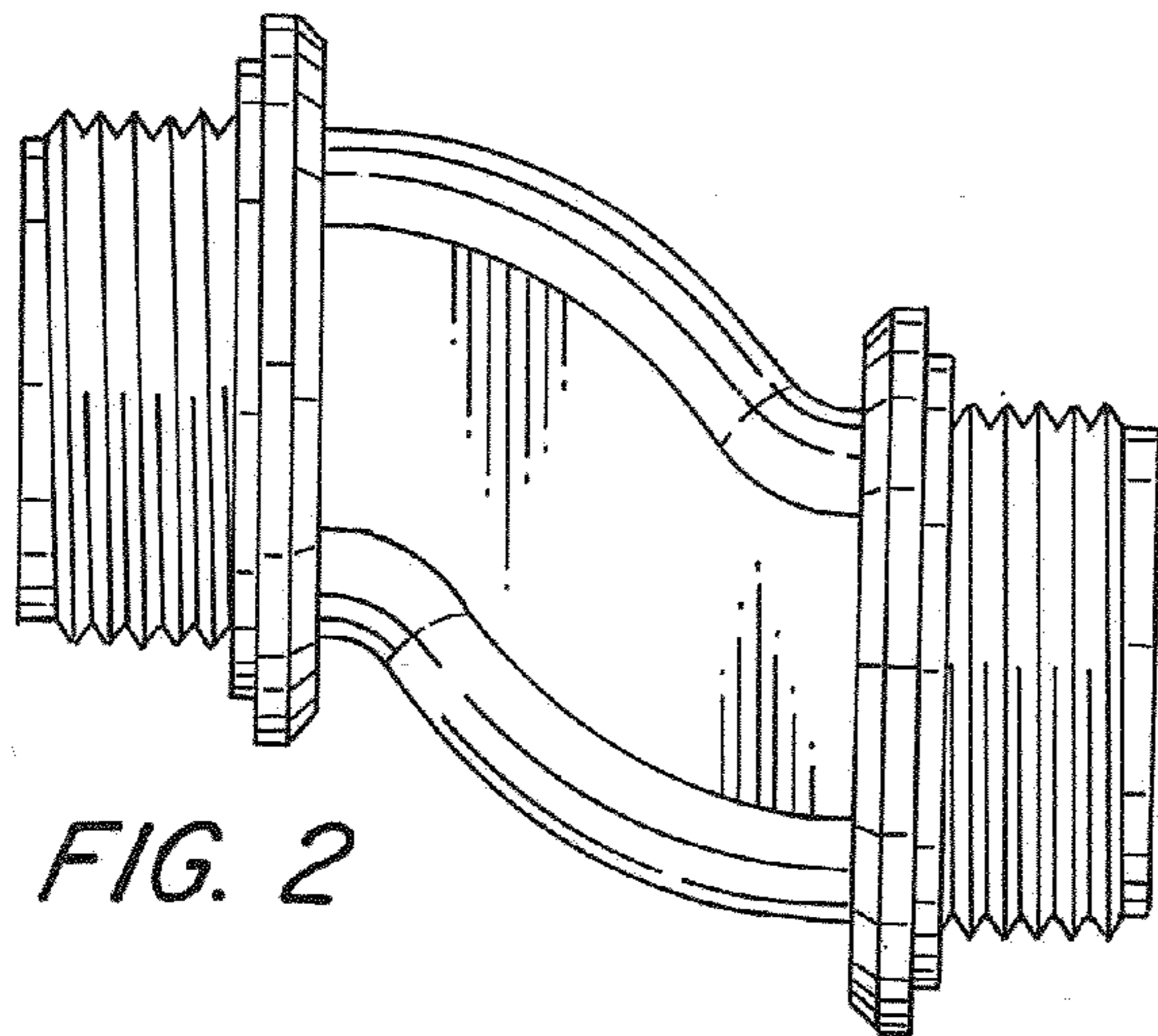
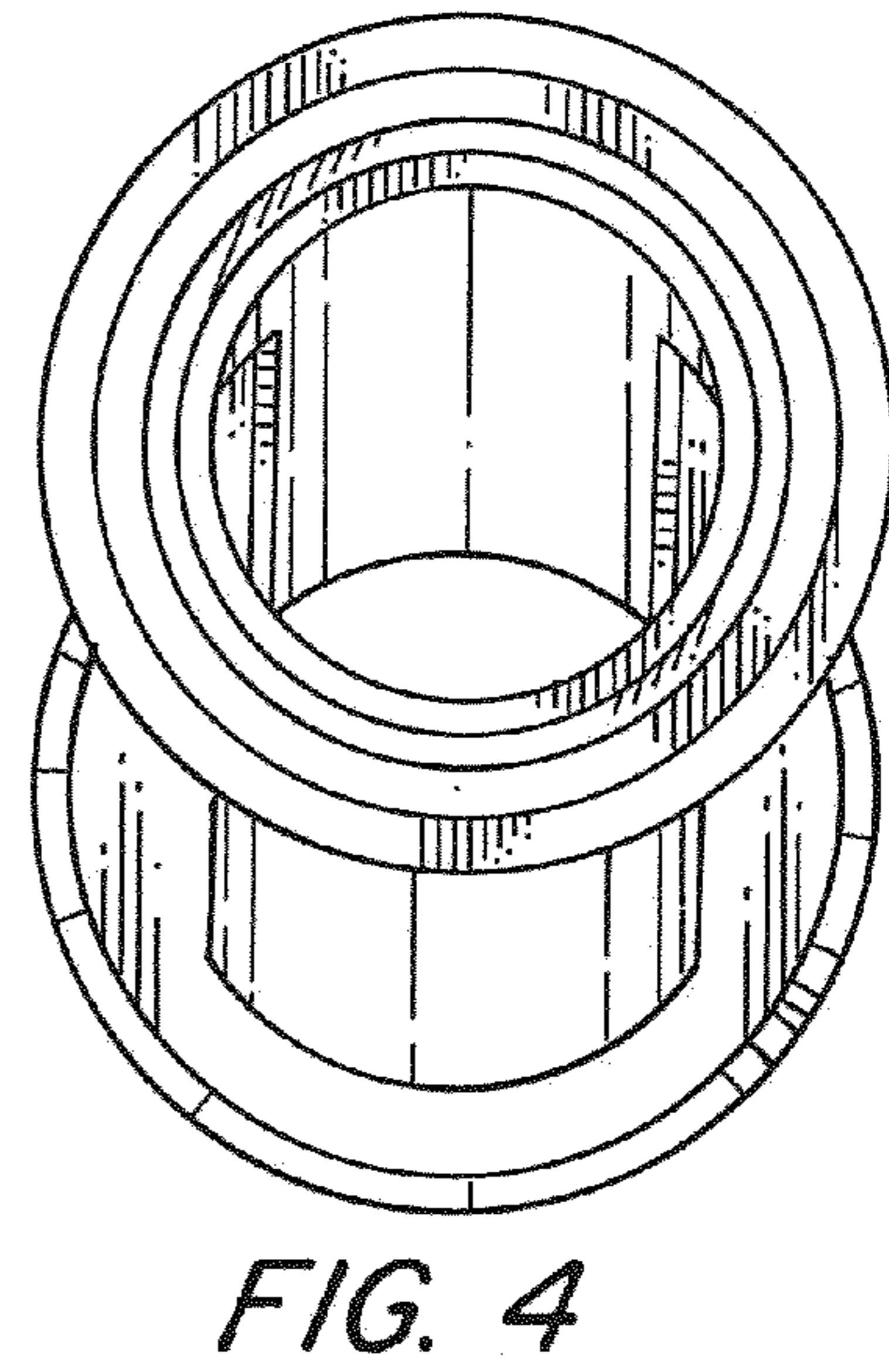
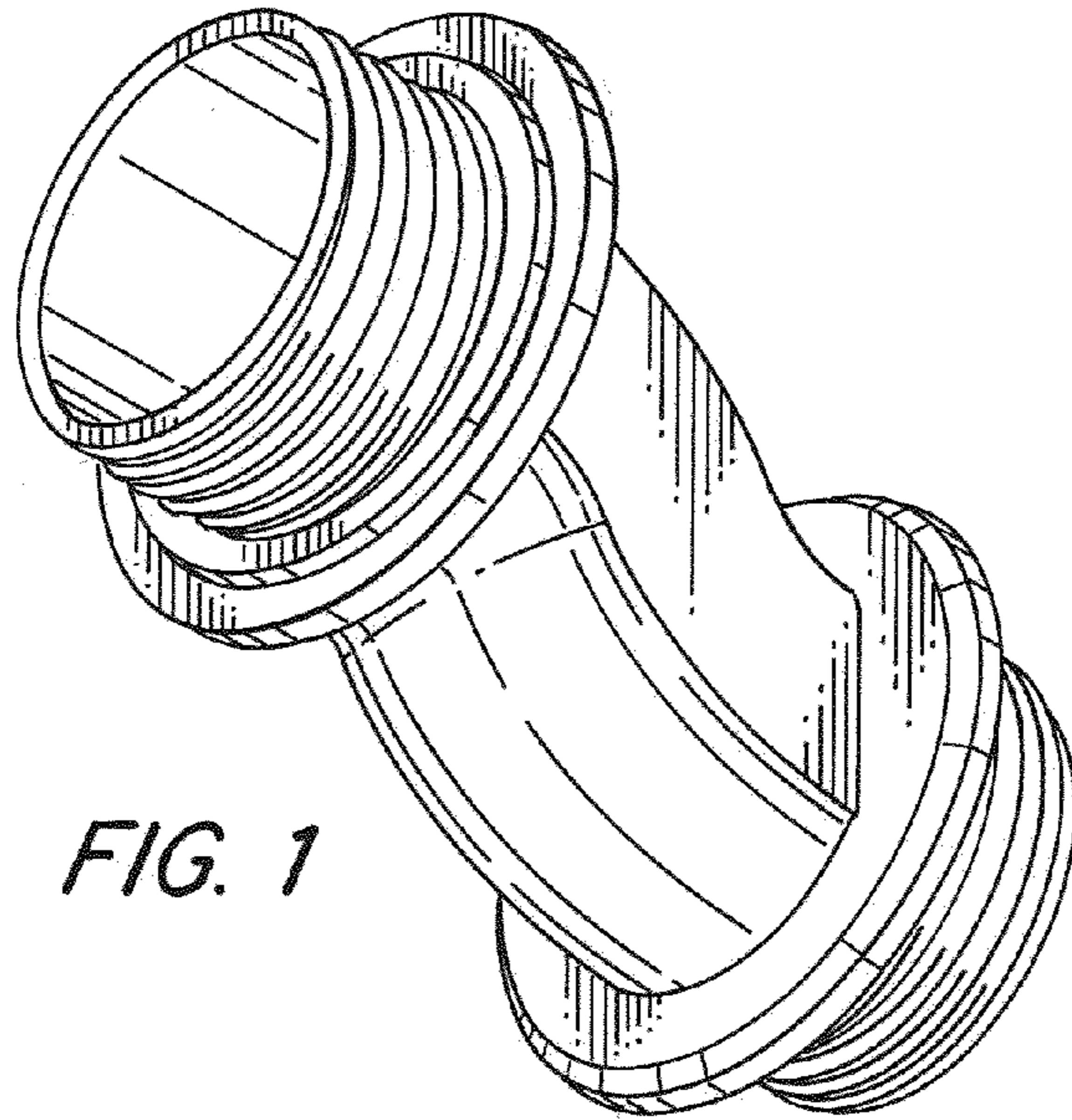


FIG. 3