



US00D690656S

(12) **United States Design Patent**
Takemoto

(10) **Patent No.:** **US D690,656 S**
(45) **Date of Patent:** **** Oct. 1, 2013**

(54) **ELECTRICAL CONNECTOR**

(71) Applicant: **Dai-Ichi Seiko Co., Ltd.**, Kyoto (JP)

(72) Inventor: **Masatoshi Takemoto**, Tokyo (JP)

(73) Assignee: **Dai-Ichi Seiko Co., Ltd.** (JP)

(**) Term: **14 Years**

(21) Appl. No.: **29/436,627**

(22) Filed: **Nov. 7, 2012**

(30) **Foreign Application Priority Data**

May 21, 2012 (JP) 2012-011818

(51) **LOC (9) Cl.** **13-03**

(52) **U.S. Cl.**
USPC **D13/147**

(58) **Field of Classification Search**
USPC D13/120, 133, 147, 154, 184, 199;
439/78-79, 83, 108, 181, 607.01, 607.04,
439/607.05, 607.17, 607.25, 607.34, 74,
439/607.41, 607.53, 630, 660
See application file for complete search history.

(56) **References Cited**

U.S. PATENT DOCUMENTS

D451,884 S * 12/2001 Hisatomi et al. D13/147
D539,225 S * 3/2007 Kishi et al. D13/147
D562,247 S * 2/2008 Matsuzaki et al. D13/147

FOREIGN PATENT DOCUMENTS

JP D1138363 S 4/2002
JP D1214286 S 8/2004
JP D1337471 S 8/2008

* cited by examiner

Primary Examiner — Daniel Bui

(74) *Attorney, Agent, or Firm* — Studebaker & Brackett PC

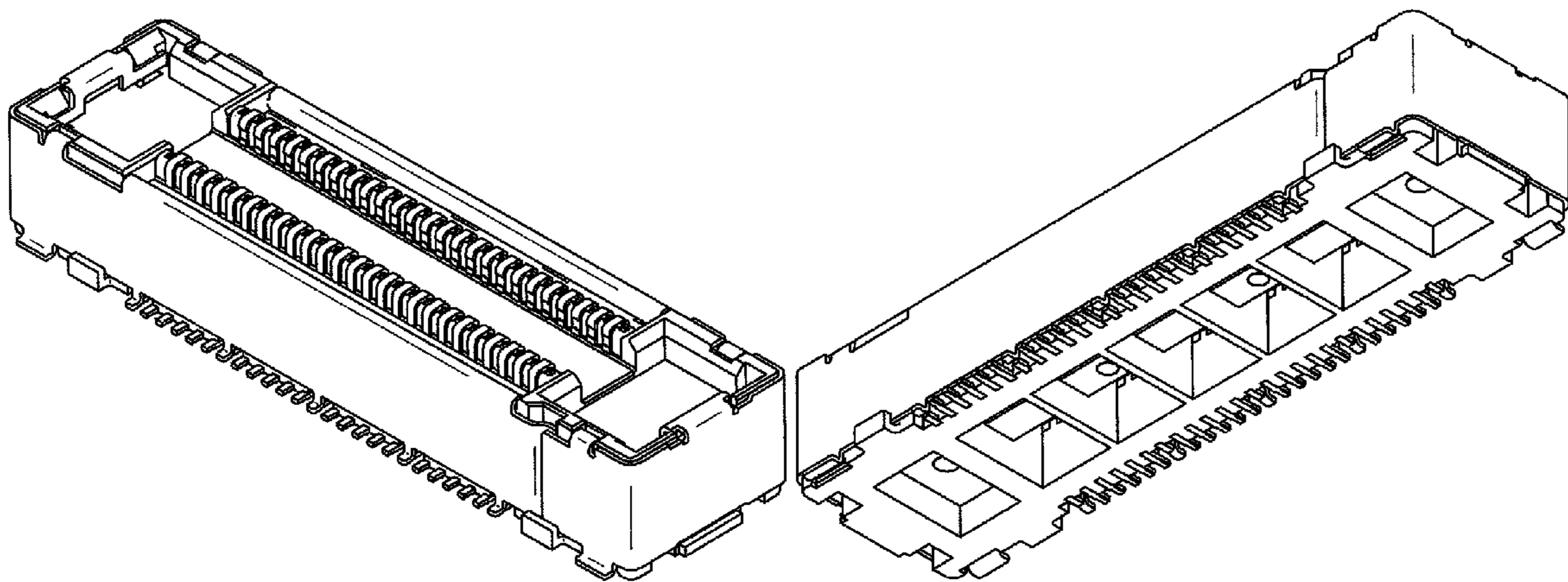
(57) **CLAIM**

The ornamental design for an electrical connector, as shown and described.

DESCRIPTION

FIG. 1 is a top plan view of an electrical connector showing my new design;
FIG. 2 is a front view thereof;
FIG. 3 is a bottom view thereof;
FIG. 4 is a rear view thereof;
FIG. 5 is a right side view thereof, the left side view is a mirror image thereto;
FIG. 6 is a front, top and right side perspective view thereof; and,
FIG. 7 is a front, bottom and right side view thereof.
The broken lines shown in FIG. 3 are included for the purpose of illustrating unclaimed environment only, and form no part of the claimed design.

1 Claim, 6 Drawing Sheets



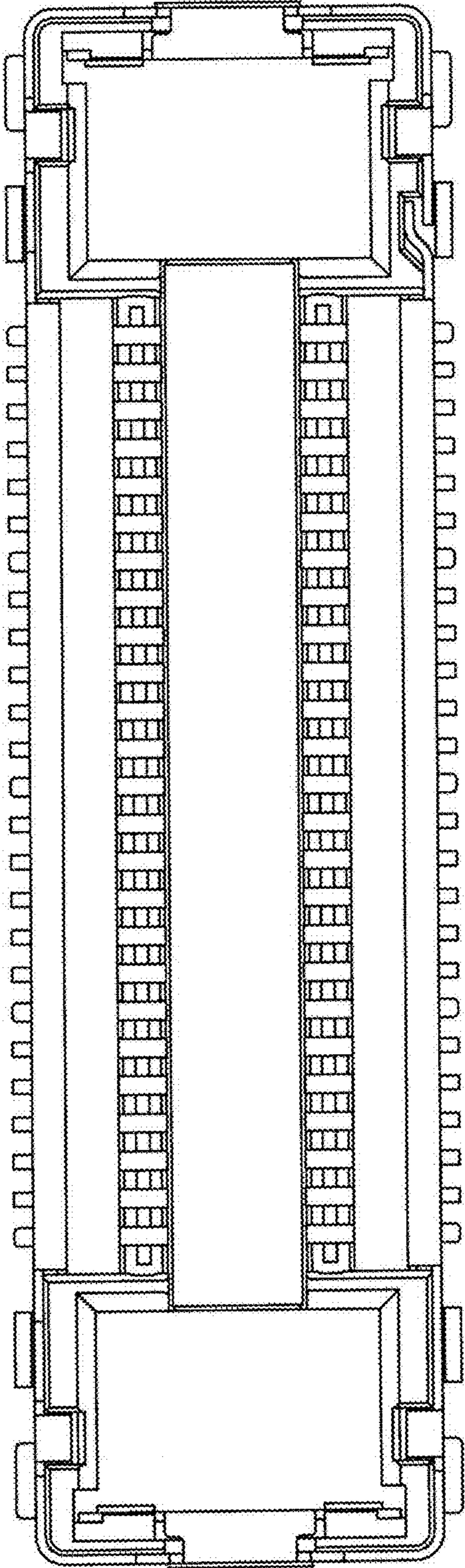


FIG. 1

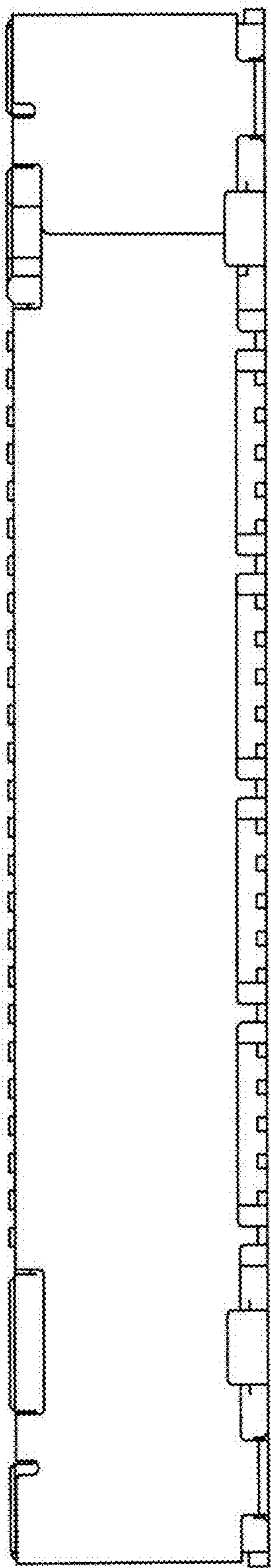


FIG. 2

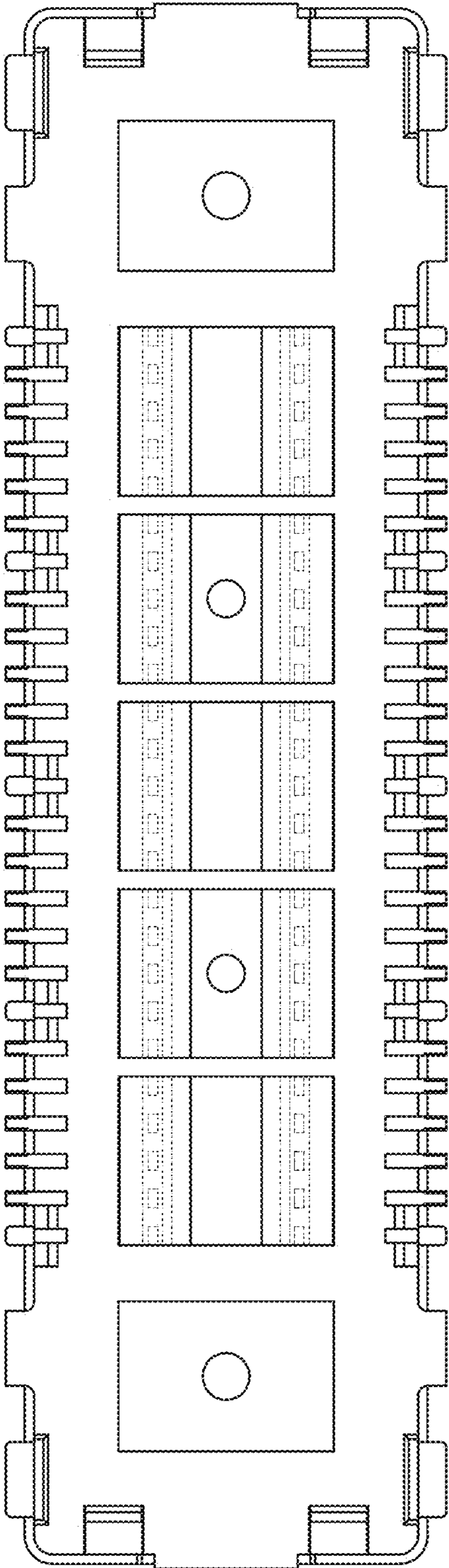


FIG. 3

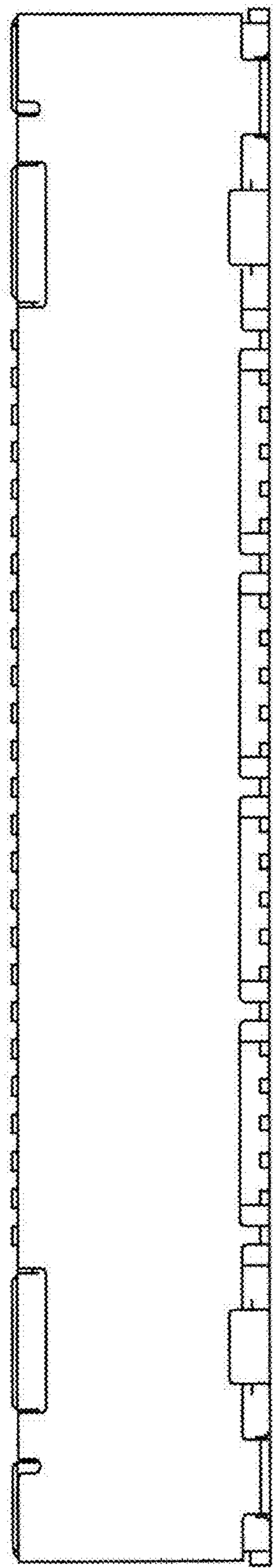


FIG. 4

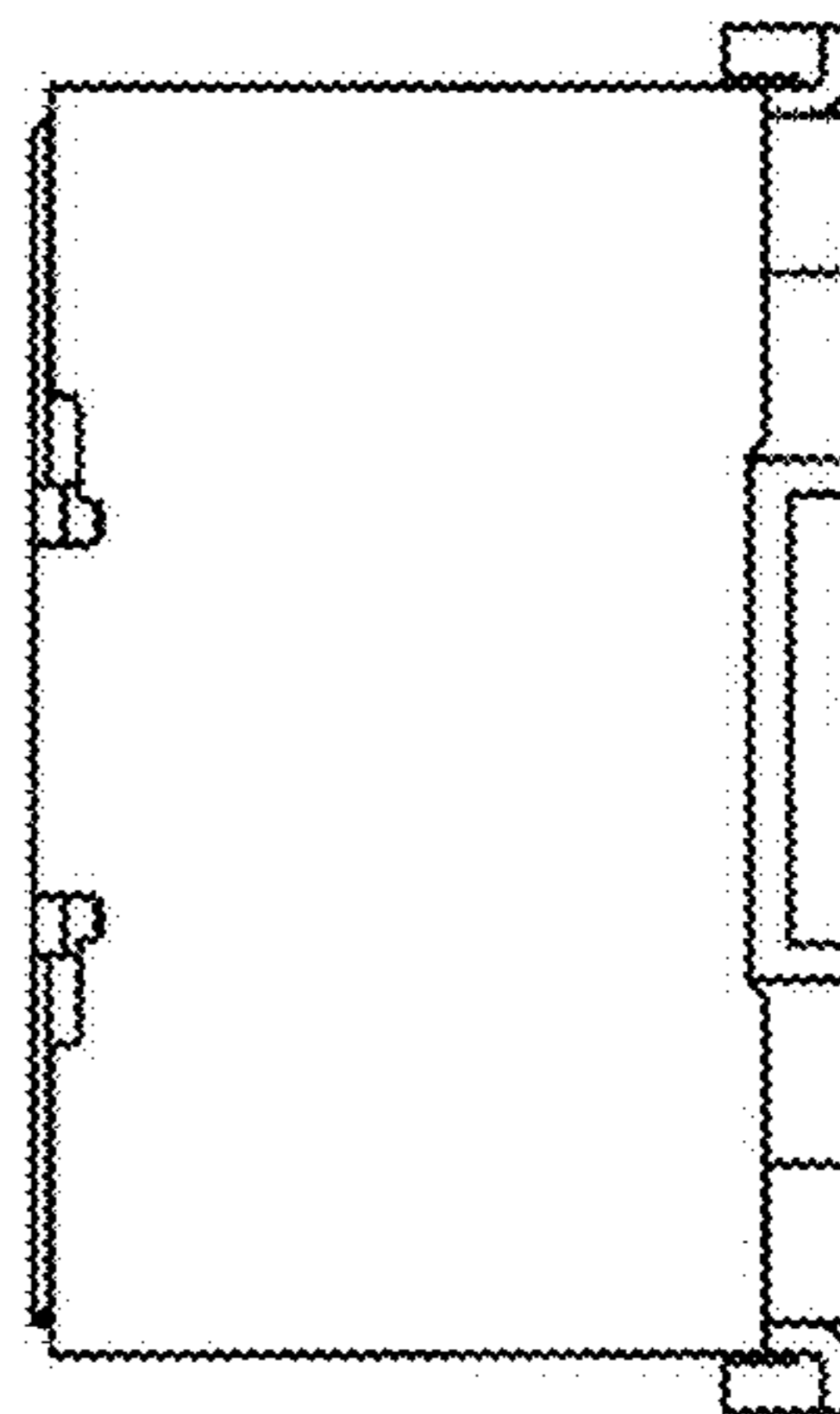


FIG. 5

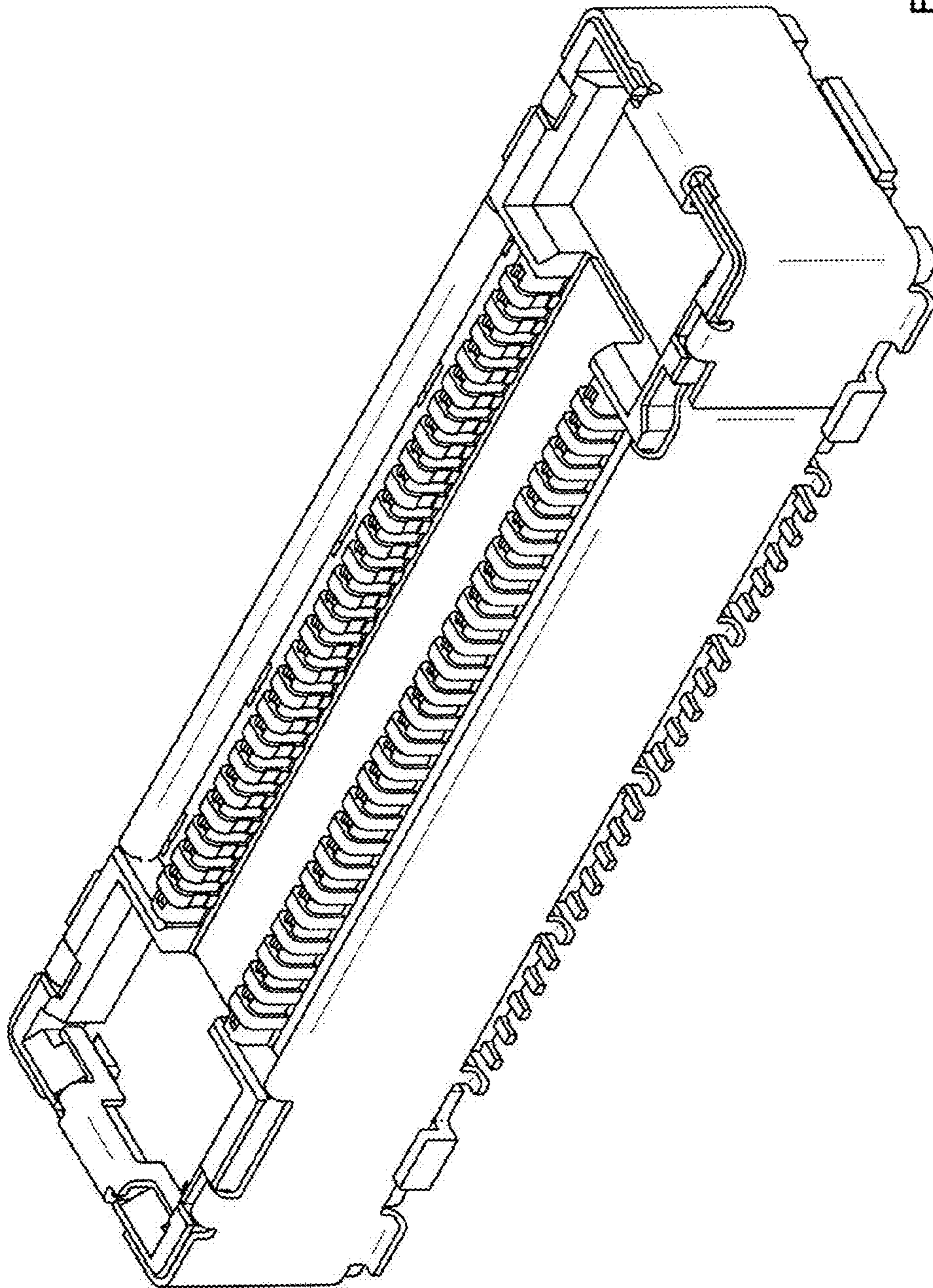


FIG. 6

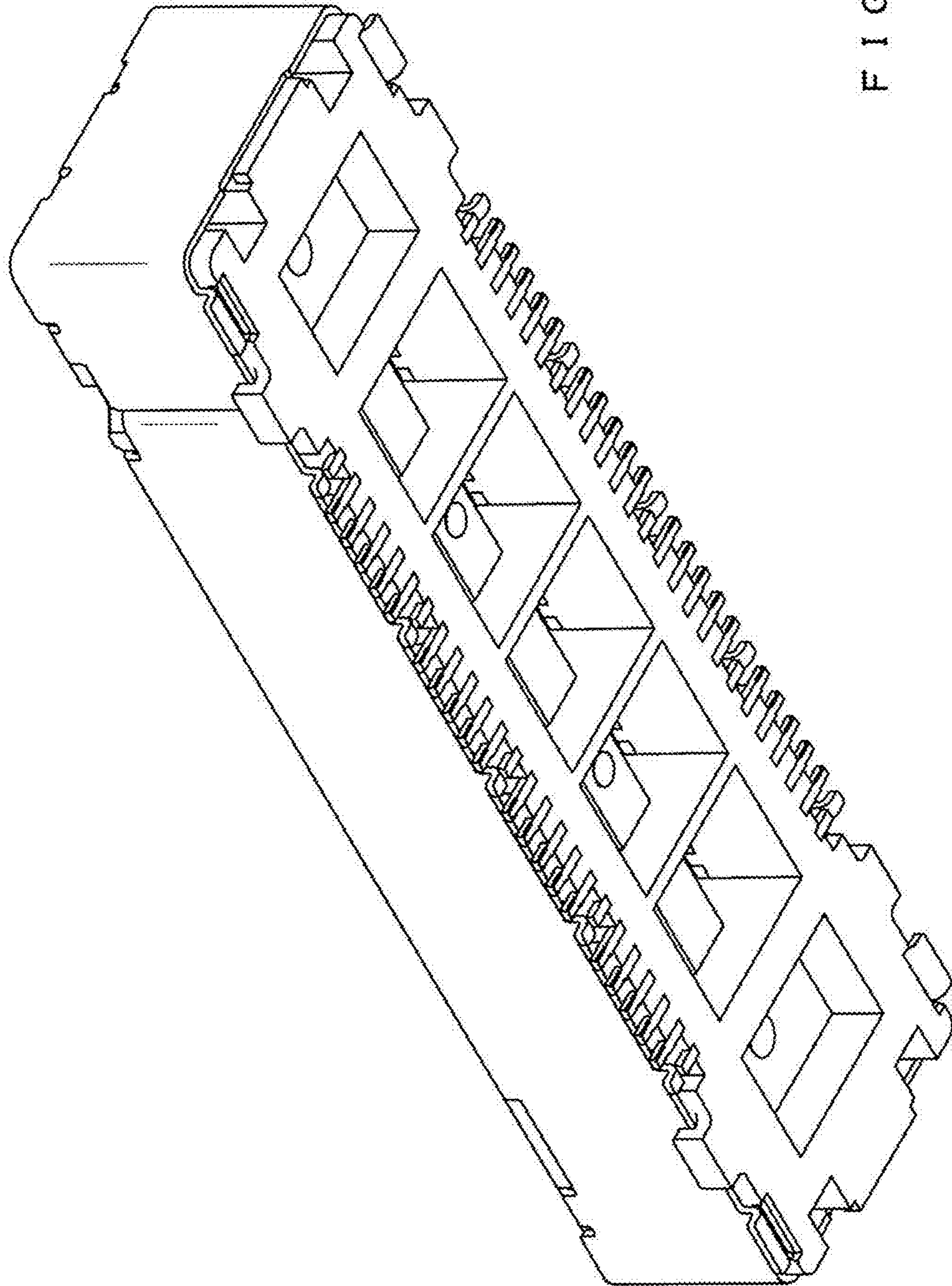


FIG. 7