



US00D690654S

(12) **United States Design Patent**  
**Yao et al.**

(10) **Patent No.:** **US D690,654 S**  
(45) **Date of Patent:** **\*\* Oct. 1, 2013**

(54) **ELECTRICAL CONNECTOR**

D641,321 S \* 7/2011 Ngo ..... D13/147  
D642,537 S \* 8/2011 Ngo ..... D13/154  
D668,613 S \* 10/2012 Ngo ..... D13/147

(75) Inventors: **Ze-Lin Yao**, Kunshan (CN); **Min Wang**,  
Kunshan (CN); **Xiao-Zhi Fu**, Kunshan  
(CN)

\* cited by examiner

(73) Assignee: **Hon Hai Precision Industry Co., Ltd.**,  
New Taipei (TW)

*Primary Examiner* — Daniel Bui

(74) *Attorney, Agent, or Firm* — Wei Te Chung; Ming Chieh  
Chang

(\*\*) Term: **14 Years**

(57) **CLAIM**

(21) Appl. No.: **29/401,837**

The ornamental design for an electrical connector, as shown  
and described.

(22) Filed: **Sep. 16, 2011**

(51) **LOC (9) Cl.** ..... **13-03**

**DESCRIPTION**

(52) **U.S. Cl.**

USPC ..... **D13/147**

(58) **Field of Classification Search**

USPC ..... 439/79, 159–160, 260, 278, 325,  
439/328–329, 381, 395, 422, 492, 495, 499,  
439/630, 862, 892, 894

See application file for complete search history.

FIG. 1 is a front, top and right side perspective view of an  
electrical connector showing our new design;  
FIG. 2 is a front elevational view thereof;  
FIG. 3 is a left side elevational view thereof;  
FIG. 4 is a right side elevational view thereof;  
FIG. 5 is a top plan view thereof; and,  
FIG. 6 is a bottom plan view thereof.

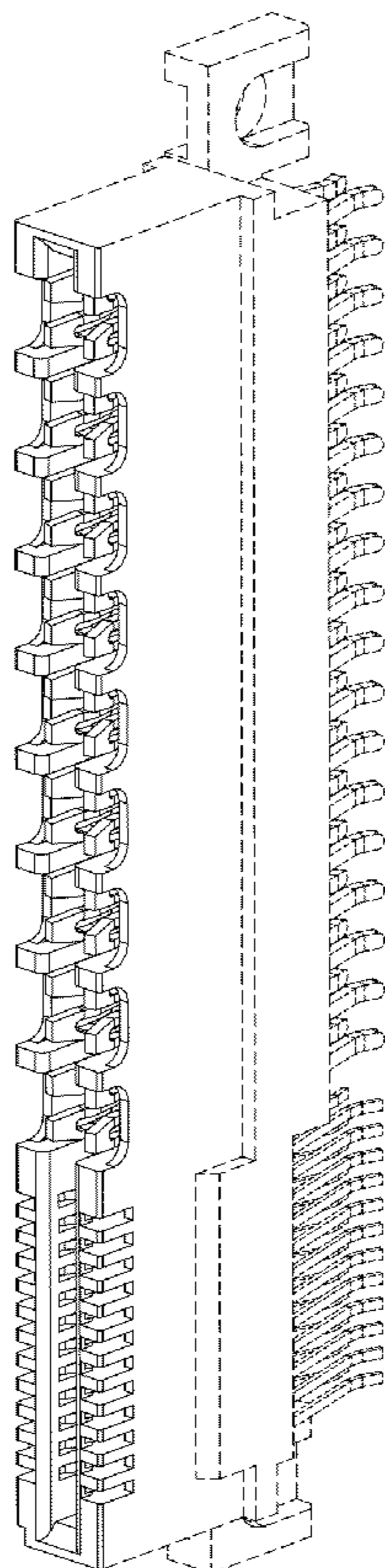
The broken line portion of the figure drawing is included to  
show unclaimed subject matter only and forms no part of the  
claimed design.

(56) **References Cited**

U.S. PATENT DOCUMENTS

D631,442 S \* 1/2011 Ngo ..... D13/147  
D639,246 S \* 6/2011 Ngo ..... D13/147

**1 Claim, 6 Drawing Sheets**



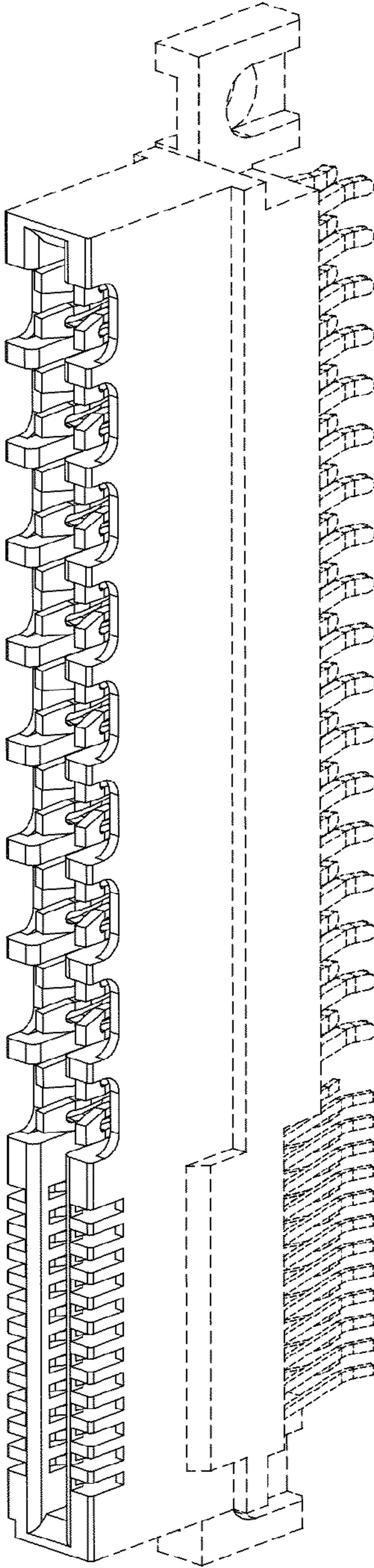


FIG. 1

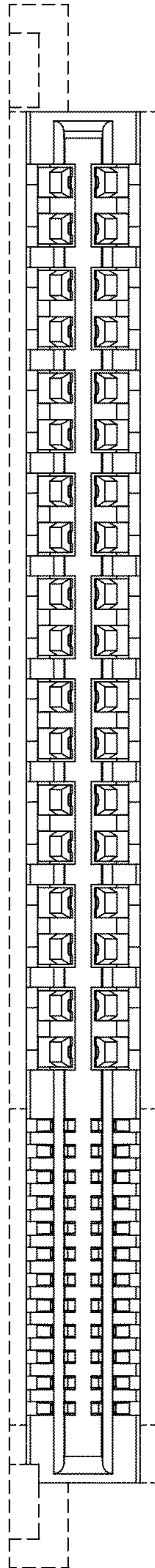


FIG. 2

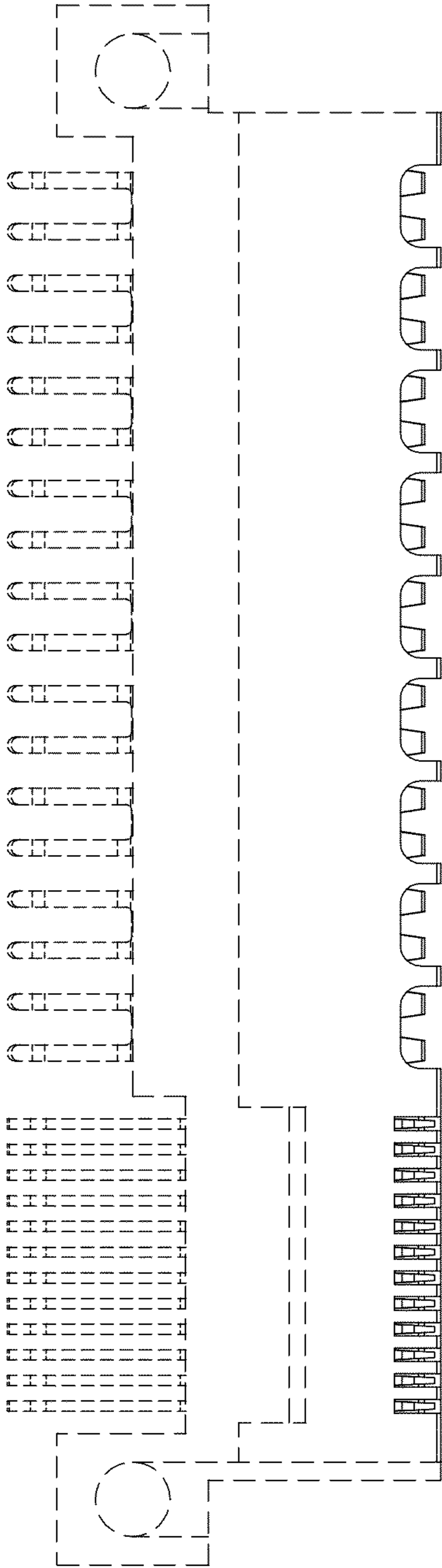


FIG. 3

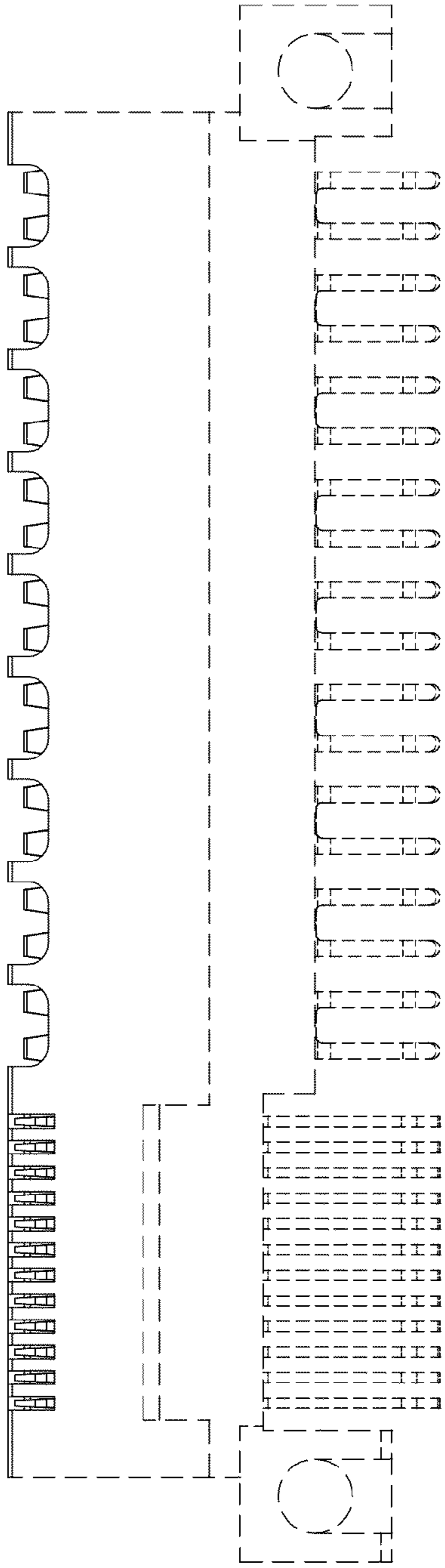


FIG. 4

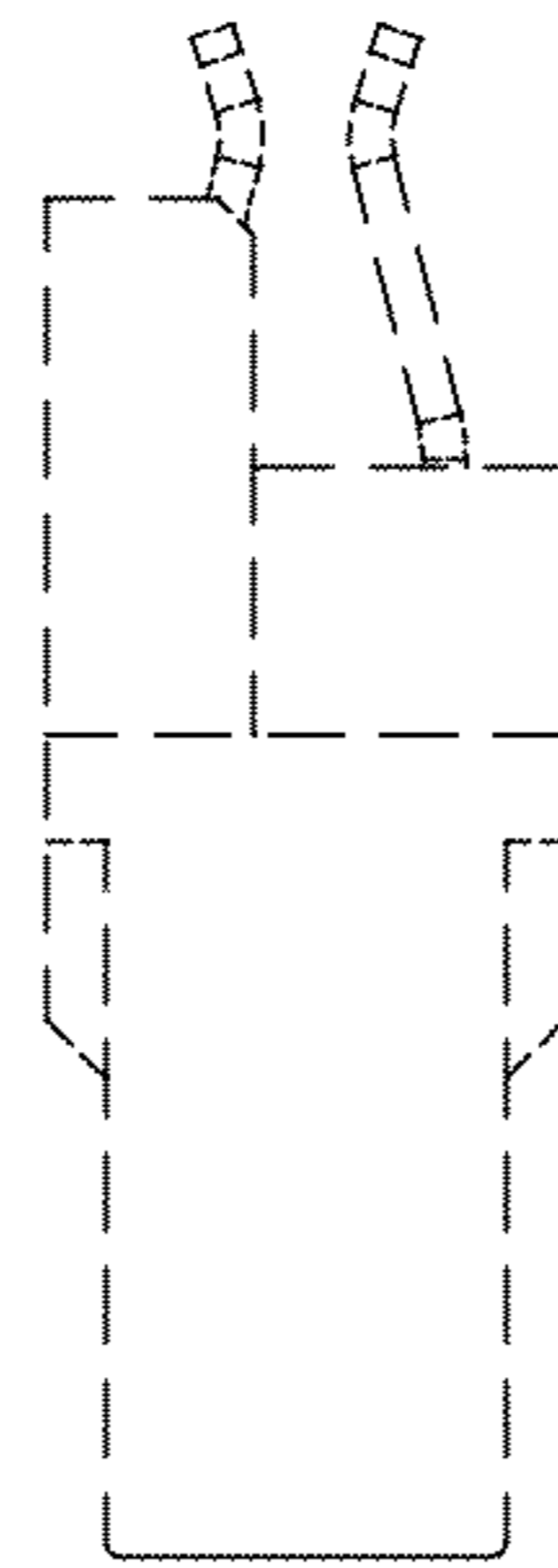


FIG. 5

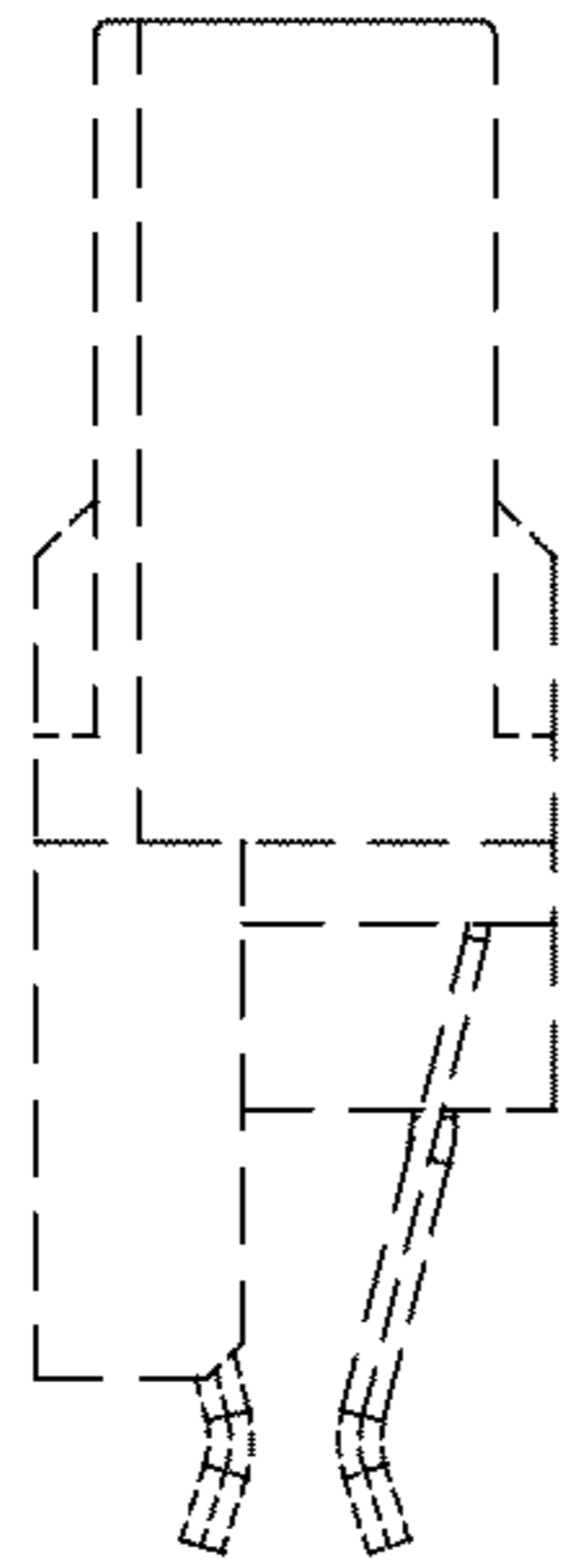


FIG. 6