

US00D690653S

(12) **United States Design Patent**
Dillon

(10) **Patent No.:** **US D690,653 S**

(45) **Date of Patent:** **** Oct. 1, 2013**

(54) **GROUNDING PORT CONNECTOR WITH THROUGH HOLE**

(76) Inventor: **Eddie P. Dillon**, Phoenix, AZ (US)

(**) Term: **14 Years**

(21) Appl. No.: **29/399,678**

(22) Filed: **Aug. 17, 2011**

Related U.S. Application Data

(63) Continuation-in-part of application No. 29/367,306, filed on Aug. 5, 2010, now Pat. No. Des. 645,823.

(51) **LOC (9) Cl.** **13-03**

(52) **U.S. Cl.**
USPC **D13/147**

(58) **Field of Classification Search**
USPC D13/133, 147, 154, 184, 199; 439/374, 439/378, 379, 380, 527, 533, 540.1, 607.01, 439/607.04, 607.07, 607.08, 607.09, 607.11, 439/607.13, 607.14, 607.25, 607.31, 607.32, 439/607.36, 607.4, 607.46, 660, 680, 892
See application file for complete search history.

(56) **References Cited**

U.S. PATENT DOCUMENTS

D235,552 S	6/1975	Derr et al.	
3,945,711 A	3/1976	Hohorst et al.	
D252,082 S *	6/1979	Voelkert	D13/146
D308,511 S	6/1990	Makita et al.	
D316,080 S *	4/1991	Inaba	D13/146
D319,625 S	9/1991	Nagasaka et al.	
D326,084 S	5/1992	Nagasaka et al.	

D344,714 S	3/1994	Kulbersh	
D366,646 S *	1/1996	Carr	D13/146
6,132,238 A	10/2000	Hartmann et al.	
6,364,698 B1	4/2002	Tsai	
D508,677 S	8/2005	Chau et al.	
D544,845 S *	6/2007	Askeland et al.	D13/154
7,384,319 B2	6/2008	Kirstein et al.	
7,507,106 B2	3/2009	Keswani et al.	
D597,958 S	8/2009	Sakamoto	
D630,585 S	1/2011	Sakamoto	
D645,823 S *	9/2011	Dillon	D13/147

* cited by examiner

Primary Examiner — Daniel Bui

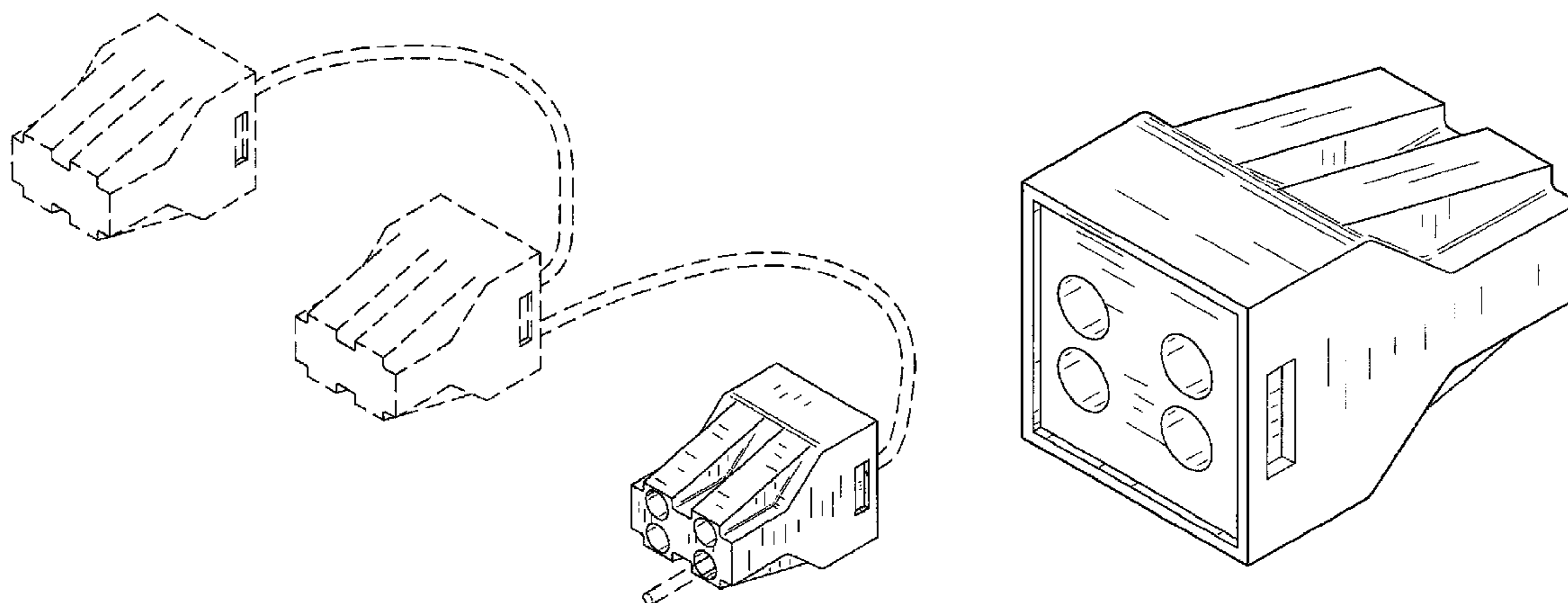
(57) **CLAIM**

The ornamental design for a grounding port connector with through hole, as shown and described.

DESCRIPTION

FIG. 1 is a perspective view of a grounding port connector with through hole showing my new design; FIG. 2 is a front view thereof; FIG. 3 is a back view thereof; FIG. 4 is a side elevation view thereof, the opposite side elevation view is mirror image thereof; FIG. 5 is a top plan view thereof, bottom plan view is mirror image thereof; and, FIG. 6 is a perspective back view of a grounding port connector with through hole. The broken lines shown in FIG. 1 are included for the purpose of illustrating environment and form no part of the claim.

1 Claim, 4 Drawing Sheets



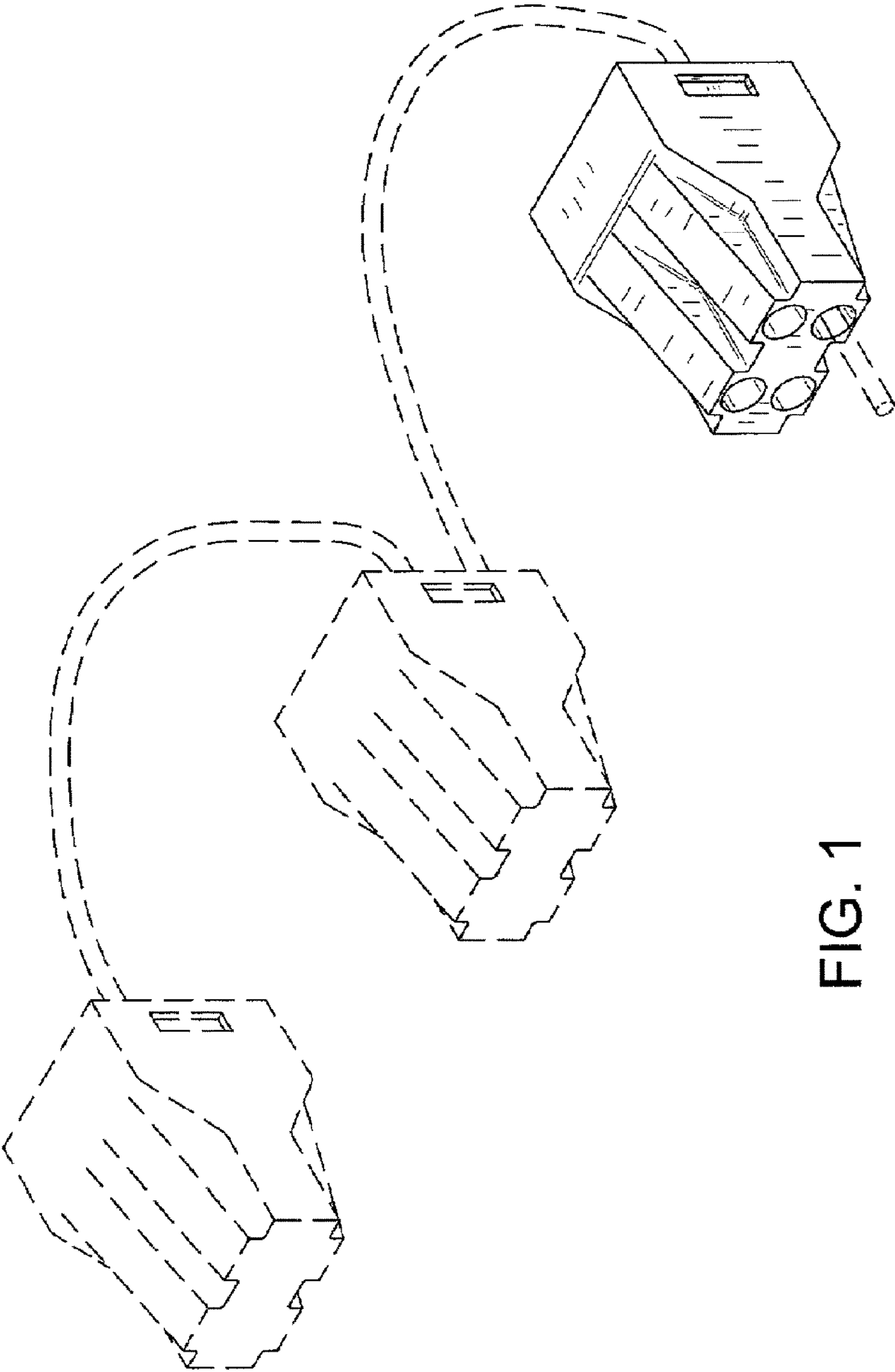


FIG. 1

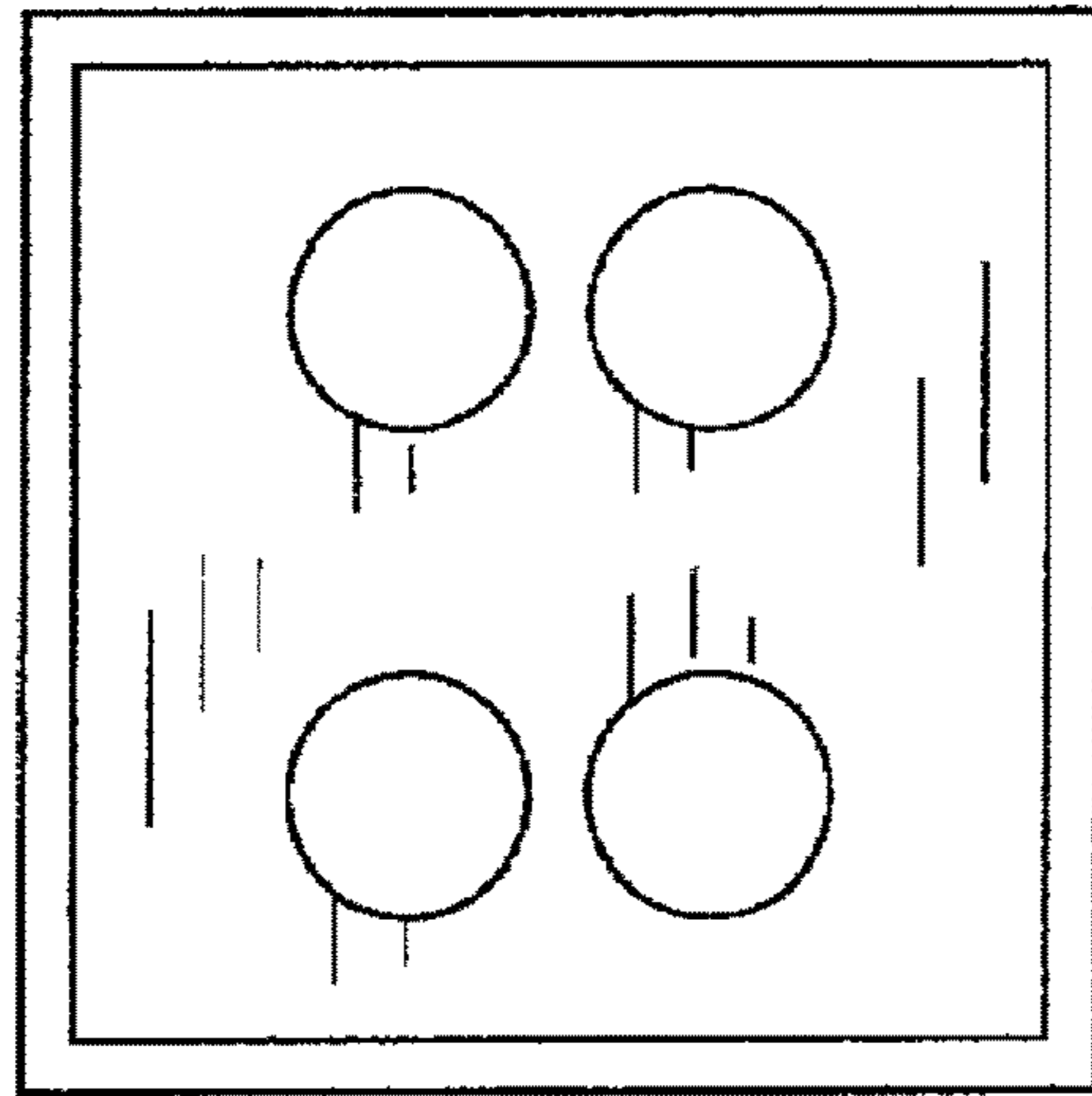


FIG. 3

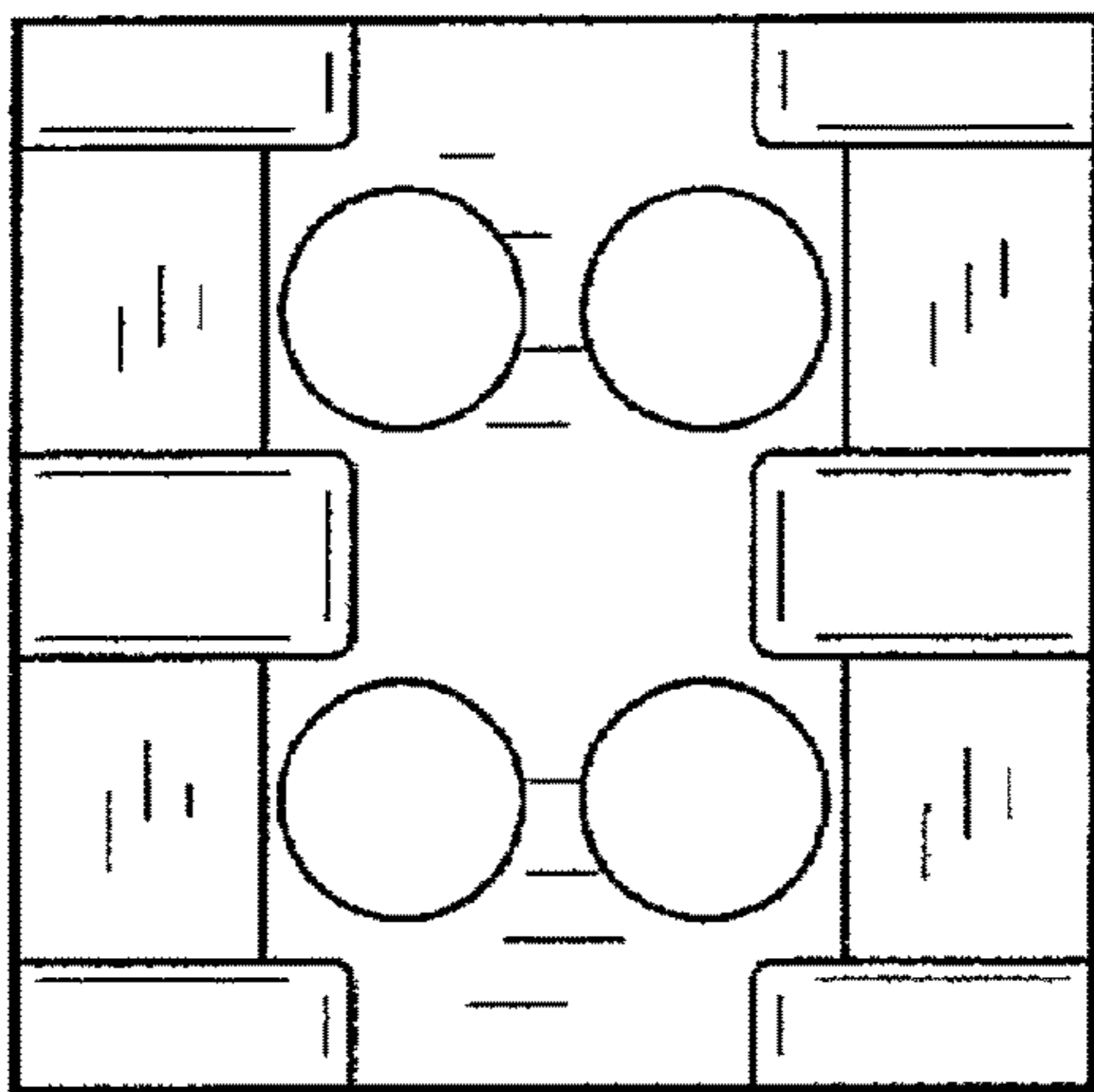


FIG. 2

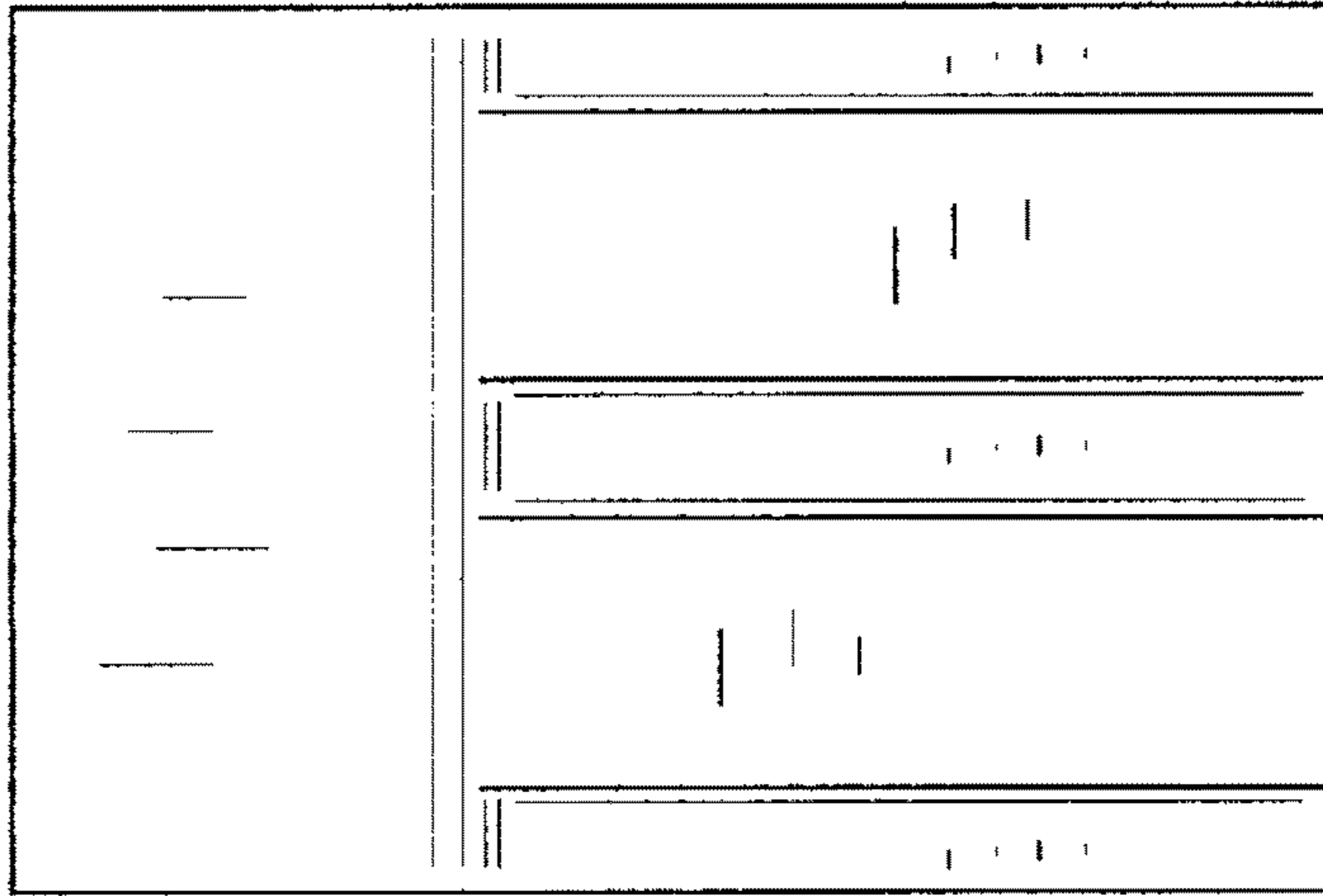


FIG. 5

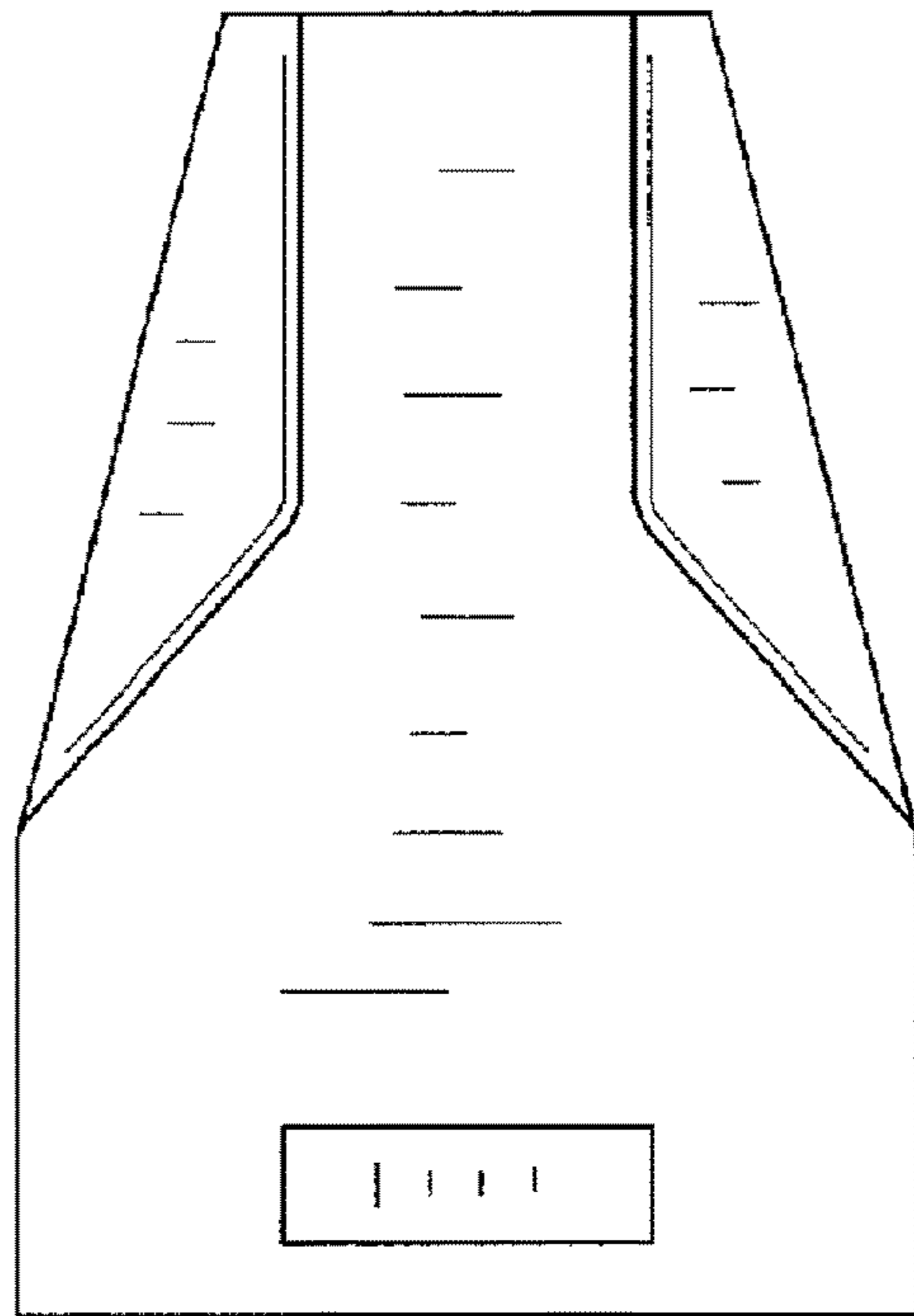


FIG. 4

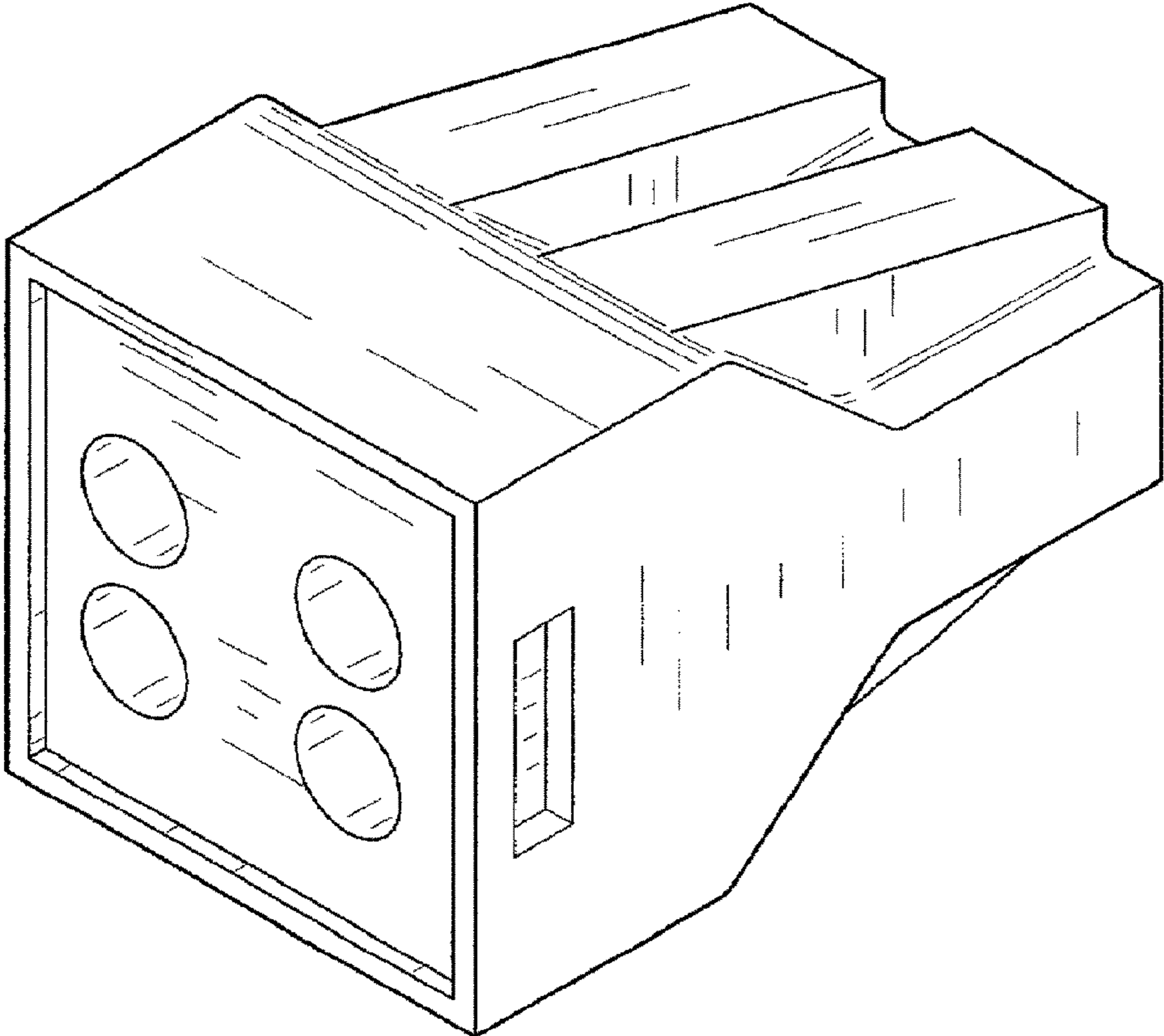


FIG. 6