



US00D690647S

(12) **United States Design Patent**  
**Huang et al.**

(10) **Patent No.:** **US D690,647 S**

(45) **Date of Patent:** **\*\* Oct. 1, 2013**

(54) **WIRELESS CHARGER**

(71) Applicant: **Chi Mei Communication Systems, Inc.**, New Taipei (TW)

(72) Inventors: **Po-Ching Huang**, New Taipei (TW);  
**Tzu-Cheng Yu**, Santa Clara, CA (US)

(73) Assignee: **Chi Mei Communication Systems, Inc.**, New Taipei (TW)

(\*\*) Term: **14 Years**

(21) Appl. No.: **29/440,703**

(22) Filed: **Dec. 26, 2012**

(30) **Foreign Application Priority Data**

Nov. 6, 2012 (CN) ..... 201230534941.5

(51) **LOC (9) Cl.** ..... **13-02**

(52) **U.S. Cl.**  
USPC ..... **D13/108**

(58) **Field of Classification Search**  
USPC ..... D13/107-110, 118-119, 184, 199;  
D14/217, 251, 253, 432, 434; 320/107-115  
See application file for complete search history.

(56) **References Cited**

**U.S. PATENT DOCUMENTS**

D477,604 S \* 7/2003 Lin ..... D14/434  
D512,066 S \* 11/2005 Solomon et al. .... D14/434

D516,562 S \* 3/2006 Solomon et al. .... D14/434  
D577,665 S \* 9/2008 Kim et al. .... D13/107  
D631,009 S \* 1/2011 Son et al. .... D13/108  
D639,810 S \* 6/2011 Hwang et al. .... D14/434  
D649,551 S \* 11/2011 Hwang et al. .... D14/434  
D657,741 S \* 4/2012 Fahrendorff et al. .... D13/108  
D668,255 S \* 10/2012 McManigal et al. .... D14/434  
D674,392 S \* 1/2013 Cheng et al. .... D14/434

\* cited by examiner

*Primary Examiner* — Rosemary K Tarcza

(74) *Attorney, Agent, or Firm* — Altis Law Group, Inc.

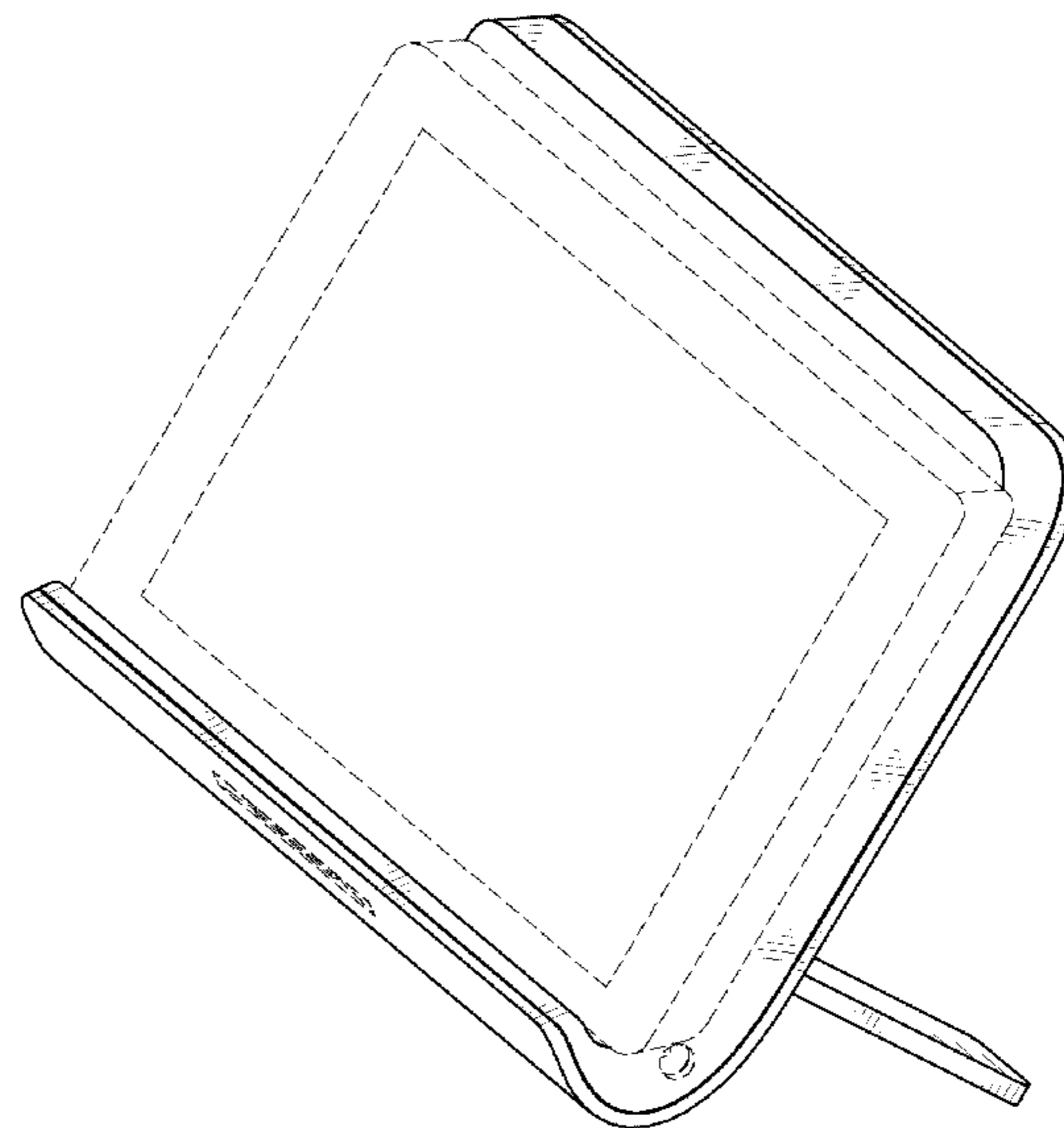
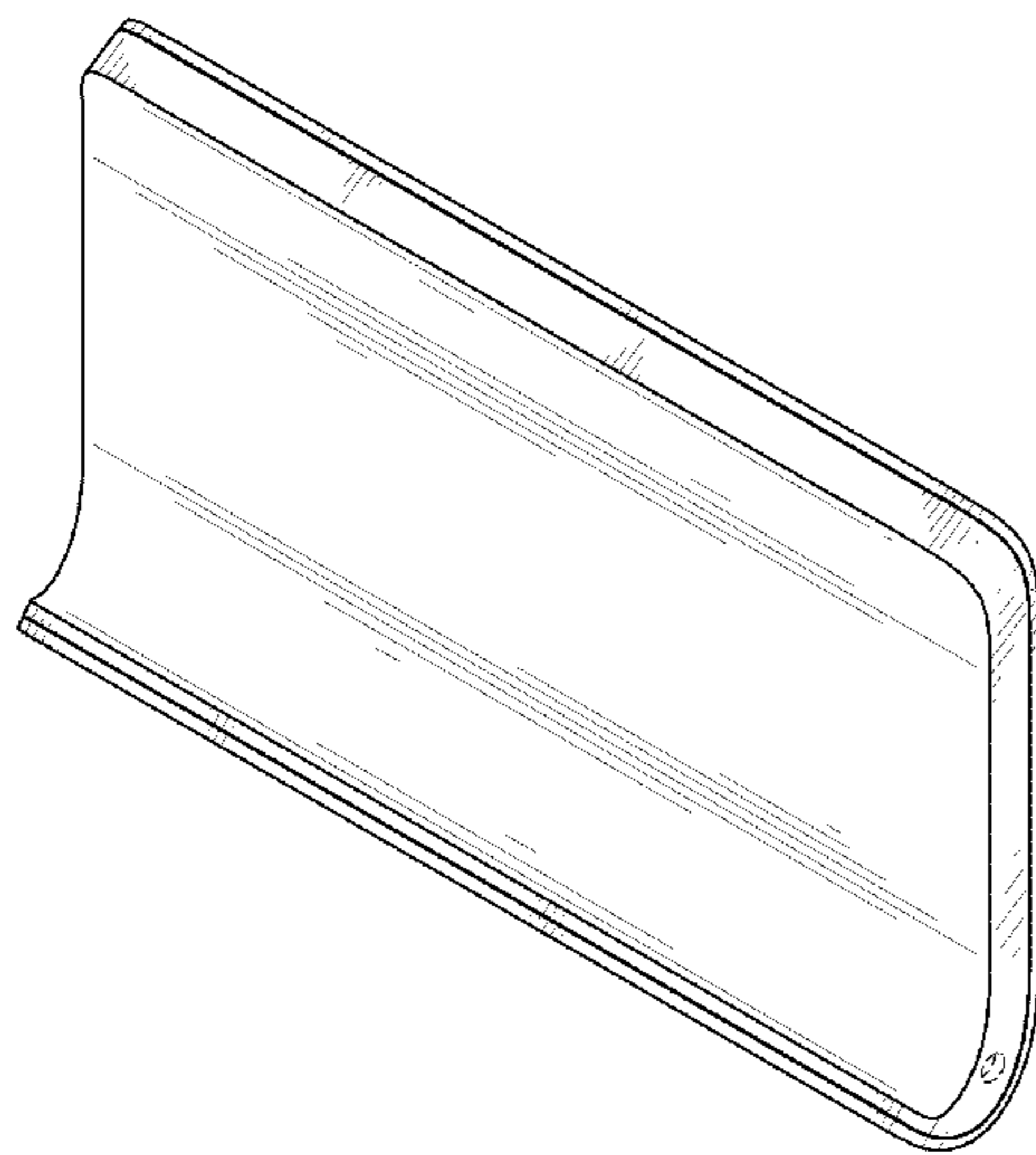
(57) **CLAIM**

The ornamental design for a wireless charger, as shown and described.

**DESCRIPTION**

FIG. 1 is a perspective view of a wireless charger showing our new design;  
FIG. 2 is a front elevational view thereof;  
FIG. 3 is a rear elevational view thereof;  
FIG. 4 is a left side elevational view thereof;  
FIG. 5 is a right side elevational view thereof;  
FIG. 6 is a top plan view thereof;  
FIG. 7 is a bottom plan view thereof; and,  
FIG. 8 is a perspective view thereof in an alternate position when in use charging and holding an electronic device.  
The broken lines of all the figures are for the purpose of illustrating environment and forms no part of the claimed design.

**1 Claim, 8 Drawing Sheets**



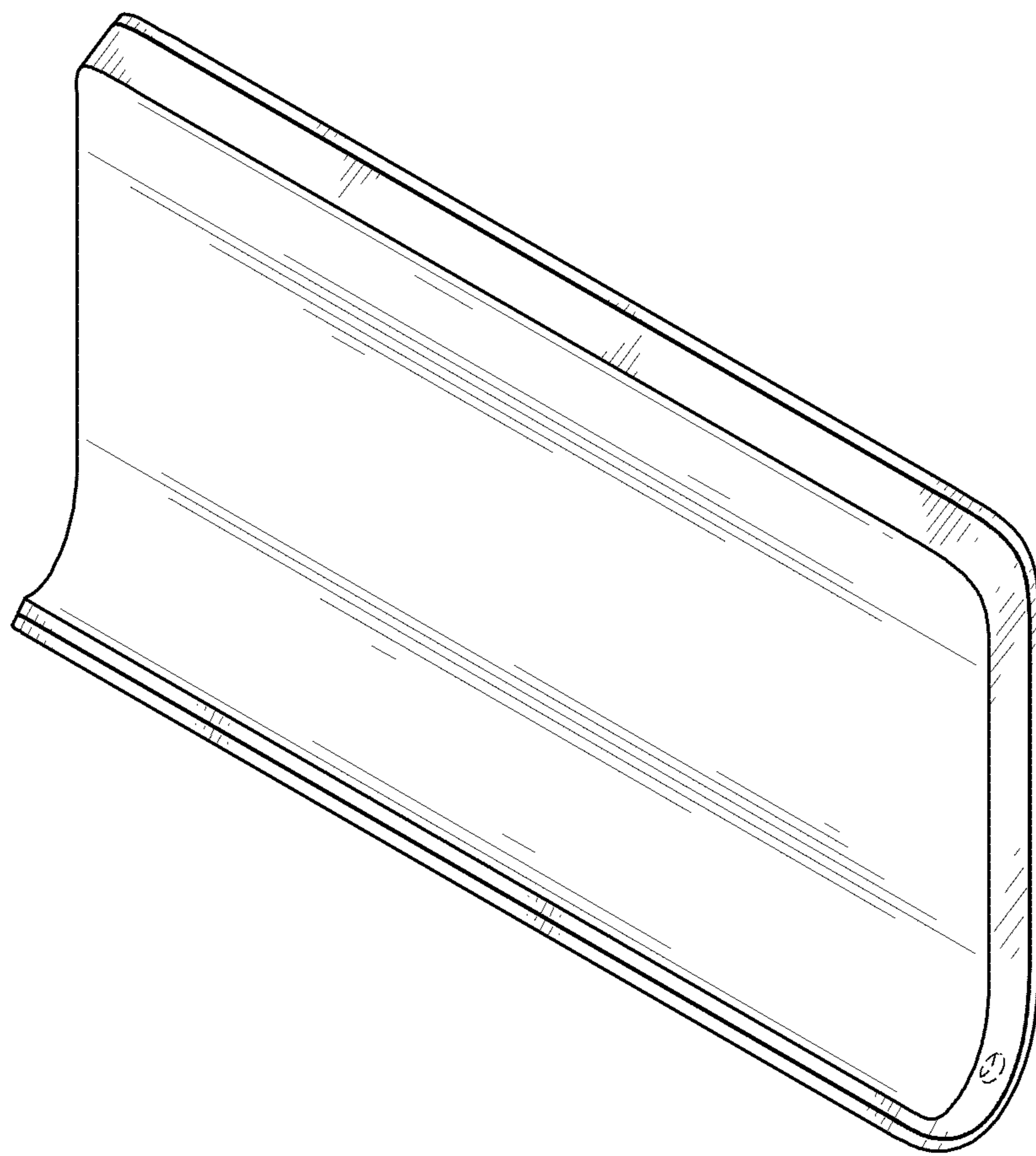


FIG. 1



FIG. 2

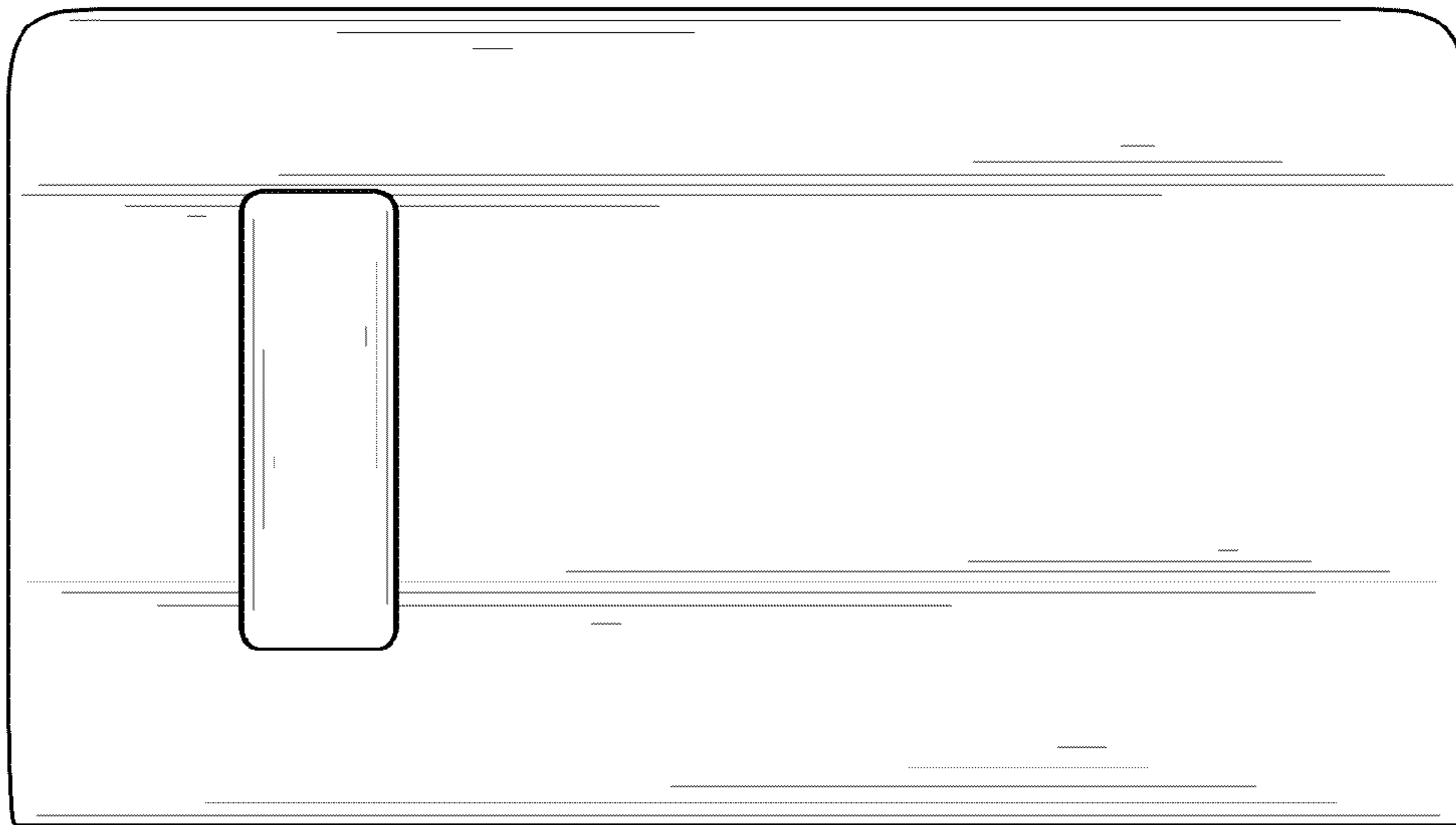


FIG. 3

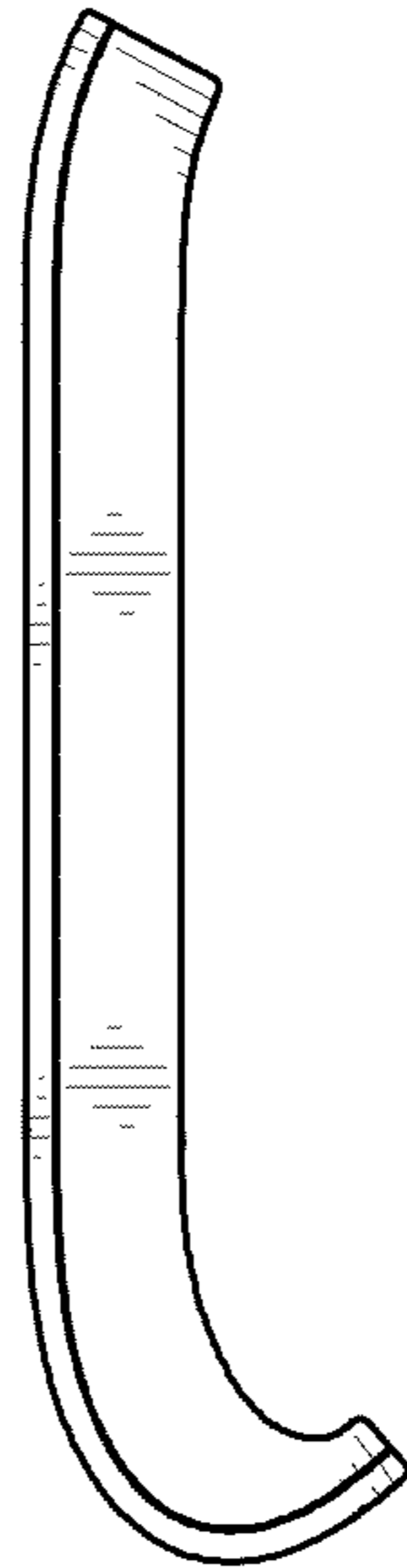


FIG. 4

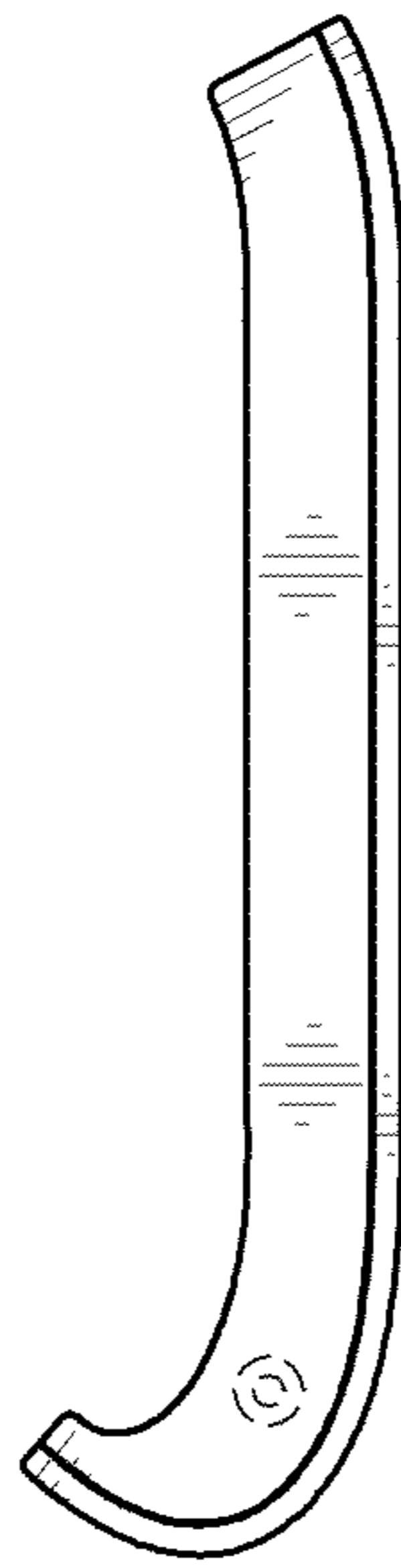


FIG. 5

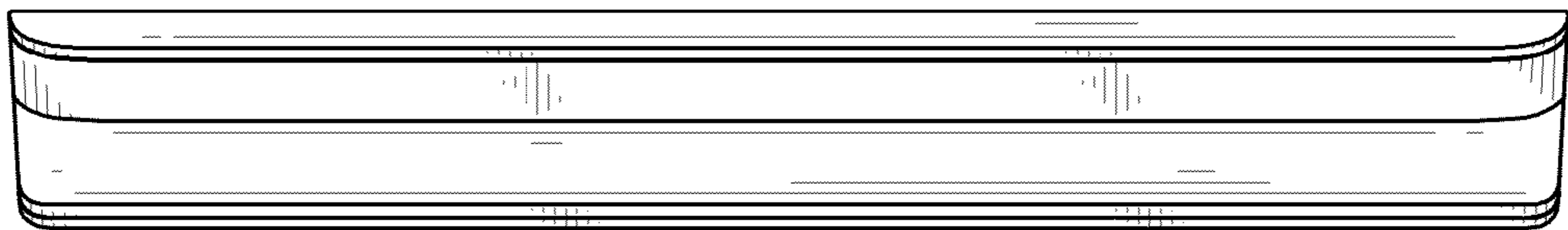


FIG. 6

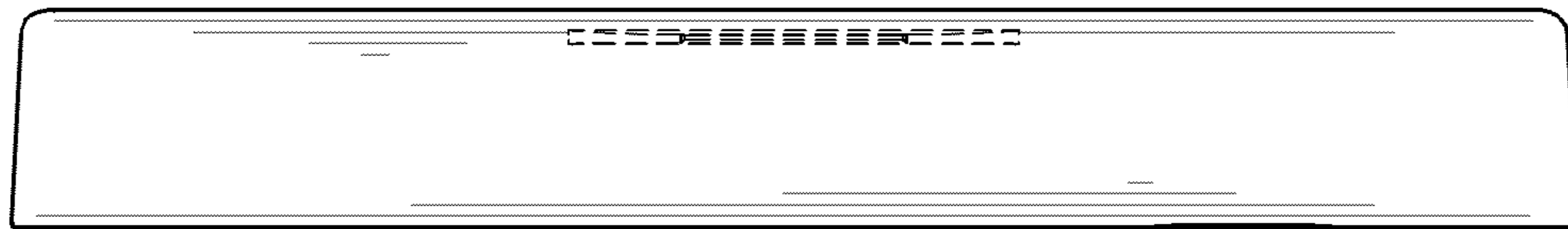


FIG. 7



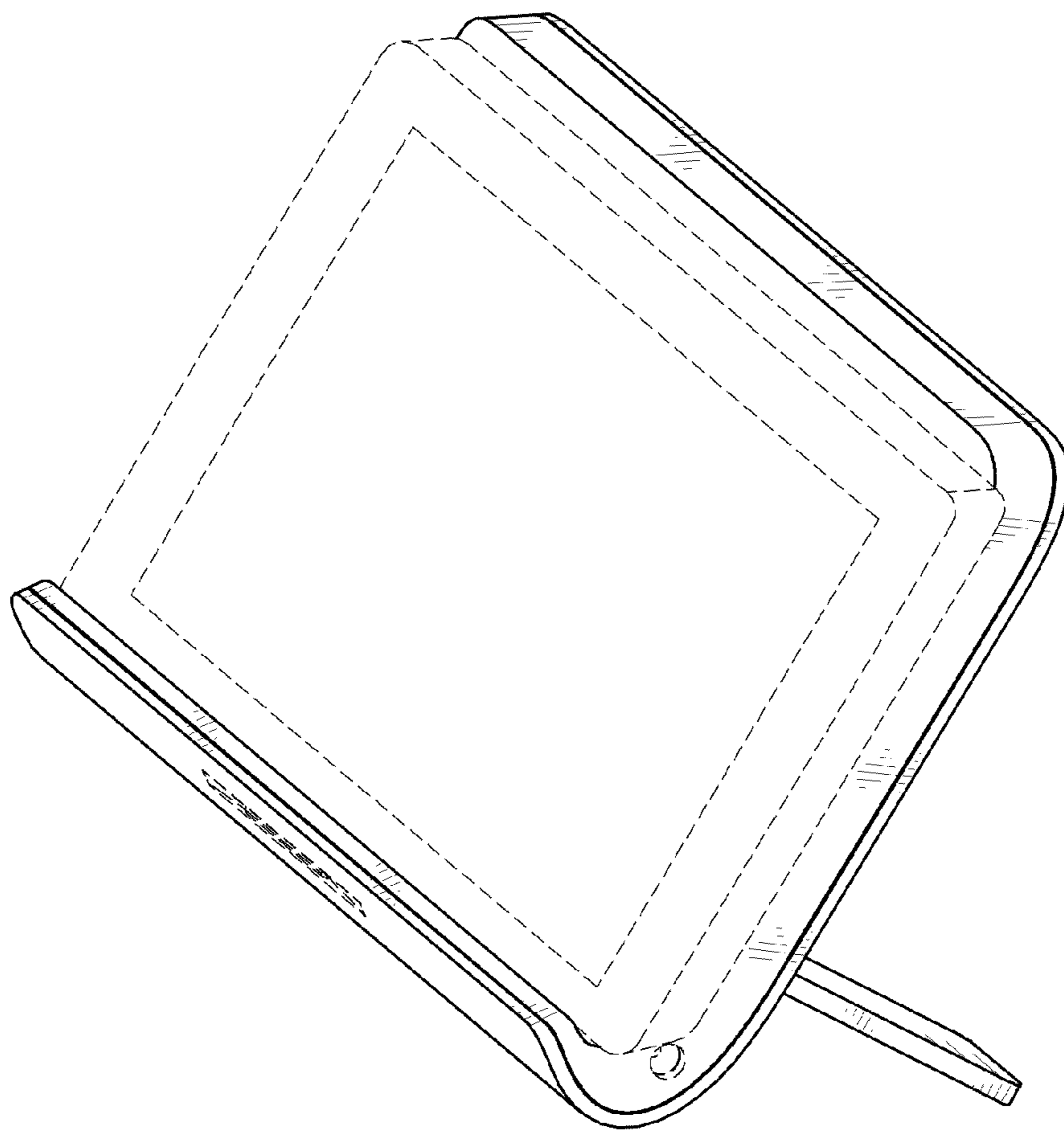


FIG. 8