

US00D690645S

(12) **United States Design Patent**
Beckwith et al.

(10) **Patent No.:** **US D690,645 S**

(45) **Date of Patent:** **** Oct. 1, 2013**

(54) **MULTI-COMPARTMENT GUN CASE FOR ALL-TERRAIN VEHICLE**

(76) Inventors: **Greg Beckwith**, Cold Lake (CA);
Dennis J. McMillan, Cold Lake (CA)

(**) Term: **14 Years**

(21) Appl. No.: **29/419,116**

(22) Filed: **Apr. 25, 2012**

(51) **LOC (9) Cl.** **12-11**

(52) **U.S. Cl.**
USPC **D12/409**

(58) **Field of Classification Search**
USPC D12/407, 409, 412, 413, 110; 224/400,
224/401-404, 412, 413, 419, 428-431, 309,
224/42.11, 315, 433, 913; D99/1; D3/271.1,
D3/231; D9/430, 600; 27/2, 5, 6; 180/219,
180/220; 280/288.4

See application file for complete search history.

(56) **References Cited**

U.S. PATENT DOCUMENTS

D37,581	S	*	10/1905	Ellis	D27/110
925,929	A	*	6/1909	Magoris	156/196
D56,919	S	*	1/1921	Gordon	D99/37
1,507,726	A	*	9/1924	Brady	27/6
3,121,525	A	*	2/1964	Hayes	206/523
D199,716	S	*	12/1964	Gluck	D27/106
4,212,386	A	*	7/1980	Maisonneuve	206/37
4,517,713	A	*	5/1985	Swallert	27/4
4,854,018	A	*	8/1989	Von Bratt	27/19
D313,745	S	*	1/1991	Akman	D9/600
5,111,559	A	*	5/1992	Mohr et al.	27/4
5,484,092	A	*	1/1996	Cheney	224/404
D407,179	S	*	3/1999	Curtis	D99/1
D419,260	S	*	1/2000	Manzo, Jr.	D27/188
6,386,409	B1	*	5/2002	Cheney	224/404
6,554,169	B1	*	4/2003	Furlong	224/404
D531,780	S	*	11/2006	Nutting	D99/3

D540,182	S	*	4/2007	Weaver	D9/600
D551,825	S	*	9/2007	Nutting	D99/3
D579,404	S	*	10/2008	McLaughlin	D12/409
2011/0272445	A1	*	11/2011	Bond et al.	224/413

OTHER PUBLICATIONS

Small ATV Gun case, http://goodoutdoors.theshoppe.com/small_atvgun_case.html, accessed Feb. 13, 2013.

(Continued)

Primary Examiner — Susan M Lee

Assistant Examiner — Linda Brooks

(74) *Attorney, Agent, or Firm* — Hodgson Russ LLP

(57) **CLAIM**

The ornamental design for a multi-compartment gun case for all-terrain vehicle, as shown and described.

DESCRIPTION

FIG. 1 is a front isometric view of the multi-compartment gun case for all-terrain vehicle showing the design in closed condition;

FIG. 2 is a back isometric view of the design in closed condition;

FIG. 3 is a left plan view of the design in closed condition;

FIG. 4 is a front plan view of the design in closed condition;

FIG. 5 is a right plan view of the design in closed condition;

FIG. 6 is a back plan view of the design in closed condition;

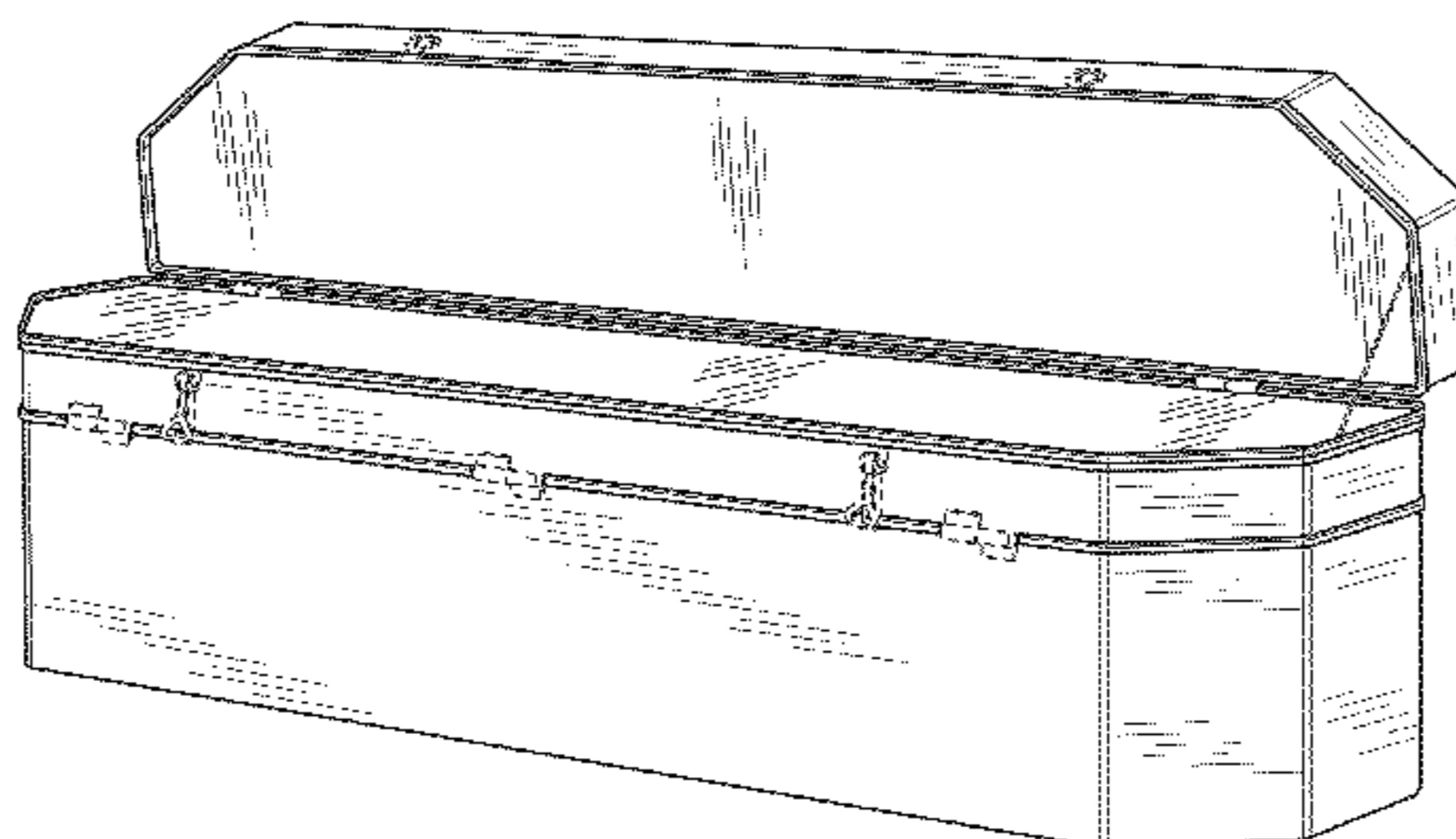
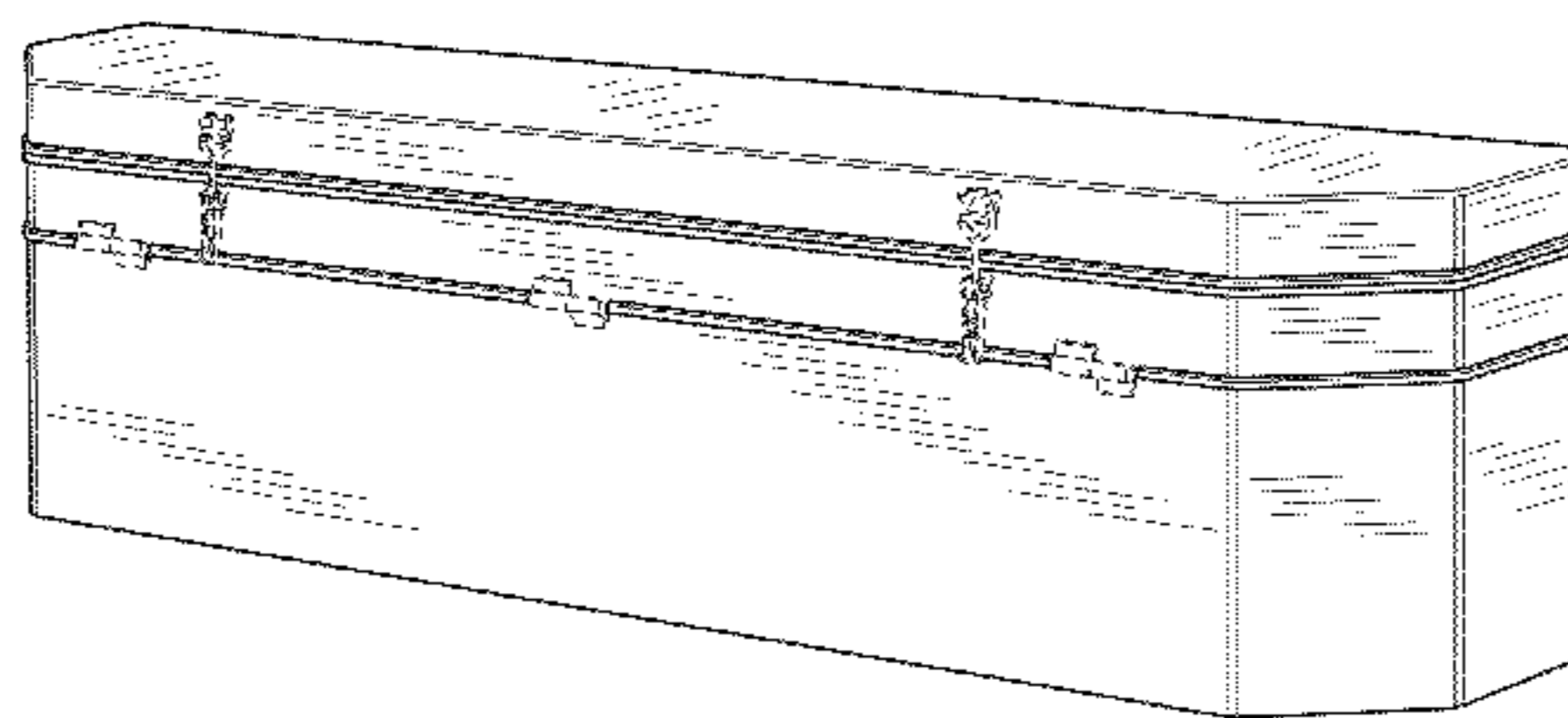
FIG. 7 is a top plan view of the design in closed condition;

FIG. 8 is a bottom plan view of the design in closed condition;

FIG. 9 is a front isometric view of the design with the top compartment in open condition; and,

FIG. 10 is a back isometric view of the design with the bottom compartment in an open condition.

1 Claim, 6 Drawing Sheets



(56)

References Cited

OTHER PUBLICATIONS

ATV Storage Dry Boxes, http://goodoutdoors.theshoppe.com/dry_boxes.html, accessed Feb. 13, 2013.

Cabela's: QuadGear UTV Rifle Case, <http://www.cabelas.com/utv-accessories-quadgear-utv-rifle-case.shtml>, accessed Feb. 13, 2013.

ATV Tool Boxes, <http://www.80toolbox.com/atv/atv>, accessed Feb. 13, 2013.

Tamarack Titan Rifle ATV Bag, http://www.4atvtires.com/atvTires/showProduct.php?id=9708&cat_id=28, accessed Feb. 13, 2013.

Screen-shots of ATV Accessories Guide: Using ATV Cargo Boxes, <http://www.youtube.com/watch?v=T6AeJJgDHqk>

&&feature=relmfu, uploaded on Jan. 19, 2008.

* cited by examiner

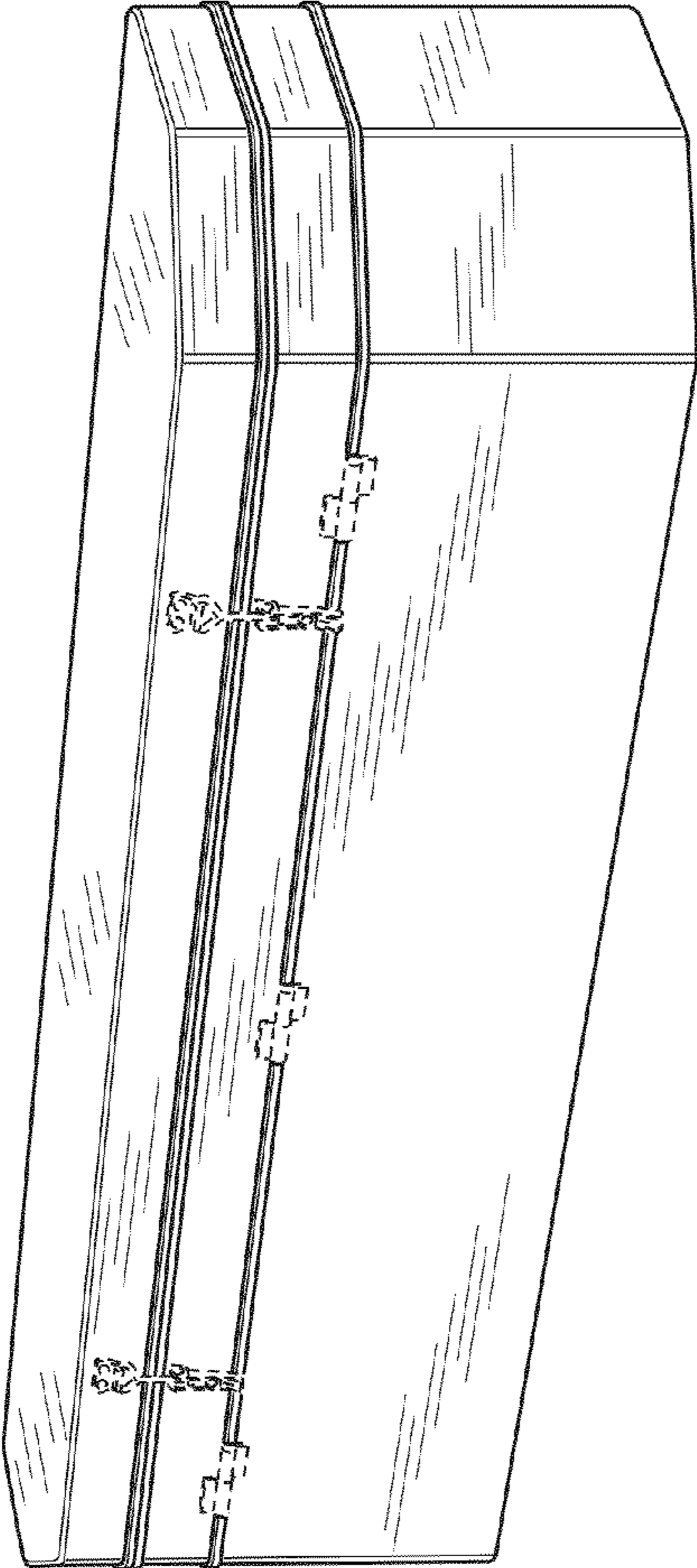


FIG. 1

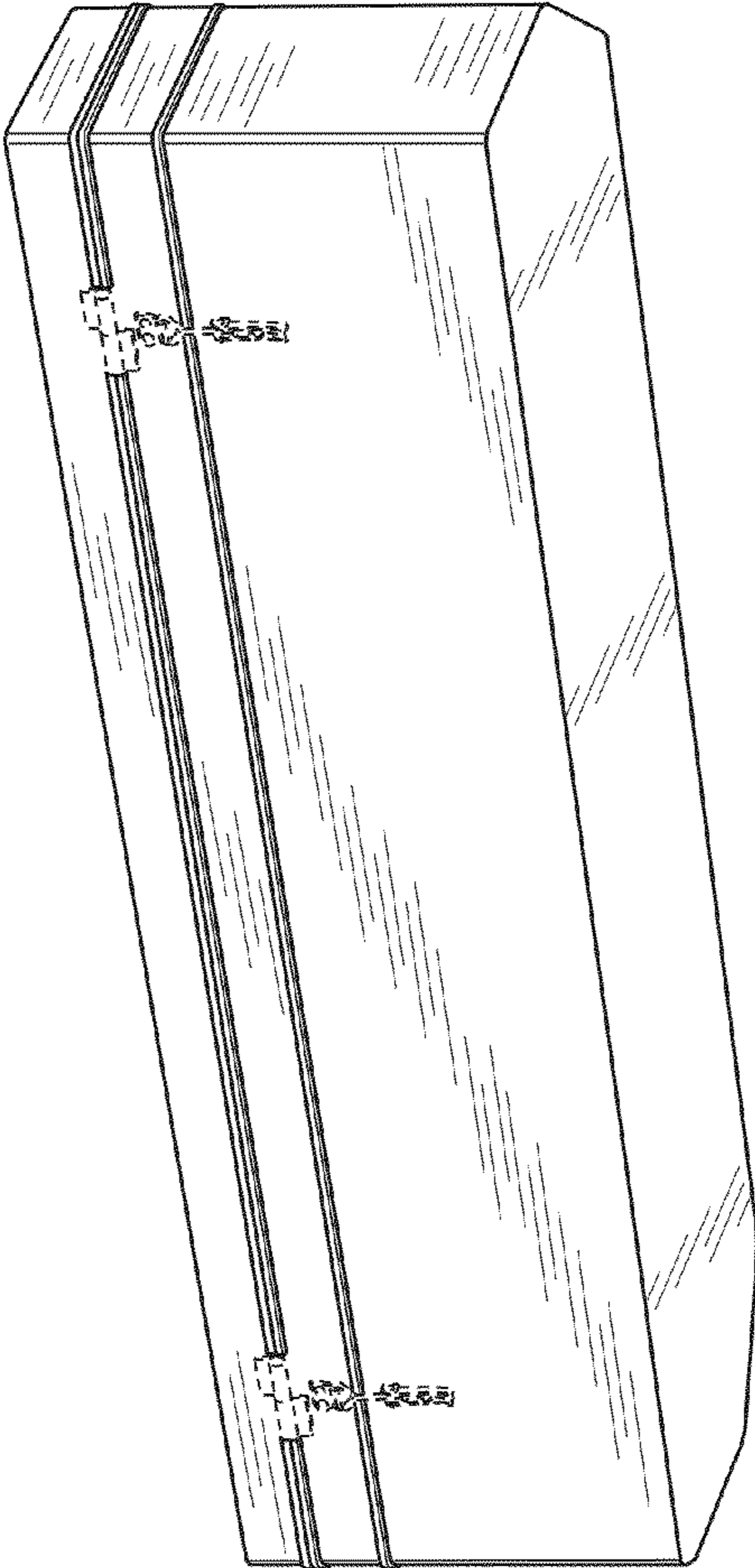


FIG. 2

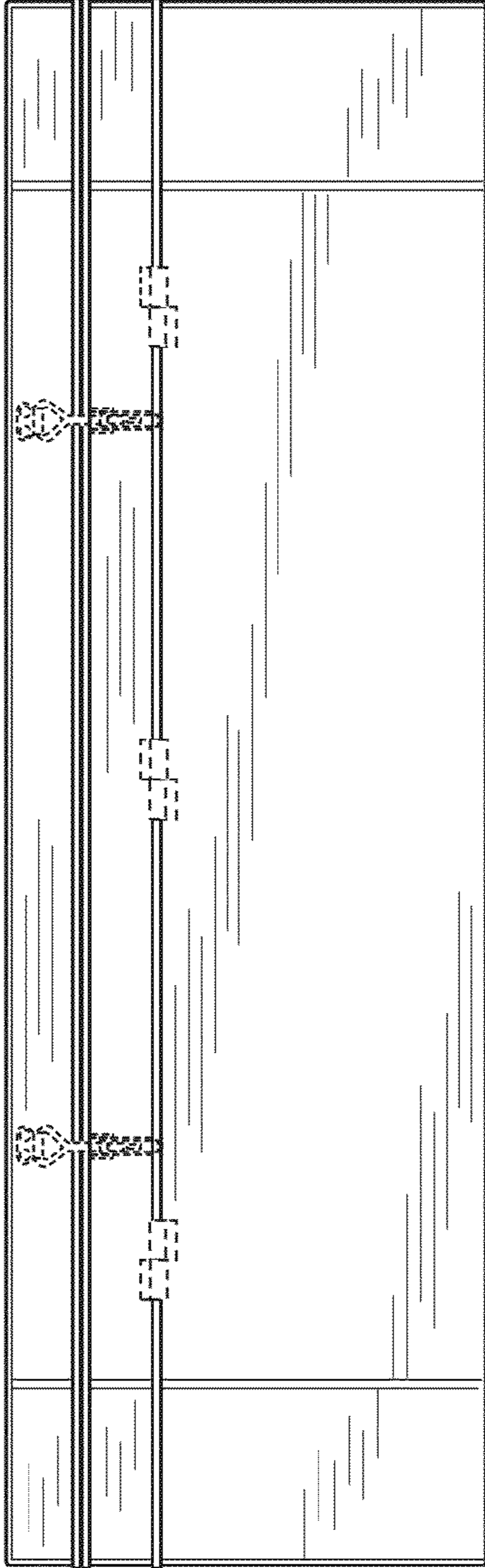


FIG. 4

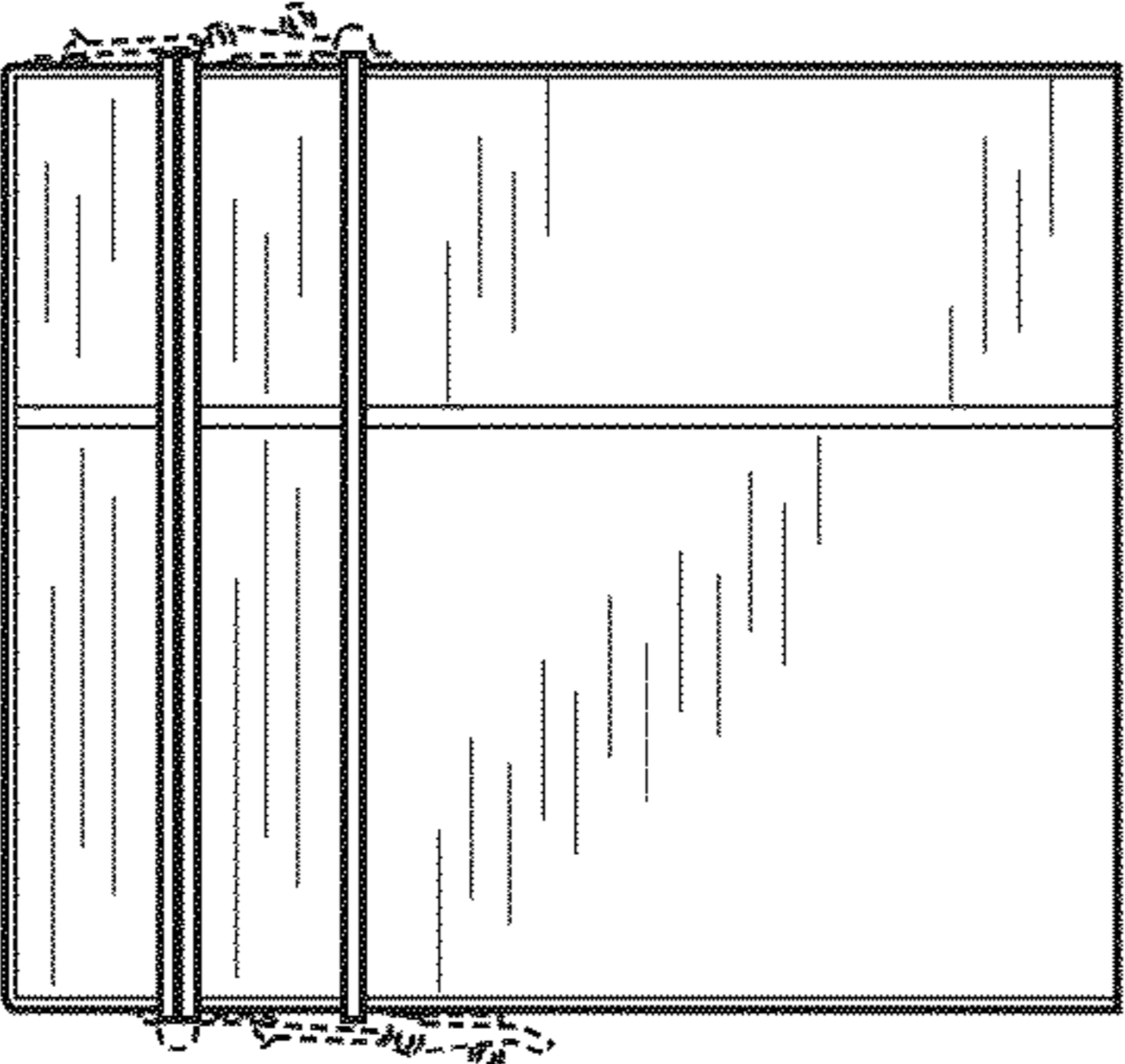


FIG. 3

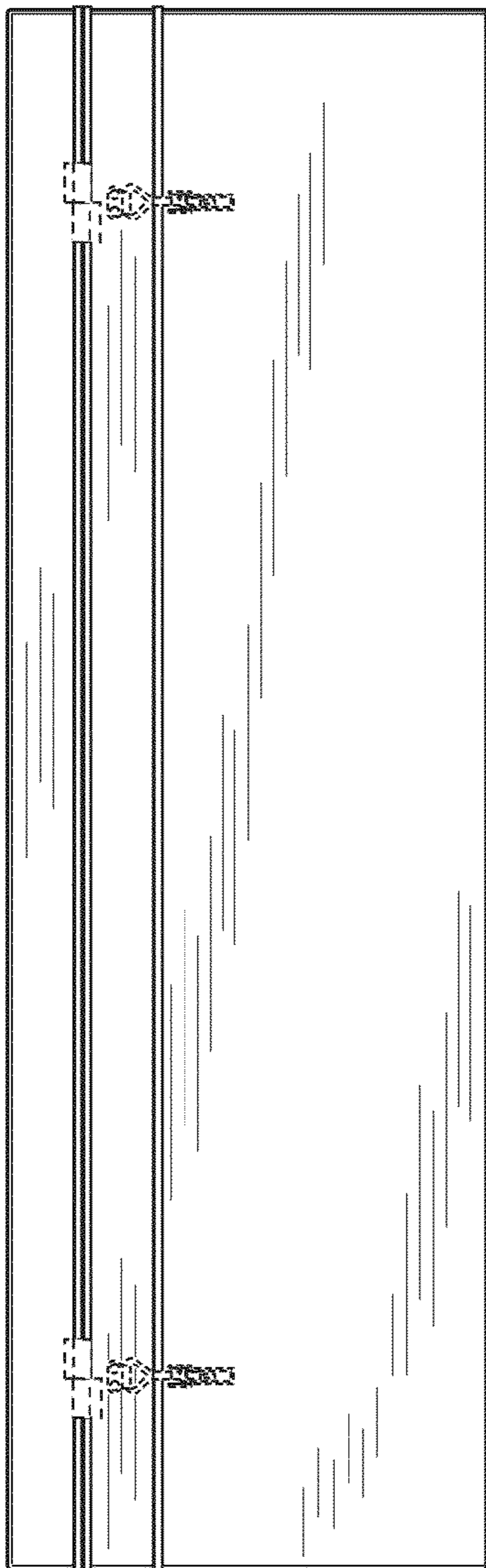


FIG. 5

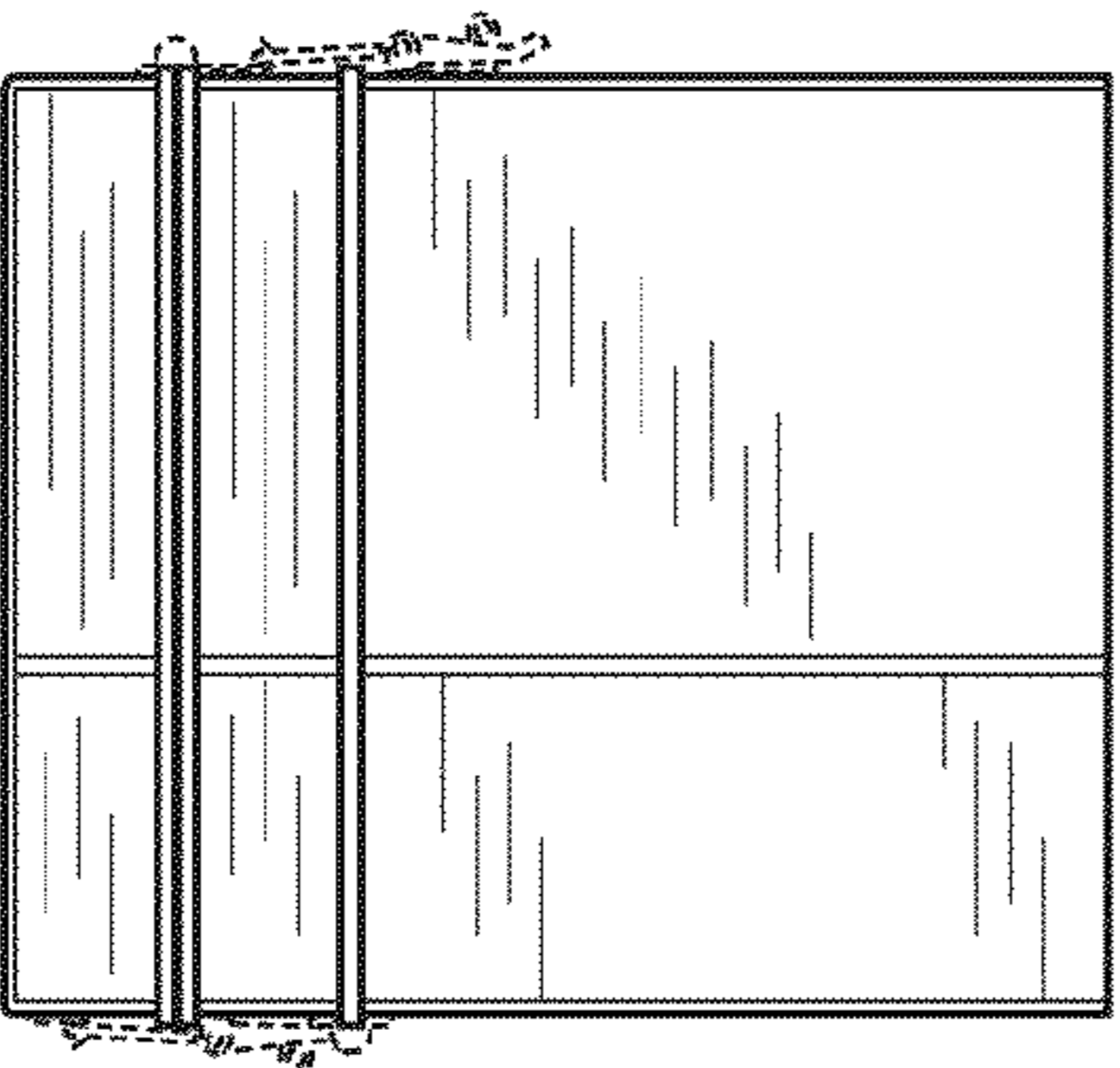


FIG. 6

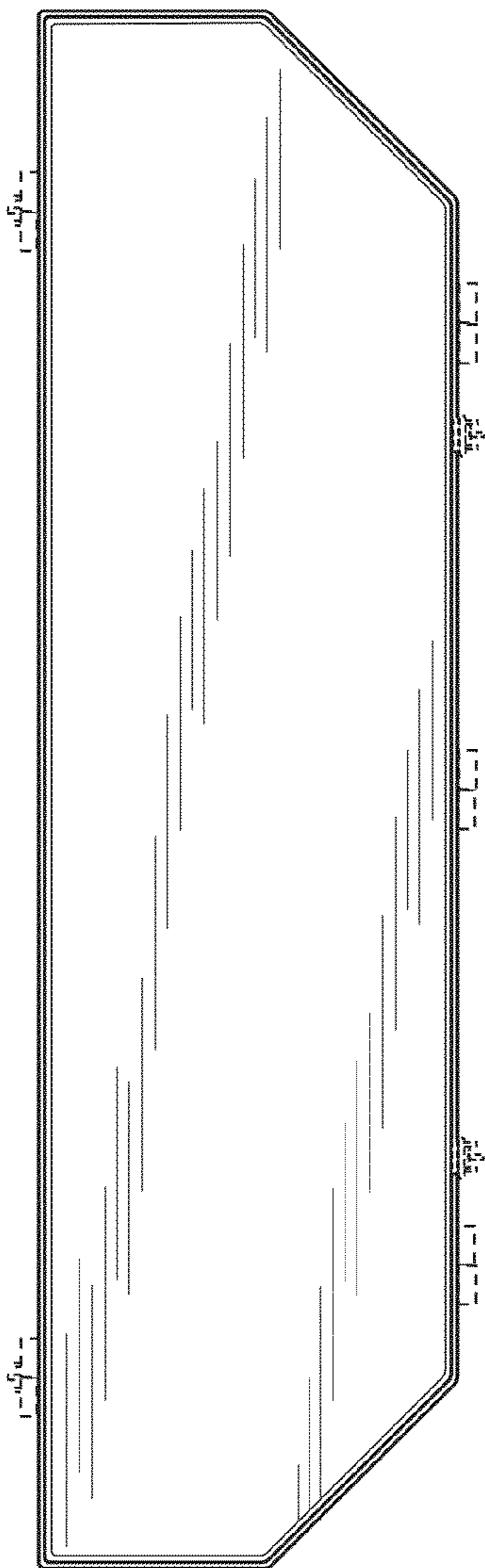


FIG. 7

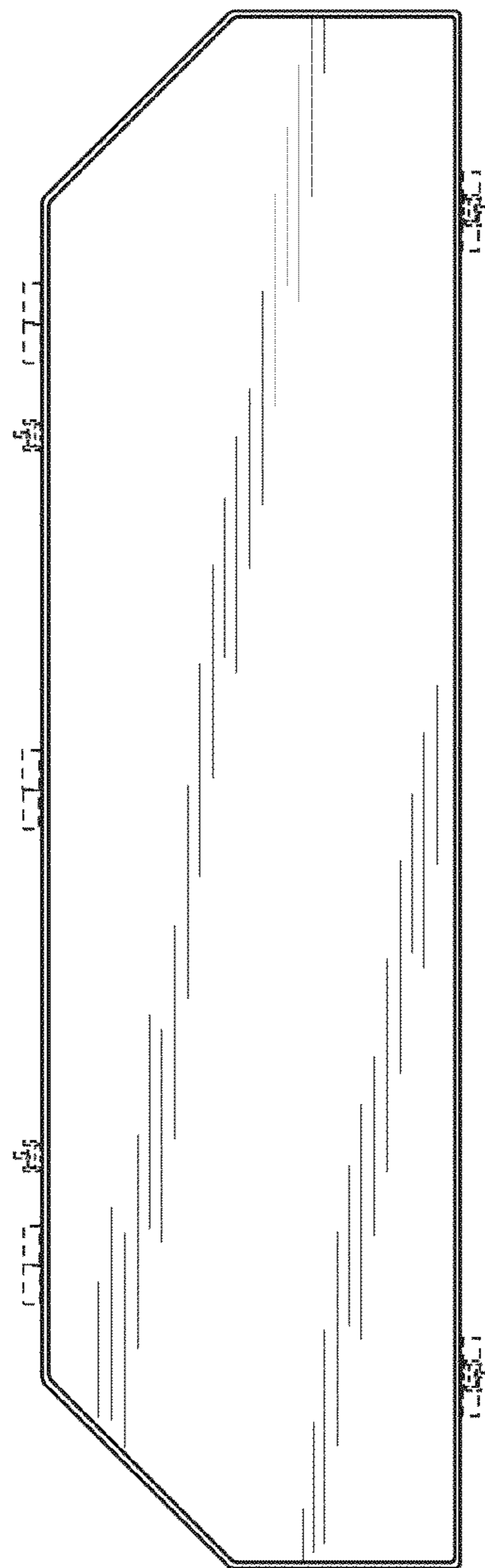


FIG. 8

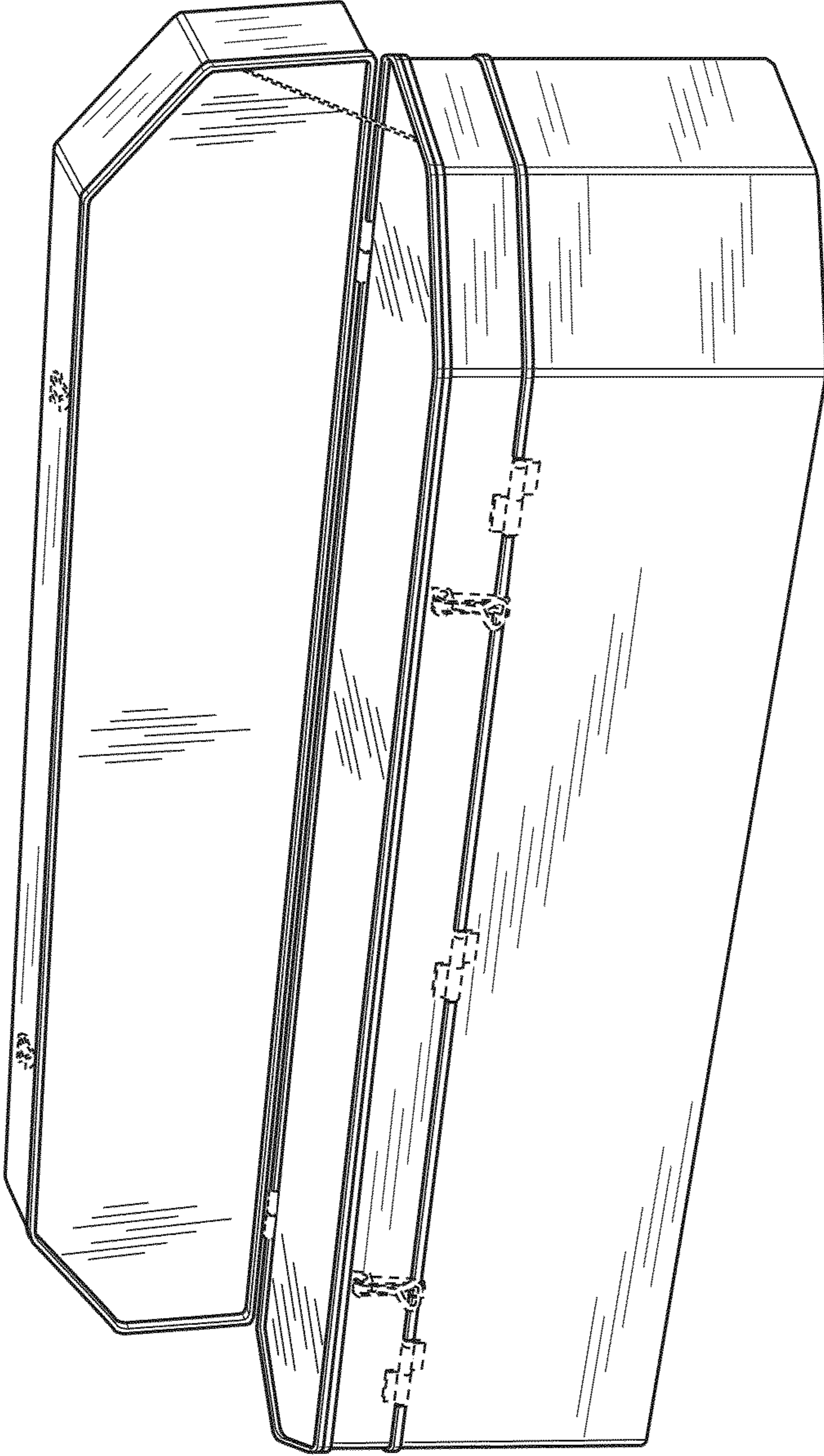


FIG. 9

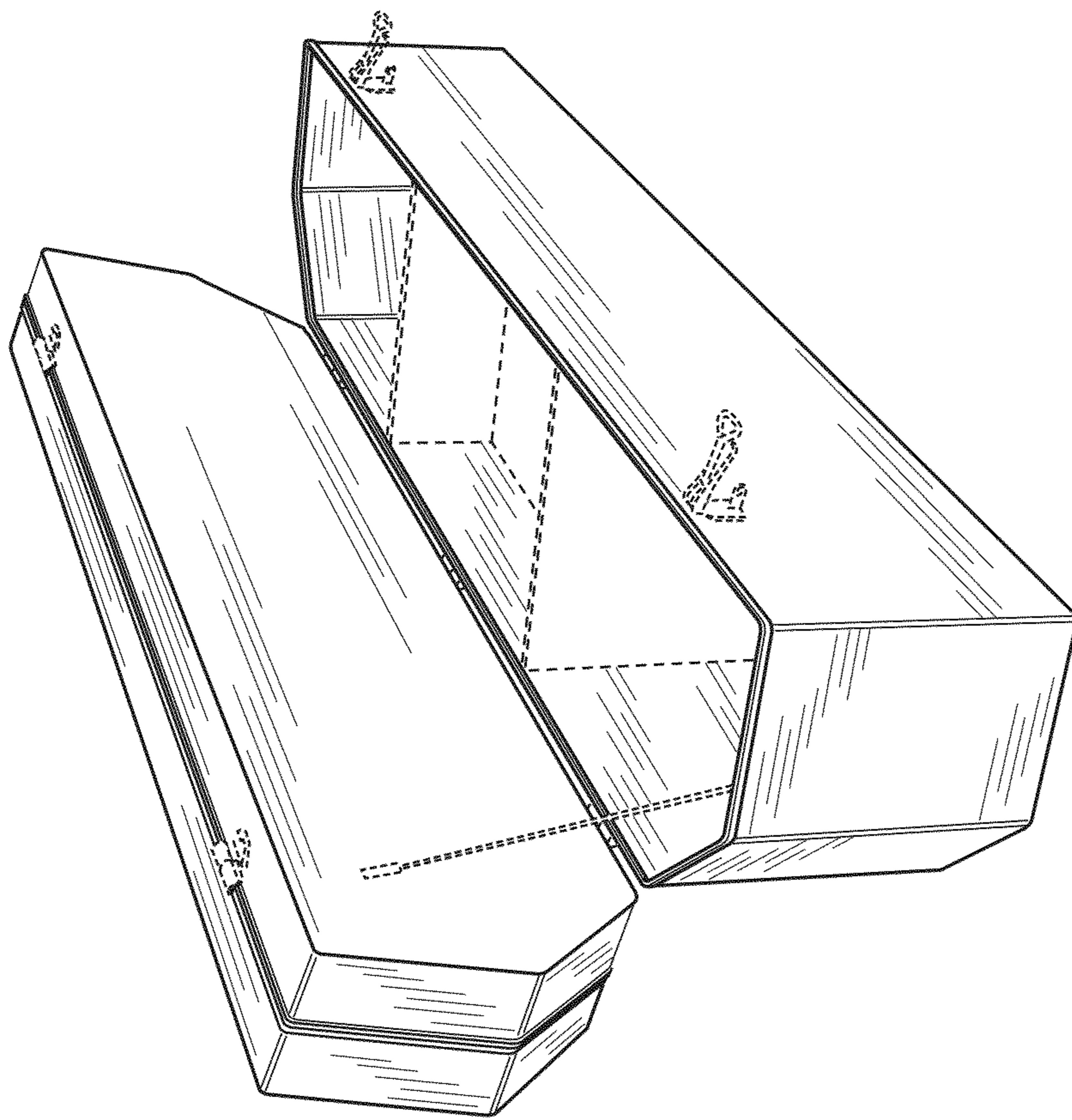


FIG. 10