



US00D690643S

(12) **United States Design Patent**  
**Kern**

(10) **Patent No.:** **US D690,643 S**

(45) **Date of Patent:** **\*\* Oct. 1, 2013**

(54) **FRONT FACE OF A VEHICLE WHEEL**

(71) Applicant: **Vossen Wheels**, Miami, FL (US)

(72) Inventor: **Steven Kern**, Miami Beach, FL (US)

(73) Assignee: **Vossen Wheels**, Miami, FL (US)

(\*\*) Term: **14 Years**

(21) Appl. No.: **29/435,702**

(22) Filed: **Oct. 26, 2012**

(51) **LOC (9) Cl.** ..... **12-16**

(52) **U.S. Cl.**  
USPC ..... **D12/211**

(58) **Field of Classification Search**  
USPC ..... D12/204–213; 301/37.101, 64.101,  
301/65, 64.201

See application file for complete search history.

(56) **References Cited**

**U.S. PATENT DOCUMENTS**

D410,618 S *	6/1999	Hussaini et al.	.....	D12/211
D515,003 S *	2/2006	Echazabal	.....	D12/211
D542,211 S *	5/2007	Hieke	.....	D12/211
D553,550 S *	10/2007	Tirado	.....	D12/211
D596,100 S *	7/2009	Aroney	.....	D12/211
D596,549 S *	7/2009	Varga	.....	D12/211

D605,999 S *	12/2009	Stopp	.....	D12/211
D619,073 S *	7/2010	Groom	.....	D12/211
D622,200 S *	8/2010	Zhao	.....	D12/211
D630,567 S *	1/2011	Ettensberger	.....	D12/211
D634,252 S *	3/2011	Johnson	.....	D12/211
D635,906 S *	4/2011	Futschik et al.	.....	D12/211
D649,104 S *	11/2011	Gallert	.....	D12/211
D649,922 S *	12/2011	Hans et al.	.....	D12/211
D656,078 S *	3/2012	Hans et al.	.....	D12/211
D656,879 S *	4/2012	Gallert	.....	D12/211
D659,071 S *	5/2012	Hale, Jr.	.....	D12/211
D670,633 S *	11/2012	Kato et al.	.....	D12/211
D676,795 S *	2/2013	Wachter	.....	D12/211

\* cited by examiner

*Primary Examiner* — Stacia Cadmus

(74) *Attorney, Agent, or Firm* — Berenato & White, LLC

(57) **CLAIM**

The ornamental design for a front face of a vehicle wheel, as shown and described.

**DESCRIPTION**

FIG. 1 is a perspective view of a front face of a vehicle wheel, showing my new design; and, FIG. 2 is a front view thereof.

The broken line showing of the rear portion of the wheel is included for the purpose of illustrating environment and forms no part of the claimed design.

**1 Claim, 2 Drawing Sheets**

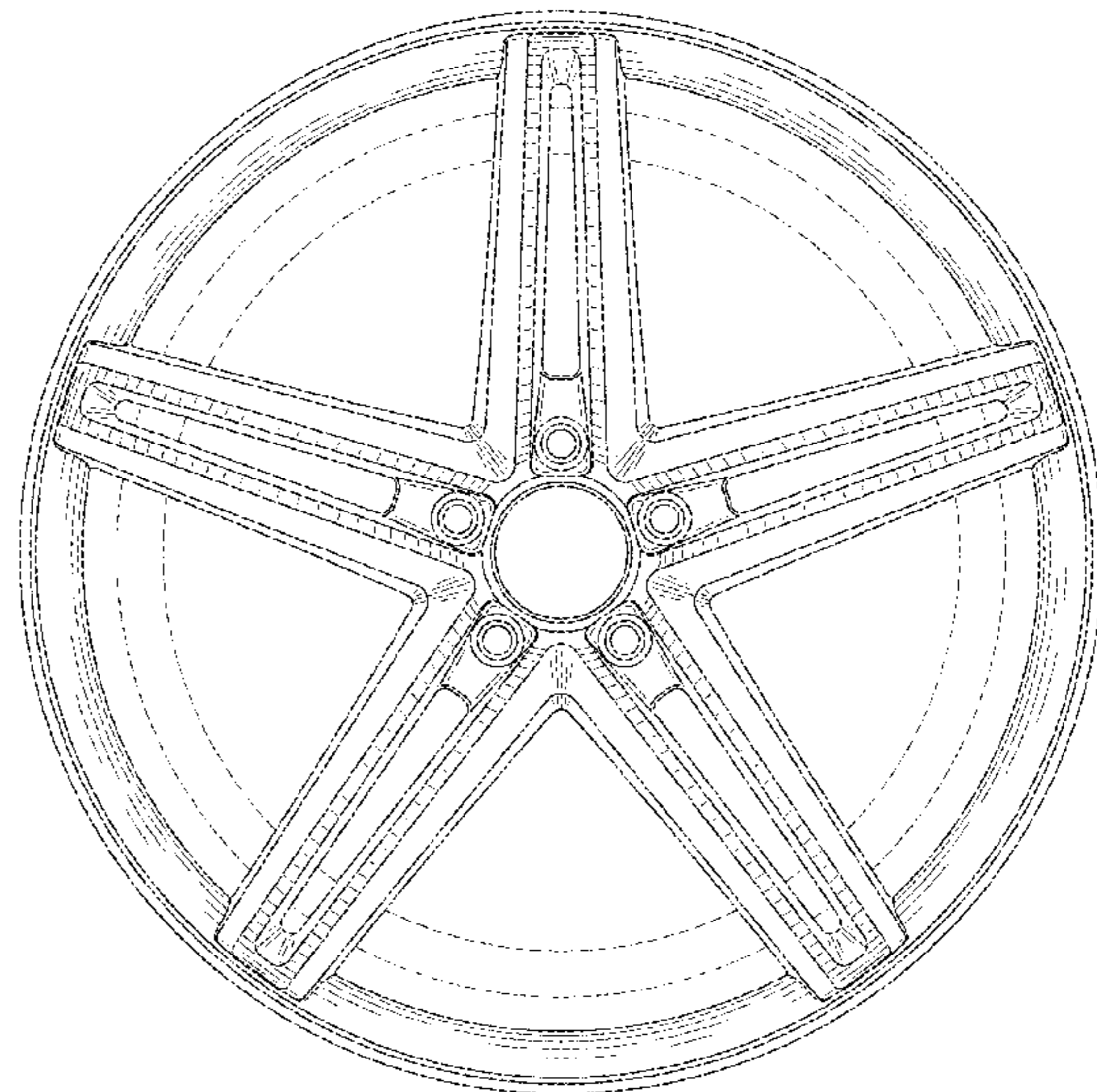
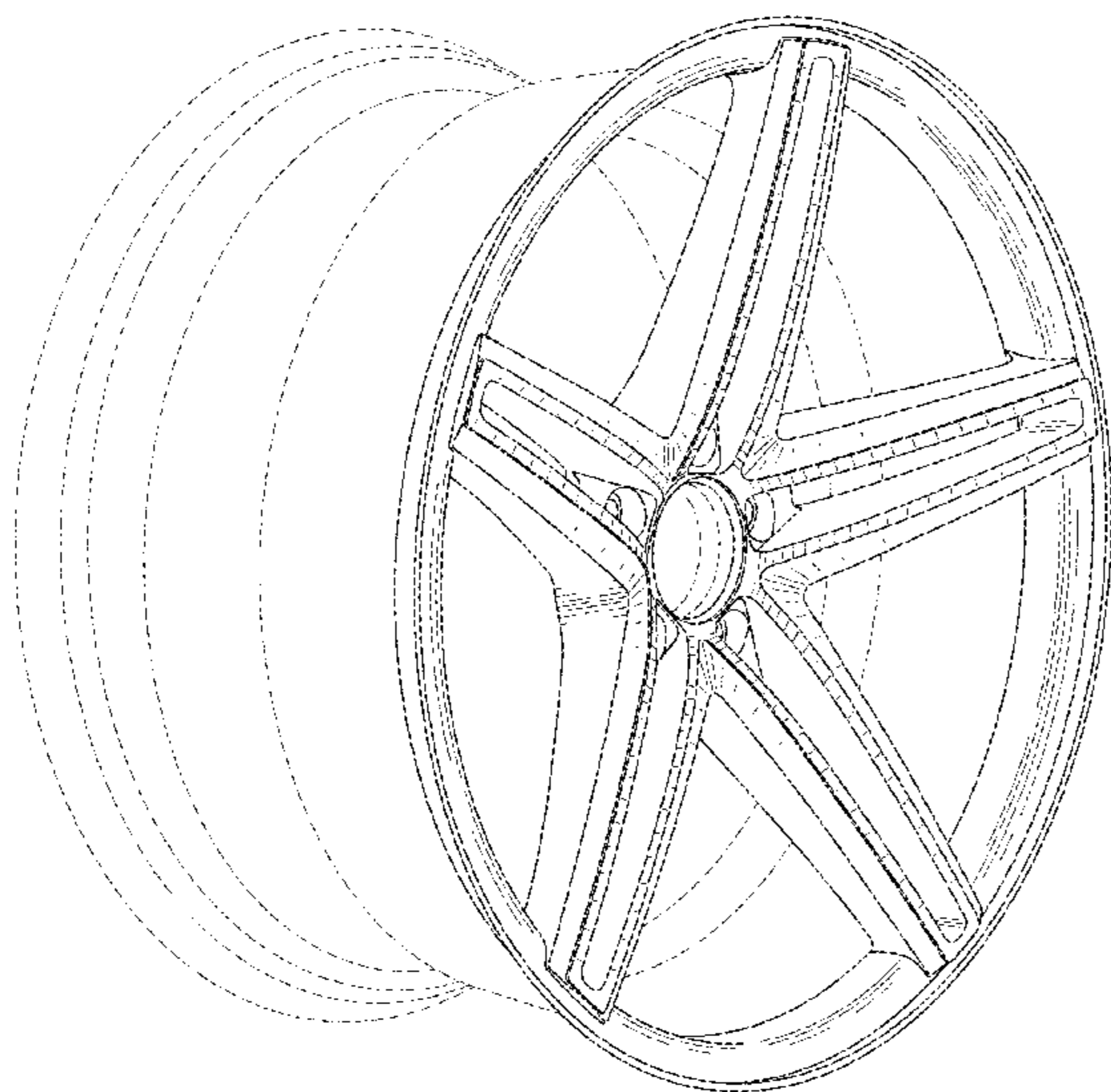


Fig. 1

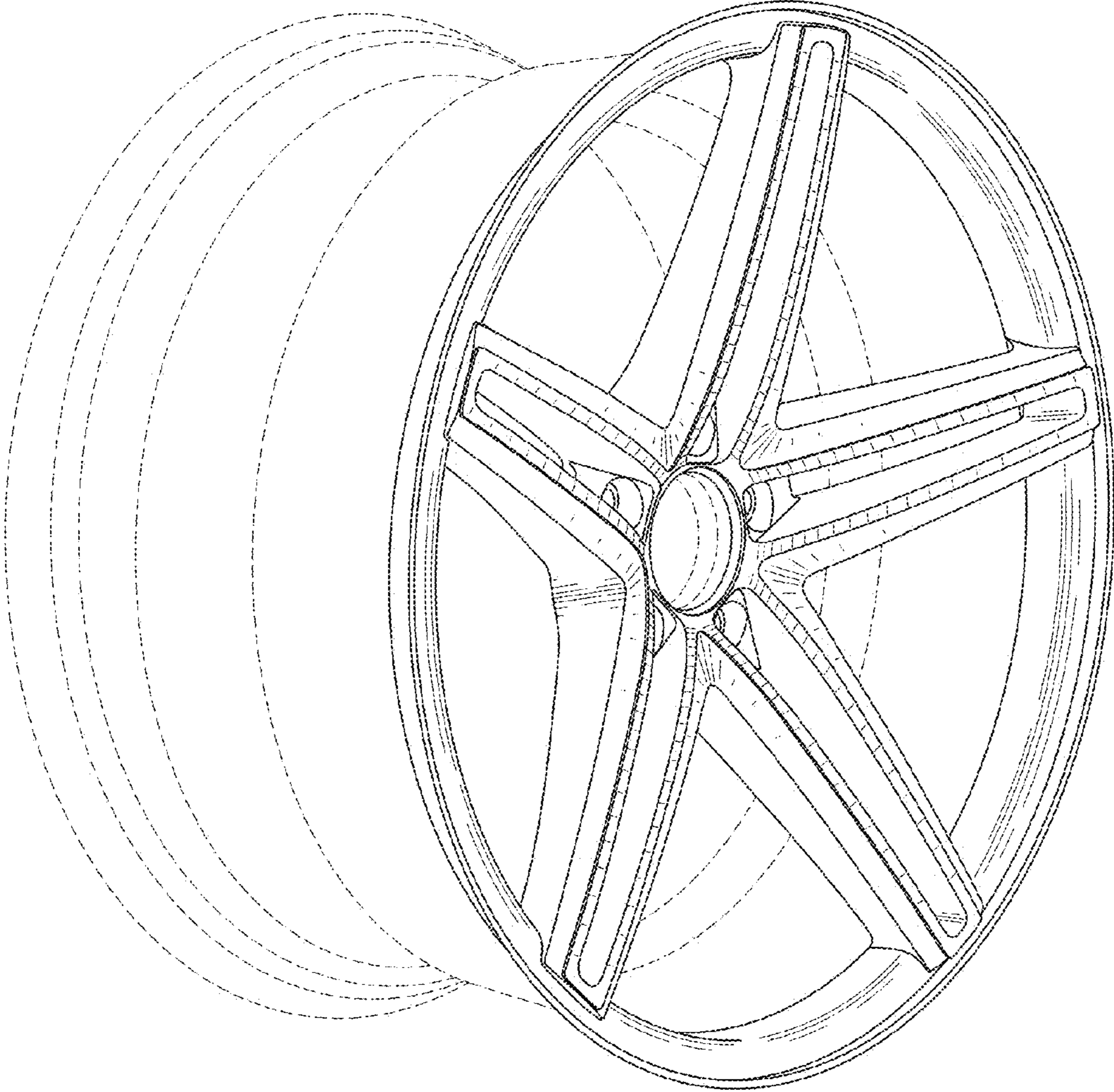




Fig. 2

